

# Installation and Operating Manual

## AGVF340



MAY BE INSTALLED IN A SOLID FUEL BURNING FIREPLACE, AS A  
FREESTANDING FIREPLACE, AS A ZERO CLEARANCE FIREPLACE OR  
WITH AN OPTIONAL WOODEN SURROUND



Certified for installations in the USA  
Approved for installation in mobile homes

**WARNING: IF THE INFORMATION IN THIS MANUAL IS NOT FOLLOWED EXACTLY, A FIRE OR EXPLOSION MAY RESULT CAUSING PROPERTY DAMAGE, PERSONAL INJURY OR LOSS OF LIFE.**

- Do not store or use gasoline or other flammable vapors and liquids in vicinity of this or any other appliance.

WHAT TO DO IF YOU SMELL GAS:

- Do not try to light any appliance.
- Do not touch any electrical switch; do not use any phone in your building.
- Immediately call your gas supplier from a neighbor's phone. Follow gas supplier's instructions
- If you cannot reach your gas supplier, call fire department.
- Installation and service must be performed by a qualified installer, service agency or gas supplier.

This is an unvented gas-fired heater. It uses air (oxygen) from room in which it is installed. Provisions for adequate combustion and ventilation air must be provided. Refer to section, "Producing Adequate Air For Combustion And Ventilation". This appliance may be installed in an aftermarket, permanently located, manufactured (mobile) home, where not prohibited by local codes. This appliance is only for use with type of gas indicated on rating plate. This appliance is not convertible for use with other gases.

INSTALLER: Leave this manual with appliance.  
CONSUMER: Retain this manual for future reference.

This appliance may be installed in an aftermarket, permanently located, manufactured (mobile) how, where not prohibited by local codes.

This appliance is intended for supplemental heating.

This appliance is only for use with the type of gas indicated on the rating plate. This appliance is not convertible for use with other gases.

# SECTION I

**IMPORTANT: READ THIS OWNER'S MANUAL CAREFULLY AND COMPLETELY BEFORE TRYING TO ASSEMBLE, OPERATE, OR SERVICE APPLIANCE. IMPROPER USE OF THESE LOGS CAN CAUSE SERIOUS INJURY OR DEATH FROM BURNS, FIRE, EXPLOSION AND CARBON MONOXIDE POISONING.**

**IMPORTANT: VENT-FREE HEATERS ADD MOISTURE TO AIR. ALTHOUGH THIS IS BENEFICIAL, INSTALLING HEATER IN ROOMS WITHOUT ADEQUATE VENTILATION MAY CAUSE MILDEW TO FORM FROM TOO MUCH MOISTURE.**

**WARNING:  
"ANY CHANGE TO THIS HEATER OR ITS CONTROLS CAN BE DANGEROUS."**

## SAFETY INFORMATION WARNINGS

- NOTE: When burning any unit or appliance that combusts fuel for heat, such as coal, oil, wood or natural and (L.P.) liquid petroleum gas, we highly recommend use of smoke and carbon monoxide detectors in your home.

Early signs of carbon monoxide poisoning resemble flu, with headaches, dizziness and/or nausea. If you have these signs, heater may not be working properly. Get fresh air at once!

## HAVE HEATER SERVICED

Some people-pregnant women, persons with heart or lung disease, anemia, those under influence of alcohol and those at high altitudes-are more affected by carbon monoxide than others.

**CAUTION: Strong drafts, such as a ceiling fan placed directly in front of heater (pulling from either direction) may create sooting. Sooting will discolor walls.**

- The installation must conform with local codes or in the absence of local codes, with National Fuel Gas Code, ANSI Z223.1/NFPA54.
- NOTE: See Section VIII, "Producing Adequate Air For Combustion And Ventilation."
  - Never install this heater:
  - In a recreational vehicle, bathroom, bedroom or any other sleeping quarters.
  - Where curtains, furniture, clothing or other flammable objects are less than 42" from front of heater
  - In high traffic areas or in windy areas
- Two models are available. One specific model for propane (LP) and one for natural gas. Use the correct type gas for your home. Do not convert from one gas type to another.
- If this heater is used with propane gas, do not place propane supply tank(s) inside any structure.
- What To Do IF You Smell Gas:
  - Shut off gas supply.
  - Do not try to light any appliance.
  - Do not touch any electrical switch; do not use any phone in your building.
  - Immediately call your gas supplier from a neighbor's phone. Follow gas supplier's instructions.
  - If you cannot reach your gas supplier, call fire department.
- When operated for first time, logs may emit a "paper burning" smell. This smell will gradually diminish and will be totally eliminated after first few hours of operation. Run gas logs with flue damper open during this time. Do not use blower at this time.

Note: Register your product on line at [www.usstove.com](http://www.usstove.com). See "Limited Warranty" section for specific warranty information for your new purchase. Save your receipt with your records for any claims.

7. "This heater shall not be installed in unusually tight construction unless provisions are provided for adequate combustion and ventilation air." See "Producing Adequate Air For Combustion And Ventilation"
8. Surface of gas logs becomes very hot when operating. Keep children and adults away from hot surface. Gas logs will remain hot for sometime after shutdown. Allow surface to cool before touching.
9. Do not place clothing or other flammable material on or near appliance.
10. If equipped, fresh air damper must be closed.
11. Keep appliance area clean and free from combustible materials, gasoline and other flammable vapors and liquids.
12. If burner shuts off, do not relight until you provide fresh outside air. If burner continues to shut off, have unit serviced.
13. Do not use this heater if any part has been under water. Immediately call a qualified service technician to inspect room heater and to replace any part of control system and any gas control which has been under water.
14. Turn off heater and let cool before servicing.
15. These logs are made of bonded fiber. When removing logs and base, do not damage the bonded material. If material is damaged extensively, loose fiber dust could be emitted into air.
16. Any safety screen or guard removed for servicing an appliance must be replaced prior to operating heater.
17. This appliance is intended for supplemental heating.
18. **"WARNING: Any change to this heater or its controls can be dangerous."**
19. Installation and repairs should be performed by a qualified service person. The appliance should be inspected before use and at least annually by a professional service person. More frequent cleaning may be required due to excessive lint from carpeting, bedding material, etc. It is imperative that control compartments, burners and circulating air passageways of appliance be kept clean.
20. All heater screens must be kept closed when operating gas logs.
21. "WARNING: Failure to keep primary air opening (s) of the burner (s) clean may result in soot and property damage."
22. Do not use this heater for burning trash or cooking. Never place matches, paper, garbage or any other material on top of logs or into the flames.
23. Do not install or operate this heater in areas where impurities in air exist (such as tobacco smoke or heavy cooking grease). Particles from impurities may discolor walls.
24. Due to high temperatures, appliance should be located out of traffic and away from furniture and draperies.
25. Children and adults should be alerted to hazards of high surface temperature and should stay away to avoid burns or clothing ignition.
26. Young children should be carefully supervised when they are in same room with appliance.
27. An unvented room heater having an input rating of more than 10,000 Btu per hour shall not be installed in a bedroom or bathroom.
28. The appliance and its appliance main gas valve must be disconnected from gas supply piping system during any pressure testing of that system at test pressure in excess of 1/2 psi (3.5 kPa).
29. The appliance must be isolated from gas supply piping system by closing its equipment shutoff valve during any pressure testing of gas supply piping system at test pressures equal to or less than 1/2 psi (3.5 kPa).
30. "WARNING: Do not allow fans to blow directly into fireplace. Avoid any drafts that alter burner flame patterns."
31. "WARNING: Do not use a blower insert, heat exchanger insert or other accessory not approved for use with this heater."
32. A fireplace screen must be in place when appliance is operating and unless other provisions for combustion air are provided, screen shall have an opening (s) for introduction of combustion air.

## SECTION II

### SAFETY INFORMATION WARNINGS

The fireplace needs to be prepared before installing heater.

A. Turn off the gas supply to fireplace.

**“WARNING: BEFORE INSTALLING IN A SOLID-FUEL BURNING FIREPLACE, CHIMNEY FLUE AND FIREBOX MUST BE CLEANED OF SOOT, CREOSOTE, ASHES AND LOOSE PAINT BY A QUALIFIED CHIMNEY CLEANER.”**

**“WARNING: DO NOT ALLOW FANS TO BLOW DIRECTLY INTO FIREPLACE. AVOID DRAFTS THAT ALTER BURNER FLAME PATTERNS.”**

**“WARNING: DO NOT USE A BLOWER INSERT, HEAT EXCHANGER INSERT OR OTHER ACCESSORIES NOT APPROVED FOR USE WITH THIS HEATER.”**

**“WARNING: ANY OUTSIDE AIR DUCTS AND/OR ASH DUMPS IN FIREPLACE SHALL BE PERMANENTLY CLOSED AT TIME OF APPLIANCE INSTALLATION.”**

B. Read the following sections before installing your unit; Section III, Installation In A Solid-Fuel Burning Fireplace and Section VIII, Producing Adequate Air For Combustion And Ventilation.

**“WARNING: CUTTING ANY SHEET-METAL PARTS OF SOLID FUEL BURNING FIREPLACE OR LISTED VENTLESS FIREBOX ENCLOSURE IN WHICH UNVENTED FIREPLACE INSERT IS TO BE INSTALLED IS PROHIBITED.”**

**NOTE:** “IF FACTORY BUILT FIREPLACE HAS NO GAS ACCESS HOLE(S) PROVIDED, AN ACCESS HOLE OF 1.5 inch (37.5mm) DIAMETER OR LESS MAY BE DRILLED THROUGH LOWER SIDES OR BOTTOM OF FIREBOX IN A PROPER WORKMANLIKE MANNER. THIS ACCESS HOLE MUST BE PLUGGED WITH NON-COMBUSTIBLE INSULATION AFTER GAS SUPPLY LINE HAS BEEN INSTALLED.” REFRACTORY, GLASS DOORS, SCREEN RAILS, SCREEN MESH AND SOLID-FUEL LOG GRATES (IF APPLICABLE) CAN BE REMOVED FROM FIREPLACE BEFORE INSTALLING UNVENTED FIREPLACE INSERT.

# INSTALLATION AND CLEARANCES

To ensure a safe installation into a masonry or factory built fireplace, following instructions must be carefully followed:

1. Sidewall Clearances:  
Clearance from side of fireplace opening to any adjacent combustible wall should not be less than: right side 7", left side 7".
2. Ceiling Clearances:  
The ceiling height should not be less than 24" from top of fireplace opening.
3. Mantel Clearances:  
Clearances from top of heater to mantel or mantel supports should not be less than 20".

NOTE: See following sections for installation options: Section III, Installation In A Solid-Fuel Burning Fireplace and Section IV, Installation With Optional Wooden Mantel and Section V, Zero Clearance Installation.

**WARNING: ANY CHANGE TO THIS HEATER OR ITS CONTROLS CAN BE DANGEROUS.**

## GAS CONNECTION

Check gas type. Use only type of gas indicated on valve rating plate. If type of gas listed on plate is not your type of gas supply, DO NOT INSTALL. Contact your dealer for proper model. Always use an external regulator for all LP heaters to reduce supply tank pressure to a maximum of 13" W.C. This is in addition to regulator furnished with heater.

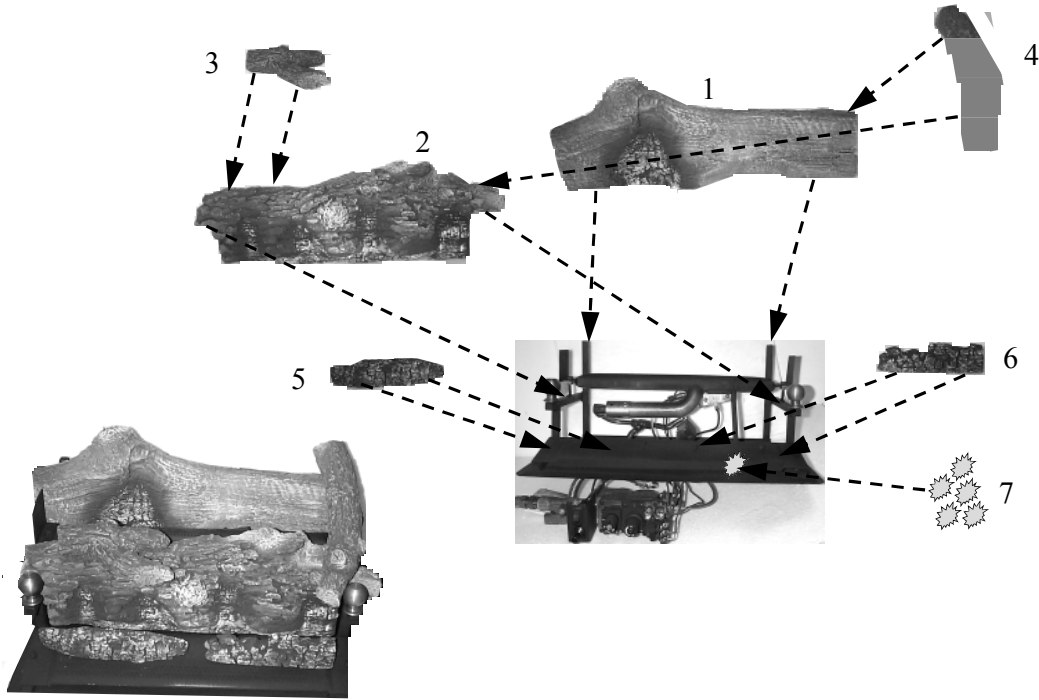
**WARNING:  
CONNECTION DIRECTLY TO AN UNREGULATED LP TANK CAN CAUSE AN EXPLOSION.**

Normal gas connection is 3/8" N.P.T. made at left rear side of appliance (facing front of appliance).

NOTE: The connecting pipe must be internally tinned copper tubing for use with natural gas. Test for leaks using a solution of soap and water after completing the connection. DO NOT USE OPEN FLAME.

**WARNING: INSTALLATION AND REPAIRS SHOULD BE PERFORMED BY A QUALIFIED SERVICE PERSON. APPLIANCE SHOULD BE INSPECTED BEFORE USE AND AT LEAST ANNUALLY BY A PROFESSIONAL SERVICE PERSON. MORE FREQUENT CLEANING MAY BE REQUIRED DUE TO EXCESSIVE LINT FROM CARPETING, BEDDING. MATERIAL, ETC. IT IS IMPERATIVE THAT CONTROL COMPARTMENTS, BURNERS AND CIRCULATING AIR PASSAGEWAYS OF APPLIANCE BE KEPT CLEAN.**

# LOG SET PLACEMENT



**WARNING: FAILURE TO POSITION PARTS IN ACCORDANCE WITH THESE DIAGRAMS OR FAILURE TO USE ONLY PARTS SPECIFICALLY APPROVED WITH THIS HEATER MAY RESULT IN PROPERTY DAMAGE OR PERSONAL INJURY.**

WARNING: POSITIONING OF LOGS IS VERY CRITICAL (SEE DIAGRAM ABOVE)

(1) Rear Log, (2) Middle Log, (3) Left Top Middle Log, (4) Right Top Middle Log (5), Left Front Log (6), Right Front Log (7), Glowing Embers in front of 5 & 6 logs. **IMPORTANT:** Place log five on the left and log six on the right. If they are not properly installed they will be loose and may cause damage to the appliance.

WARNING: POSITIONING OF LOGS IS VERY CRITICAL (See Figure Above).

1. Place rear log #1 on rear log supports. The log has alignment notches on each rear corner.
2. Place Middle log #2 in front of rear burner tube and then move log forward. The log should seat just behind brass knob (s), located in middle section of base between rear burner tube and front burner pan.
3. Place Left Top Middle log #3 on pins located on left top section of Middle log #2.
4. Place Right Top Middle log #4 on pin located on right top section of Middle log #2 and align notch on right side #4 with side shield on right.
5. Place Left Front log #5 on locator pins located on left middle section of front burner pan.
6. Place Right Front log #6 on locator pins located on right middle section of front burner pan.
7. Provided with your log set is a package of Glowing Embers (rock wool). Open package and tear off small pieces of wool material and place it over small holes (ports) located on front burner pan in front of logs #5 and #6. Cover entire section of holes (ports).

\*Replacement of loose (Glowing Embers) must be purchased from the original manufacturer and application of excess loose material may adversely affect performance of heater.

NOTE: "Wash your hands immediately after coming in contact with wool material. The wool can cause slight itching or burning in some cases, avoid any contact with eyes."

"WARNING: All previously applied loose material must be removed prior to replacement."

# GAS PRESSURE CHECK

Check inlet pressure to burner to ensure that it is as shown in table below.

NOTE: The pressure check point is located on the right side of valve facing burner, for SIT Millivolt.

Appliance and its appliance main gas valve must be disconnected from the gas supply piping system during any pressure testing of that system at test pressures in excess of 1/2 psi (3.5kPa). Appliance must be isolated from gas supply piping system by closing its equipment shut-off valve during any pressure testing of gas supply piping system at test pressures equal to or less than 1/2 psi (3.5 kPa).

Gas Type		Natural	LP
Maximum Heat Input		33,000	33,000
Minimum Heat Input		23,000	23,000
Gas Inlet Pressure	Maximum	10.5" W.C.	13" W.C.
	Minimum	5.0" W.C.	11" W.C.
Manifold Pressure	Maximum	3.5" W.C.	9.0" W.C.
	Minimum	3.0" W.C.	8.2" W.C.

NOTE: On initial installation it may be necessary to bleed out air in the gas lines. Do this by holding the control knob and turning the knob to the "PILOT" position for about 30 seconds. To check the regulator pressure, remove the pressure tag plug at the left side of the regulator facing the heater. The pressure should be checked with the heater burning and the control set on high. After measuring the pressure, replace the pressure tap plug, ensuring that there are no leaks.

- For the purpose of minimum input adjustment.

**WARNING: THIS APPLIANCE IS EQUIPPED FOR (NATURAL OR PROPANE) GAS. FIELD CONVERSION IS NOT PERMITTED.**

Solid fuels shall not be burned in the same fireplace where an unvented room heater has been installed.

NOTE: The following label has been provided with this appliance and must be read and then attached to floor of the fireplace or firebox area beneath the appliance. The label is a peel and stick label. Make sure the area is cleaned before attaching label to it.

**"WARNING: THIS SOLID-FUEL BURNING FIREPLACE OR LISTED VENTLESS ENCLOSURE HAS BEEN CONVERTED FOR USE WITH AN UNVENTED FIREPLACE INSERT ONLY. A SOLID-FUEL BURNING FIREPLACE CANNOT BE USED FOR BURNING WOOD OR SOLID FUELS UNLESS ALL ORIGINAL PARTS HAVE BEEN REPLACED AND FIREPLACE RE-APPROVED BY THE AUTHORITY HAVING JURISDICTION. A VENTLESS FIREBOX ENCLOSURE CANNOT BE USED WITH AN UNVENTED GAS LOG UNLESS ALL ORIGINAL PARTS HAVE BEEN REPLACED AND VENTLESS FIREBOX ENCLOSURE REAPPROVED BY AUTHORITY HAVING JURISDICTION."**



# OPERATING INSTRUCTIONS

Before operating this appliance, proceed through following checklist.

1. Read and understand these instructions before operating this appliance.
2. Check that there are no gas leaks. If you smell gas do not attempt to light this appliance.
3. Verify that log placement is correct.

## **WARNING:**

**ANY CHANGE TO THIS HEATER OR ITS CONTROLS CAN BE DANGEROUS.**

**WARNING: IF YOU DO NOT FOLLOW THESE INSTRUCTIONS EXACTLY, A FIRE OR EXPLOSION MAY RESULT CAUSING PROPERTY DAMAGE, PERSONAL INJURY OR LOSS OF LIFE.**

## LIGHTING INSTRUCTIONS SIT-MILLIVOLT VALVE FOR YOUR SAFETY READ BEFORE LIGHTING

- A. When lighting pilot follow these instructions exactly. If piezo fails, then light pilot using matches. Refer to Manual Lighting Instructions.
- B. BEFORE LIGHTING smell all around appliance area for gas. Be sure to smell next to floor because some gas is heavier than air and will settle to floor.

## WHAT TO DO IF YOU SMELL GAS

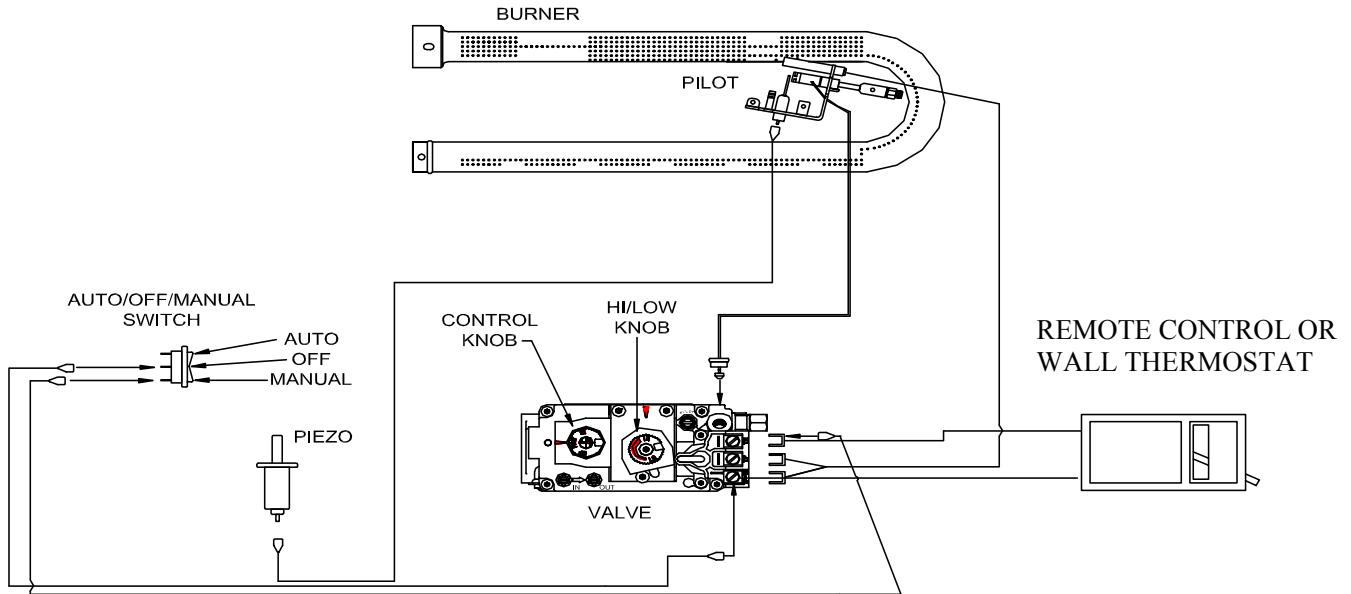
- Do not try to light any appliance.
  - Do not touch any electric switch; do not use any phone in your building.
  - Immediately call your gas supplier from a neighbor's phone. Follow gas supplier's instructions.
  - If you cannot reach your gas supplier, call fire department.
- C. Use only your hand to push in or turn gas knob. Never use tools. If knob will not push in or turn by hand, don't try to repair it. Call a qualified service technician. Force or attempted repair may result in a fire or explosion.
  - D. Do not use this appliance if any or part of it has been under water. Immediately call a qualified service technician to inspect the appliance and to replace any part of the control system and any gas control which has been under water.

**WARNING: FIREPLACE SCREENS MUST BE CLOSED WHILE THE APPLIANCE IS IN OPERATION.**



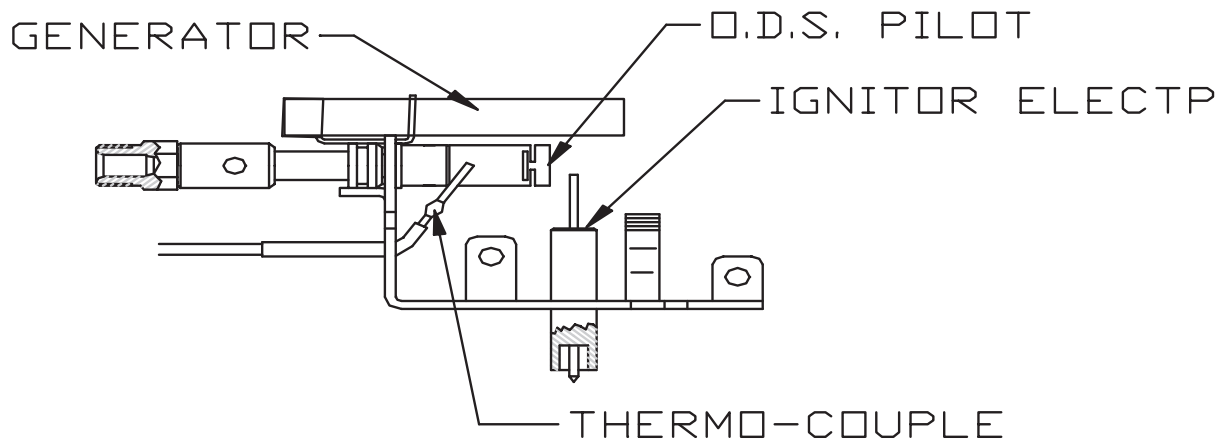
# LIGHTING INSTRUCTIONS

1. STOP! Read the safety information on reverse side of this label.
2. Make sure manual shutoff valve is fully closed. If equipped with thermostat, set to lowest setting.
3. Turn off all electrical power to appliance.
4. Open access door located at bottom of front of appliance.
5. Push in gas control knob slightly and turn clockwise to full "OFF" position.



NOTE: Knob cannot be turned from "PILOT" to "OFF" unless knob is pushed in slightly. Do not force.

6. Wait (5) five minutes to clear out any gas. Then smell for gas, including near the floor. If you smell gas, STOP! Follow "B" in the safety information section of this manual. If you don't smell gas, go to the next step.
  7. Find Pilot: The pilot is located in front of rear log and burner on right hand side of appliance. Fully open manual shutoff valve.
  8. Press in and turn knob on gas control counterclockwise to "PILOT" and continue pressing in knob for (15) fifteen seconds.
  9. With control knob pressed in push down (in) and release ignitor button (ignitor button is located on front left hand side of appliance). This will light pilot. If needed, keep repeating this step until pilot lights.
  10. Keep control knob pressed in for (1) one minute after lighting pilot. After (1) minute, release control knob and it will pop back up. Pilot should remain lit. If pilot goes out, repeat steps 1 through 9.
- If knob does not pop up when released, stop and immediately call your service technician or gas supplier.
  - If pilot will not stay lit after several tries, turn the gas control knob to "OFF" and call your services technician or gas supplier.



11. Turn control knob counterclockwise to "ON".
12. If using the unit without a wall thermostat place the Off/Manual (Off/Man) switch into the manual position. If using a wall thermostat place Auto/Off /Manual (Man) switch to Auto or Off position and place thermostat to a setting higher than room temperature.
13. Close access cover door.
14. "Turn on all electrical power to appliance."
15. Your heater is equipped with a HI & LO control. Turn clockwise for Low and counterclockwise for High.

**CAUTION:**  
**DO NOT TRY TO ADJUST HEATING LEVELS BY USING MANUAL SHUTOFF VALVE.**

TO TURN OFF GAS TO APPLIANCE

SHUTTING OFF UNIT

1. Open access cover door.
2. If equipped with thermostat set to lowest setting.
3. Turn control knob clockwise to full "OFF".
4. Turn off all electric power to appliance if service is to be performed.
5. Close access cover door

SHUTTING OFF BURNER ONLY (Pilot stays lit.)

Turn control knob clockwise to "PILOT" position.

CAUTION: Hot while in operation. Do Not Touch. Keep children, clothing, furniture, gasoline and other liquids having flammable vapors away.

CAUTION: DO NOT TRY TO ADJUST HEATING LEVELS BY USING MANUAL SHUTOFF VALVE.

WARNING: Improper installation, adjustment, alteration, service or maintenance can cause property damage, personal injury or loss of life. Refer to owner's information manual provided with this appliance. Installation and service must be performed by a qualified installer, service agency or gas supplier.

IMPORTANT: Always operate appliance at completely "ON" or completely "OFF" positions. Never use heater at a setting between these positions as this can result in improper combustion and excessive carbon monoxide emissions.

# MANUAL LIGHTING PROCEDURE

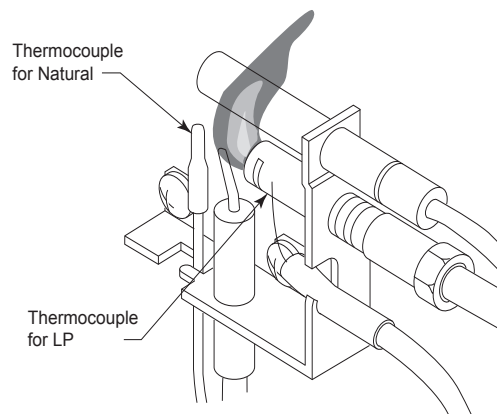
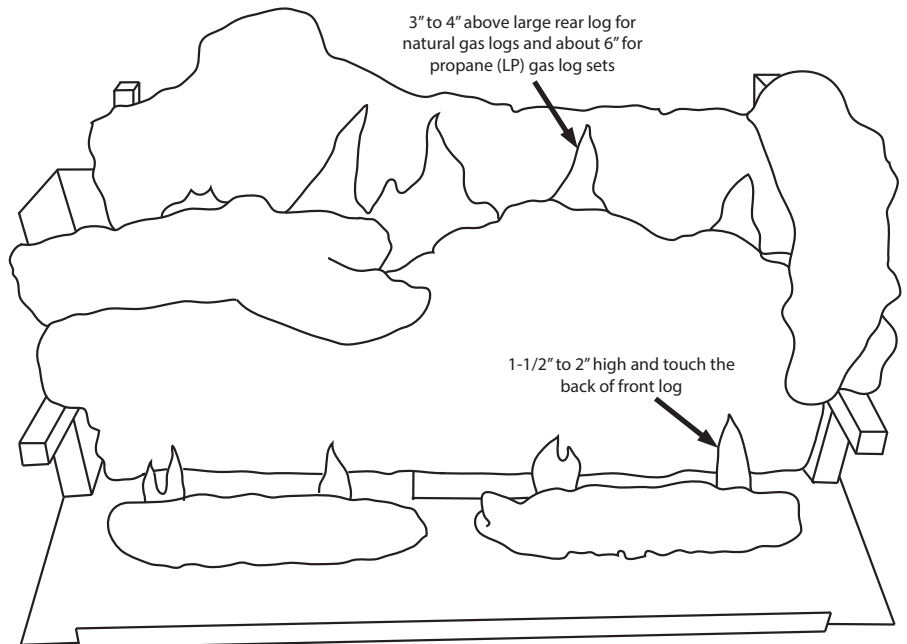
1. If pilot cannot be lit with piezo, it can be manually lit with the use of a paper match and a lighter rod.
2. Open access panel door located at bottom front of appliance.
3. Place match in holder and light. With left hand, turn control knob counterclockwise to "PILOT" position. Press in gas control knob for fifteen (15) seconds.
4. Use rod to light match and ignite pilot. Pilot is located in front of rear log and burner on right hand side of appliance.
5. Continue to hold the control knob for an additional one (1) minute to ensure pilot is lit.
6. Turn control knob counterclockwise to "ON" position. Push "ON/ OFF" toggle switch to "ON" position. Main burner should light.
7. Close access panel door.
8. Turn on all electrical power to appliance.

## FLAME CHECK

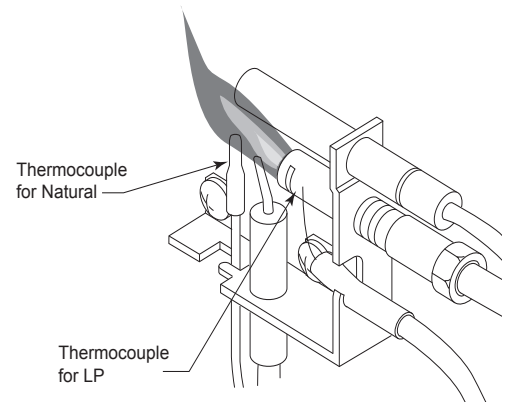
A periodic check of the flames should be made. The pilot flame should always be present when gas logs are in operation.

**Rear Flames:** The flames at rear or at either side of top log should be very similar, yellow in color, and should be about 3" to 4" above large rear log for natural gas logs and about 6" for propane (LP) gas log sets.

**Front Flame:** The flame should be 1-1/2" to 2" high and touch the back of front log. This will produce a red glow on this log.



**Incorrect Pilot Flame Appearance**

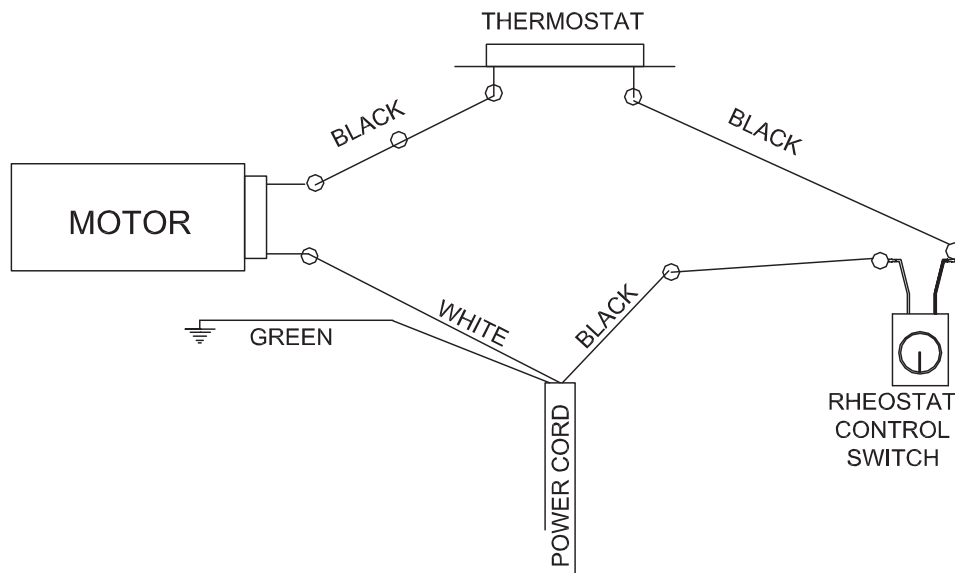


**Correct Pilot Flame Appearance**

## WHEN USED AS A HEATING APPLIANCE HEAT OUTPUT

When used as a ventless heater, flue damper of a solid-fuel burning non-combustible fireplace must always be closed. The heat output is controlled by the "ON/OFF" switch or wall thermostat, when using Millivolt Valve. The Vent-Free fireplace may be installed where permitted by local, state and city codes. In the absence of local codes, the latest edition of the National Fuel Gas Code (ANSI Z223.1) must be met.

# WIRING DIAGRAM



**WARNING: CHILDREN AND ADULTS SHOULD BE ALERTED TO HAZARDS OF HIGH SURFACE TEMPERATURES AND SHOULD STAY AWAY TO AVOID BURNS OR CLOTHING IGNITION. YOUNG CHILDREN SHOULD BE CAREFULLY SUPERVISED WHEN THEY ARE IN SAME ROOM WITH APPLIANCE**

**WARNING: DO NOT PLACE CLOTHING OR OTHER FLAMMABLE MATERIAL ON OR NEAR APPLIANCE.**

NOTE: "If any of the original wire as supplied with the gas appliance must be replaced, it must be replaced with a wire of at least a 105C° temperature rating."

NOTE: Installation and repair should be done by a qualified service person. This heater should be inspected before use and at least annually by a qualified service person. More frequent cleaning may be required due to excessive lint from carpeting, bedding material, etc. It is imperative that control compartments and circulating air passageways of heater be kept clean.

**CAUTION: LABEL ALL WIRES PRIOR TO DISCONNECTION WHEN SERVICING CONTROLS. WIRING ERRORS CAN CAUSE IMPROPER AND DANGEROUS OPERATION.**

**WARNING: ELECTRICAL GROUNDING INSTRUCTION: HEATER IS EQUIPPED WITH A THREE-PRONG PLUG FOR YOUR PROTECTION AGAINST SHOCK HAZARD AND SHOULD BE PLUGGED DIRECTLY INTO A PROPERLY GROUNDED THREE-PRONG RECEPTACLE.**

NOTE: 80442 Blower Motor. Rating: 120 volts/60HZ/1.1 Amps.

NOTE: For convenience, allow licensed electrician to install properly grounded 3-plug receptacle near unit.

# SECTION III

## INSTALLATION MODEL IN SOLID FUEL BURNING FIREPLACES

This model may be installed in a masonry fireplace. The figure below demonstrates the required dimensions.

**NOTE:** See "Producing Adequate Air for Combustion And Ventilation"

**NOTE:** Installer of this appliance must mechanically (peel and stick) attach marking supplied with this unvented appliance before installing to inside of firebox of solid-fuel burning fireplace or listed ventless firebox enclosure into which unvented fireplace insert is installed. See example of marking on the "Gas Pressure Check" section of this manual.

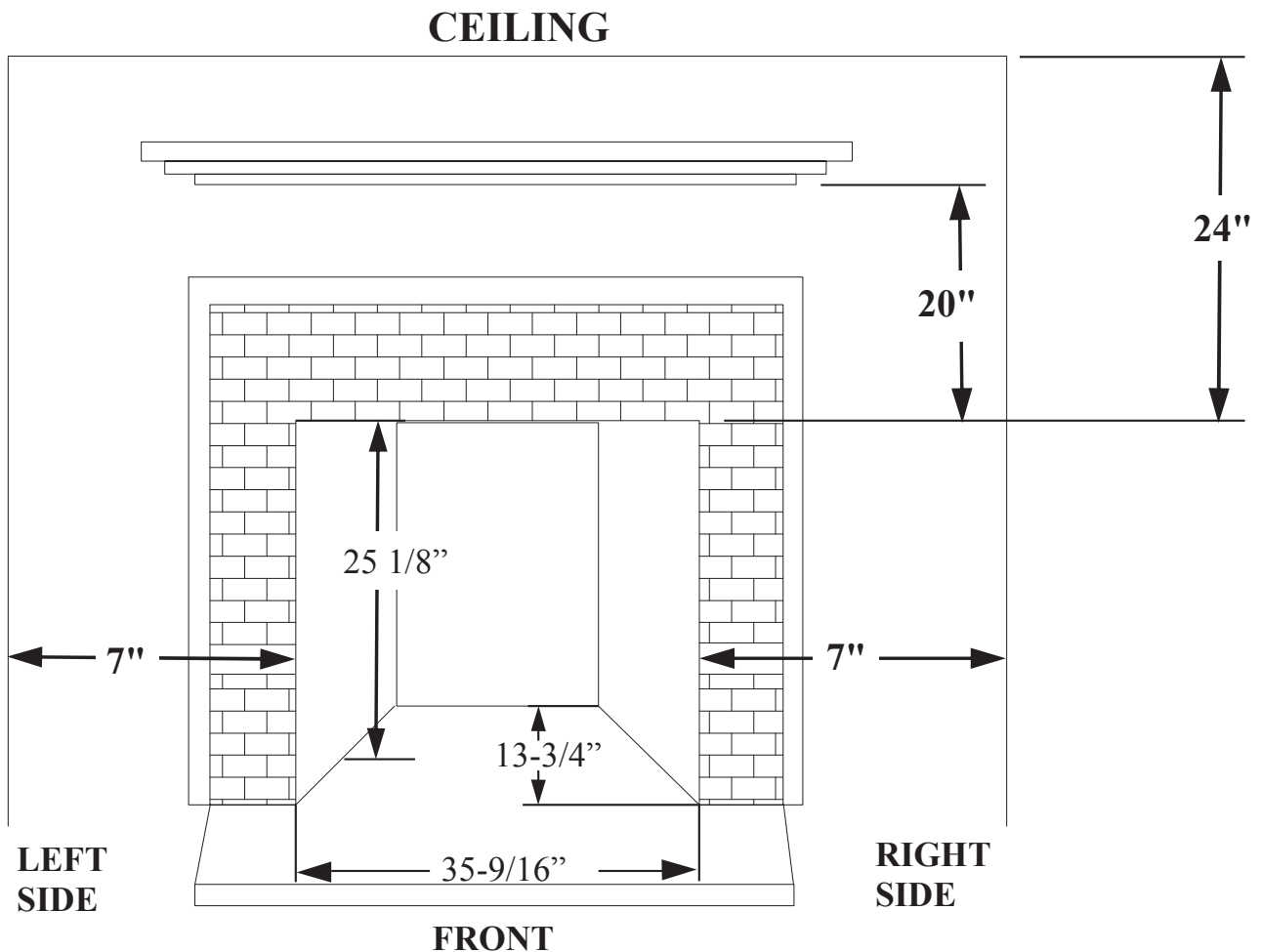
**CAUTION:** Cutting any sheet-metal parts of solid-fuel burning fireplace or listed ventless enclosure in which unvented fireplace is to be installed is prohibited.

**NOTE:** "If factory-built fireplace has no gas access hole(s) provided, an access hole of 1.5 inch (37.5) diameter or less may be drilled through lower sides or bottom of firebox in a proper workmanlike manner. This access hole must be plugged with non-combustible insulation after the gas supply line has been installed."

"Refractory, glass doors, screen rails, screen mesh and solid-fuel log grates (if applicable) can be removed from fireplace before installing unvented fireplace insert."

**NOTE:** After the unit is positioned in fireplace, mark trim panels as follows:

- A. Set side panels in place, flat against fireplace. Mark down inside edge of trim panel to make a vertical reference line.



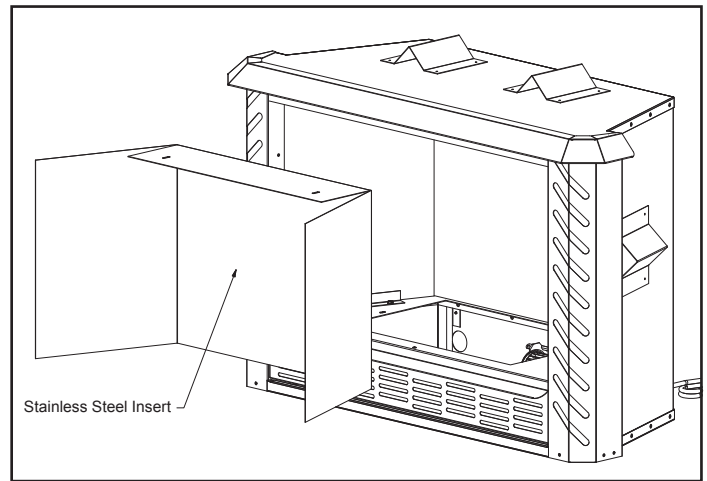
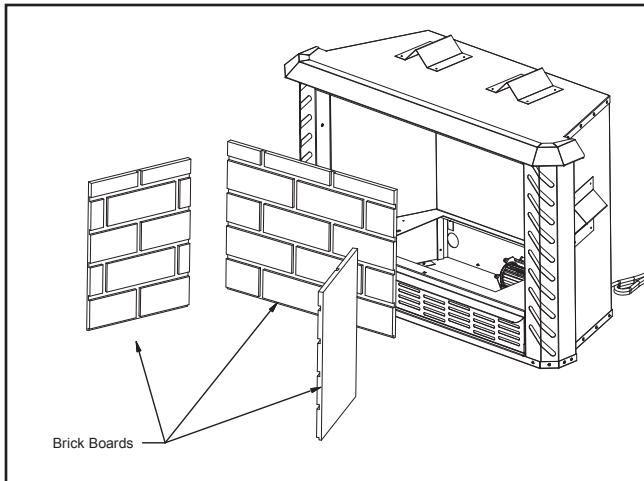
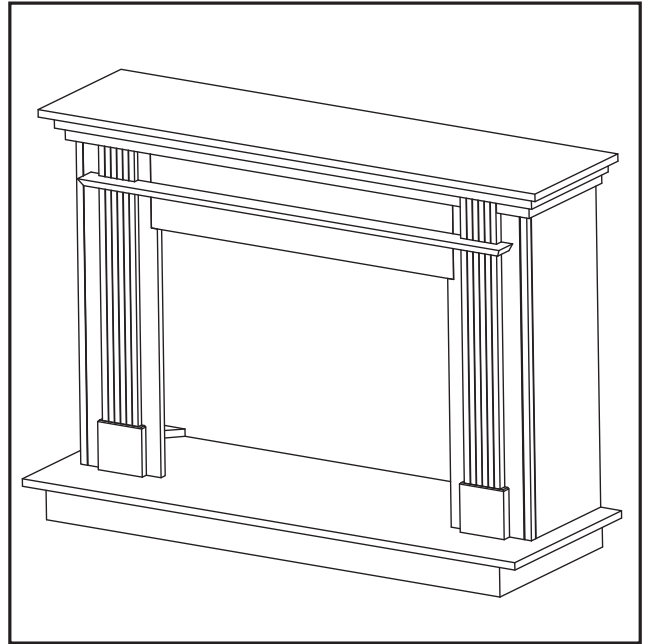
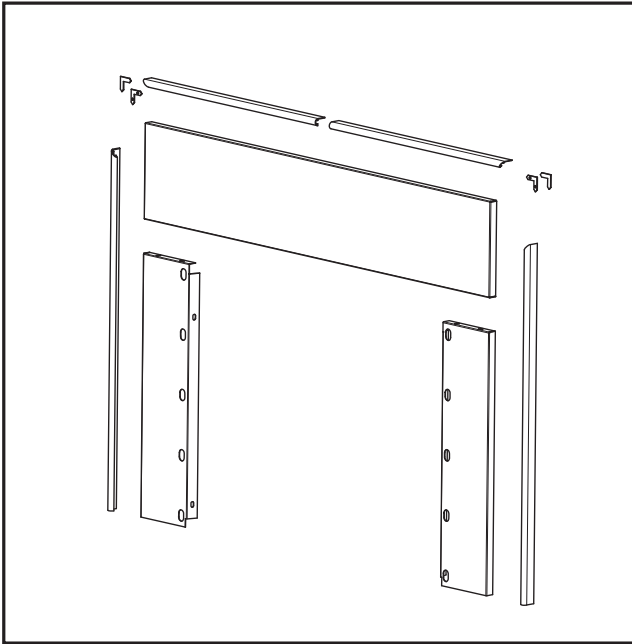
# SECTION IV

## OPTIONAL KITS

There are optional kits available for your stove. These are listed below:

- Insert Fireplace Facade
- Wooden Surround
- Brick Panel Kit
- Stainless Steel Kit

For more information on these kits contact your local representative or appliance manufacture.



# SECTION V

## ZERO CLEARANCE INSTALLATION

The installation must conform with local codes or in the absence of local codes, with National Fuel Gas Code, ANSI Z223.1/NFPA54.

This appliance may be installed in an After-Market\* Manufactured (Mobile) Home, where not prohibited by state or local codes.

\* (After Market: Completion of sale, not for purpose of resale from manufacturer).

This appliance is only for use with the type of gas indicated on the certification plate. This appliance is not convertible for use with other gases.

NOTE: See "Producing Adequate Air For Combustion And Ventilation"

## CHOOSING THE LOCATION FOR YOUR FIREPLACE

The figure below shows some of many ways your fireplace may be installed. Consider traffic pattern in your room and location of doors and windows. Moving air from ceiling fans, open doors and hot air grills may cause flames to soot. If a disturbance is found that affects flames, it must be eliminated by turning off ceiling fan, closing door or closing or moving hot air register. A corner location may be best where space is limited. Your fireplace weighs no more than some of your fine furniture. If fireplace is located near a load bearing wall, additional supports to foundation will not be necessary. HEAVY FACINGS, SUCH AS BRICK, STONE, ETC., MAY REQUIRE ADDITIONAL FOUNDATION SUPPORT.

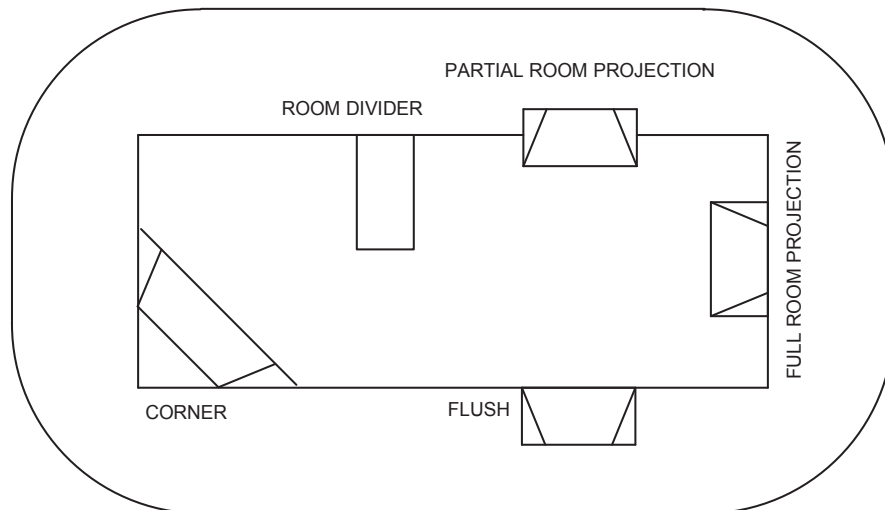
NOTE: If this appliance is installed directly on carpeting, tile or other combustible material, other than wood flooring, appliance shall be installed on a metal or wood panel extending full width and depth of appliance. The Manufacturers Trim Kit must be used for Zero Clearance Installation. For fireplace installation see "Insert Fireplace Facade Installation" section of this manual.

## GAS LINE

Gas supply line and electrical supply must be installed before framing in the fireplace by a licensed installer.

## DRAFTS

Do not locate the fireplace in high traffic areas or areas exposed to high drafts and winds. Locate the fireplace away from furniture and draperies.



**WARNING: SOLID-FUELS SHALL NOT BE BURNED IN A FIREPLACE IN WHICH AN UNVENTED ROOM HEATER IS INSTALLED.**

**CAUTION: ANY OUTSIDE AIR DUCTS AND/OR ASH DUMPS IN THE FIREPLACE SHALL BE PERMANENTLY CLOSED AT TIME OF APPLIANCE INSTALLATION.**

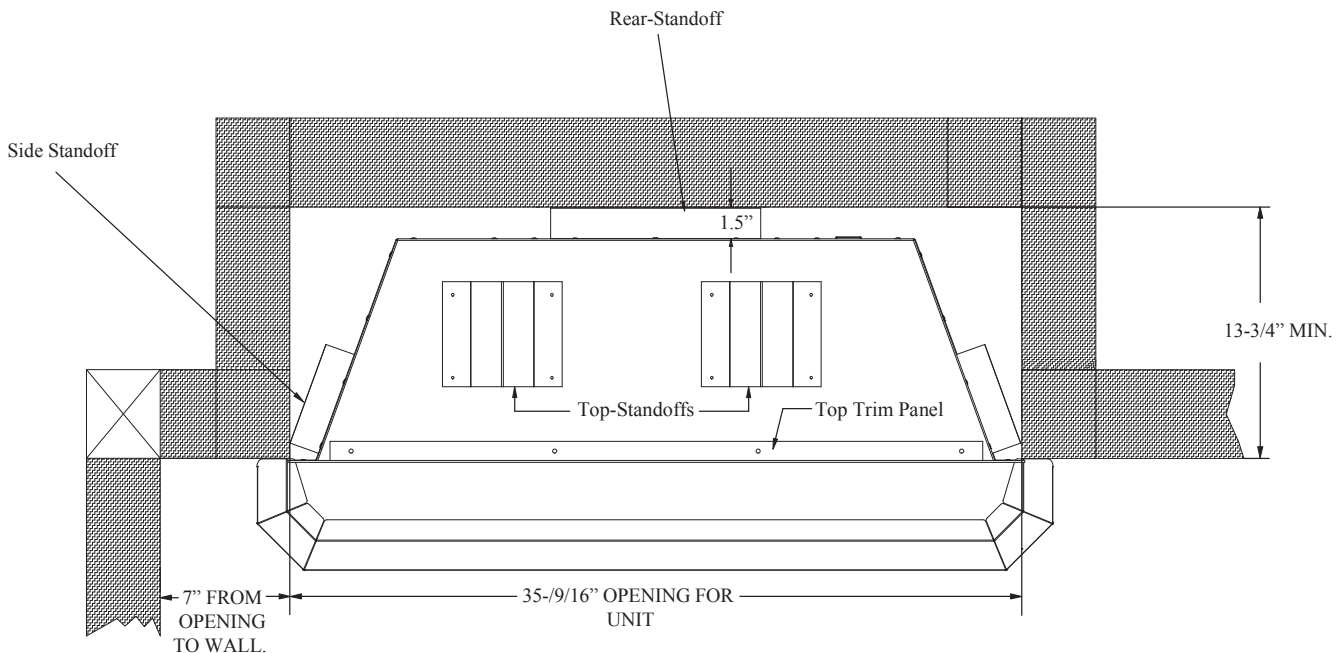
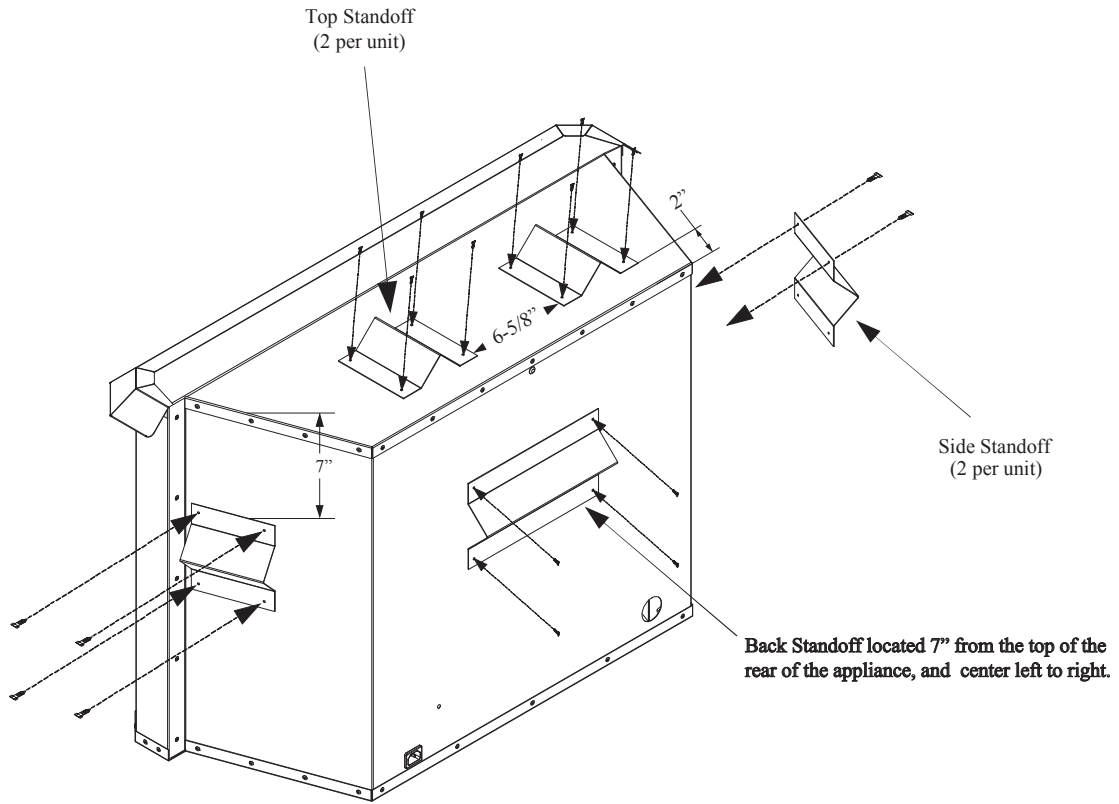
**WARNING: BEFORE INSTALLING IN A SOLID-FUEL BURNING FIREPLACE, THE CHIMNEY FLUE AND FIREBOX MUST BE CLEANED OF SOOT, CREOSOTE, ASHES AND LOOSE PAINT BY A QUALIFIED CHIMNEY CLEANER.**



# ZERO CLEARANCE STANDOFF(S) ASSEMBLY

NOTE: All Standoff must be attached to the appliance before installing as a Zero Clearance appliance. Follow the instructions given in the diagrams below exactly.

**NOTE:** If installing with the mantle kit refer to the instructions included with the mantle kit for correct installation.



### FIREPLACE CLEARANCES (ZC)

Fireplace may be placed directly on a combustible floor, against a combustible wall at marked clearances or on a raised wooden platform. If fireplace is to be installed on a raised wooden platform, the platform must be a continuous level surface. The fireplace must be secured in place so it cannot shift positions. Only header (see below) may rest on standoffs on top of firebox. When the firebox is installed over carpeting, vinyl tile, or any combustible material other than wood flooring, it must be installed on a metal or wood panel extending its full width and depth. Alternatively, carpeting, vinyl tile, etc. may be removed beneath fireplace before installing.

### INSTALLING FIREBOX (ZC)

This list of specific instructions will help you make certain that every installation operation is performed correctly. Complete installation steps in sequence shown.

LOCAL BUILDING CODES SHOULD BE CONSULTED IN ALL CASES AS TO PARTICULAR REQUIREMENTS CONCERNING INSTALLATION OF FACTORY BUILT FIREPLACES. Select location for fireplace by taking into consideration factors previously outlined in "Choosing the Location."

### FRAMING FIREBOX

Width of framed opening must be as shown in the adjacent figures.

Entire fireplace can be elevated above floor to achieve a raised hearth effect. This can be done by adding a small platform to achieve desired height.

NOTE: Wiring for lower blower must be installed during framing stage. Insulation should be used in framing on back, sides, and top.

### INSTALL FIREBOX

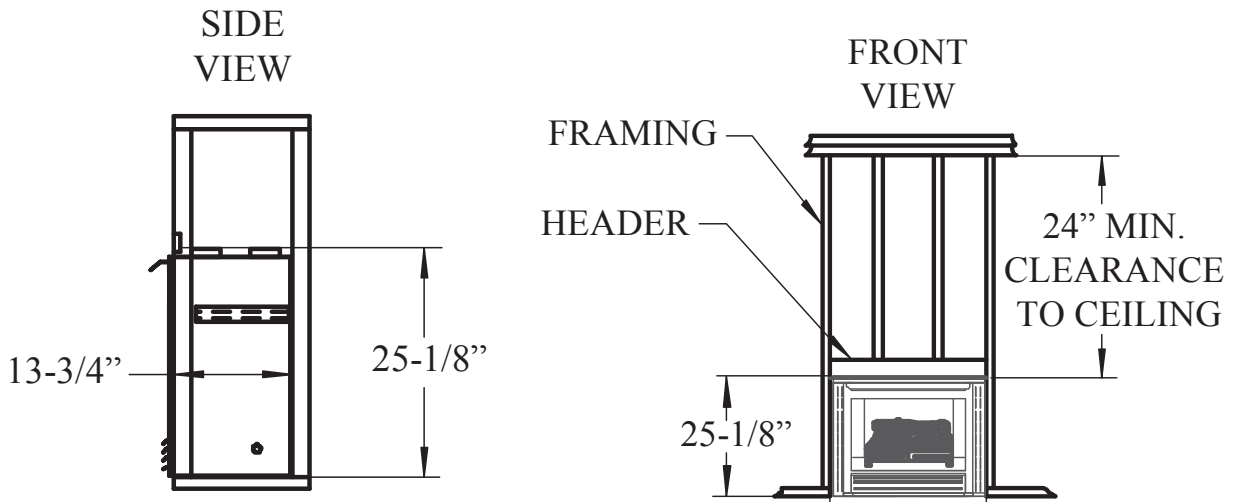
Install firebox into framed opening by placing it directly in front of opening and sliding it into proper position. Please follow wooden surround instructions. (Also see Zero Clearance standoff(s) Assembly" section of this manual)

### LEVEL FIREBOX

Check level of the firebox on top edge of fireplace face. Shim if necessary.

COMBUSTIBLE MATERIALS MUST NOT BE INSTALLED OVER OR TOUCH ANY BLACK PAINTED SURFACE. DO NOT BLOCK HEAT CIRCULATING AIR OUTLETS. DOING SO MAY RESULT IN POTENTIAL FIRE HAZARDS.

1. Sidewall Clearances: Clearances from side of fireplace opening to any adjacent combustible must be as shown in the figures below.
2. Ceiling Clearances: There is a minimum clearance from the top of the unit to the ceiling that must be as shown in the figures below.



**WARNING: INSTALLATION AND REPAIRS SHOULD BE PERFORMED BY A QUALIFIED SERVICE PERSON. THE APPLIANCE SHOULD BE INSPECTED BEFORE USE AND AT LEAST ANNUALLY BY A PROFESSIONAL SERVICE PERSON. MORE FREQUENT CLEANING MAY BE REQUIRED DUE TO EXCESSIVE LINT FROM CARPETING, BEDDING MATERIAL, PET HAIR, ETC. IT IS IMPERATIVE THAT CONTROL COMPARTMENTS, BURNERS AND CIRCULATING AIR PASSAGEWAYS OF APPLIANCE BE KEPT CLEAN.**

## FINISHING YOUR FIREPLACE (ZC)

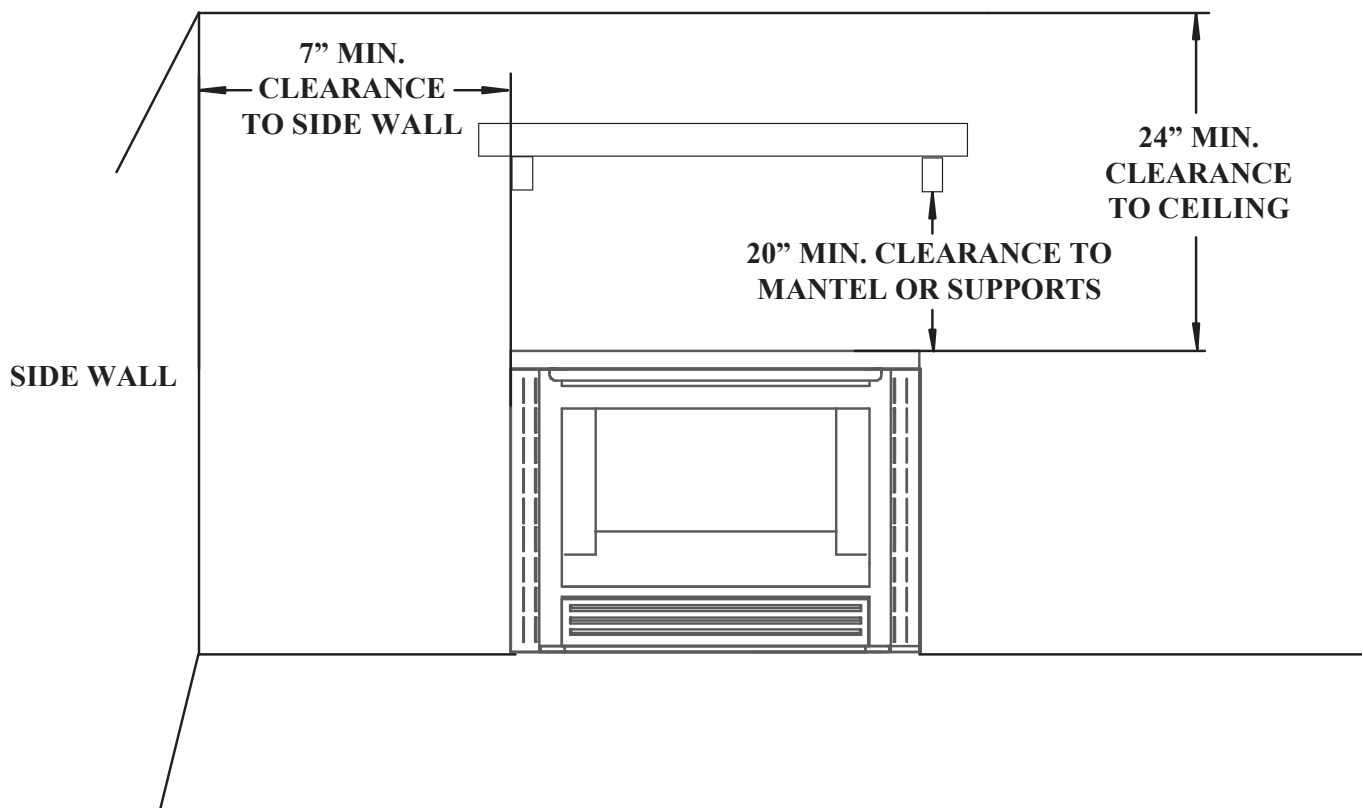
There is a wide variety of finishing material available for your fireplace from formal wall treatments with marble and mantels, to rustic wood paneling, stone or brick. Noncombustible materials used in this installation such as slate, tile, marble, etc. must be at least 1/2" thick.

IT IS IMPORTANT THAT BLACK FACE OF FIREPLACE NOT BE COVERED WITH ANY TYPE OF COMBUSTIBLE MATERIAL. Check to see whether man-made brick and stone are made of non-combustible materials before using them on face of fireplace. Some of these products contain combustible materials. Combustible wall coverings such as paneling or wall-board may not overlap black face of fireplace. Space between wall covering and fireplace should be sealed with a heat resistant material such as rock wool insulation or mortar.

**NOTE:** An "L" shaped steel lintel must be installed across top of firebox opening where facing materials such as brick or stone is used on the face of firebox. It acts as a support/firestop. It should be attached to face of fireplace with screws and sealed to fireplace with a heat-resistant sealer.

## CLEARANCES (ZC)

To ensure a safe installation, following figures dimensions must be carefully observed.



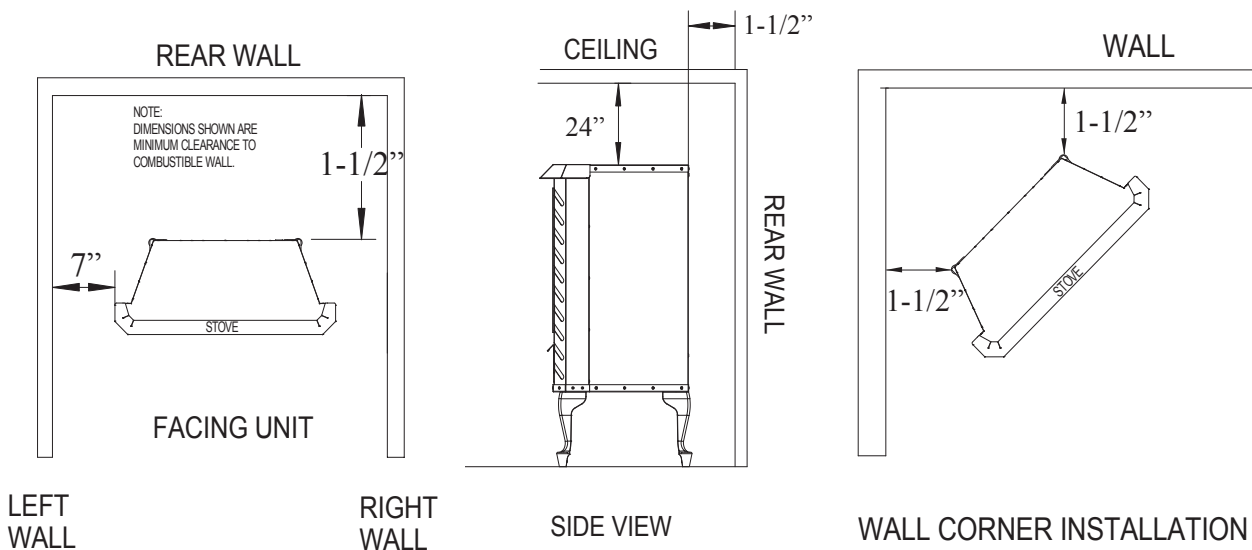
# SECTION VI

## FREESTANDING INSTALLATION

1. Determine exact position of your gas heater.

**NOTE:** Due to high temperatures, this heater should be located out of traffic areas and away from furniture and draperies.

**NOTE:** For safe installation the minimum clearances must be met. See Figure below.



**CAUTION:** The installation must conform with local codes or in absence of local codes, with National Fuel Gas Code, ANSI Z223.1/NFPA54.

**NOTE:** See "Gas Connection" section of this manual for Gas Connection and Pressure Check.

2. Make sure you have right valve for your type of gas. Check label on side of valve. Position logs as shown in Log Placement Section. Position screen before leaving heater unattended.

This appliance is only for use with type of gas indicated on rating plate.

This appliance is not convertible for use with other gases.

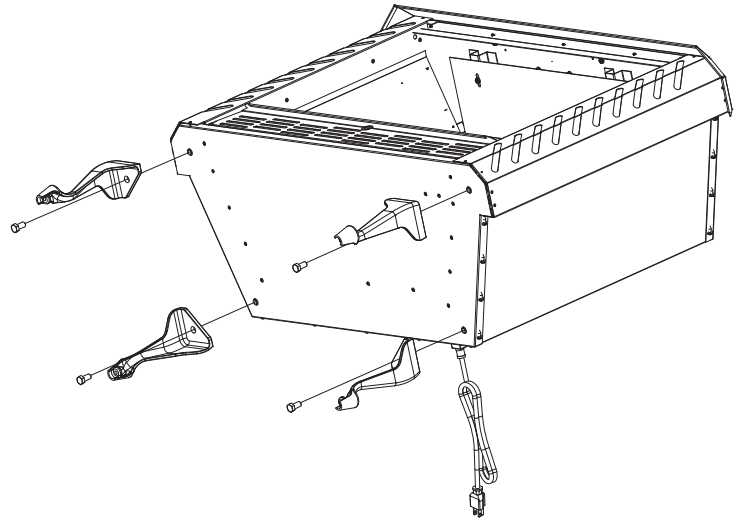
**WARNING: "YOUNG CHILDREN SHOULD BE CAREFULLY SUPERVISED WHEN THEY ARE IN SAME ROOM WITH APPLIANCE." "CHILDREN AND ADULTS SHOULD BE ALERTED TO HAZARDS OF HIGH SURFACE TEMPERATURE AND SHOULD STAY AWAY TO AVOID BURNS OR CLOTHING IGNITION."**

**WARNING: WHEN APPLIANCE IS INSTALLED DIRECTLY ON CARPETING, TILE OR OTHER COMBUSTIBLE MATERIAL, OTHER THAN WOOD FLOORING, APPLIANCE SHALL BE INSTALLED ON A METAL OR WOOD PANEL EXTENDING FULL WIDTH AND DEPTH OF APPLIANCE.**

# FREESTANDING LEGS INSTALLATION

To make this model free standing using cast legs, follow the instructions below:

1. Place heater on its back.
2. Your heater is equipped with four leg mounting nuts. Place a leg at each nut and secure leg with bolts provided.
3. The legs are equipped with leveling bolts needed for leveling adjustments.
4. Stand heater to upright position. Place heater in desired location. At this point you may want to secure pedestal to floor with screws or an "ell" bracket.
5. Hook up gas supply line. Check for leaks with mild soapy water. see "Installation Clearances and Gas Connection" section of this manual.



## SECTION VII

### ALCOVE INSTALLATION

CAUTION: READ ENTIRE MANUAL BEFORE INSTALLING HEATER.

1. For clearances, see Figure below. The minimum must be met.
2. For Installation and Gas Hookup Connection see "Gas Connection" section of this manual.

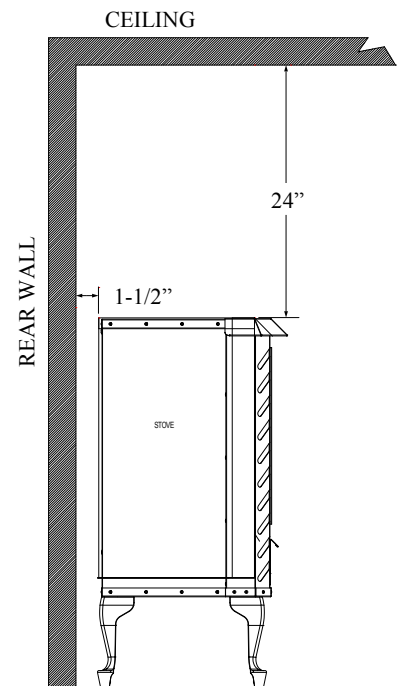
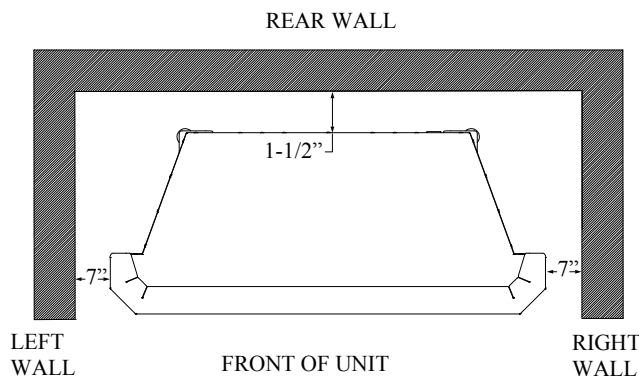
CAUTION: The installation must conform with local codes, or in absence of local codes, with National Fuel Gas Code, ANSI Z223.1/NFPA54.

**WARNING: DO NOT USE THIS HEATER IF ANY PART HAS BEEN UNDER WATER. IMMEDIATELY CALL A QUALIFIED SERVICE TECHNICIAN TO INSPECT ROOM HEATER AND TO REPLACE ANY PART OF CONTROL SYSTEM AND GAS CONTROL WHICH HAS BEEN UNDER WATER.**

**WARNING: IMPROPER INSTALLATION, ADJUSTMENT, ALTERATION, SERVICE OR MAINTENANCE CAN CAUSE PROPERTY DAMAGE, PERSONAL INJURY OR LOSS OF LIFE. REFER TO THIS MANUAL.**

**WARNING: ANY CHANGE TO THIS HEATER OR ITS CONTROLS CAN BE DANGEROUS."**

\*ALL DIMENSIONS ARE MINIMUM TO COMBUSTIBLE WALL



# SECTION VIII

## PRODUCING ADEQUATE AIR FOR COMBUSTION AND VENTILATION

This section is for residential or manufactured (mobile) installation

“This heater shall not be installed in unusually tight construction unless provisions are adequate for combustion and ventilation air.”

NOTE: This heater shall not be installed in a room or space unless the required volume of indoor combustion air is provided by the method in National Fuel Gas Code, ANSI Z223.1/NFPA 54, the International Fuel Gas Code, or applicable codes.

National Fuel Gas Code, ANSI Z223.1/NFPA 54 defines unusually tight construction or unconfined space as a space whose volume is less than 50 cubic feet per 1,000 BTU per hour (4.8m<sup>3</sup> per kw) of aggregate input rating of all appliances installed in that space and an unconfined space as a space whose volume is not less than 50 cubic feet per 1,000 BTU per hour (4.8m<sup>3</sup> per kw) of aggregate input rating of all appliances installed in that space. Rooms communicating directly with space in which appliances are installed, through openings not furnished with doors, are considered a part of unconfined space. Unusually tight construction is defined as construction where:

- A. Walls and ceilings exposed to the outside atmosphere have a continuous water vapor retarder with a rating of 1 perm (6 x 10<sup>-11</sup> kg per pa-sec-m<sup>2</sup>) or less with openings gasketed or sealed.
- B. Weather stripping has been added on openable windows and doors.
- C. Caulking or sealants are applied to areas such as joints around window and door frames, between sole plates and floors, between wall-ceiling joints, between wall panels, at penetrations for plumbing, electrical and gas lines and at other openings.

NOTE: SOME AREAS IN THE UNITED STATES HAVE HIGHER REQUIREMENTS FOR CUBIC FEET PER 1000 BTU/ HOUR INPUT. (EX. CINCINNATI, OHIO CODES REQUIRE 70 CUBIC FEET). CHECK YOUR LOCAL CODE BEFORE INSTALLATION

## DETERMINING FRESH-AIR FLOW FOR HEATER LOCATION

Determine if you have unusually tight construction or unconfined space. Use this worksheet to determine if you have unusually tight construction or unconfined space. Space: includes the room in which you will install heater plus adjoining rooms with doorless passageways or ventilation grills between the rooms.

**“WARNING: IF AREA IN WHICH HEATER MAY BE OPERATED DOES NOT MEET THE REQUIRED VOLUME FOR INDOOR COMBUSTION AIR, COMBUSTION AND VENTILATION AIR SHALL BE PROVIDED BY ONE OF METHODS DESCRIBED IN NATIONAL FUEL GAS CODE, ANSI Z223.1/NFPA 54, THE INTERNATIONAL FUEL GAS CODE OR APPLICABLE CODES.”**

**“WARNING: IF AREA IN WHICH HEATER MAY BE OPERATED IS SMALLER THAN THAT DEFINED AS AN UNCONFINED SPACE OR IF BUILDING IS OF UNUSUALLY TIGHT CONSTRUCTION, PROVIDE ADEQUATE AIR FOR COMBUSTION AND VENTILATION BY ONE OF METHODS DESCRIBED IN NATIONAL FUEL GAS CODE, ANSI Z223.1/NFPA 54 AIR FOR COMBUSTION AND VENTILATION OR APPLICABLE LOCAL CODES.”**

- Determine the volume of the space (length x width x height).  
 $\text{Length} \times \text{Width} \times \text{Height} = \text{_____ cu. ft. (volume of space)}$   
 EXAMPLE: 20 ft.(Length) x 16 ft.(Width) x 8 ft.(ceiling Height)=  
 2560 cu. ft. (volume of space)  
 If additional ventilation to adjoining room is supplied with grills or openings, add the volume of these rooms to the total volume of the space.
- Divide the space volume by 50 cubic feet to determine the maximum BTU/Hr the space can support.  
 $\text{_____ (volume of space) / 50 cu. ft.} = \text{maximum BTU/Hr the space can support}$   
 EXAMPLE: 2560 cu. ft. (volume of space / 50 cu. Ft . = 51.2 or  
 51200 (maximum BTU/Hr the space can support)
- Add the BTU/Hr of all fuel burning appliances in the space.

Vent-free heater BTU/Hr	_____ BTU/Hr
*Gas water heater BTU/Hr	_____ BTU/Hr
Gas furnace BTU/Hr	_____ BTU/Hr
Vented gas heater BTU/Hr	_____ BTU/Hr
Gas fireplace logs BTU/Hr	_____ BTU/Hr
Other gas appliance BTU/Hr	+ _____ BTU/Hr
Total	= _____ BTU/Hr

Example:	
Gas water heater	400000 BTU/Hr
Vent-free heater	+ 18000 BTU/Hr
total	= 58000 BTU/Hr
*Does not include direct-vent gas appliances. Direct-vent draws combustion air from outdoors and vents to the outdoors.	

- Compare the maximum BTU/Hr the space can support with actual amount of BTU/Hr used.  
 $\text{_____ BTU/Hr (maximum the space can support)}$   
 $\text{_____ BTU/Hr (actual amount of BTU/Hr used)}$   
 Example: 51200 BTU/Hr (maximum the space can support)  
 58000 BTU/Hr (actual amount of BTU/Hr used)

Space in above example is unusually tight construction because actual BTU/Hr used is more than maximum BTU/Hr the space can support. You must provide additional fresh air. Your options are as follows:

- Rework worksheet, adding space of an adjoining room. If extra space provides an unconfined space, remove door to adjoining room or add ventilation grills between rooms. See "Air For Combustion And Ventilation Inside Building"
- Vent room directly to the outdoors. See "Air For Combustion And Ventilation Outdoors "
- Install a lower BTU/Hr heater, if lower BTU/Hr size makes room unconfined.

If actual BTU/Hr used is less than the maximum BTU/Hr the space can support, space is an unconfined space. You will need no additional fresh air ventilation.

**WARNING: YOU MUST PROVIDE ADDITIONAL VENTILATION AIR IN UNUSUALLY TIGHT CONSTRUCTION.**



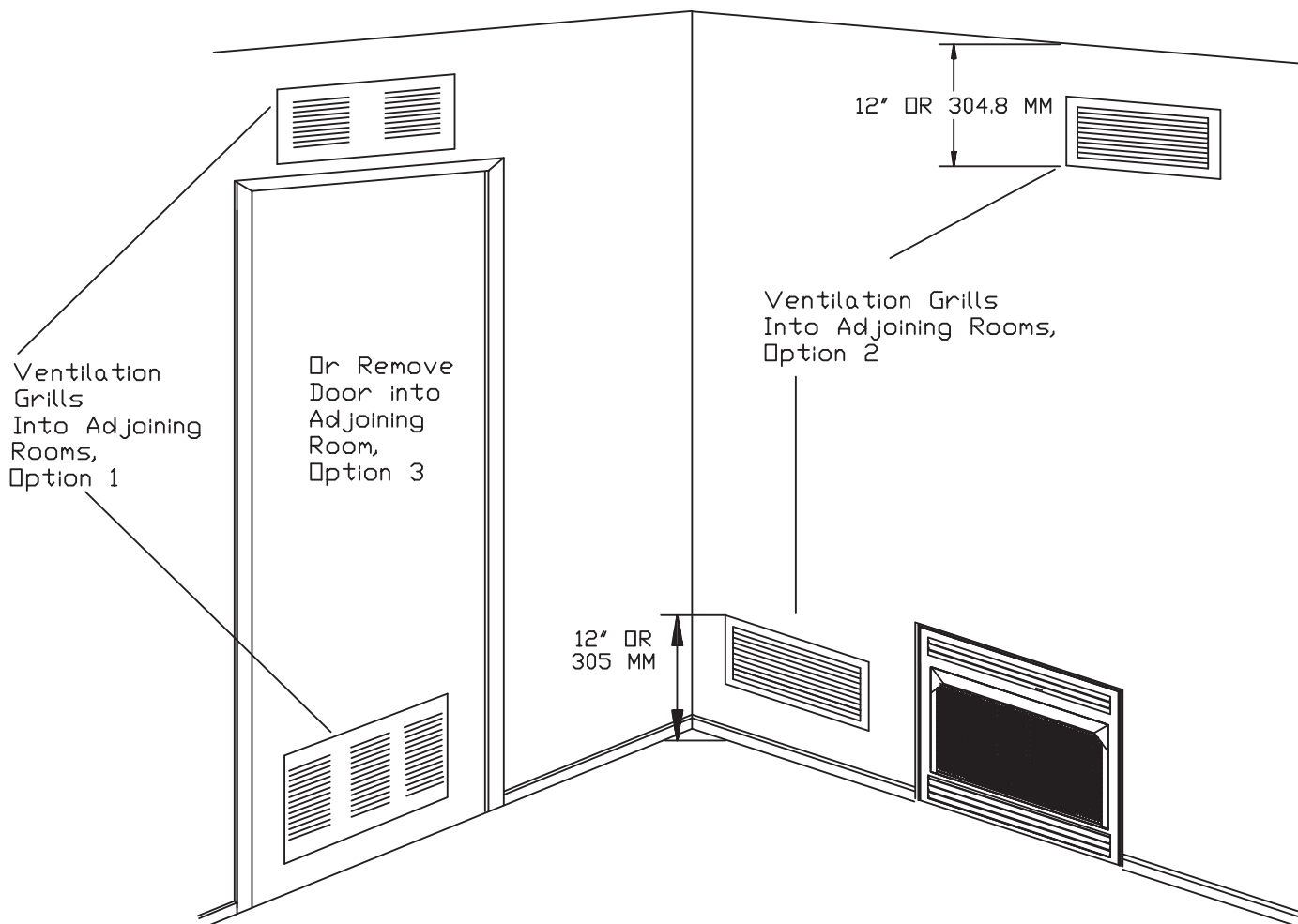
# SECTION IX

## AIR FOR COMBUSTION AND VENTILATION INSIDE BUILDING

This fresh air would come from an adjoining unconfined space. When venting to an adjoining space, you must provide two permanent openings: one within 12" of ceiling and one within 12" of floor, on wall connecting two spaces. (See Options 1 and 2 below.) You can also remove door into adjoining room. (See Option 3 below.)

**WARNING: REWORK WORKSHEET, ADDING SPACE OF ADJOINING UNCONFINED SPACE. COMBINED SPACES MUST HAVE ADEQUATE AMOUNT OF AIR TO SUPPLY ALL APPLIANCES IN BOTH SPACES**

NOTE: Each opening shall have a minimum free area of 1 square inch per 1000 BTU's per hour of the total input ratings of all gas utilization equipment in the confined space, but not less than 100 square inches.



Ventilation Air From Inside Building

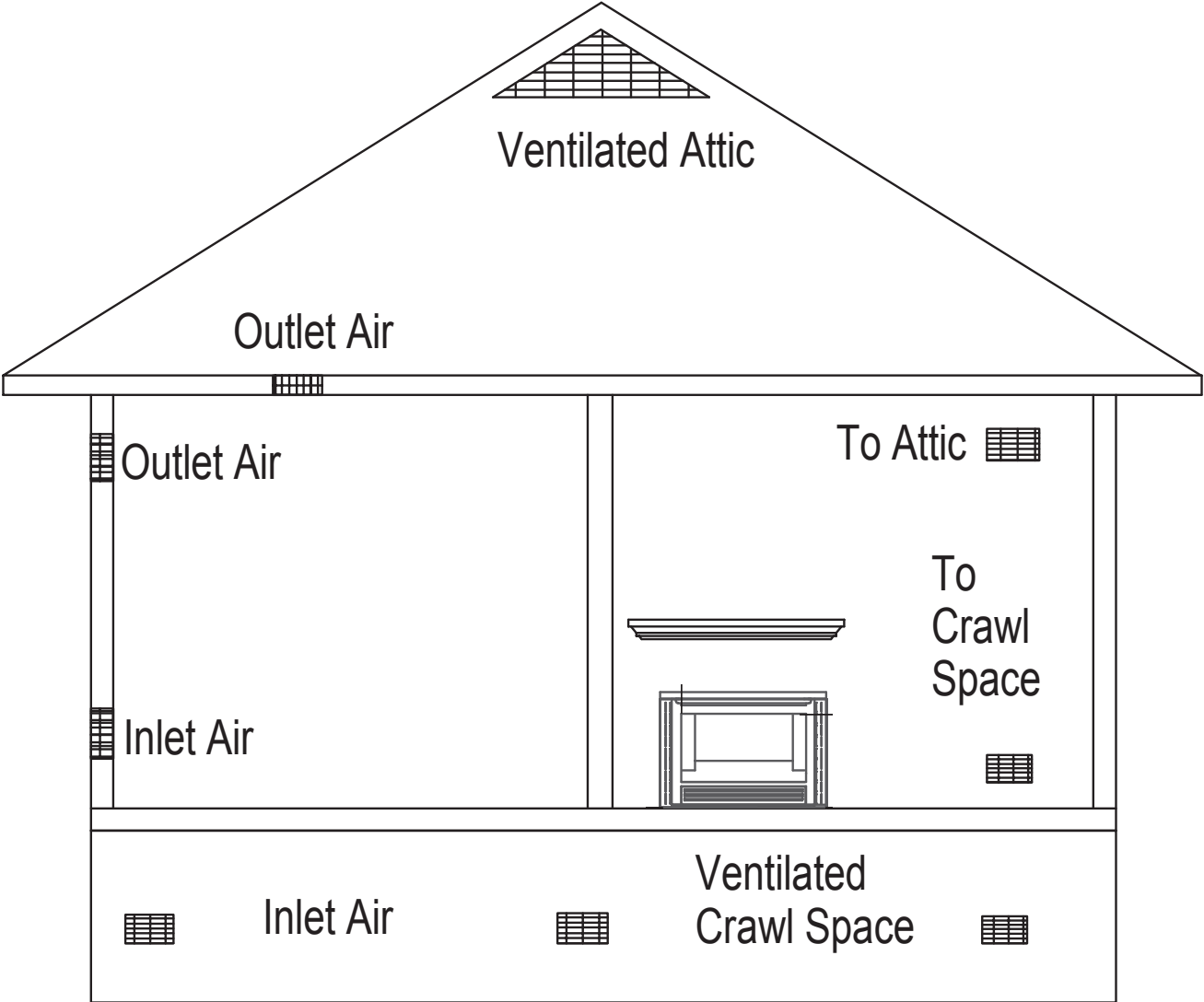
**WARNING: THIS HEATER MUST HAVE ADEQUATE AMOUNT OF AIR FOR PROPER OPERATION. IF NOT, POOR FUEL COMBUSTION COULD RESULT. READ THE FOLLOWING INSTRUCTIONS TO ENSURE PROPER AMOUNT OF AIR FOR THIS AND OTHER FUEL-BURNING APPLIANCES IN YOUR HOME.**

# SECTION X

## AIR FOR COMBUSTION AND VENTILATION OUTDOORS

Provide extra fresh air by using ventilation grills or ducts. You must provide two permanent openings: one within 12" of ceiling and one within 12" of floor. Connect these items directly to outdoors. These spaces include attics and crawl spaces. Follow National Fuel Gas Code NFPA 54/ ANSI Z223.1, Section 5.3, "Air For Combustion and Ventilation" for required size of ventilation grills or ducts.

**IMPORTANT:** Do not provide openings for inlet air into attic if attic has a thermostat-controlled power vent. Heated air entering the attic will activate the power unit.



Ventilation Air From Outdoors

# SECTION XI

## AFTER MARKET MOBILE HOME INSTALLATION

**NOTE:** See “Producing Adequate Air For Combustion And Ventilation”

THIS APPLIANCE MAY BE INSTALLED IN AN AFTERMARKET\*, PERMANENTLY LOCATED, MANUFACTURED (MOBILE) HOME, WHERE NOT PROHIBITED BY LOCAL CODES.

**\*After Market: Completion of sale, not for purpose of resale from manufacturer.**

THIS APPLIANCE IS ONLY FOR USE WITH TYPE OF GAS INDICATED ON RATING PLATE. THIS APPLIANCE IS NOT CONVERTIBLE FOR USE WITH OTHER GASES.

**NOTE:** For mobile home installation follow “Installation” sections in this manual.

**NOTE:** See “Producing Adequate Air for Combustion And Ventilation”

Although your gas logs are very realistic in appearance, it is not a real burning fireplace and must not be used for burning rejected material.

- To avoid irreparable damage to heater or personal injury, matches, paper, garbage or any other material must not be placed or thrown on top of logs or into flames.
- To avoid personal injury, do not touch hot surfaces when heater is operating.
- Close supervision is necessary when heater is being operated near children.

**WARNING: THE LOGS ARE MANUFACTURED FROM BONDED CERAMIC FIBER. THIS IS A COMMONLY USED MATERIAL IN INDUSTRY WORLDWIDE. IN EVENT THAT A LOG SHOULD BE REMOVED, CARE SHOULD BE TAKEN NOT TO DAMAGE BONDED MATERIAL. INTENTIONAL MISUSE OR DELIBERATELY FRAGMENTING MATERIAL COULD LEAD TO INHALING FIBERS AND BE HAZARDOUS TO YOUR HEALTH.**

**THIS HEATER IS INTENDED FOR USE AS A GAS HEATER FIREPLACE AS DESCRIBED IN THESE INSTRUCTIONS. IT SHOULD IT SHOULD NOT BE USED FOR ANY OTHER PURPOSE.**

## CLEANING

- Appliance must be turned “OFF” before cleaning inside firebox (burn area), make sure pilot is “OFF” completely and appliance has cooled.
- All cleaning should be carried out when heater is cold. Limited cleaning is required with normal use. Dusting front of base, top of piezo cover or control knob panel may be required occasionally. Do not use cleaning fluids to clean logs or any other part of heater.
- If flames show unusual shapes or behavior or if burner fails to ignite properly, burner holes may require cleaning. If this occurs, contact your nearest dealer to service heater.
- The heater can be cleaned by removing logs. Lift logs gently, as not to damage fiber pieces. The logs have been spot glued in place for shipping, use caution when removing. Lift each log by holding it carefully at each end. Use a vacuum cleaner to remove dust and loose particles from base, logs and around burner and ODS/Pilot. Gloves are recommended to prevent fibers from breaking skin. If skin is broken, clean with soap and water.

**CAUTION: BEFORE CLEANING OR MOVING THESE LOGS OR OTHER PARTS OF HEATER, BE SURE TO READ ABOVE SECTIONS ON “IMPORTANT SAFEGUARDS.”**

**WARNING: FAILURE TO KEEP THE PRIMARY AIR OPENINGS (S) OF THE BURNER (S) CLEAN MAY RESULT IN SOOTING AND PROPERTY DAMAGE.**

# REQUIREMENTS FOR THE COMMONWEALTH OF MASSACHUSETTS

This product must be installed by a licensed plumber or gas fitter when installed within the Commonwealth of Massachusetts.

## NOTE REGARDING VENTED PRODUCTS

Flex line installation must not exceed 36 inches and must have a T shutoff valve.

Any residence with a direct vent product must have a CO detector installed in the residence.

Installation of the fireplace or vented gas log in the State of Massachusetts requires the damper to be permanently removed or welded in the fully open position.

In addition, neither a naturally vented gas log nor a vent-free product may be installed in a bedroom or bathroom in the State of Massachusetts.

All gas fitting and installation of this heater shall only be done by a licensed gas fitter or licensed plumber.

For all side wall horizontally vented gas fueled equipment installed in every dwelling, building or structure used in whole or in part for residential purposes, including those owned or operated by the Commonwealth and where the side wall exhaust vent termination is less than seven (7) feet above finished grade in the area of the venting, including but not limited to decks and porches, the following requirements shall be satisfied:

## INSTALLATION OF CARBON MONOXIDE DETECTORS

At the time of installation of the side wall horizontal vented gas fueled equipment, the installing plumber or gas fitter shall observe that a hard wired carbon monoxide detector with an alarm is installed on each additional level of the dwelling, building or structure served by the side wall horizontal vented gas fueled equipment. It shall be the responsibility of the property owner to secure the services of qualified licensed professionals for the installation of hard wired carbon monoxide detectors.

In the event that the side wall horizontally vented gas fueled equipment is installed in a crawl space or an attic, the hard wired carbon monoxide detector with alarm and battery back-up may be installed on the next adjacent floor level. In the event that the requirements of this subdivision can not be met at the time of completion of installation, the owner shall have a period of thirty (30) days to comply with the above requirements; provided, however, that during said thirty (30) day period, a battery operated carbon monoxide detector with an alarm shall be installed.

Approved Carbon Monoxide Detectors

Each carbon monoxide detector as required in accordance with the above provisions shall comply with NFPA 720 and ANSI/UL 2034 listed and IAS certified.

## SIGNAGE

A metal or plastic identification plate shall be permanently mounted to the exterior of the building at a minimum height of eight (8) feet above grade directly in line with the exhaust vent terminal for the horizontally vented gas fueled heating appliance or equipment. The sign shall read, in print size no less than one-half (1/2) inch in size, "GAS VENT DIRECTLY BELOW, KEEP CLEAR OF ALL OBSTRUCTIONS".

## INSPECTION

The state or local gas inspector of the side wall horizontally vented gas fueled equipment shall not approve the installation unless, upon inspection, the inspector observes carbon monoxide detectors and signage installed in accordance with the provisions of 248 CMR 5.08(2)(a)1 through 4.

## EXEMPTIONS

The following equipment is exempt from 248 CMR 5.08(2)(a)1 through 4:

- The equipment listed in Chapter 10 entitled "Equipment Not Required To Be Vented" in the most current edition of NFPA 54 as adopted by the Board; and
- Product Approved side wall horizontally vented gas fueled equipment installed in a room or structure separate from the dwelling, building or structure used in whole or in part for residential purposes.

## MANUFACTURER REQUIREMENTS

### GAS EQUIPMENT VENTING SYSTEM PROVIDED

When the manufacturer of Product Approved side wall horizontally vented gas equipment provides a venting system design or venting system components with the equipment, the instructions provided by the manufacturer for installation of the equipment and the venting system shall include:

- Detailed instructions for the installation of the venting system design or the venting system components
- A complete parts list for the venting system design or venting system.

### GAS EQUIPMENT VENTING SYSTEM NOT PROVIDED

When the manufacturer of a Product Approved side wall horizontally vented gas fueled equipment does not provide the parts for venting the flue gases, but identifies "special venting systems", the following requirements shall be satisfied by the manufacturer:

- The referenced "special venting system" instructions shall be included with the appliance or equipment installation instructions; and
- The "special venting systems" shall be Product Approved by the Board, and the instructions for that system shall include a parts list and detailed installation instructions.

A copy of all installation instructions for all Product Approved side wall horizontally vented gas fueled equipment, all venting instructions, all parts lists for venting instructions, and/or all venting design instructions shall remain with the appliance or equipment at the completion of the installation.

# TROUBLESHOOTING

**WARNING: TURN OFF, UNPLUG HEATER AND LET COOL BEFORE SERVICING. ONLY A QUALIFIED SERVICE PERSON SHOULD SERVICE AND REPAIR HEATER.**

**CAUTION: NEVER USE A WIRE, NEEDLE OR SIMILAR OBJECT TO CLEAN ODS/PILOT. THIS CAN DAMAGE ODS/PILOT.**

OBSERVED	PROBLEM POSSIBLE CAUSE	SOLUTION
Igniter button is pressed no spark at ODS/Pilot	Igniter electrode positioned incorrectly	Replace igniter
	Igniter electrode broken	Replace igniter
	Igniter electrode not connected to igniter cable	Reconnect igniter cable
	Igniter cable pinched or wet	Free igniter cable if pinched by any metal or tubing. Keep igniter cable dry
	Piezo igniter nut is loose	Tighten nut holding piezo igniter to heater cabinet. Nut is located inside heater cabinet at top
	Broken igniter cable	Replace igniter cable
	Bad piezo igniter	Replace piezo igniter
Igniter button is pressed Spark at ODS/Pilot No Ignition	Gas supply turned off or manual shutoff valve is closed	Turn on gas supply or open manual shutoff valve
	Control knob not in "PILOT" position	Turn control knob to "PILOT" position
	Control knob not pressed in while in "PILOT" position	Press in control knob while in "PILOT" position
	Air in gas lines when installed	Continue to hold down control knob. Repeat igniting operation until air is removed.
	Depleted gas supply	Contact local propane gas company
	ODS/Pilot is clogged	Clean ODS/Pilot or replace ODS/Pilot assembly
	Gas regulator setting is not correct	Replace gas regulator

OBSERVED	PROBLEM POSSIBLE CAUSE	SOLUTION
ODS/PILOT lights but flame goes out when control knob is released	Control knob is not fully pressed in	Press control knob completely
	Control knob not pressed in long enough	After ODS/Pilot lights keep control knob pressed thirty (30) seconds
	Safety interlock system has been triggered (if equipped)	Wait one (1) minute for safety interlock system to reset
	Manual shutoff valve not fully open	Fully open manual shutoff valve
	Thermo-couple connection loose at control valve	Hand tighten until snug, then tighten 1/4 turn
	Pilot flame not touching thermo-couple, which allows thermo-couple to cool, causing pilot flame to go out. This problem can be caused by one or both of the following: A) Low gas pressure B) Dirty or partially clogged ODS/Pilot	A) Contact local propane gas company B) Clean ODS/Pilot (See Cleaning and Maintenance) or replace ODS/Pilot assembly
	Control valve damaged	Replace valve control
Burner does not light after ODS/Pilot is lit	Burner orifice is clogged	Clean burner (see Cleaning and Maintenance) or replace burner orifice
	Inlet gas pressure is too low	Contact local propane gas company
Delayed ignition of burner	Manifold pressure is too low	Contact local propane gas company
	Burner orifice is clogged	Clean burner (see Cleaning and Maintenance) or replace burner orifice
Burner backfiring during combustion	Burner orifice is clogged or damaged	Clean burner (see Cleaning and Maintenance) or replace burner orifice
	Burner damaged	Replace burner
	Gas regulator defective	Replace gas regulator
Slight smoke or odor during initial operation	Residues from manufacturing process	Problem will stop after a few hours of operation
Heater produces a whistling noise when burner is lit	Turning control knob to "HI" position when burner is cold (if equipped with this type of valve)	Turn control knob to "LOW" position and allow to warm
	Air in gas line	Operate burner until air is removed from line. Call local propane company to check gas line
	Air passageways on heater blocked	Observe minimum installation clearances
	Dirty or partially clogged burner orifice	Clean burner or replace orifice



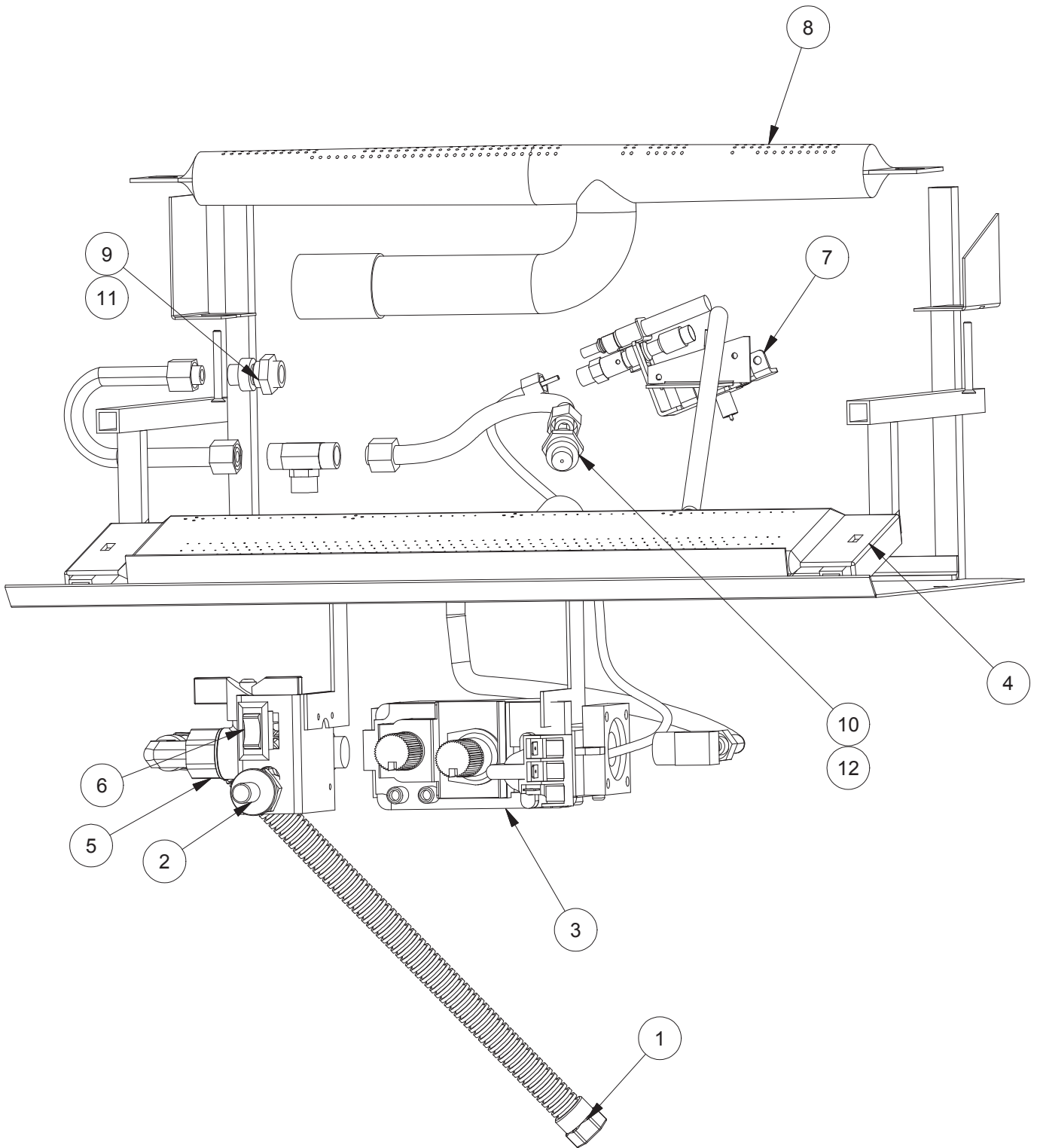
**WARNING:**

**IF YOU SMELL GAS:**

- SHUT OFF GAS SUPPLY
- DO NOT TRY TO LIGHT APPLIANCE
- DO NOT TOUCH ANY ELECTRICAL SWITCH; DO NOT USE ANY PHONE IN YOUR BUILDING
- IMMEDIATELY CALL YOUR GAS SUPPLIER FROM A NEIGHBOR'S PHONE. FOLLOW THE GAS SUPPLIER'S INSTRUCTIONS.
- IF YOU CANNOT REACH YOUR GAS SUPPLIER, CALL THE FIRE DEPARTMENT.

OBSERVED	PROBLEM POSSIBLE CAUSE	SOLUTION
Heater produces a clinking/ticking noise just after burner is lit or shut off	Metal expands while heating or contracts while cooling	This is common with most heaters. If noise is excessive, contact a qualified service person
Heater produces unwanted odors	Heater burning vapors from paint, hairspray, glues, etc. (See Important above)	Ventilate room. Stop using odor causing products while heater is running
	Low fuel supply	Refill supply tank
	Gas leak (See WARNING above)	Locate and control all leaks (See Checking Gas Connections)
Heater shuts off in use (ODS operates)	Not enough fresh air is available	Open window/door for ventilation
	Low line pressure	Contact local propane co.
	ODS/Pilot is partially clogged	Clean ODS/Pilot
Gas odor even when control knob is in OFF position	Gas leak (See WARNING above).	Locate and correct all leaks (see Checking Gas Connections)
	Control valve defect	Replace control valve
Gas odor during combustion	Foreign matter between control valve and burner	Remove foreign matter from gas tubing
	Gas leak (See WARNING above)	Locate and correct all leaks (see Checking Gas Connections)

# SIT MILLIVOLT VALVE BASE



# REPLACEMENT PARTS

KEY	PART NUMBER	PART DESCRIPTION	QTY
1	81212.2	Flex Tube	1
2	89761	Piezo Ignitor	1
3	81196	Control Valve (LP)	1
	81198	Control Valve (NAT)	1
4	81212-6	Bottom Burner	1
5	81212.8	On/Off Valve	1
6	81212.14	(Auto/Off/Auto) Switch	1
7	89921	Pilot Assembly (NAT)	1
	89922	Pilot Assembly (LP)	1
8	81212-11	Top Burner	1
9	81212.16	Upper Burner Orifices (NAT) #46	1
10	81212.20	Upper Burner Orifices (LP) #56	1
11	81212.17	Lower Burner Orifices (NAT) #48	1
12	81212.21	Lower Burner Orifices (LP) #55	1

**Always include correct name, part number and model number of the heater when ordering service parts.**

# SERVICE RECORD

It is recommended that your heating system is serviced regularly and that the appropriate Service Interval Record is completed.

## Service Provider:

Before completing the appropriate Service Record below, please ensure you have carried out the service as described in the manufacturer's instructions. Always use the manufacturer's specified spare part when replacement is necessary.

<b>Service 01</b>	Date: _____
Engineer Name: _____	
License No.: _____	
Company: _____	
Telephone No.: _____	
Stove Inspected: <input type="checkbox"/> Chimney Swept: <input type="checkbox"/>	
Items Replaced: _____	

<b>Service 02</b>	Date: _____
Engineer Name: _____	
License No.: _____	
Company: _____	
Telephone No.: _____	
Stove Inspected: <input type="checkbox"/> Chimney Swept: <input type="checkbox"/>	
Items Replaced: _____	

<b>Service 03</b>	Date: _____
Engineer Name: _____	
License No.: _____	
Company: _____	
Telephone No.: _____	
Stove Inspected: <input type="checkbox"/> Chimney Swept: <input type="checkbox"/>	
Items Replaced: _____	

<b>Service 04</b>	Date: _____
Engineer Name: _____	
License No.: _____	
Company: _____	
Telephone No.: _____	
Stove Inspected: <input type="checkbox"/> Chimney Swept: <input type="checkbox"/>	
Items Replaced: _____	

<b>Service 05</b>	Date: _____
Engineer Name: _____	
License No.: _____	
Company: _____	
Telephone No.: _____	
Stove Inspected: <input type="checkbox"/> Chimney Swept: <input type="checkbox"/>	
Items Replaced: _____	

<b>Service 06</b>	Date: _____
Engineer Name: _____	
License No.: _____	
Company: _____	
Telephone No.: _____	
Stove Inspected: <input type="checkbox"/> Chimney Swept: <input type="checkbox"/>	
Items Replaced: _____	

<b>Service 07</b>	Date: _____
Engineer Name: _____	
License No.: _____	
Company: _____	
Telephone No.: _____	
Stove Inspected: <input type="checkbox"/> Chimney Swept: <input type="checkbox"/>	
Items Replaced: _____	

<b>Service 08</b>	Date: _____
Engineer Name: _____	
License No.: _____	
Company: _____	
Telephone No.: _____	
Stove Inspected: <input type="checkbox"/> Chimney Swept: <input type="checkbox"/>	
Items Replaced: _____	

# Limited Warranty

## VENT-FREE HEATERS

United States Stove Company warrants to the original purchaser its products against premature failure of any component due to workmanship, quality, or materials as follows:

### TIME PERIOD:

Controls/Valves .....	One Year From Time Of Purchase
Thermocouple/Thermopile .....	One Year From Time Of Purchase
All Electrical Components .....	One Year From Time Of Purchase
Combustion Chamber and Burner .....	Five Years From Time Of Purchase

### CLAIM PROCEDURE

Any defects should be reported to United States Stove Company or its dealer and/or distributor giving descriptions and pertinent data, including proof or purchase which will be returned upon request.

Providing the heater has been installed and used in accordance with the Owners Manual supplied with the heater, United States Stove Company will either:

- 1) Replace the defective part free of charge
- 2) Replace the heater free of charge
- 3) Where the defect is of a cosmetic (non-functional) nature, United States Stove Company will bear reasonable expense to refurbish the heater, including such items as welding, painting, and incidental labor. A "Reasonable" is defined by terms of this warranty as \$30.00/hour with full refund for any purchase of parts.

### NOT COVERED

Specifically not covered under terms of this limited warranty or any other warranty are problems relating to smoking or creosote. Smoking is attributable to inadequate draft due to the design or installation of the vent system or installation of the heater itself. Creosote formation is largely attributable to improper operation of the unit and/or draft as mentioned above. Also, not covered are:

- 1) Removal and re-installation cost.
- 2) Service calls to diagnose trouble (unless authorized in writing by the manufacturer, distributor, or dealer).
- 3) Damage or defect caused by improper installation, accidents, misuse, abuse (including over firing) or alteration.
- 4) Transportation or shipping costs.

### LIMITATIONS AND EXCLUSIONS

- 1) United States Stove Company shall not be liable for incidental, consequential, special, or contingent damages anyone might suffer as a result of their breach of this written warranty or any implied warranty.
- 2) Should the heater be replaced by United States Stove Company "free of charge", all further warranty obligations are thereby met.
- 3) Parts and/or service replacements made under the terms of this warranty are warranted only for the remaining period of the original heater warranty.
- 4) Without specific written exclusionary waivers, no one has authority to add to or vary this limited warranty, or to create for United States Stove Company any further obligation of liability in connection with this heater or any other applicable accessory. Any further warranty implication applicable to this heater or any applicable accessory is limited in duration to the same time period as the original statement in the above schedule.

### YOUR DUTIES

- 1) This heater, including all applicable accessories, must be installed and operated in accordance with local authorities having jurisdiction and the instructions furnished with the Owners Manual.
- 2) You should keep as permanent record your proof of purchase (or canceled check or invoice).

### PROBLEM/RESOLUTION

- 1) As purchaser, you must first contact the dealer and/or distributor from whom you purchased your heater.
- 2) If within a reasonable period of time you do not receive satisfactory service from the distributor and/or dealer, write or call United States Stove Company, Customer Service Department, including complete details of the problem and/or problems you are experiencing, details of your installation, your proof of purchase, and the heater serial number or test agency code number.

### WARRANTOR

The warrantor of record is United States Stove Company, PO Box 151, 227 Industrial Drive, South Pittsburg, Tennessee 37380.

Phone number: 800-750-2723.

### NOTE

This warranty gives you specific legal rights; and, you may also have other rights which vary from state to state.

# NOTES

# HOW TO ORDER REPAIR PARTS

THIS MANUAL WILL HELP YOU OBTAIN EFFICIENT, DEPENDABLE SERVICE FROM YOUR APPLIANCE DEALER, AND ENABLE YOU TO ORDER REPAIR PARTS CORRECTLY.

KEEP THIS MANUAL IN A SAFE PLACE FOR FUTURE REFERENCE.

WHEN WRITING, ALWAYS GIVE THE FULL MODEL NUMBER WHICH IS ON THE NAMEPLATE ATTACHED TO THE HEATER.

WHEN ORDERING REPAIR PARTS, ALWAYS GIVE THE FOLLOWING INFORMATION AS SHOWN IN THIS LIST:

1. THE PART NUMBER
2. THE PART DESCRIPTION
3. THE MODEL NUMBER:
4. THE SERIAL NUMBER: \_\_\_\_\_

United States Stove Company  
227 Industrial Park Road  
P.O. Box 151  
South Pittsburg, TN 37380  
(800) 750-2723  
WWW.USSTOVE.COM