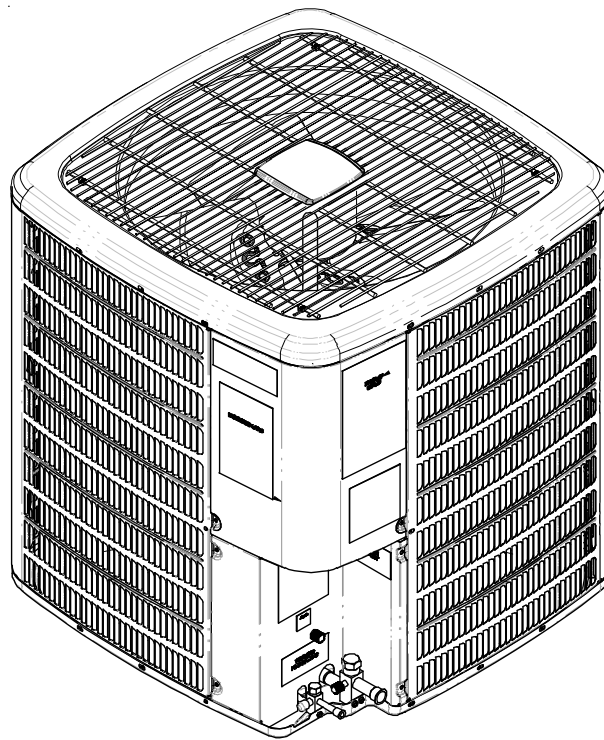


# TECHNICAL MANUAL

## \*SZC 18 SEER Split System Heat Pumps

- Refer to Service Manual RS6200006 for installation, operation, and troubleshooting information.
- All safety information must be followed as provided in the Service Manual.
- Refer to the appropriate Parts Catalog for part number information.
- See models on page 3.

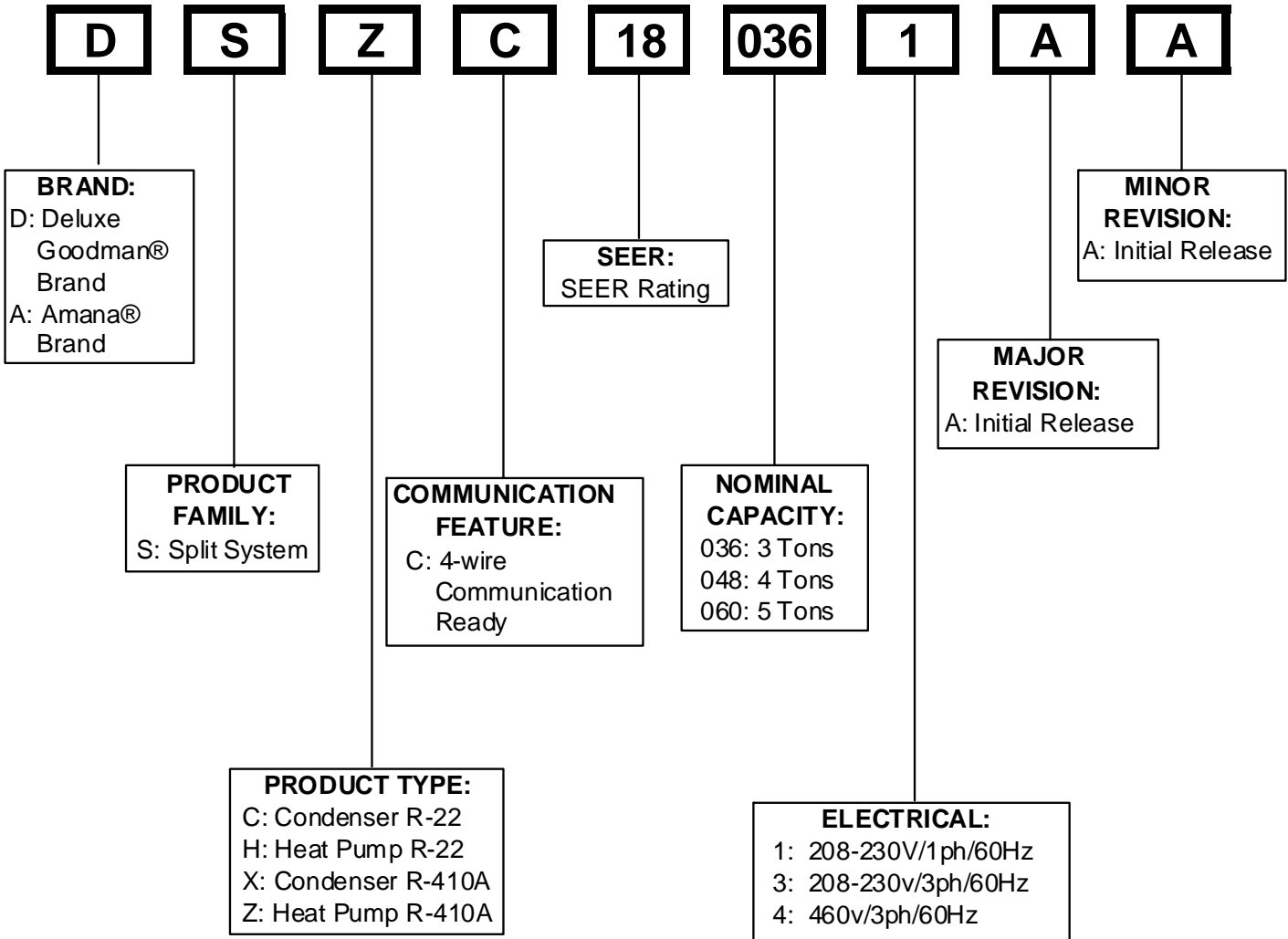


This manual is to be used by qualified, professionally trained HVAC technicians only. Goodman does not assume any responsibility for property damage or personal injury due to improper service procedures or services performed by an unqualified person.

RT6214006r7  
July 2014

# PRODUCT IDENTIFICATION

The model number is used for positive identification of component parts used in manufacturing. Please use this number when requesting service or parts information.



**Amana** is registered trademark of Maytag Corporation or its related entities and is used under license. All rights reserved.

**WARNING**

**HIGH VOLTAGE!**

Disconnect ALL power before servicing or installing this unit. Multiple power sources may be present. Failure to do so may cause property damage, personal injury or death.

**WARNING**

Goodman will not be responsible for any injury or property damage arising from improper service or service procedures. If you install or perform service on this unit, you assume responsibility for any personal injury or property damage which may result. Many jurisdictions require a license to install or service heating and air conditioning equipment.

**WARNING**

Installation and repair of this unit should be performed ONLY by individuals meeting the requirements of an "entry level technician", at a minimum, as specified by the Air-Conditioning, Heating, and Refrigeration Institute (AHRI). Attempting to install or repair this unit without such background may result in product damage, personal injury or death.

# PRODUCT IDENTIFICATION

The model number is used for positive identification of component parts used in manufacturing. Please use this number when requesting service or parts information.

ASZC180361A\*

ASZC180481A\*

ASZC180601A\*

ASZC180601B\*

DSZC180361A\*

DSZC180481A\*

DSZC180601A\*

DSZC180601B\*

*\* Indicates minor revision & is not used for order entry or inventory management*



The United States Environmental Protection Agency (“EPA”) has issued various regulations regarding the introduction and disposal of refrigerants introduced into this unit. Failure to follow these regulations may harm the environment and can lead to the imposition of substantial fines. These regulations may vary by jurisdiction. Should questions arise, contact your local EPA office.



Do not connect or use any device that is not design certified by Goodman for use with this unit. Serious property damage, personal injury, reduced unit performance and/or hazardous conditions may result from the use of such non-approved devices.



To prevent the risk of property damage, personal injury, or death, do not store combustible materials or use gasoline or other flammable liquids or vapors in the vicinity of this appliance.

# PRODUCT DESIGN

Models covered by this manual come with a new 4-wire communicating PCB. When paired with a compatible communicating indoor unit and a communicating thermostat, these models can support 4-wire communication protocol and provide more troubleshooting information. These models are also backward compatible with the legacy thermostat wiring.

\*SZC18 models are available in 3, 4 and 5 ton sizes and use R-410A refrigerant. They are designed for 208/230 volt single phase applications.

The condenser air is pulled through the condenser coil by a direct drive propeller fan. This condenser air is then discharged out of the top of the cabinet.

These units are designed for free air discharge, so no additional resistance like duct work shall be attached.

The suction and liquid line connections on present models are of the sweat type for field piping with refrigerant type copper. Front seating valves are factory installed to accept the field run copper. The total refrigerant charge for a normal installation is factory installed in the condensing unit. \*SZC units are charged for the matching evaporator coil and a 15 foot refrigerant line set.

Systems should be properly sized by heat gain and loss calculations made according to methods of the Air Conditioning Contractors Association (ACCA) or equivalent. It is the contractors responsibility to ensure the system has adequate capacity to heat or cool the conditioned space.

\*SZC models use high-efficiency Copeland® scroll "Ultratech" compressors which are specifically designed for R-410A refrigerant. There are a number of design characteristics which are different from the scroll compared to the traditional reciprocating compressor.

"Ultratech" Series scroll compressors with Copeland® ComfortAlert diagnostics will not have a discharge thermostat. Some of the early model scroll compressors required discharge thermostats.

Due to their design Scroll compressors are inherently more tolerant of small quantities of liquid refrigerant.

**NOTE:** Even though the compressor section of a Scroll compressor is more tolerant of liquid refrigerant, continued floodback or flooded start conditions may wash oil from the bearing surfaces causing premature bearing failure.

"Ultratech" Series scroll compressors use "POE" or polyolester oil which is **NOT** compatible with mineral oil based lubricants like 3GS. "POE" oil must be used if additional oil is required.

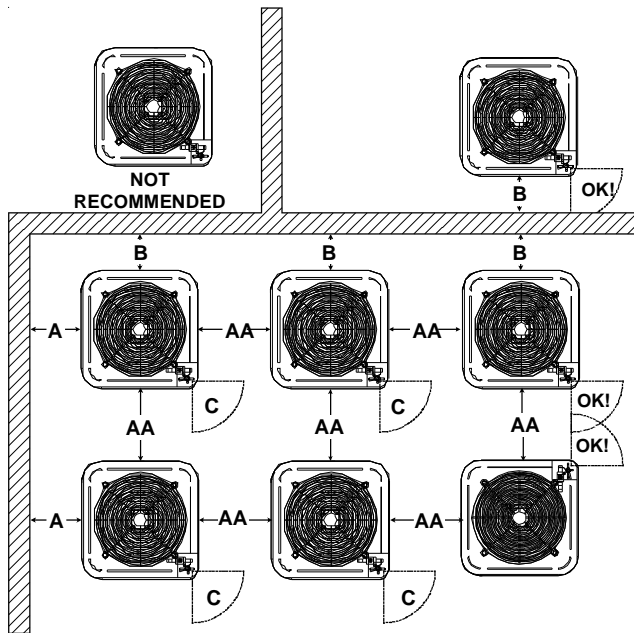
This unit is for outdoor installation only. Refer to figure for minimum clearances from the sides of the unit to full walls and other objects.

**NOTE:** This unit cannot be completely enclosed. At least one side must be unrestricted.

These clearances will help avoid air recirculation. If installing two or more units at the same location, allow at least 24 inches between units. If only one side is restricted (for example, against the outside wall of a house), the unit may be placed as close as 8" to that one wall.

DO **NOT** locate the unit:

- \* Directly under a vent termination for a gas appliance.
- \* Within 3 feet of a clothes drier vent
- \* Where the refreezing of defrost water would create a hazard
- \* Where water may rise into the unit.



Minimum Airflow Clearance				
Model Type	A	B	C	AA
Residential	10"	10"	18"	20"
Light Commercial	12"	12"	18"	24"

Model	Dimensions - W x D x H
*SZC180361A*	35½ x 35½ x 38¼
*SZC180481A*	35½ x 35½ x 38¼
*SZC180601A* *SZC180601B*	35½ x 35½ x 38¼

**⚠ WARNING**

To avoid possible injury, explosion or death, practice safe handling of refrigerants.

Operating pressures and amp draws may differ from standard reciprocating and/or scroll compressors. This information may be found in the "Cooling Performance Data" section.

# HEAT PUMP SPECIFICATIONS

**\*SZC180361A\* - \*SZC180481A\***

	*SZC180361A*	*SZC180361AD	*SZC180481A*	*SZC180481AD
Cooling Capacity, BTUH	35,000	35,000	47,000	47,000
Compressor				
R.L. Amps	16.7	15.3	21.2	21.2
L.R. Amps	82.0	83.0	96.0	104.0
Low Pressure Switch				
Open	22 +/- 7 PSIG	22 +/- 7 PSIG	22 +/- 7 PSIG	22 +/- 7 PSIG
Close	50 +/- 7 PSIG	50 +/- 7 PSIG	50 +/- 7 PSIG	50 +/- 7 PSIG
High Pressure Switch				
Open	610 PSIG	610 PSIG	610 PSIG	610 PSIG
Close	420 PSIG	420 PSIG	420 PSIG	420 PSIG
Condenser Fan Motor				
Horsepower	1/3	1/3	1/3	1/3
F.L. Amps	2.8	2.8	2.8	2.8
Liquid Line, Inches O.D.*	3/8"	3/8"	3/8"	3/8"
Suction Line, Inches O.D.*	7/8"	7/8"	1 1/8"	1 1/8"
Refrigerant Charge	188.0	188.0	278.0	278.0
Power Supply	208/230-60-1	208/230-60-1	208/230-60-1	208/230-60-1
Minimum Circuit Ampacity <sup>(1)</sup>	23.7	21.9	29.3	29.3
Maximum Overcurrent Device <sup>(2)</sup>	40	35	50	50
Electrical Conduit Size				
Power Supply (Inches)	1/2 or 3/4	1/2 or 3/4	1/2 or 3/4	1/2 or 3/4
Approximate Shipping Weight	268	268	330	330

\* Up to 24' in equivalent line length

<sup>(1)</sup> Wire size should be determined in accordance with National Electrical Codes; extensive wire runs will require larger wire sizes.

<sup>(2)</sup> Maximum Overcurrent Protection Device: **MUST** use Time Delay Fuse or HACR type Circuit Breaker of the same size as noted.

## NOTES:

- Always check the serial plate for electrical data on the unit being installed.
- Installer will need to supply 7/8" to 1-1/8" adapters for suction line connections (4 & 5 ton units).
- Installer will need to supply 3/4" to 7/8" adapters for suction line connections (3 ton unit).
- Unit is charged with refrigerant for 15' of 3/8" liquid line. System charge must be adjusted per Installation Instructions Final Charge Procedure.
- Installation of these units requires the specified TXV Kit to be installed on the indoor coil. THE SPECIFIED TXV IS DETERMINED BY THE OUTDOOR UNIT, NOT THE INDOOR COIL.

NOTE: This data is provided as a guide, it is important to electrically connect the unit and properly size fuses/circuit breakers and wires in accordance with all national and/or local electrical codes. Use copper wire only.

Unit specifications are subject to change without notice. **ALWAYS** refer to the unit's serial plate for the most up-to-date general and electrical information.

# HEAT PUMP SPECIFICATIONS

**\*SZC180601A\***

	<b>*SZC180601A*</b>
Cooling Capacity, BTUH	57,000
Compressor	
R.L. Amps	25.6
L.R. Amps	118.0
Low Pressure Switch	
Open	22 + / - 7 PSIG
Close	50 + / - 7 PSIG
High Pressure Switch	
Open	610 PSIG
Close	420 PSIG
Condenser Fan Motor	
Horsepower	1/3
F.L. Amps	2.8
Liquid Line, Inches O.D.*	3/8"
Suction Line, Inches O.D.*	1 1/8
Refrigerant Charge	278.0
Power Supply	208/230-60-1
Minimum Circuit Ampacity <sup>(1)</sup>	34.8
Maximum Overcurrent Device <sup>(2)</sup>	60
Electrical Conduit Size	
Power Supply (Inches)	1/2 or 3/4
Approximate Shipping Weight	345

\* Up to 24' in equivalent line length

<sup>(1)</sup> Wire size should be determined in accordance with National Electrical Codes; extensive wire runs will require larger wire sizes.

<sup>(2)</sup> Maximum Overcurrent Protection Device: **MUST** use Time Delay Fuse or HACR type Circuit Breaker of the same size as noted.

## NOTES:

- Always check the serial plate for electrical data on the unit being installed.
- Installer will need to supply 7/8" to 1-1/8" adapters for suction line connections (4 & 5 ton units).
- Installer will need to supply 3/4" to 7/8" adapters for suction line connections (3 ton unit).
- Unit is charged with refrigerant for 15' of 3/8" liquid line. System charge must be adjusted per Installation Instructions Final Charge Procedure.
- Installation of these units requires the specified TXV Kit to be installed on the indoor coil. THE SPECIFIED TXV IS DETERMINED BY THE OUTDOOR UNIT, NOT THE INDOOR COIL.

NOTE: This data is provided as a guide, it is important to electrically connect the unit and properly size fuses/circuit breakers and wires in accordance with all national and/or local electrical codes. Use copper wire only.

Unit specifications are subject to change without notice. **ALWAYS** refer to the unit's serial plate for the most up-to-date general and electrical information.

# HEAT PUMP SPECIFICATIONS

**\*SZC180601B\***

	*SZC180601B*	*SZC180601BB
Cooling Capacity, BTUH	57,000	57,000
Compressor		
R.L. Amps	23.0	28.8
L.R. Amps	118.0	152.9
Low Pressure Switch		
Open	22 +/- 7 PSIG	22 +/- 7 PSIG
Close	50 +/- 7 PSIG	50 +/- 7 PSIG
High Pressure Switch		
Open	610 PSIG	610 PSIG
Close	420 PSIG	420 PSIG
Condenser Fan Motor		
Horsepower	1/3	1/3
F.L. Amps	2.8	2.8
Liquid Line, Inches O.D.*	3/8"	3/8"
Suction Line, Inches O.D.*	1 1/8	1 1/8
Refrigerant Charge	278.0	278.0
Power Supply	208/230-60-1	208/230-60-1
Minimum Circuit Ampacity <sup>(1)</sup>	31.6	38.8
Maximum Overcurrent Device <sup>(2)</sup>	50	60
Electrical Conduit Size		
Power Supply (Inches)	1/2 or 3/4	1/2 or 3/4
Approximate Shipping Weight	336	336

\* Up to 24' in equivalent line length

<sup>(1)</sup> Wire size should be determined in accordance with National Electrical Codes; extensive wire runs will require larger wire sizes.

<sup>(2)</sup> Maximum Overcurrent Protection Device: **MUST** use Time Delay Fuse or HACR type Circuit Breaker of the same size as noted.

**NOTES:**

- Always check the serial plate for electrical data on the unit being installed.
- Installer will need to supply 7/8" to 1-1/8" adapters for suction line connections (4 & 5 ton units).
- Installer will need to supply 3/4" to 7/8" adapters for suction line connections (3 ton unit).
- Unit is charged with refrigerant for 15' of 3/8" liquid line. System charge must be adjusted per Installation Instructions Final Charge Procedure.
- Installation of these units requires the specified TXV Kit to be installed on the indoor coil. THE SPECIFIED TXV IS DETERMINED BY THE OUTDOOR UNIT, NOT THE INDOOR COIL.

NOTE: This data is provided as a guide, it is important to electrically connect the unit and properly size fuses/circuit breakers and wires in accordance with all national and/or local electrical codes. Use copper wire only.

Unit specifications are subject to change without notice. **ALWAYS** refer to the unit's serial plate for the most up-to-date general and electrical information.



# COOLING PERFORMANCE DATA

# \*SZC180361A\*-LOW STAGE

## EXPANDED PERFORMANCE DATA

## EXPANDED PERFORMANCE DATA

MODEL: \*SZC180361A\* / CA\*F3743\*6\*\* + TXV / MBVC1600\*\*~1\*\* Design Subcooling 5 - 7 °F @ the liquid service valve, AHRI 95° F test conditions

IDB*	Airflow	Outdoor Ambient Temperature												Cooling Operation																																															
		65						75						85						95						105						115																													
		59	63	67	71	75	79	59	63	67	71	75	79	59	63	67	71	75	79	59	63	67	71	75	79	59	63	67	71	75	79	59	63	67	71	75	79																								
70	MBh	22.2	23.0	25.2	-	21.7	22.5	24.6	-	21.2	21.9	24.0	-	20.7	21.4	23.5	-	19.6	20.3	22.3	-	18.2	18.8	20.6	-	20.7	21.4	23.5	-	19.6	20.3	22.3	-	18.2	18.8	20.6	-	20.7	21.4	23.5	-	19.6	20.3	22.3	-	18.2	18.8	20.6	-	20.7	21.4	23.5	-	19.6	20.3	22.3	-	18.2	18.8	20.6	-
	ST	0.70	0.59	0.41	-	0.73	0.61	0.42	-	0.75	0.62	0.43	-	0.77	0.64	0.45	-	0.80	0.67	0.46	-	0.81	0.67	0.47	-	0.77	0.64	0.45	-	0.80	0.67	0.46	-	0.81	0.67	0.47	-	0.77	0.64	0.45	-	0.80	0.67	0.46	-	0.81	0.67	0.47	-	0.77	0.64	0.45	-	0.80	0.67	0.46	-	0.81	0.67	0.47	-
	DT	19	17	13	-	20	17	13	-	20	17	13	-	20	17	13	-	19	17	13	-	18	16	12	-	20	17	13	-	19	17	13	-	18	16	12	-	20	17	13	-	19	17	13	-	18	16	12	-	20	17	13	-	19	17	13	-	18	16	12	-
	KW	1.29	1.32	1.37	-	1.40	1.43	1.48	-	1.50	1.53	1.58	-	1.58	1.61	1.67	-	1.65	1.68	1.75	-	1.71	1.75	1.81	-	1.58	1.61	1.67	-	1.65	1.68	1.75	-	1.71	1.75	1.81	-	1.58	1.61	1.67	-	1.65	1.68	1.75	-	1.71	1.75	1.81	-	1.58	1.61	1.67	-	1.65	1.68	1.75	-	1.71	1.75	1.81	-
	AMPS	5.1	5.2	5.4	-	5.5	5.7	5.9	-	6.0	6.2	6.4	-	6.4	6.6	6.8	-	6.8	7.0	7.2	-	7.2	7.4	7.7	-	6.4	6.6	6.8	-	6.8	7.0	7.2	-	7.2	7.4	7.7	-	6.4	6.6	6.8	-	6.8	7.0	7.2	-	7.2	7.4	7.7	-	6.4	6.6	6.8	-	6.8	7.0	7.2	-	7.2	7.4	7.7	-
	HIPR	201	216	228	-	225	242	256	-	256	276	291	-	292	314	331	-	328	353	373	-	363	390	412	-	292	314	331	-	328	353	373	-	363	390	412	-	292	314	331	-	328	353	373	-	363	390	412	-	292	314	331	-	328	353	373	-	363	390	412	-
	LO PR	106	113	123	-	112	119	130	-	117	124	135	-	123	130	142	-	128	137	149	-	133	141	154	-	123	130	142	-	128	137	149	-	133	141	154	-	123	130	142	-	128	137	149	-	133	141	154	-	123	130	142	-	128	137	149	-	133	141	154	-
	MBh	24.1	24.9	27.3	-	23.5	24.4	26.7	-	22.9	23.8	26.1	-	22.4	23.2	25.4	-	21.3	22.0	24.1	-	19.7	20.4	22.4	-	22.4	23.2	25.4	-	21.3	22.0	24.1	-	19.7	20.4	22.4	-	22.4	23.2	25.4	-	21.3	22.0	24.1	-	19.7	20.4	22.4	-	22.4	23.2	25.4	-	21.3	22.0	24.1	-	19.7	20.4	22.4	-
	ST	0.73	0.61	0.42	-	0.76	0.63	0.44	-	0.78	0.65	0.45	-	0.80	0.67	0.46	-	0.83	0.69	0.48	-	0.84	0.70	0.48	-	0.80	0.67	0.46	-	0.83	0.69	0.48	-	0.84	0.70	0.48	-	0.80	0.67	0.46	-	0.83	0.69	0.48	-	0.84	0.70	0.48	-	0.80	0.67	0.46	-	0.83	0.69	0.48	-	0.84	0.70	0.48	-
	DT	19	16	12	-	19	17	13	-	19	17	13	-	19	17	13	-	19	17	13	-	18	15	12	-	19	17	13	-	19	17	13	-	18	15	12	-	19	17	13	-	19	17	13	-	18	15	12	-	19	17	13	-	19	17	13	-	18	15	12	-
KW	1.33	1.36	1.40	-	1.44	1.47	1.52	-	1.54	1.57	1.63	-	1.62	1.66	1.72	-	1.69	1.73	1.79	-	1.76	1.80	1.86	-	1.62	1.66	1.72	-	1.69	1.73	1.79	-	1.76	1.80	1.86	-	1.62	1.66	1.72	-	1.69	1.73	1.79	-	1.76	1.80	1.86	-	1.62	1.66	1.72	-	1.69	1.73	1.79	-	1.76	1.80	1.86	-	
AMPS	5.3	5.4	5.6	-	5.7	5.8	6.0	-	6.2	6.3	6.5	-	6.6	6.8	7.0	-	7.0	7.2	7.5	-	7.5	7.6	7.9	-	6.6	6.8	7.0	-	7.0	7.2	7.5	-	7.5	7.6	7.9	-	6.6	6.8	7.0	-	7.0	7.2	7.5	-	7.5	7.6	7.9	-	6.6	6.8	7.0	-	7.0	7.2	7.5	-	7.5	7.6	7.9	-	
HIPR	207	223	235	-	232	250	264	-	264	284	300	-	301	324	342	-	338	364	384	-	374	402	425	-	301	324	342	-	338	364	384	-	374	402	425	-	301	324	342	-	338	364	384	-	374	402	425	-	301	324	342	-	338	364	384	-	374	402	425	-	
LO PR	110	117	127	-	116	123	134	-	120	128	140	-	126	134	147	-	132	141	154	-	137	146	159	-	126	134	147	-	132	141	154	-	137	146	159	-	126	134	147	-	132	141	154	-	137	146	159	-	126	134	147	-	132	141	154	-	137	146	159	-	
956	MBh	24.8	25.7	28.1	-	24.2	25.1	27.5	-	23.6	24.5	26.8	-	23.1	23.9	26.2	-	21.9	22.7	24.9	-	20.3	21.0	23.0	-	23.1	23.9	26.2	-	21.9	22.7	24.9	-	20.3	21.0	23.0	-	23.1	23.9	26.2	-	21.9	22.7	24.9	-	20.3	21.0	23.0	-	23.1	23.9	26.2	-	21.9	22.7	24.9	-	20.3	21.0	23.0	-
	ST	0.77	0.64	0.44	-	0.79	0.66	0.46	-	0.81	0.68	0.47	-	0.84	0.70	0.49	-	0.87	0.73	0.50	-	0.88	0.73	0.51	-	0.84	0.70	0.49	-	0.87	0.73	0.50	-	0.88	0.73	0.51	-	0.84	0.70	0.49	-	0.87	0.73	0.50	-	0.88	0.73	0.51	-	0.84	0.70	0.49	-	0.87	0.73	0.50	-	0.88	0.73	0.51	-
	DT	18	16	12	-	18	16	12	-	18	16	12	-	19	16	12	-	18	16	12	-	17	15	11	-	19	16	12	-	18	16	12	-	17	15	11	-	19	16	12	-	18	16	12	-	17	15	11	-	19	16	12	-	18	16	12	-	17	15	11	-
	KW	1.34	1.37	1.42	-	1.45	1.48	1.54	-	1.55	1.58	1.64	-	1.63	1.67	1.73	-	1.71	1.75	1.81	-	1.77	1.81	1.88	-	1.63	1.67	1.73	-	1.71	1.75	1.81	-	1.77	1.81	1.88	-	1.63	1.67	1.73	-	1.71	1.75	1.81	-	1.77	1.81	1.88	-	1.63	1.67	1.73	-	1.71	1.75	1.81	-	1.77	1.81	1.88	-
	AMPS	5.3	5.4	5.6	-	5.7	5.9	6.1	-	6.2	6.4	6.6	-	6.7	6.8	7.1	-	7.1	7.3	7.5	-	7.5	7.7	8.0	-	6.7	6.8	7.1	-	7.1	7.3	7.5	-	7.5	7.7	8.0	-	6.7	6.8	7.1	-	7.1	7.3	7.5	-	7.5	7.7	8.0	-	6.7	6.8	7.1	-	7.1	7.3	7.5	-	7.5	7.7	8.0	-
	HIPR	209	225	237	-	234	252	266	-	267	287	303	-	304	327	345	-	342	368	388	-	377	406	429	-	304	327	345	-	342	368	388	-	377	406	429	-	304	327	345	-	342	368	388	-	377	406	429	-	304	327	345	-	342	368	388	-	377	406	429	-
	LO PR	111	118	128	-	117	124	136	-	121	129	141	-	128	136	148	-	134	142	155	-	138	147	161	-	128	136	148	-	134	142	155	-	138	147	161	-	128	136	148	-	134	142	155	-	138	147	161	-	128	136	148	-	134	142	155	-	138	147	161	-
	MBh	24.5	25.2	27.3	29.3	23.9	24.6	26.6	28.6	23.3	24.0	26.0	27.9	22.8	23.4	25.4	27.2	21.6	22.3	24.1	25.9	20.0	20.6	22.3	24.0	22.8	23.4	25.4	27.2	21.6	22.3	24.1	25.9	20.0	20.6	22.3	24.0	22.8	23.4	25.4	27.2	21.6	22.3	24.1	25.9	20.0	20.6	22.3	24.0	22.8	23.4	25.4	27.2	21.6	22.3	24.1	25.9	20.0	20.6	22.3	24.0
	ST	0.83	0.74	0.56	0.36	0.86	0.77	0.58	0.37	0.88	0.79	0.60	0.38	0.91	0.81	0.62	0.40	0.94	0.85	0.64	0.41	0.95	0.85	0.64	0.41	0.81	0.62	0.40	0.94	0.85	0.64	0.41	0.95	0.85	0.64	0.41	0.81	0.62	0.40	0.94	0.85	0.64	0.41	0.95	0.85	0.64	0.41	0.81	0.62	0.40	0.94	0.85	0.64	0.41	0.95	0.85	0.64	0.41			
	DT	22	20	17	11	22	20	17	12	22	20	17	12	22	21	17	12	22	20	17	12	21	19	16	11	22	21	17	12	22	20	17	12	21	19	16	11	22	21	17	12	22	20	17	12	21	19	16	11	22	21	17	12	22	20	17	12	21	19	16	11
KW	1.34	1.37	1.42	1.47	1.45	1.48	1.54	1.59	1.55	1.59	1.64	1.70	1.64	1.67	1.73	1.79	1.71	1.75	1.81	1.87	1.77	1.81	1.88	1.95	1.64	1.67	1.73	1.79	1.71	1.75	1.81	1.87	1.77	1.8																											



# COOLING PERFORMANCE DATA

# \*SZC180361A\*-LOW STAGE

## EXPANDED PERFORMANCE DATA

## COOLING OPERATION

MODEL: \*SZC180361A\* / CA\*F3743\*6\*\* + TXV / MBVC1600\*\*.-1\*\* Design Subcooling 5 - 7 °F @ the liquid service valve, AHRJ 95° F test conditions

IDB*	Airflow	Outdoor Ambient Temperature																																		
		65					75					85					95					105					115									
		59	63	67	71	75	59	63	67	71	75	59	63	67	71	75	59	63	67	71	75	59	63	67	71	75	59	63	67	71	75					
80	744	23.0	23.5	25.1	26.8	28.5	22.5	22.9	24.5	26.2	27.9	21.9	22.4	23.9	25.6	27.3	21.4	21.8	23.3	25.0	26.7	20.3	20.8	22.2	23.7	25.2	18.8	19.2	20.5	22.0	23.5	17.3	17.7	19.0	20.5	22.0
	850	0.88	0.82	0.67	0.50	0.35	0.91	0.85	0.69	0.52	0.37	0.93	0.87	0.71	0.53	0.35	0.96	0.90	0.73	0.55	0.37	1.00	0.94	0.76	0.57	0.39	1.01	0.94	0.77	0.59	0.41	0.98	0.91	0.73	0.55	0.37
	966	1.32	1.35	1.39	1.44	1.48	1.43	1.46	1.51	1.56	1.61	1.52	1.56	1.61	1.67	1.71	1.61	1.64	1.70	1.76	1.81	1.68	1.72	1.78	1.84	1.89	1.74	1.78	1.84	1.91	1.96	1.79	1.83	1.89	1.96	2.01
		5.2	5.3	5.5	5.7	5.9	5.6	5.8	6.0	6.2	6.4	6.1	6.3	6.5	6.7	6.9	6.5	6.7	6.9	7.2	7.4	7.0	7.1	7.4	7.7	7.9	7.4	7.6	7.8	8.1	8.4	8.0	8.2	8.5	8.8	9.1
		205	220	233	243	250	230	247	261	272	281	261	281	297	310	320	298	320	338	353	360	335	360	380	397	409	370	398	420	438	452	401	425	443	461	477
		108	115	126	134	141	115	122	133	142	149	119	127	138	147	155	125	133	145	155	162	131	139	152	162	170	136	144	157	168	178	141	150	164	175	185
		24.9	25.4	27.2	29.1	31.0	24.3	24.9	26.6	28.4	30.2	23.7	24.3	25.9	27.7	29.5	23.2	23.7	25.3	27.0	28.8	22.0	22.5	24.0	25.7	27.4	20.4	20.8	22.3	23.8	25.4	18.8	19.2	20.7	22.2	23.7
		0.91	0.85	0.69	0.52	0.35	0.94	0.88	0.72	0.54	0.37	0.97	0.91	0.74	0.55	0.37	1.00	0.94	0.76	0.57	0.39	1.00	0.97	0.79	0.59	0.41	1.00	0.98	0.80	0.63	0.46	0.98	0.91	0.73	0.55	0.37
		25	23	20	16	12	25	24	21	17	13	25	24	21	17	13	25	24	21	17	13	24	24	21	16	12	22	22	19	15	11	21	20	17	13	9
		1.35	1.38	1.43	1.48	1.53	1.46	1.50	1.55	1.60	1.65	1.56	1.60	1.65	1.71	1.76	1.65	1.69	1.75	1.81	1.86	1.72	1.76	1.83	1.89	1.94	1.79	1.83	1.89	1.96	2.01	1.85	1.90	1.96	2.03	2.09
	5.4	5.5	5.7	5.9	6.1	5.8	5.9	6.1	6.4	6.6	6.3	6.5	6.7	6.9	7.1	6.7	6.9	7.1	7.4	7.6	7.2	7.3	7.6	7.9	8.1	7.6	7.8	8.0	8.4	8.8	8.2	8.4	8.7	9.1	9.5	
	211	227	240	250	259	237	255	269	281	290	269	290	306	319	330	307	330	349	364	371	345	371	392	409	427	381	410	433	452	471	409	438	461	480	499	
	112	119	130	138	146	118	126	137	146	154	123	131	143	152	161	129	137	150	159	167	135	144	157	167	176	140	149	162	173	184	145	154	167	178	189	
	25.7	26.2	28.0	29.9	31.8	25.1	25.6	27.4	29.2	31.0	24.5	25.0	26.7	28.5	30.3	23.9	24.4	26.0	27.8	29.6	22.7	23.2	24.7	26.5	28.3	21.0	21.5	22.9	24.5	26.1	19.3	19.8	21.2	22.7	24.2	
	0.95	0.90	0.73	0.54	0.35	1.00	0.93	0.75	0.56	0.37	1.00	0.95	0.77	0.58	0.39	1.00	0.94	0.76	0.57	0.39	1.00	1.00	0.83	0.62	0.41	1.00	1.00	0.84	0.63	0.42	0.98	0.91	0.73	0.55	0.37	
	24	23	20	16	12	24	23	20	16	12	24	23	20	16	12	23	23	20	16	12	22	22	20	16	12	20	20	18	15	11	19	18	15	11	7	
	1.36	1.39	1.44	1.49	1.54	1.48	1.51	1.56	1.62	1.67	1.58	1.61	1.67	1.73	1.78	1.66	1.70	1.76	1.83	1.88	1.74	1.78	1.84	1.91	1.96	1.80	1.85	1.91	1.98	2.03	1.85	1.91	1.98	2.05	2.11	
	5.4	5.5	5.7	5.9	6.1	5.9	6.0	6.2	6.4	6.6	6.4	6.5	6.7	7.0	7.2	6.8	7.0	7.2	7.5	7.7	7.2	7.4	7.7	8.0	8.2	7.7	7.9	8.1	8.4	8.7	8.1	8.3	8.5	8.8	9.1	
	213	229	242	253	259	239	257	272	284	292	272	293	309	322	330	310	333	352	367	371	349	375	396	413	427	385	415	438	457	476	409	438	461	480	499	
	113	120	131	140	148	119	127	138	147	155	124	132	144	153	161	130	138	151	161	170	136	145	158	169	178	141	150	164	175	186	145	154	167	178	189	
85	744	23.4	23.8	25.0	26.6	28.2	22.8	23.3	24.4	26.0	27.6	22.3	22.7	23.8	25.4	27.0	21.8	22.2	23.2	24.8	26.4	20.7	21.1	22.1	23.5	25.0	19.1	19.5	20.4	21.8	23.2	17.4	17.8	18.7	20.1	21.5
	850	0.92	0.89	0.80	0.65	0.50	0.95	0.92	0.83	0.67	0.51	0.98	0.94	0.85	0.69	0.52	1.00	0.97	0.88	0.71	0.53	1.00	1.00	0.91	0.74	0.56	1.00	1.00	0.92	0.75	0.57	0.98	0.91	0.73	0.55	0.37
	966	1.33	1.36	1.40	1.45	1.50	1.44	1.47	1.52	1.57	1.62	1.53	1.57	1.62	1.68	1.73	1.62	1.66	1.72	1.78	1.83	1.69	1.73	1.79	1.86	1.91	1.76	1.80	1.86	1.93	1.98	1.81	1.85	1.91	1.98	2.03
		5.3	5.4	5.6	5.8	6.0	5.7	5.8	6.0	6.2	6.4	6.2	6.3	6.5	6.8	7.0	6.6	6.8	7.0	7.3	7.5	7.0	7.2	7.4	7.7	7.9	7.5	7.6	7.9	8.2	8.5	8.0	8.2	8.5	8.8	9.1
		207	223	235	245	252	232	250	264	275	284	264	284	300	313	323	301	323	342	356	364	338	364	384	401	417	374	402	425	443	461	401	425	443	461	479
		109	116	127	135	143	116	123	134	143	151	120	128	140	149	157	126	134	147	156	164	132	141	154	164	172	137	146	159	169	178	141	150	164	175	184
		25.3	25.8	27.1	28.9	30.7	24.7	25.2	26.4	28.2	30.0	24.2	24.6	25.8	27.5	29.3	23.6	24.0	25.2	26.8	28.4	22.4	22.8	23.9	25.5	27.1	20.7	21.1	22.1	23.6	25.1	19.0	19.4	20.4	21.9	23.4
		0.95	0.92	0.83	0.67	0.50	0.99	0.95	0.86	0.70	0.53	1.00	0.98	0.88	0.72	0.55	1.00	1.00	0.91	0.74	0.56	1.00	1.00	0.96	0.77	0.58	1.00	1.00	0.96	0.77	0.58	0.98	0.91	0.73	0.55	0.37
		26	26	24	21	17	26	26	25	21	17	26	26	25	21	17	25	26	25	21	17	24	25	24	21	17	22	23	23	20	16	21	21	18	14	10
		1.36	1.39	1.44	1.49	1.54	1.48	1.51	1.56	1.62	1.67	1.58	1.61	1.67	1.73	1.78	1.66	1.70	1.76	1.83	1.88	1.74	1.78	1.84	1.91	1.96	1.80	1.85	1.91	1.98	2.03	1.85	1.91	1.98	2.05	2.11
	5.4	5.5	5.7	5.9	6.1	5.9	6.0	6.2	6.4	6.6	6.4	6.5	6.7	7.0	7.2	6.8	7.0	7.2	7.5	7.7	7.2	7.4	7.7	8.0	8.2	7.7	7.9	8.1	8.4	8.7	8.1	8.3	8.5	8.8	9.1	
	213	229	242	253	259	239	257	272	284	292	272	293	309	322	330	310	333	352	367	371	349	375	396	413	427	385	415	438	457	476	409	438	461	480	499	
	113	120	131	140	148	119	127	138	147	155	124	132	144	153	161	130	138	151	161	170	136	145	158	169	178	141	150	164	175	186	145	154	167	178	189	
86	744	26.1	26.6	27.9	29.7	31.5	25.5	26.0	27.2	29.0	30.8	24.9	25.4	26.6	28.3	30.1	24.3	24.7	25.9	27.7	29.5	23.1	23.5	24.6	26.3	28.0	21.4	21.8	22.8	24.3	25.8	19.7	20.1	21.0	22.5	24.0
	850	1.00	0.97	0.87	0.71	0.54	1.00	1.00	0.90	0.73	0.56	1.00	1.00	0.93	0.75	0.58	1.00	1.00	0.96	0.78	0.60	1.00	1.00	0.99	0.80	0.62	1.00	1.00	1.00	0.81	0.63	0.98	0.91	0.73	0.55	0.37
	966	1.38	1.41	1.45	1.50	1.55	1.49	1.52	1.58	1.63	1.68	1.59	1.63	1.68	1.74	1.79	1.68	1.72	1.78	1.84	1.89	1.75	1.80	1.86	1.93	1.98	1.82	1.86	1.93	2.00	2.07	1.87	1.91	1.98	2.05	2.11
		5.5	5.6	5.8	6.0	6.2	5.9	6.0	6.2	6.5	6.7	6.4	6.6	6.8	7.0	7.2	6.9	7.0	7.3	7.5	7.7	7.3	7.5	7.7	8.0	8.2	7.7	7.9	8.1	8.4	8.7	8.1	8.3	8.5	8.8	9.1
		215	232	245	255	262	2																													

# COOLING PERFORMANCE DATA

# \*SZC180481A\*-LOW STAGE

## EXPANDED PERFORMANCE DATA

## COOLING OPERATION

MODEL: \*SZC180481A\* / CA\*F4961\*6\*\* + TXV / MBVC2000\*\*\_1\*\* Design Subcooling 5 - 7°F @ the liquid service valve, AHRI 95 test conditions

IDB*	Airflow	Outdoor Ambient Temperature												115												
		75						85							105											
		59	63	67	71	59	63	67	71	59	63	67	71		59	63	67	71								
70	1050	MBh	31.4	32.5	35.7	-	30.7	31.8	34.8	-	29.9	31.0	34.0	-	29.2	30.3	33.2	-	27.7	28.8	31.5	-	25.7	26.6	29.2	-
		ST	0.70	0.58	0.40	-	0.72	0.60	0.42	-	0.74	0.62	0.43	-	0.76	0.64	0.44	-	0.79	0.66	0.46	-	0.80	0.67	0.46	-
		DT	19	17	13	-	19	17	13	-	19	17	13	-	19	17	13	-	19	17	13	-	18	16	12	-
		KW	1.79	1.83	1.89	-	1.94	1.98	2.05	-	2.07	2.12	2.19	-	2.19	2.24	2.32	-	2.28	2.34	2.42	-	2.37	2.43	2.51	-
		AMPS	0.1	0.1	0.1	-	0.1	0.1	0.1	-	0.1	0.1	0.1	-	0.1	0.1	0.1	-	0.1	0.1	0.1	-	0.1	0.1	0.1	-
	1200	HI PR	200	216	228	-	225	242	256	-	256	275	291	-	291	314	331	-	328	353	372	-	362	390	412	-
		LO PR	106	112	123	-	111	119	129	-	116	123	135	-	122	129	141	-	128	136	148	-	132	140	153	-
		MBh	34.0	35.3	38.6	-	33.2	34.4	37.7	-	32.4	33.6	36.8	-	31.6	32.8	35.9	-	30.1	31.2	34.1	-	27.8	28.9	31.6	-
		ST	0.72	0.60	0.42	-	0.75	0.62	0.43	-	0.77	0.64	0.44	-	0.79	0.66	0.46	-	0.82	0.69	0.47	-	0.83	0.69	0.48	-
		DT	19	16	12	-	19	16	12	-	19	16	13	-	19	17	13	-	19	16	12	-	18	15	12	-
1350	KW	1.84	1.88	1.94	-	1.99	2.04	2.11	-	2.13	2.18	2.25	-	2.25	2.30	2.38	-	2.35	2.40	2.49	-	2.44	2.49	2.58	-	
	AMPS	0.1	0.1	0.1	-	0.1	0.1	0.1	-	0.1	0.1	0.1	-	0.1	0.1	0.1	-	0.1	0.1	0.1	-	0.1	0.1	0.1	-	
	HI PR	207	222	235	-	232	250	264	-	264	284	300	-	300	323	341	-	338	364	384	-	373	402	424	-	
	LO PR	109	116	126	-	115	122	133	-	119	127	139	-	125	133	146	-	131	140	153	-	136	145	158	-	
	MBh	35.0	36.3	39.8	-	34.2	35.5	38.9	-	33.4	34.6	37.9	-	32.6	33.8	37.0	-	31.0	32.1	35.2	-	28.7	29.7	32.6	-	
75	1050	ST	0.76	0.63	0.44	-	0.78	0.65	0.45	-	0.80	0.67	0.46	-	0.83	0.69	0.48	-	0.86	0.72	0.50	-	0.87	0.72	0.50	-
		DT	18	16	12	-	18	16	12	-	18	16	12	-	18	16	12	-	18	16	12	-	17	15	11	-
		KW	1.85	1.89	1.96	-	2.01	2.05	2.13	-	2.14	2.20	2.27	-	2.27	2.32	2.40	-	2.37	2.43	2.51	-	2.46	2.52	2.61	-
		AMPS	0.1	0.1	0.1	-	0.1	0.1	0.1	-	0.1	0.1	0.1	-	0.1	0.1	0.1	-	0.1	0.1	0.1	-	0.1	0.1	0.1	-
		HI PR	203	218	230	-	227	245	258	-	258	278	294	-	294	317	334	-	331	356	376	-	366	394	416	-
	1200	LO PR	107	113	124	-	113	120	131	-	117	125	136	-	123	131	143	-	129	137	150	-	133	142	155	-
		MBh	34.6	35.6	38.5	-	33.8	34.8	37.7	-	33.0	34.0	36.8	-	32.2	33.1	35.9	-	30.6	31.5	34.1	-	28.3	29.2	31.6	-
		ST	0.82	0.73	0.55	-	0.85	0.76	0.57	-	0.87	0.78	0.59	-	0.90	0.80	0.61	-	0.93	0.83	0.63	-	0.94	0.84	0.64	-
		DT	22	20	16	-	22	20	17	-	22	20	17	-	22	20	17	-	22	20	16	-	20	19	15	-
		KW	1.85	1.89	1.96	-	2.01	2.05	2.13	-	2.15	2.20	2.27	-	2.27	2.32	2.40	-	2.37	2.43	2.51	-	2.46	2.52	2.61	-
1350	AMPS	0.1	0.1	0.1	-	0.1	0.1	0.1	-	0.1	0.1	0.1	-	0.1	0.1	0.1	-	0.1	0.1	0.1	-	0.1	0.1	0.1	-	
	HI PR	209	225	237	-	234	252	266	-	266	287	303	-	303	326	345	-	341	367	388	-	377	406	429	-	
	LO PR	110	117	128	-	116	123	135	-	121	128	140	-	127	135	147	-	133	141	154	-	137	146	160	-	
	MBh	35.6	36.7	39.7	-	34.8	35.8	38.8	-	34.0	35.0	37.9	-	33.1	34.1	36.9	-	31.5	32.4	35.1	-	29.2	30.0	32.5	-	
	ST	0.86	0.77	0.58	-	0.89	0.80	0.60	-	0.91	0.82	0.62	-	0.94	0.84	0.64	-	0.98	0.87	0.66	-	0.99	0.88	0.67	-	
75	1050	DT	21	19	16	-	21	19	16	-	21	19	16	-	21	20	16	-	21	19	16	-	20	18	15	-
		KW	1.87	1.91	1.98	-	2.03	2.07	2.14	-	2.16	2.22	2.29	-	2.29	2.34	2.42	-	2.39	2.45	2.53	-	2.48	2.54	2.63	-
		AMPS	0.1	0.1	0.1	-	0.1	0.1	0.1	-	0.1	0.1	0.1	-	0.1	0.1	0.1	-	0.1	0.1	0.1	-	0.1	0.1	0.1	-
		HI PR	211	227	240	-	237	255	269	-	269	290	306	-	306	330	348	-	345	371	392	-	381	410	433	-
		LO PR	111	118	129	-	117	125	136	-	122	130	142	-	128	136	149	-	134	143	156	-	137	148	161	-
	1200	MBh	36.6	37.7	40.4	-	35.8	36.8	39.4	-	35.0	36.0	38.6	-	34.2	35.2	38.0	-	32.4	33.4	36.0	-	30.6	31.6	34.1	-
		ST	0.88	0.79	0.60	-	0.91	0.82	0.62	-	0.94	0.84	0.64	-	0.97	0.87	0.67	-	1.00	0.89	0.68	-	1.01	0.90	0.69	-
		DT	22	20	16	-	22	20	17	-	22	20	17	-	22	20	17	-	22	20	16	-	20	19	15	-
		KW	1.85	1.89	1.96	-	2.01	2.05	2.13	-	2.15	2.20	2.27	-	2.27	2.32	2.40	-	2.37	2.43	2.51	-	2.46	2.52	2.61	-
		AMPS	0.1	0.1	0.1	-	0.1	0.1	0.1	-	0.1	0.1	0.1	-	0.1	0.1	0.1	-	0.1	0.1	0.1	-	0.1	0.1	0.1	-
1350	HI PR	209	225	237	-	234	252	266	-	266	287	303	-	303	326	345	-	341	367	388	-	377	406	429	-	
	LO PR	110	117	128	-	116	123	135	-	121	128	140	-	127	135	147	-	133	141	154	-	137	146	160	-	
	MBh	36.6	37.7	40.4	-	35.8	36.8	39.4	-	35.0	36.0	38.6	-	34.2	35.2	38.0	-	32.4	33.4	36.0	-	30.6	31.6	34.1	-	
	ST	0.88	0.79	0.60	-	0.91	0.82	0.62	-	0.94	0.84	0.64	-	0.97	0.87	0.67	-	1.00	0.89	0.68	-	1.01	0.90	0.69	-	
	DT	22	20	16	-	22	20	17	-	22	20	17	-	22	20	17	-	22	20	16	-	20	19	15	-	

Shaded areas ACCA (TVA) conditions IDB: Entering Indoor Dry Bulb Temperature KW=Total system power AMPS=Outdoor unit amps (comp. +fan)  
 High and low pressures are measured at the liquid and suction service valves.

# COOLING PERFORMANCE DATA

# \*SZC180481A\*-LOW STAGE

## EXPANDED PERFORMANCE DATA

## COOLING OPERATION

MODEL: \*SZC180481A\* / CA\*F4961\*6\*\* + TXV / MBVC2000\*\*-\*1\*\* Design Subcooling 5 - 7°F @ the liquid service valve, AHRI 95 test conditions

IDB*	Airflow	Outdoor Ambient Temperature																													
		65					75					85					95					105					115				
		59	63	67	71	75	59	63	67	71	75	59	63	67	71	75	59	63	67	71	75	59	63	67	71	75	59	63	67	71	75
80	1050	MBh	32.5	33.2	35.5	37.9	31.7	32.4	34.6	37.0	31.0	31.7	33.8	36.2	30.2	30.9	33.0	35.3	28.7	29.3	31.3	33.5	26.6	27.2	29.0	31.0					
		ST	0.87	0.81	0.66	0.49	0.90	0.84	0.69	0.51	0.92	0.86	0.70	0.53	0.95	0.89	0.73	0.54	0.99	0.93	0.75	0.56	0.99	0.93	0.76	0.57					
	1200	DT	25	24	21	16	25	24	21	17	25	24	21	17	25	24	21	17	25	24	21	17	25	24	21	15					
		KW	1.82	1.86	1.93	1.99	1.97	2.02	2.09	2.16	2.11	2.16	2.23	2.31	2.23	2.28	2.36	2.44	2.33	2.38	2.47	2.56	2.41	2.47	2.56	2.65					
	1350	AMPS	0.1	0.1	0.1	0.1	0.1	0.1	0.1	0.1	0.1	0.1	0.1	0.1	0.1	0.1	0.1	0.1	0.1	0.1	0.1	0.1	0.1	0.1	0.1	0.1					
		HIPR	205	220	232	242	230	247	261	272	261	281	297	309	297	320	338	352	334	360	380	396	370	398	420	438					
	85	1050	LO PR	108	115	125	133	114	121	132	141	118	126	137	146	124	132	144	154	130	138	151	161	135	143	156	167				
			MBh	35.2	36.0	38.4	41.1	34.4	35.1	37.5	40.1	33.6	34.3	36.6	39.2	32.7	33.5	35.8	38.2	31.1	31.8	34.0	36.3	28.8	29.4	31.5	33.6				
		1200	ST	0.90	0.84	0.69	0.51	0.93	0.87	0.71	0.53	0.96	0.90	0.73	0.54	0.99	0.92	0.75	0.56	1.00	0.96	0.78	0.58	1.00	0.97	0.79	0.59				
			DT	24	23	20	16	25	24	20	16	25	24	20	16	25	24	21	16	24	23	20	16	22	22	22	19	15			
1350		KW	1.87	1.91	1.98	2.05	2.03	2.07	2.15	2.22	2.16	2.22	2.29	2.38	2.29	2.34	2.42	2.51	2.39	2.45	2.54	2.63	2.48	2.54	2.63	2.73					
		AMPS	0.1	0.1	0.1	0.1	0.1	0.1	0.1	0.1	0.1	0.1	0.1	0.1	0.1	0.1	0.1	0.1	0.1	0.1	0.1	0.1	0.1	0.1	0.1	0.1					
85		1050	HIPR	211	227	240	250	237	255	269	280	269	290	306	319	307	330	348	363	345	371	392	409	381	410	433	452				
			LO PR	111	118	129	137	117	125	136	145	122	130	142	151	128	136	149	158	134	143	156	166	139	148	161	172				
		1200	MBh	36.3	37.1	39.6	42.3	35.4	36.2	38.7	41.3	34.6	35.3	37.7	40.3	33.7	34.5	36.8	39.4	32.0	32.7	35.0	37.4	29.7	30.3	32.4	34.6				
			ST	0.94	0.88	0.72	0.54	1.00	0.92	0.75	0.56	1.00	0.94	0.76	0.57	1.00	0.97	0.79	0.59	1.00	1.00	0.82	0.61	1.00	1.00	0.83	0.62				
	1350	DT	23	22	19	15	24	23	20	16	24	23	20	16	23	23	20	16	22	22	20	16	20	21	18	15					
		KW	1.88	1.93	1.99	2.06	2.04	2.09	2.16	2.24	2.18	2.24	2.31	2.40	2.31	2.36	2.45	2.53	2.41	2.47	2.56	2.65	2.50	2.56	2.65	2.75					
	85	1050	AMPS	0.1	0.1	0.1	0.1	0.1	0.1	0.1	0.1	0.1	0.1	0.1	0.1	0.1	0.1	0.1	0.1	0.1	0.1	0.1	0.1	0.1	0.1	0.1	0.1				
			HIPR	207	222	235	245	232	249	263	275	264	284	300	312	300	323	341	356	338	364	384	400	373	402	424	442				
		1200	LO PR	109	116	126	135	115	122	133	142	119	127	139	148	125	133	146	155	131	140	153	163	136	145	158	168				
			MBh	35.8	36.5	38.2	40.8	35.0	35.7	37.4	39.8	34.2	34.8	36.5	38.9	33.3	34.0	35.6	38.0	31.7	32.3	33.8	36.1	29.3	29.9	31.3	33.4				
1350		ST	0.94	0.91	0.82	0.67	0.98	0.94	0.85	0.69	1.00	0.97	0.87	0.71	1.00	1.00	0.90	0.73	1.00	1.00	0.93	0.76	1.00	1.00	0.94	0.76					
		DT	26	25	24	21	26	26	24	21	26	26	24	21	26	26	25	21	24	25	24	21	22	23	23	20					
85		1050	KW	1.88	1.93	1.99	2.06	2.04	2.09	2.16	2.24	2.18	2.24	2.31	2.40	2.31	2.36	2.45	2.53	2.41	2.47	2.56	2.65	2.50	2.56	2.65	2.75				
			AMPS	0.1	0.1	0.1	0.1	0.1	0.1	0.1	0.1	0.1	0.1	0.1	0.1	0.1	0.1	0.1	0.1	0.1	0.1	0.1	0.1	0.1	0.1	0.1	0.1				
		1200	HIPR	213	229	242	252	239	257	272	283	272	292	309	322	310	333	352	367	348	375	396	413	385	414	437	456				
			LO PR	112	119	130	139	118	126	138	147	123	131	143	152	129	138	150	160	136	144	157	168	140	149	163	173				
	1350	MBh	36.9	37.6	39.4	42.0	36.0	36.7	38.5	41.0	35.2	35.9	37.6	40.1	34.3	35.0	36.6	39.1	32.6	33.2	34.8	37.1	30.2	30.8	32.2	34.4					
		ST	0.99	0.95	0.86	0.70	1.00	0.99	0.89	0.72	1.00	1.00	0.91	0.74	1.00	1.00	0.94	0.77	1.00	1.00	0.98	0.79	1.00	1.00	0.99	0.80					
	85	1050	DT	24.82	24	23	20	25	25	23	20	24	24	23	20	23	24	24	20	22	23	23	20	21	21	22	19				
			KW	1.90	1.94	2.01	2.08	2.06	2.11	2.18	2.26	2.20	2.26	2.33	2.42	2.33	2.38	2.47	2.56	2.43	2.49	2.58	2.67	2.53	2.59	2.68	2.78				
		1200	AMPS	0.1	0.1	0.1	0.1	0.1	0.1	0.1	0.1	0.1	0.1	0.1	0.1	0.1	0.1	0.1	0.1	0.1	0.1	0.1	0.1	0.1	0.1	0.1	0.1				
			HIPR	215	231	244	255	241	260	274	286	275	295	312	325	313	336	355	371	352	379	400	417	389	418	442	461				
1350		LO PR	113	120	132	140	120	127	139	148	124	132	144	154	131	139	152	162	137	146	159	169	142	151	164	175					

Shaded area is AHRI Rating Conditions IDB: Entering Indoor Dry Bulb Temperature KW=total system power AMPS=outdoor unit amps (comp. f an)  
 High and low pressures are measured at the liquid and suction service valves.

# COOLING PERFORMANCE DATA

# \*SZC180601A\*-LOW STAGE

## EXPANDED PERFORMANCE DATA

## EXPANDED PERFORMANCE DATA

## COOLING OPERATION

MODEL: \*SZC180601A\*/CA\*F4961\*6\*\* + TXV/MBVC2000\*-1\*\* Design Subcooling 5 - 7 °F @ the liquid service valve, AHRI95 test conditions

IDB*	Airflow	Outdoor Ambient Temperature																								
		65				75				85				95				105				115				
		59	63	67	71	59	63	67	71	59	63	67	71	59	63	67	71	59	63	67	71	59	63	67	71	
70	1050	MBh	37.3	38.6	42.3	-	36.4	37.7	41.3	-	35.5	36.8	40.4	-	34.7	35.9	39.4	-	32.9	34.1	37.4	-	30.5	31.6	34.6	-
		ST	0.65	0.55	0.38	-	0.68	0.57	0.39	-	0.70	0.58	0.40	-	0.72	0.60	0.42	-	0.75	0.62	0.43	-	0.75	0.63	0.43	-
		DT	21	18	14	-	22	19	14	-	22	19	14	-	22	19	14	-	21	19	14	-	20	17	13	-
		KW	227	232	240	-	246	252	261	-	263	270	279	-	278	285	295	-	291	298	309	-	302	310	321	-
		AMPS	8.8	9.0	9.3	-	9.5	9.8	10.1	-	10.4	10.7	11.0	-	11.1	11.4	11.8	-	11.9	12.2	12.6	-	12.6	12.9	13.4	-
		HIPR	200	216	228	-	225	242	256	-	256	275	291	-	291	313	331	-	328	353	372	-	362	390	411	-
		LO PR	101	107	117	-	107	113	124	-	111	118	129	-	116	124	135	-	122	130	142	-	126	134	146	-
		MBh	40.4	41.8	45.9	-	39.4	40.9	44.8	-	38.5	39.9	43.7	-	37.6	38.9	42.7	-	35.7	37.0	40.5	-	33.1	34.3	37.5	-
		ST	0.68	0.57	0.39	-	0.70	0.59	0.41	-	0.72	0.60	0.42	-	0.74	0.62	0.43	-	0.77	0.65	0.45	-	0.78	0.65	0.45	-
		DT	21	18	14	-	21	18	14	-	21	18	14	-	21	19	14	-	21	18	14	-	20	17	13	-
KW	233	239	247	-	253	259	268	-	271	277	287	-	286	293	304	-	299	307	318	-	311	318	330	-		
AMPS	9.1	9.3	9.6	-	9.8	10.1	10.4	-	10.7	11.0	11.4	-	11.5	11.8	12.2	-	12.2	12.5	13.0	-	13.0	13.3	13.8	-		
HIPR	207	222	235	-	232	249	263	-	264	284	300	-	300	323	341	-	338	364	384	-	373	402	424	-		
LO PR	104	111	121	-	110	117	128	-	114	121	133	-	120	128	139	-	126	134	146	-	130	138	151	-		
MBh	41.6	43.1	47.2	-	40.6	42.1	46.1	-	39.7	41.1	45.0	-	38.7	40.1	43.9	-	36.8	38.1	41.7	-	34.0	35.3	38.7	-		
ST	0.71	0.59	0.41	-	0.74	0.62	0.43	-	0.76	0.63	0.44	-	0.78	0.65	0.45	-	0.81	0.68	0.47	-	0.82	0.68	0.47	-		
DT	20	17	13	-	20	18	13	-	20	18	13	-	21	18	14	-	20	18	13	-	19	16	12	-		
KW	235	241	249	-	255	261	271	-	273	280	290	-	289	296	306	-	302	309	321	-	314	321	333	-		
AMPS	9.1	9.4	9.7	-	9.9	10.2	10.5	-	10.8	11.1	11.5	-	11.6	11.9	12.3	-	12.3	12.7	13.1	-	13.1	13.4	13.9	-		
HIPR	209	225	237	-	234	252	266	-	266	287	303	-	303	326	345	-	341	367	388	-	377	406	428	-		
LO PR	105	112	122	-	111	118	129	-	115	123	134	-	121	129	141	-	127	135	147	-	131	140	152	-		
75	1050	MBh	37.9	39.0	42.2	45.3	37.0	38.1	41.3	44.3	36.1	37.2	40.3	43.2	35.3	36.3	39.3	42.2	33.5	34.5	37.3	40.1	31.0	31.9	34.6	37.1
		ST	0.74	0.67	0.50	0.32	0.77	0.69	0.52	0.34	0.79	0.71	0.54	0.34	0.82	0.73	0.55	0.36	0.85	0.76	0.57	0.37	0.85	0.76	0.58	0.37
		DT	25	23	19	13	25	23	19	13	25	23	19	13	25	23	19	13	25	23	19	13	23	21	17	12
		KW	229	234	243	251	249	254	263	273	266	272	282	292	281	288	298	309	294	301	312	323	305	312	324	336
		AMPS	8.9	9.1	9.4	9.8	9.6	9.9	10.2	10.6	10.5	10.8	11.1	11.6	11.2	11.5	11.9	12.4	12.0	12.3	12.7	13.2	12.7	13.1	13.5	14.0
		HIPR	202	218	230	240	227	244	258	269	258	278	294	306	294	317	334	349	331	356	376	392	366	394	416	434
		LO PR	102	108	118	126	108	114	125	133	112	119	130	138	117	125	136	145	123	131	143	152	127	135	148	158
		MBh	41.1	42.3	45.8	49.1	40.1	41.3	44.7	48.0	39.2	40.3	43.6	46.8	38.2	39.3	42.6	45.7	36.3	37.4	40.4	43.4	33.6	34.6	37.5	40.2
		ST	0.77	0.69	0.52	0.34	0.80	0.72	0.54	0.35	0.82	0.73	0.55	0.36	0.85	0.76	0.57	0.37	0.88	0.79	0.59	0.38	0.89	0.79	0.60	0.39
		DT	24	22	18	13	25	23	19	13	25	23	19	13	25	23	19	13	25	23	19	13	23	21	17	12
KW	235	241	249	258	255	261	271	280	273	280	290	300	289	296	306	316	302	309	321	332	314	321	333	345		
AMPS	9.1	9.4	9.7	10.1	9.9	10.2	10.5	10.9	10.8	11.1	11.5	11.9	11.6	11.9	12.3	12.8	12.3	12.7	13.1	13.6	13.1	13.4	13.9	14.5		
HIPR	209	225	237	247	234	252	266	278	266	287	303	316	303	326	345	360	341	367	388	404	377	406	428	447		
LO PR	105	112	122	130	111	118	129	137	111	118	129	137	114	129	141	150	127	135	147	157	131	140	152	162		
MBh	42.3	43.5	47.1	50.6	41.3	42.5	46.0	49.4	40.3	41.5	44.9	48.2	39.3	40.5	43.8	47.1	37.4	38.5	41.7	44.7	34.6	35.6	38.6	41.4		
ST	0.81	0.72	0.55	0.35	0.84	0.75	0.57	0.37	0.86	0.77	0.58	0.37	0.89	0.79	0.60	0.39	0.92	0.82	0.62	0.40	0.93	0.83	0.63	0.40		
DT	23	21	18	12	24	22	18	12	24	22	18	12	24	22	18	12	23	22	18	12	22	20	17	11		
KW	237	243	251	260	258	264	273	283	276	282	292	303	291	298	309	320	305	312	324	335	317	324	336	348		
AMPS	9.2	9.5	9.8	10.2	10.0	10.3	10.6	11.0	10.9	11.2	11.6	12.0	11.7	12.0	12.4	12.9	12.5	12.8	13.2	13.7	13.2	13.6	14.0	14.6		
HIPR	211	227	240	250	237	255	269	280	269	289	306	319	306	330	348	363	345	371	392	409	381	410	433	451		
LO PR	106	113	123	131	112	119	130	139	116	124	135	144	122	130	142	151	128	136	149	159	133	141	154	164		

Shaded area is ACCA (TV) conditions  
 High and low pressures are measured at the liquid and suction service valves.  
 IDB: Entering Indoor Dry Bulb Temperature  
 KW=Total system power  
 AMPS=Outdoor unit amps (comp. fan)



# COOLING PERFORMANCE DATA

# \*SZC180601A\*-LOW STAGE

## EXPANDED PERFORMANCE DATA

## COOLING OPERATION

MODEL: \*SZC180601A\* / CA\*F4961\*6\*\* + TXV / MBVC2000\*-1\*\* Design Subcooling 5 - 7 °F @ the liquid service valve, AHRJ 95 test conditions

IDB*	Airflow	Outdoor Ambient Temperature												Entering Indoor Wet Bulb Temperature												
		65				75				85				95				105				115				
		59	63	67	71	59	63	67	71	59	63	67	71	59	63	67	71	59	63	67	71	59	63	67	71	
80	1050	MBh	38.6	39.4	42.1	45.0	37.7	38.5	41.1	44.0	36.8	37.6	40.2	42.9	35.9	36.7	39.2	41.9	34.1	34.8	37.2	39.8	31.6	32.3	34.5	36.9
		ST	0.82	0.77	0.62	0.47	0.85	0.79	0.65	0.48	0.87	0.81	0.66	0.49	0.89	0.84	0.68	0.51	0.93	0.87	0.71	0.53	0.94	0.88	0.71	0.53
		DT	28	26	23	18	28	27	23	19	28	27	23	19	28	27	23	19	28	27	23	18	26	25	22	17
		KW	2.31	2.36	2.45	2.53	2.51	2.57	2.66	2.75	2.68	2.75	2.84	2.95	2.84	2.90	3.01	3.12	2.97	3.04	3.15	3.26	3.08	3.15	3.27	3.39
		AMPS	9.0	9.2	9.5	9.9	9.7	10.0	10.3	10.7	10.6	10.9	11.2	11.7	11.4	11.6	12.0	12.5	12.1	12.4	12.8	13.4	12.9	13.2	13.6	14.2
	1200	HIPR	204	220	232	242	229	247	261	272	261	281	297	309	297	320	338	352	334	360	380	396	369	398	420	438
		LO PR	103	109	120	127	109	116	126	134	113	120	131	140	119	126	138	147	124	132	144	154	129	137	149	159
		MBh	41.8	42.7	45.6	48.8	40.8	41.7	44.6	47.6	39.8	40.7	43.5	46.5	38.9	39.7	42.4	45.4	36.9	37.7	40.3	43.1	34.2	35.0	37.3	39.9
		ST	0.85	0.79	0.65	0.48	0.88	0.82	0.67	0.50	0.90	0.84	0.69	0.51	0.93	0.87	0.71	0.53	0.96	0.90	0.74	0.55	0.97	0.91	0.74	0.55
		DT	27	26	23	18	27	26	23	18	27	26	23	18	28	26	23	18	27	26	23	18	25	24	21	17
1350	1050	KW	2.37	2.43	2.51	2.60	2.58	2.64	2.73	2.83	2.76	2.82	2.92	3.03	2.91	2.98	3.09	3.20	3.05	3.12	3.24	3.35	3.17	3.24	3.36	3.48
		AMPS	9.2	9.5	9.8	10.2	10.0	10.3	10.6	11.0	10.9	11.2	11.6	12.0	11.7	12.0	12.4	12.9	12.5	12.8	13.2	13.7	13.2	13.6	14.0	14.6
		HIPR	211	227	240	250	237	255	269	280	269	290	306	319	306	330	348	363	345	371	392	409	381	410	433	451
		LO PR	106	113	123	131	112	119	130	139	116	124	135	144	122	130	142	151	128	136	149	159	133	141	154	164
		MBh	43.0	44.0	47.0	50.2	42.0	43.0	45.9	49.1	41.0	41.9	44.8	47.9	40.0	40.9	43.7	46.7	38.0	38.9	41.5	44.4	35.2	36.0	38.5	41.1
	1350	ST	0.89	0.83	0.68	0.51	0.92	0.86	0.70	0.52	0.94	0.88	0.72	0.54	1.00	0.91	0.74	0.56	1.00	0.95	0.77	0.58	1.00	0.96	0.78	0.58
		DT	26	25	22	17	26	25	22	18	26	25	22	18	27	25	22	18	26	25	22	17	24	23	20	16
		KW	2.39	2.45	2.54	2.63	2.60	2.66	2.76	2.86	2.78	2.85	2.95	3.06	2.94	3.01	3.12	3.23	3.08	3.15	3.27	3.38	3.19	3.27	3.39	3.52
		AMPS	9.3	9.5	9.9	10.3	10.1	10.4	10.7	11.1	11.0	11.3	11.7	12.1	11.8	12.1	12.5	13.0	12.6	12.9	13.4	13.9	13.4	13.7	14.2	14.7
		HIPR	213	229	242	252	239	257	271	283	272	292	309	322	309	333	352	367	348	375	396	413	385	414	437	456
85	1050	LO PR	107	114	124	133	113	120	131	140	118	125	137	146	124	131	144	153	130	138	150	160	134	143	156	166
		MBh	39.2	40.0	41.9	44.7	38.3	39.1	40.9	43.7	37.4	38.1	40.0	42.6	36.5	37.2	39.0	41.6	34.7	35.4	37.0	39.5	32.1	32.7	34.3	36.6
		ST	0.86	0.83	0.74	0.60	0.89	0.86	0.77	0.63	0.91	0.88	0.79	0.64	0.94	0.91	0.82	0.66	0.97	0.94	0.85	0.69	0.98	0.95	0.86	0.69
		DT	29	29	27	24	30	29	28	24	30	29	28	24	30	29	28	24	30	29	27	24	28	27	26	22
		KW	2.33	2.39	2.47	2.56	2.53	2.59	2.68	2.78	2.71	2.77	2.87	2.97	2.86	2.93	3.03	3.15	2.99	3.07	3.18	3.29	3.11	3.18	3.30	3.42
	1200	AMPS	9.1	9.3	9.6	10.0	9.8	10.1	10.4	10.8	10.7	11.0	11.3	11.8	11.5	11.8	12.2	12.6	12.2	12.5	13.0	13.5	13.0	13.3	13.8	14.3
		HIPR	207	222	235	245	232	249	263	275	264	284	300	312	300	323	341	356	338	363	384	400	373	402	424	442
		LO PR	104	111	121	129	110	117	128	136	114	121	133	141	120	128	139	148	126	134	146	155	130	138	151	161
		MBh	42.5	43.3	45.4	48.4	41.5	42.3	44.3	47.3	40.5	41.3	43.3	46.2	39.6	40.3	42.2	45.1	37.6	38.3	40.1	42.8	34.8	35.5	37.2	39.6
		ST	0.89	0.86	0.77	0.63	0.92	0.89	0.80	0.65	0.94	0.91	0.82	0.67	0.97	0.94	0.85	0.69	1.00	0.97	0.88	0.71	1.00	0.98	0.89	0.72
1350	DT	29	28	27	23	29	29	27	24	29	29	27	24	29	29	27	24	29	29	27	23	27	27	25	22	
	KW	2.39	2.45	2.54	2.63	2.60	2.66	2.76	2.86	2.78	2.85	2.95	3.06	2.94	3.01	3.12	3.23	3.08	3.15	3.27	3.38	3.19	3.27	3.39	3.52	
	AMPS	9.3	9.5	9.9	10.3	10.1	10.4	10.7	11.1	11.0	11.3	11.7	12.1	11.8	12.1	12.5	13.0	12.6	12.9	13.4	13.9	13.4	13.7	14.2	14.7	
	HIPR	213	229	242	252	239	257	271	283	272	292	309	322	309	333	352	367	348	375	396	413	385	414	437	456	
	LO PR	107	114	124	133	113	120	131	140	118	125	137	146	124	131	144	153	130	138	150	160	134	143	156	166	
1350	MBh	43.8	44.6	46.8	49.9	42.8	43.6	45.7	48.7	41.8	42.6	44.6	47.6	40.7	41.5	43.5	46.4	38.7	39.5	41.3	44.1	35.9	36.5	38.3	40.8	
	ST	0.93	0.90	0.81	0.66	0.96	0.93	0.84	0.68	0.99	0.95	0.86	0.70	1.00	0.98	0.89	0.72	1.00	1.00	0.92	0.75	1.00	1.00	0.93	0.75	
	DT	27.74	27	26	22	28	28	26	23	28	28	26	23	28	28	26	23	26	27	26	22	24	25	24	21	
	KW	2.42	2.47	2.56	2.65	2.62	2.69	2.78	2.88	2.81	2.87	2.98	3.08	2.97	3.04	3.15	3.26	3.10	3.18	3.30	3.42	3.22	3.30	3.42	3.55	
	AMPS	9.4	9.6	10.0	10.4	10.2	10.5	10.8	11.2	11.1	11.4	11.8	12.3	11.9	12.2	12.6	13.1	12.7	13.0	13.5	14.0	13.5	13.8	14.3	14.9	
1350	HIPR	215	231	244	255	241	260	274	286	274	295	312	325	313	336	355	370	352	378	400	417	389	418	442	460	
	LO PR	108	115	126	134	114	122	133	141	119	126	138	147	125	133	145	154	131	139	152	162	135	144	157	167	
	MBh	39.2	40.0	41.9	44.7	38.3	39.1	40.9	43.7	37.4	38.1	40.0	42.6	36.5	37.2	39.0	41.6	34.7	35.4	37.0	39.5	32.1	32.7	34.3	36.6	
	ST	0.86	0.83	0.74	0.60	0.89	0.86	0.77	0.63	0.91	0.88	0.79	0.64	0.94	0.91	0.82	0.66	0.97	0.94	0.85	0.69	0.98	0.95	0.86	0.69	
	DT	29	29	27	24	30	29	28	24	30	29	28	24	30	29	28	24	30	29	27	24	28	27	26	22	

Shaded area is AHRJ Rating Conditions  
High and low pressures are measured at the liquid and suction service valves.

IDB: Entering Indoor Dry Bulb Temperature

KW=Total system power

AMPS=0 outdoor unit amps (comp. +fan)

# COOLING PERFORMANCE DATA

# \*SZC180601B\*-LOW STAGE

## EXPANDED PERFORMANCE DATA

### COOLING OPERATION

### MODEL: \*SZC180601B\* CAPF4961D6 MBVC2000A - LOW STAGE

IDB*	Airflow	Outdoor Ambient Temperature																									
		65				75				85				95				105				115					
		59	63	67	71	59	63	67	71	59	63	67	71	59	63	67	71	59	63	67	71	59	63	67	71		
70	1050	MBh	35.9	37.2	40.7	-	35.0	36.3	39.8	-	34.2	35.5	38.8	-	33.4	34.6	37.9	-	31.7	32.9	36.0	-	29.4	30.4	33.3	-	
		S/T	0.67	0.56	0.39	-	0.70	0.58	0.40	-	0.72	0.60	0.41	-	0.74	0.62	0.43	-	0.77	0.64	0.44	-	0.77	0.65	0.45	-	
		Delta T	21	18	14	-	21	19	14	-	21	19	14	-	22	19	14	-	21	18	14	-	20	17	13	-	
		KW	2.15	2.20	2.27	-	2.33	2.38	2.46	-	2.48	2.54	2.62	-	2.62	2.68	2.77	-	2.73	2.79	2.89	-	2.83	2.90	3.00	-	
		AMPS	7.6	7.8	8.0	-	8.2	8.4	8.7	-	8.9	9.1	9.4	-	9.5	9.7	10.0	-	10.1	10.3	10.7	-	10.7	10.9	11.3	-	
		HIPR	198	213	225	-	222	239	252	-	253	272	287	-	288	310	327	-	324	348	368	-	358	385	406	-	
		LO PR	103	110	120	-	109	116	127	-	113	121	132	-	119	127	138	-	125	133	145	-	129	137	150	-	
		MBh	38.9	40.3	44.1	-	38.0	39.3	43.1	-	37.1	38.4	42.1	-	36.2	37.5	41.1	-	34.3	35.6	39.0	-	31.8	33.0	36.1	-	
		S/T	0.70	0.58	0.40	-	0.72	0.61	0.42	-	0.74	0.62	0.43	-	0.77	0.64	0.44	-	0.80	0.66	0.46	-	0.80	0.67	0.46	-	
		Delta T	21	18	14	-	21	18	14	-	21	18	14	-	21	18	14	-	21	18	14	-	20	17	13	-	
1200	1200	KW	2.21	2.26	2.33	-	2.39	2.44	2.52	-	2.55	2.60	2.69	-	2.69	2.75	2.84	-	2.81	2.87	2.97	-	2.91	2.98	3.08	-	
		AMPS	7.8	8.0	8.3	-	8.4	8.6	8.9	-	9.1	9.4	9.7	-	9.8	10.0	10.3	-	10.4	10.6	11.0	-	11.0	11.2	11.6	-	
		HIPR	204	220	232	-	229	246	260	-	260	280	296	-	297	319	337	-	334	359	379	-	369	397	419	-	
		LO PR	106	113	124	-	112	120	131	-	117	124	136	-	123	131	143	-	129	137	149	-	133	142	155	-	
		MBh	40.0	41.5	45.5	-	39.1	40.5	44.4	-	38.2	39.6	43.3	-	37.2	38.6	42.3	-	35.4	36.7	40.2	-	32.8	34.0	37.2	-	
		S/T	0.73	0.61	0.42	-	0.76	0.63	0.44	-	0.78	0.65	0.45	-	0.80	0.67	0.47	-	0.83	0.70	0.48	-	0.84	0.70	0.49	-	
		Delta T	20	17	13	-	20	18	13	-	20	18	13	-	20	18	13	-	20	17	13	-	19	16	12	-	
		KW	2.22	2.27	2.35	-	2.41	2.46	2.55	-	2.57	2.63	2.72	-	2.71	2.77	2.87	-	2.83	2.90	3.00	-	2.93	3.00	3.11	-	
		AMPS	7.9	8.1	8.3	-	8.5	8.7	9.0	-	9.2	9.4	9.7	-	9.8	10.1	10.4	-	10.5	10.7	11.1	-	11.1	11.3	11.7	-	
		HIPR	206	222	234	-	231	249	263	-	263	283	299	-	300	322	340	-	337	363	383	-	372	401	423	-	
LO PR	107	114	125	-	114	121	132	-	118	126	137	-	124	132	144	-	130	138	151	-	134	143	156	-			
75	1050	MBh	36.5	37.6	40.7	43.6	35.6	36.7	39.7	42.6	34.8	35.8	38.8	41.6	33.9	34.9	37.8	40.6	32.2	33.2	35.9	38.6	29.9	30.7	33.3	35.7	
		S/T	0.77	0.69	0.52	0.33	0.79	0.71	0.54	0.35	0.81	0.73	0.55	0.35	0.84	0.75	0.57	0.37	0.87	0.78	0.59	0.38	0.88	0.79	0.60	0.38	
		Delta T	24	23	18	13	25	23	19	13	25	23	19	13	25	23	19	13	25	23	19	13	23	21	17	12	
		KW	2.17	2.22	2.29	2.37	2.35	2.40	2.48	2.56	2.64	2.50	2.56	2.65	2.74	2.64	2.70	2.79	2.89	2.76	2.82	2.92	3.02	2.86	2.92	3.03	3.13
		AMPS	7.7	7.9	8.1	8.4	8.3	8.5	8.7	9.1	9.0	9.2	9.5	9.8	9.6	9.8	10.1	10.5	10.5	10.2	10.4	10.8	11.2	10.8	11.0	11.4	11.8
		HIPR	200	215	227	237	224	241	255	266	255	275	290	302	291	313	330	344	327	352	372	388	361	389	411	428	
		LO PR	104	111	121	129	110	117	128	136	114	122	133	142	120	128	140	149	126	134	146	156	130	139	151	161	
		MBh	39.5	40.7	44.0	47.3	38.6	39.7	43.0	46.2	37.7	38.8	42.0	45.1	36.8	37.9	41.0	44.0	34.9	36.0	38.9	41.8	32.4	33.3	36.1	38.7	
		S/T	0.79	0.71	0.54	0.35	0.82	0.74	0.56	0.36	0.84	0.76	0.57	0.37	0.87	0.78	0.59	0.38	0.90	0.81	0.61	0.39	0.91	0.82	0.62	0.40	
		Delta T	24	22	18	13	24	22	18	13	24	22	18	13	25	23	19	13	24	22	18	13	23	21	17	12	
1200	1200	KW	2.23	2.28	2.35	2.43	2.41	2.46	2.55	2.63	2.57	2.63	2.72	2.81	2.71	2.77	2.87	2.97	2.83	2.90	3.00	3.10	2.93	3.00	3.11	3.22	
		AMPS	7.9	8.1	8.3	8.6	8.5	8.7	9.0	9.3	9.2	9.4	9.7	10.1	9.8	10.1	10.4	10.8	10.5	10.7	11.1	11.5	11.1	11.3	11.7	12.2	
		HIPR	206	222	234	244	231	249	263	274	263	283	299	312	300	322	341	355	337	363	383	400	372	401	423	441	
		LO PR	107	114	125	133	114	121	132	140	118	126	137	146	124	132	144	153	130	138	151	161	134	143	156	166	
		MBh	40.7	41.9	45.4	48.7	39.8	40.9	44.3	47.6	38.8	40.0	43.3	46.4	37.9	39.0	42.2	45.3	36.0	37.0	40.1	43.0	33.3	34.3	37.1	39.9	
		S/T	0.83	0.75	0.56	0.36	0.86	0.77	0.58	0.38	0.89	0.79	0.60	0.39	0.91	0.82	0.62	0.40	0.95	0.85	0.64	0.41	0.96	0.86	0.65	0.42	
		Delta T	23	21	17	12	23	22	18	12	23	22	18	12	24	22	18	12	23	21	18	12	22	20	16	11	
		KW	2.24	2.29	2.37	2.45	2.43	2.48	2.57	2.66	2.59	2.65	2.74	2.84	2.73	2.80	2.89	3.00	2.85	2.92	3.02	3.13	2.96	3.03	3.14	3.25	
		AMPS	8.0	8.1	8.4	8.7	8.6	8.8	9.1	9.4	9.3	9.5	9.8	10.2	9.9	10.2	10.5	10.9	10.6	10.8	11.2	11.6	11.2	11.4	11.8	12.3	
		HIPR	208	224	237	247	234	251	266	277	266	286	302	315	303	326	344	359	340	366	387	404	376	405	427	446	
LO PR	109	115	126	134	115	122	133	142	119	127	138	147	125	133	145	155	131	140	152	162	136	144	158	168			

Shaded area is ACCA (TVA) conditions IDB: Entering Indoor Dry Bulb Temperature KW= Total system power  
 High and low pressures are measured at the liquid and suction service valves. AMPS= outdoor unit amps (comp.+fan)

# COOLING PERFORMANCE DATA

# \*SZC180601B\*-LOW STAGE

## EXPANDED PERFORMANCE DATA

MODEL: \*SZC180601B\* CAPF4961D6 MBVC2000A - LOW STAGE

### COOLING OPERATION

IDB*	Airflow	Outdoor Ambient Temperature																								
		65				75				85				95				105				115				
		59	63	67	71	59	63	67	71	59	63	67	71	59	63	67	71	59	63	67	71	59	63	67	71	
		Entering Indoor Wet Bulb Temperature																								
		MBh	37.1	37.9	40.5	43.3	36.3	37.1	39.6	42.3	35.4	36.2	38.6	41.3	34.5	35.3	37.7	40.3	32.8	33.5	35.8	38.3	30.4	31.1	33.2	35.5
		S/T	0.84	0.79	0.64	0.48	0.87	0.82	0.67	0.50	0.89	0.84	0.68	0.51	0.92	0.86	0.70	0.53	0.96	0.90	0.73	0.55	0.97	0.91	0.74	0.55
		Delta T	27	26	23	18	28	27	23	18	28	27	23	18	28	27	23	19	27	26	23	18	26	25	21	17
	1050	KW	2.19	2.24	2.31	2.39	2.37	2.42	2.50	2.59	2.52	2.58	2.67	2.76	2.66	2.72	2.82	2.92	2.78	2.84	2.94	3.05	2.88	2.95	3.05	3.16
		AMPS	7.7	7.9	8.2	8.5	8.4	8.5	8.8	9.1	9.1	9.3	9.6	9.9	9.7	9.9	10.2	10.6	10.3	10.5	10.9	11.3	10.9	11.1	11.5	11.9
		HIPR	202	217	230	239	227	244	258	269	258	277	293	306	294	316	334	348	330	355	375	391	365	393	415	433
		LO PR	105	112	122	130	111	118	129	138	116	123	134	143	121	129	141	150	127	135	148	157	132	140	153	163
		MBh	40.2	41.1	43.9	46.9	39.3	40.1	42.9	45.9	38.4	39.2	41.9	44.8	37.4	38.2	40.9	43.7	35.5	36.3	38.8	41.5	32.9	33.6	35.9	38.4
		S/T	0.87	0.82	0.67	0.50	0.90	0.85	0.69	0.52	0.93	0.87	0.71	0.53	0.96	0.90	0.73	0.55	0.99	0.93	0.76	0.57	1.00	0.94	0.76	0.57
		Delta T	27	26	22	18	27	26	23	18	27	26	23	18	27	26	23	18	27	26	23	18	25	24	21	17
	1200	KW	2.24	2.29	2.37	2.45	2.43	2.48	2.57	2.66	2.59	2.65	2.74	2.84	2.73	2.80	2.89	3.00	2.86	2.92	3.02	3.13	2.96	3.03	3.14	3.25
		AMPS	8.0	8.1	8.4	8.7	8.6	8.8	9.1	9.4	9.3	9.5	9.8	10.2	9.9	10.2	10.5	10.9	10.6	10.8	11.2	11.6	11.2	11.4	11.8	12.3
		HIPR	208	224	237	247	234	251	266	277	266	286	302	315	303	326	344	359	341	366	387	404	376	405	428	446
		LO PR	109	116	126	134	115	122	133	142	119	127	138	147	125	133	145	155	131	140	152	162	136	144	158	168
		MBh	41.4	42.3	45.2	48.4	40.5	41.4	44.2	47.2	39.5	40.4	43.1	46.1	38.5	39.4	42.1	45.0	36.6	37.4	40.0	42.7	33.9	34.7	37.0	39.6
		S/T	0.91	0.86	0.70	0.52	0.95	0.89	0.72	0.54	1.00	0.91	0.74	0.55	1.00	0.94	0.77	0.57	1.00	1.00	0.79	0.59	1.00	1.00	0.80	0.60
		Delta T	26	25	21	17	26	25	22	17	27	25	22	17	26	25	22	18	25	25	22	17	23	24	20	16
	1350	KW	2.26	2.31	2.39	2.47	2.45	2.50	2.59	2.68	2.61	2.67	2.77	2.86	2.76	2.82	2.92	3.02	2.88	2.95	3.05	3.16	2.99	3.06	3.16	3.28
		AMPS	8.0	8.2	8.5	8.8	8.7	8.9	9.1	9.5	9.4	9.6	9.9	10.3	10.0	10.3	10.6	11.0	10.7	10.9	11.3	11.7	11.3	11.5	11.9	12.4
		HIPR	210	226	239	249	236	254	268	280	268	289	305	318	306	329	347	362	344	370	391	408	380	409	432	450
		LO PR	110	117	127	136	116	123	135	143	120	128	140	149	126	135	147	156	133	141	154	164	137	146	159	170
		MBh	37.8	38.5	40.3	43.0	36.9	37.6	39.4	42.0	36.0	36.7	38.5	41.0	35.1	35.8	37.5	40.0	33.4	34.0	35.6	38.0	30.9	31.5	33.0	35.2
		S/T	0.88	0.85	0.77	0.62	0.91	0.88	0.80	0.65	0.94	0.90	0.82	0.66	0.97	0.93	0.84	0.68	1.00	0.97	0.87	0.71	1.00	0.98	0.88	0.71
		Delta T	29	29	27	23	30	29	27	24	30	29	27	24	30	29	28	24	29	29	27	24	27	27	25	22
	1050	KW	2.21	2.26	2.33	2.41	2.39	2.44	2.52	2.61	2.54	2.60	2.69	2.79	2.69	2.75	2.84	2.94	2.80	2.87	2.97	3.07	2.91	2.98	3.08	3.19
		AMPS	7.8	8.0	8.3	8.5	8.4	8.6	8.9	9.2	9.1	9.4	9.7	10.0	9.7	10.0	10.3	10.7	10.4	10.6	11.0	11.4	11.0	11.2	11.6	12.0
		HIPR	204	220	232	242	229	246	260	271	260	280	296	309	297	319	337	351	334	359	379	395	369	397	419	437
		LO PR	106	113	124	132	112	120	131	139	117	124	136	144	123	131	142	152	129	137	149	159	133	141	154	165
		MBh	40.9	41.7	43.7	46.6	40.0	40.7	42.7	45.5	39.0	39.8	41.7	44.4	38.1	38.8	40.6	43.4	36.2	36.9	38.6	41.2	33.5	34.2	35.8	38.2
		S/T	0.91	0.88	0.80	0.65	0.95	0.91	0.82	0.67	0.97	0.94	0.85	0.69	1.00	0.97	0.87	0.71	1.00	1.00	0.91	0.74	1.00	1.00	0.91	0.74
		Delta T	29	28	27	23	29	29	27	23	29	29	27	23	29	29	27	24	28	28	27	23	26	26	25	22
	1200	KW	2.26	2.31	2.39	2.47	2.45	2.50	2.59	2.68	2.61	2.67	2.77	2.86	2.76	2.82	2.92	3.02	2.88	2.95	3.05	3.16	2.99	3.06	3.16	3.28
		AMPS	8.0	8.2	8.5	8.8	8.7	8.9	9.1	9.5	9.4	9.6	9.9	10.3	10.0	10.3	10.6	11.0	10.7	10.9	11.3	11.7	11.3	11.5	11.9	12.4
		HIPR	210	226	239	249	236	254	268	280	268	289	305	318	306	329	347	362	344	370	391	408	380	409	432	450
		LO PR	110	117	127	136	116	123	135	143	120	128	140	149	126	135	147	156	133	141	154	164	137	146	159	170
		MBh	42.2	43.0	45.0	48.0	41.2	42.0	44.0	46.9	40.2	41.0	42.9	45.8	39.2	40.0	41.9	44.7	37.3	38.0	39.8	42.4	34.5	35.2	36.8	39.3
		S/T	0.96	0.92	0.83	0.68	0.99	0.96	0.86	0.70	1.00	0.98	0.89	0.72	1.00	1.00	0.92	0.74	1.00	1.00	0.95	0.77	1.00	1.00	0.96	0.78
		Delta T	28	27	26	22	28	27	26	22	27	27	26	22	27	27	26	23	25	26	26	22	24	24	24	21
	1350	KW	2.28	2.33	2.41	2.50	2.47	2.53	2.61	2.70	2.64	2.70	2.79	2.89	2.78	2.85	2.95	3.05	2.91	2.97	3.08	3.19	3.01	3.08	3.19	3.31
		AMPS	8.1	8.3	8.5	8.9	8.7	8.9	9.2	9.6	9.5	9.7	10.0	10.4	10.1	10.4	10.7	11.1	10.7	11.0	11.4	11.8	11.4	11.7	12.0	12.5
		HIPR	212	229	241	252	238	257	271	283	271	292	308	321	309	332	351	366	347	374	395	412	384	413	436	455
		LO PR	111	118	129	137	117	124	136	145	122	129	141	150	128	136	148	158	134	142	155	166	138	147	161	171

Shaded area is ACCA (TVA) conditions  
 High and low pressures are measured at the liquid and suction service valves.  
 IDB: Entering Indoor Dry Bulb Temperature  
 KW=Total system power  
 AMP S=outdoor unit amps (comp.+fan)



# COOLING PERFORMANCE DATA

# \*SZC180361A\*-HIGH STAGE

**EXPANDED PERFORMANCE DATA** **COOLING OPERATION**

**MODEL: \*SZC180361A\*/CA\*F3743\*6\*\* + TXV / MBVC1600\*\*,-1\*\*** **Design Subcooling 5 - 7 °F @the liquid service valve, AHRI 95 test conditions.**

IDB	Airflow	Outdoor Ambient Temperature																								
		65					75					85														
		59	63	67	71	75	59	63	67	71	75	59	63	67	71	75										
70	1094	MBh	30.9	32.1	35.1	-	30.2	31.3	34.3	-	29.5	30.6	33.5	-	28.8	29.8	32.7	-	27.3	28.3	31.0	-	25.3	26.2	28.8	-
		ST	0.70	0.58	0.40	-	0.72	0.60	0.42	-	0.74	0.62	0.43	-	0.77	0.64	0.44	-	0.79	0.66	0.46	-	0.80	0.67	0.46	-
		DT	18	16	12	-	18	16	12	-	18	16	12	-	19	16	12	-	18	16	12	-	17	15	11	-
		KW	2.03	2.07	2.14	-	2.19	2.24	2.31	-	2.33	2.38	2.46	-	2.46	2.51	2.60	-	2.56	2.62	2.71	-	2.66	2.72	2.81	-
		AMPS	7.5	7.7	7.9	-	8.1	8.3	8.6	-	8.8	9.0	9.3	-	9.4	9.7	10.0	-	10.1	10.3	10.7	-	10.7	10.9	11.3	-
	1250	H PR	210	226	239	-	236	254	268	-	268	288	305	-	305	329	347	-	343	370	380	-	379	408	431	-
		LOPR	103	109	119	-	108	115	126	-	113	120	131	-	118	126	138	-	124	132	144	-	128	137	149	-
		MBh	33.5	34.7	38.1	-	32.7	33.9	37.2	-	32.0	33.1	36.3	-	31.2	32.3	35.4	-	29.6	30.7	33.6	-	27.4	28.4	31.2	-
		ST	0.72	0.60	0.42	-	0.75	0.63	0.43	-	0.77	0.64	0.44	-	0.79	0.66	0.46	-	0.82	0.69	0.48	-	0.83	0.69	0.48	-
		DT	18	15	12	-	18	16	12	-	18	16	12	-	18	16	12	-	18	16	12	-	17	15	11	-
1406	KW	2.08	2.13	2.19	-	2.25	2.30	2.37	-	2.39	2.45	2.53	-	2.52	2.58	2.67	-	2.63	2.69	2.78	-	2.73	2.79	2.88	-	
	AMPS	7.7	7.9	8.1	-	8.3	8.5	8.8	-	9.1	9.3	9.6	-	9.7	10.0	10.3	-	10.4	10.6	11.0	-	11.0	11.3	11.7	-	
	H PR	217	233	246	-	243	261	276	-	276	297	314	-	315	339	358	-	364	381	402	-	391	421	445	-	
	LOPR	106	113	123	-	112	119	130	-	116	124	135	-	122	130	142	-	128	136	149	-	132	141	154	-	
	MBh	34.5	36.8	39.2	-	33.7	34.9	38.3	-	32.9	34.1	37.4	-	32.1	33.3	36.5	-	30.5	31.6	34.6	-	28.3	29.3	32.1	-	

IDB	Airflow	Outdoor Ambient Temperature																								
		65					75					85														
		59	63	67	71	75	59	63	67	71	75	59	63	67	71	75										
75	1094	MBh	31.5	32.4	35.1	37.6	30.7	31.6	34.2	36.8	30.0	30.9	33.4	35.9	29.3	30.1	32.6	35.0	27.8	28.6	31.0	33.3	25.8	26.5	28.7	30.8
		ST	0.79	0.71	0.54	0.35	0.82	0.74	0.56	0.36	0.84	0.75	0.57	0.37	0.87	0.78	0.59	0.38	0.90	0.81	0.61	0.39	0.91	0.81	0.62	0.40
		DT	21	19	16	11	21	20	16	11	21	20	16	11	21	20	16	11	21	19	16	11	21	18	15	10
		KW	2.04	2.09	2.16	2.23	2.21	2.26	2.33	2.41	2.36	2.40	2.48	2.57	2.48	2.53	2.62	2.71	2.59	2.64	2.73	2.83	2.68	2.74	2.83	2.93
		AMPS	7.5	7.7	8.0	8.3	8.2	8.4	8.7	9.0	8.9	9.1	9.4	9.8	9.5	9.8	10.1	10.5	10.2	10.4	10.8	11.2	10.8	11.1	11.4	11.9
	1250	H PR	212	228	241	251	238	256	271	282	271	291	308	321	308	332	350	366	347	373	394	411	383	413	436	454
		LOPR	104	110	120	128	110	117	127	136	114	121	132	141	120	127	139	148	125	133	146	155	130	138	151	160
		MBh	34.1	35.1	38.0	40.8	33.3	34.3	37.1	39.8	32.5	33.5	36.2	38.9	31.7	32.6	35.3	37.9	30.1	31.0	33.6	36.0	27.9	28.7	31.1	33.4
		ST	0.82	0.74	0.56	0.36	0.85	0.76	0.58	0.37	0.87	0.78	0.59	0.38	0.90	0.81	0.61	0.39	0.94	0.84	0.63	0.41	0.94	0.84	0.64	0.41
		DT	21	19	16	11	21	19	16	11	21	19	16	11	21	19	16	11	21	19	16	11	19	18	15	10
1406	KW	2.10	2.14	2.21	2.29	2.26	2.32	2.39	2.47	2.41	2.47	2.55	2.64	2.54	2.60	2.69	2.78	2.65	2.72	2.81	2.91	2.75	2.81	2.91	3.01	
	AMPS	7.8	8.0	8.2	8.5	8.4	8.6	8.9	9.3	9.2	9.4	9.7	10.1	9.8	10.1	10.4	10.8	10.5	10.7	11.1	11.5	11.1	11.4	11.8	12.2	
	H PR	219	235	249	259	245	264	279	291	279	300	317	331	318	342	361	377	368	385	406	424	385	425	449	468	
	LOPR	107	114	124	132	113	120	131	140	117	125	136	145	123	131	143	153	129	138	150	160	134	142	155	165	
	MBh	35.1	36.1	39.1	42.0	34.3	35.3	38.2	41.0	33.5	34.5	37.3	40.0	32.7	33.6	36.4	39.1	31.0	31.9	34.6	37.1	28.7	29.6	32.0	34.4	

Shaded area is ACCA (TVA) conditions KW=Total system power

High and low pressures are measured at the liquid and suction service valves. IDB: Entering Indoor Dry Bulb Temperature

AMPS=Outdoor unit amps (comp.+fan)

# COOLING PERFORMANCE DATA

# \*SZC180361A\*-HIGH STAGE

## EXPANDED PERFORMANCE DATA

## COOLING OPERATION

MODEL: \*SZC180361A\*/CA\*F3743\*6\*\* + TXV / MBVC1600\*\* -1\*\* Design Subcooling 5 - 7 °F @the liquid service valve, AHRJ 95 test conditions

		Outdoor Ambient Temperature												Outdoor Ambient Temperature																																																																																																																																																																						
		65						75						85						105						115																																																																																																																																																										
IDB*	Airflow	59	63	67	71	75	79	59	63	67	71	75	79	59	63	67	71	75	79	59	63	67	71	75	79	59	63	67	71	75	79																																																																																																																																																					
		Entering Indoor Wet Bulb Temperature																																																																																																																																																																																		
80	1094	MBh	32.0	32.7	35.0	37.4	31.3	32.0	34.1	36.5	30.5	31.2	33.3	35.6	29.8	30.4	32.5	34.8	28.3	28.9	30.9	33.0	26.2	26.8	28.6	30.6	ST	0.87	0.82	0.86	0.50	0.90	0.85	0.69	0.51	0.92	0.87	0.71	0.53	0.95	0.89	0.73	0.54	0.99	0.93	0.76	0.56	1.00	0.94	0.76	0.57	DT	23	22	20	16	24	23	20	16	24	23	20	16	24	23	20	16	24	23	20	16	24	23	20	16	22	21	18	15	KW	2.06	2.11	2.18	2.25	2.23	2.28	2.35	2.43	2.37	2.42	2.51	2.59	2.50	2.56	2.64	2.73	2.61	2.67	2.76	2.85	2.70	2.76	2.86	2.96	AMPS	7.6	7.8	8.1	8.4	8.3	8.5	8.7	9.1	9.0	9.2	9.5	9.9	9.6	9.9	10.2	10.6	10.3	10.5	10.9	11.3	10.9	11.2	11.5	12.0	H PR	214	231	244	254	240	259	273	285	274	294	311	324	312	335	354	369	350	377	398	415	387	417	440	459	LOPR	105	111	122	130	111	118	129	137	115	122	134	142	121	129	140	149	127	135	147	157	131	139	152	162
	1250	MBh	34.7	35.4	37.9	40.5	33.9	34.6	37.0	39.5	33.1	33.8	36.1	38.6	32.3	33.0	35.2	37.7	30.7	31.3	33.5	35.8	28.4	29.0	31.0	33.1	ST	0.90	0.85	0.69	0.51	0.93	0.88	0.71	0.53	0.96	0.90	0.73	0.55	0.99	0.93	0.76	0.56	1.00	0.96	0.78	0.59	1.00	0.97	0.79	0.59	DT	23	22	19	15	23	22	19	16	23	22	19	16	23	23	20	16	23	22	19	15	21	21	18	14	KW	2.11	2.16	2.23	2.31	2.28	2.33	2.41	2.49	2.43	2.49	2.57	2.66	2.57	2.62	2.71	2.81	2.68	2.74	2.83	2.93	2.77	2.84	2.94	3.04	AMPS	7.8	8.0	8.3	8.6	8.5	8.7	9.0	9.3	9.2	9.5	9.8	10.2	9.9	10.2	10.5	10.9	10.6	10.8	11.2	11.6	11.2	11.5	11.9	12.3	H PR	221	238	251	262	248	267	282	294	282	303	320	334	321	346	365	381	361	389	411	428	399	430	454	473	LOPR	108	115	125	134	114	121	133	141	119	126	138	147	125	133	145	154	131	139	152	162	135	144	157	167				
	1406	MBh	35.7	36.5	39.0	41.7	34.9	35.7	38.1	40.7	34.1	34.8	37.2	39.8	33.2	34.0	36.3	38.8	31.6	32.3	34.5	36.8	29.2	29.9	31.9	34.1	ST	0.95	0.89	0.72	0.54	1.00	0.92	0.75	0.56	1.00	0.94	0.77	0.57	1.00	1.00	0.79	0.59	1.00	1.00	0.82	0.61	1.00	1.00	0.83	0.62	DT	22	21	18	15	23	21	19	15	22	21	19	15	22	22	19	15	21	21	19	15	19	20	17	14	KW	2.13	2.18	2.25	2.33	2.30	2.36	2.43	2.52	2.46	2.51	2.59	2.68	2.59	2.65	2.74	2.83	2.70	2.76	2.86	2.96	2.80	2.86	2.96	3.07	AMPS	7.9	8.1	8.4	8.7	8.6	8.8	9.1	9.4	9.3	9.6	9.9	10.3	10.0	10.2	10.6	11.0	10.7	10.9	11.3	11.7	11.3	11.6	12.0	12.5	H PR	223	240	254	265	250	269	285	297	285	306	324	338	324	349	369	384	365	393	415	433	403	434	458	478	LOPR	109	116	127	135	115	123	134	143	120	127	139	148	126	134	146	156	132	140	153	163	136	145	158	169				
	85	1094	MBh	32.6	33.2	34.8	37.1	31.8	32.4	34.0	36.2	31.1	31.7	33.2	35.4	30.3	30.9	32.4	34.5	28.8	29.3	30.7	32.8	26.7	27.2	28.5	30.4	ST	0.91	0.88	0.79	0.64	0.94	0.91	0.82	0.67	0.97	0.93	0.84	0.68	1.00	0.97	0.87	0.71	1.00	1.00	0.90	0.73	1.00	1.00	0.91	0.74	DT	25	25	23	20	25	25	23	20	25	25	24	20	25	25	24	21	24	25	23	20	22	23	22	19	KW	2.08	2.12	2.19	2.27	2.24	2.29	2.37	2.45	2.39	2.45	2.53	2.61	2.52	2.58	2.67	2.76	2.63	2.69	2.78	2.88	2.73	2.79	2.88	2.98	AMPS	7.7	7.9	8.1	8.5	8.3	8.5	8.8	9.2	9.1	9.3	9.6	10.0	9.7	10.0	10.3	10.7	10.4	10.6	11.0	11.4	11.0	11.3	11.7	12.1	H PR	216	233	246	257	243	261	276	288	276	297	314	327	315	339	358	373	354	381	402	420	391	421	444	464	LOPR	106	113	123	131	112	119	130	138	116	124	135	144	122	130	142	151	128	136	149	158	132	141	154	164			
		1250	MBh	35.3	36.0	37.7	40.2	34.5	35.1	36.8	39.3	33.7	34.3	35.9	38.3	32.8	33.5	35.1	37.4	31.2	31.8	33.3	35.5	28.9	29.5	30.8	32.9	ST	0.95	0.91	0.82	0.67	0.98	0.95	0.85	0.69	1.00	0.97	0.88	0.71	1.00	1.00	0.90	0.73	1.00	1.00	0.94	0.76	1.00	1.00	0.95	0.77	DT	25	24	23	20	25	24	23	20	25	24	23	20	24	24	23	20	23	23	23	20	21	22	21	19	KW	2.13	2.18	2.25	2.33	2.30	2.35	2.43	2.52	2.45	2.51	2.59	2.68	2.59	2.65	2.74	2.83	2.70	2.76	2.86	2.96	2.80	2.86	2.96	3.07	AMPS	7.9	8.1	8.4	8.7	8.6	8.8	9.1	9.4	9.3	9.6	9.9	10.3	10.0	10.2	10.6	11.0	10.7	10.9	11.3	11.7	11.3	11.6	12.0	12.5	H PR	223	240	254	265	250	269	285	297	285	306	324	338	324	349	369	384	365	393	415	433	403	434	458	478	LOPR	109	116	127	135	115	123	134	143	120	127	139	148	126	134	146	156	132	140	153	163	136	145	158	169			
		1406	MBh	36.4	37.1	38.8	41.4	35.5	36.2	37.9	40.4	34.7	35.3	37.0	39.5	33.8	34.5	36.1	38.5	32.1	32.7	34.3	36.6	29.8	30.3	31.8	33.9	ST	0.99	0.96	0.86	0.70	1.00	0.98	0.89	0.73	1.00	1.00	0.92	0.74	1.00	1.00	0.95	0.77	1.00	1.00	0.98	0.80	1.00	1.00	0.99	0.80	DT	24	23	22	19	23	23	22	19	23	23	22	19	22	23	22	19	21	21	22	19	19	20	21	18	KW	2.15	2.20	2.27	2.35	2.32	2.37	2.45	2.54	2.47	2.53	2.62	2.71	2.61	2.67	2.76	2.86	2.72	2.79	2.88	2.98	2.82	2.89	2.99	3.09	AMPS	8.0	8.2	8.5	8.8	8.7	8.9	9.2	9.5	9.4	9.7	10.0	10.4	10.1	10.3	10.7	11.1	10.8	11.0	11.4	11.9	11.4	11.7	12.1	12.6	H PR	225	243	256	267	253	272	287	300	288	310	327	341	328	353	372	388	369	397	419	437	407	438	463	483	LOPR	110	117	128	136	116	124	135	144	121	129	141	150	127	135	148	157	133	142	155	165	138	147	160	170			

Shaded areas is AHRI Rating Conditions IDB: Entering Indoor Dry Bulb Temperature KW=Total system power AMPS=Outdoor unit amps (comp. +fan)  
 High and low pressures are measured at the liquid and suction service valves.

# COOLING PERFORMANCE DATA

# \*SZC180481A\*-HIGH STAGE

## EXPANDED PERFORMING DATA

## EXPANDED PERFORMANCE DATA

MODEL: \*SZC180481A\* / CA\*F4961\*6\*\* + TXV / MBVC2000\*-1\*\* Design Subcooling 5 - 7 °F @the liquid service valve, AHR1 95 test conditions

		Outdoor Ambient Temperature																													
		75					85					95					105					115									
IDB*	Airflow	59	63	67	71	75	79	83	87	91	95	99	103	107	111	115	119	123	127	131	135	139	143	147	151	155	159	163	167	171	175
70	1531	MBh	439	455	499	-	429	44.4	48.7	-	41.9	43.4	47.5	-	40.8	42.3	46.4	-	38.8	40.2	44.1	-	35.9	37.3	40.8	-	35.9	37.3	40.8	-	
	S/T	0.63	0.38	0.40	-	0.72	0.60	0.42	-	0.74	0.62	0.43	-	0.76	0.64	0.44	-	0.79	0.66	0.46	-	0.80	0.66	0.46	-	0.80	0.66	0.46	-		
	DT	18	16	12	-	19	16	12	-	19	16	12	-	19	16	12	-	19	16	12	-	18	16	12	-	17	15	11	-		
	KW	2.78	2.84	2.94	-	3.00	3.07	3.17	-	3.20	3.27	3.37	-	3.37	3.44	3.56	-	3.51	3.59	3.71	-	3.64	3.72	3.84	-	3.64	3.72	3.84	-		
	AMPS	99	102	105	-	107	110	114	-	117	120	124	-	126	129	133	-	134	137	142	-	142	146	151	-	142	146	151	-		
	HI PR	206	222	234	-	231	249	263	-	263	283	299	-	299	322	340	-	337	362	383	-	372	400	423	-	372	400	423	-		
	LO PR	102	108	118	-	108	114	126	-	112	119	130	-	117	125	136	-	123	131	143	-	127	135	148	-	127	135	148	-		
	MBh	476	493	540	-	465	48.2	52.8	-	45.4	47.0	51.5	-	44.3	45.9	50.3	-	42.0	43.6	47.7	-	38.9	40.4	44.2	-	38.9	40.4	44.2	-		
	S/T	0.72	0.60	0.42	-	0.75	0.62	0.43	-	0.76	0.64	0.44	-	0.79	0.66	0.46	-	0.82	0.68	0.47	-	0.83	0.69	0.48	-	0.83	0.69	0.48	-		
	DT	18	16	12	-	18	16	12	-	18	16	12	-	18	16	12	-	18	16	12	-	17	15	11	-	17	15	11	-		
KW	2.86	2.92	3.01	-	3.08	3.15	3.25	-	3.28	3.35	3.46	-	3.45	3.53	3.65	-	3.60	3.68	3.81	-	3.73	3.82	3.95	-	3.73	3.82	3.95	-			
AMPS	102	105	108	-	111	113	117	-	121	124	128	-	129	133	137	-	138	141	146	-	147	150	156	-	147	150	156	-			
HI PR	212	229	241	-	238	256	271	-	271	292	308	-	309	332	351	-	347	374	395	-	384	413	436	-	384	413	436	-			
LO PR	105	112	122	-	111	118	129	-	115	123	134	-	121	129	141	-	127	135	147	-	131	140	152	-	131	140	152	-			
MBh	490	508	556	-	479	49.6	54.3	-	46.7	48.4	53.1	-	45.6	47.2	51.8	-	43.3	44.9	49.2	-	40.1	41.6	45.5	-	40.1	41.6	45.5	-			
S/T	0.75	0.63	0.44	-	0.78	0.65	0.45	-	0.80	0.67	0.46	-	0.83	0.69	0.48	-	0.86	0.72	0.50	-	0.87	0.72	0.50	-	0.87	0.72	0.50	-			
DT	17	15	11	-	17	15	11	-	17	15	11	-	18	15	12	-	17	15	11	-	16	14	11	-	16	14	11	-			
KW	2.88	2.94	3.04	-	3.10	3.17	3.28	-	3.31	3.38	3.49	-	3.48	3.56	3.68	-	3.63	3.72	3.84	-	3.76	3.85	3.98	-	3.76	3.85	3.98	-			
AMPS	103	106	109	-	112	115	118	-	122	125	129	-	131	134	139	-	139	143	148	-	148	152	157	-	148	152	157	-			
HI PR	214	231	244	-	241	259	273	-	274	295	311	-	312	335	354	-	351	377	399	-	387	417	440	-	387	417	440	-			
LO PR	106	113	123	-	112	119	130	-	116	124	135	-	122	130	142	-	128	136	149	-	132	141	154	-	132	141	154	-			

		Outdoor Ambient Temperature																													
		75					85					95					105					115									
IDB*	Airflow	59	63	67	71	75	79	83	87	91	95	99	103	107	111	115	119	123	127	131	135	139	143	147	151	155	159	163	167	171	175
75	1531	MBh	447	460	498	534	436	44.9	48.6	52.2	42.6	43.8	47.4	50.9	41.5	42.8	46.3	49.7	39.5	40.6	44.0	47.2	36.6	37.6	40.7	43.7	36.6	37.6	40.7	43.7	
	S/T	0.79	0.70	0.53	0.34	0.82	0.73	0.55	0.36	0.84	0.75	0.57	0.36	0.86	0.77	0.59	0.38	0.90	0.80	0.61	0.39	0.90	0.81	0.61	0.39	0.90	0.81	0.61	0.39		
	DT	21	19	16	11	21	20	16	11	21	20	16	11	22	20	16	11	22	20	16	11	21	20	16	11	20	18	15	10	10	
	KW	2.81	2.87	2.96	3.06	3.03	3.09	3.20	3.30	3.22	3.29	3.40	3.52	3.39	3.47	3.59	3.71	3.54	3.62	3.74	3.87	3.67	3.75	3.88	4.01	3.67	3.75	3.88	4.01		
	AMPS	100	103	106	110	109	111	115	120	118	121	126	130	127	130	135	140	135	140	149	149	144	149	144	149	144	149	152	159	15.9	
	HI PR	208	224	236	247	233	251	265	277	266	286	302	315	302	325	344	358	340	366	387	403	376	405	427	446	376	405	427	446		
	LO PR	103	109	119	127	109	116	126	134	113	120	131	140	119	126	138	147	124	132	144	154	129	137	149	159	129	137	149	159		
	MBh	484	498	539	579	473	48.6	52.7	56.5	46.1	47.5	51.4	55.2	45.0	46.3	50.2	53.8	42.8	44.0	47.6	51.1	39.6	40.8	44.1	47.4	39.6	40.8	44.1	47.4		
	S/T	0.82	0.73	0.56	0.36	0.86	0.76	0.57	0.37	0.87	0.78	0.59	0.38	0.90	0.80	0.61	0.39	0.93	0.83	0.63	0.41	0.94	0.84	0.64	0.41	0.94	0.84	0.64	0.41		
	DT	21	19	16	11	21	19	16	11	21	19	16	11	21	20	16	11	21	20	16	11	20	18	15	10	20	18	15	10	10	
KW	2.88	2.94	3.04	3.14	3.11	3.17	3.28	3.39	3.31	3.38	3.49	3.61	3.48	3.56	3.68	3.81	3.63	3.72	3.84	3.98	3.76	3.85	3.98	4.12	3.76	3.85	3.98	4.12			
AMPS	103	106	109	113	112	115	118	123	122	125	129	134	131	134	139	144	142	145	150	150	148	152	157	163	148	152	157	163			
HI PR	215	231	244	254	241	259	274	285	274	295	311	324	312	336	354	370	351	377	399	416	388	417	440	459	388	417	440	459			
LO PR	106	113	123	131	112	119	130	138	116	124	135	144	122	130	142	151	128	136	149	158	133	141	154	164	133	141	154	164			
MBh	498	513	555	596	487	50.1	54.2	58.2	47.5	48.9	52.9	56.8	46.4	47.7	51.7	55.4	44.0	45.3	49.1	52.7	40.8	42.0	45.5	48.8	40.8	42.0	45.5	48.8			
S/T	0.86	0.77	0.58	0.37	0.89	0.79	0.60	0.39	0.91	0.81	0.62	0.40	0.94	0.84	0.64	0.41	0.98	0.87	0.66	0.42	0.98	0.88	0.67	0.43	0.98	0.88	0.67	0.43			
DT	20	18	15	10	20	19	15	11	20	19	15	11	20	19	15	11	20	18	15	11	19	17	14	10	19	17	14	10	10		
KW	2.90	2.96	3.06	3.16	3.13	3.20	3.31	3.42	3.33	3.41	3.52	3.64	3.51	3.59	3.71	3.84	3.67	3.75	3.88	4.01	3.80	3.88	4.02	4.16	3.80	3.88	4.02	4.16			
AMPS	104	107	110	114	113	116	120	124	123	126	130	136	132	135	140	145	141	144	149	155	149	153	159	165	149	153	159	165			
HI PR	217	233	246	257	243	262	276	288	277	298	314	328	315	339	358	373	354	381	403	420	391	421	445	464	391	421	445	464			
LO PR	107	114	124	132	113	120	131	140	118	125	137	145	123	131	143	153	129	138	150	160	134	142	155	166	134	142	155	166			

Shaded area is ACCA (TV) conditions  
 High and low pressures are measured at the liquid and suction service valves.  
 IDB: Entering Indoor Dry Bulb Temperature  
 KWF: Total system power  
 AMPs: outdoor unit amps (comp.-fan)

# COOLING PERFORMANCE DATA

# \*SZC180481A\*-HIGH STAGE

## EXPANDED PERFORMANCE DATA

## COOLING OPERATION

MODEL: \*SZC180481A\* / CA\*F4961\*6\*\* + TXV / MBVC2000\*-1\*\* Design Subcooling 5 - 7 °F @ the liquid service valve, AHRI 95 test conditions

IDB*	Airflow	Outdoor Ambient Temperature																								
		65				75				85				95				105				115				
		59	63	67	71	59	63	67	71	59	63	67	71	59	63	67	71	59	63	67	71	59	63	67	71	
80	1531	MBh	45.4	46.4	49.6	53.0	44.4	45.4	48.5	51.8	43.3	44.3	47.3	50.6	42.3	43.2	46.2	49.3	40.2	41.0	43.8	46.9	37.2	38.0	40.6	43.4
		S/T	0.86	0.81	0.66	0.49	0.90	0.84	0.68	0.51	0.92	0.86	0.70	0.52	0.95	0.89	0.72	0.54	0.98	0.92	0.75	0.56	0.99	0.93	0.76	0.57
		DT	24	23	20	16	24	23	20	16	24	23	20	16	24	23	20	16	24	23	20	16	22	21	18	15
		KW	2.83	2.89	2.98	3.08	3.05	3.12	3.22	3.33	3.25	3.32	3.43	3.55	3.42	3.50	3.62	3.74	3.57	3.65	3.78	3.91	3.70	3.78	3.91	4.06
		AMPS	10.1	10.4	10.7	11.1	11.0	11.2	11.6	12.1	11.9	12.3	12.7	13.2	12.8	13.1	13.6	14.1	13.7	14.0	14.5	15.1	14.5	14.9	15.4	16.0
		HI PR	2.10	2.26	2.39	2.49	2.36	2.54	2.68	2.80	2.68	2.89	3.05	3.18	3.06	3.29	3.47	3.62	3.44	3.70	3.91	4.07	3.80	4.09	4.32	4.50
		LO PR	1.04	1.10	1.21	1.28	1.10	1.17	1.27	1.36	1.14	1.21	1.32	1.41	1.20	1.27	1.39	1.48	1.26	1.34	1.46	1.55	1.30	1.38	1.51	1.61
		MBh	49.2	50.3	53.8	57.5	48.1	49.1	52.5	56.1	46.9	48.0	51.3	54.8	45.8	46.8	50.0	53.5	43.5	44.5	47.5	50.8	40.3	41.2	44.0	47.0
		S/T	0.90	0.84	0.68	0.51	0.93	0.87	0.71	0.53	0.95	0.89	0.73	0.54	0.98	0.92	0.75	0.56	1.00	0.96	0.78	0.58	1.00	0.97	0.79	0.59
		DT	23	22	19	15	23	22	20	16	23	23	20	16	24	23	20	16	23	22	19	16	21	21	18	15
KW	2.90	2.96	3.06	3.16	3.13	3.20	3.31	3.42	3.33	3.41	3.52	3.64	3.51	3.59	3.71	3.84	3.67	3.75	3.88	4.01	3.80	3.88	4.02	4.16		
AMPS	10.4	10.7	11.0	11.5	11.3	11.6	12.0	12.4	12.3	12.6	13.0	13.6	13.2	13.5	14.0	14.5	14.1	14.4	14.9	15.5	14.9	15.3	15.9	16.5		
HI PR	2.17	2.33	2.46	2.57	2.43	2.62	2.76	2.88	2.77	2.98	3.14	3.28	3.15	3.39	3.58	3.73	3.54	3.81	4.03	4.20	3.91	4.21	4.45	4.64		
LO PR	1.07	1.14	1.24	1.32	1.13	1.20	1.31	1.40	1.18	1.25	1.37	1.45	1.23	1.31	1.43	1.51	1.29	1.38	1.50	1.60	1.34	1.42	1.55	1.66		
MBh	50.7	51.8	55.4	59.2	49.5	50.6	54.1	57.8	48.4	49.4	52.8	56.4	47.2	48.2	51.5	55.1	44.8	45.8	48.9	52.3	41.5	42.4	45.3	48.4		
S/T	0.94	0.88	0.72	0.54	1.00	0.91	0.74	0.56	1.00	0.94	0.76	0.57	1.00	0.97	0.79	0.59	1.00	1.00	0.82	0.61	1.00	1.00	0.82	0.62		
DT	22	21	19	15	23	22	19	15	23	22	19	15	22	21	19	15	21	21	19	15	19	19	17	14		
KW	2.93	2.99	3.09	3.19	3.16	3.23	3.33	3.45	3.36	3.44	3.55	3.67	3.54	3.62	3.75	3.87	3.70	3.78	3.91	4.05	3.83	3.92	4.06	4.19		
AMPS	10.5	10.8	11.1	11.6	11.4	11.7	12.1	12.5	12.4	12.7	13.2	13.7	13.3	13.6	14.1	14.7	14.2	14.6	15.1	15.7	15.1	15.5	16.0	16.6		
HI PR	2.19	2.36	2.49	2.59	2.46	2.64	2.79	2.91	2.79	3.01	3.17	3.31	3.18	3.42	3.61	3.77	3.58	3.85	4.07	4.24	3.95	4.26	4.49	4.69		
LO PR	1.08	1.15	1.26	1.34	1.14	1.22	1.33	1.41	1.19	1.26	1.38	1.47	1.25	1.33	1.45	1.54	1.31	1.39	1.52	1.62	1.35	1.44	1.57	1.67		
MBh	46.2	47.1	49.4	52.7	45.2	46.0	48.2	51.4	44.1	44.9	47.1	50.2	43.0	43.8	46.9	49.0	40.9	41.7	43.6	46.5	37.9	38.6	40.4	43.1		
S/T	0.91	0.87	0.79	0.64	0.94	0.91	0.82	0.66	0.96	0.93	0.84	0.68	0.99	0.96	0.87	0.70	1.00	1.00	0.90	0.73	1.00	1.00	0.91	0.74		
DT	25	25	23	20	25	25	24	20	25	25	24	21	26	25	24	21	25	25	24	20	23	23	22	19		
KW	2.85	2.92	3.01	3.11	3.08	3.15	3.25	3.36	3.28	3.35	3.46	3.58	3.45	3.53	3.65	3.77	3.60	3.68	3.81	3.94	3.73	3.82	3.96	4.08		
AMPS	10.2	10.5	10.8	11.2	11.1	11.3	11.7	12.2	12.1	12.4	12.8	13.3	12.9	13.3	13.7	14.3	13.8	14.1	14.6	15.2	14.6	15.0	15.5	16.2		
HI PR	2.12	2.28	2.41	2.52	2.38	2.56	2.71	2.82	2.71	2.92	3.08	3.21	3.09	3.32	3.51	3.66	3.47	3.74	3.94	4.11	3.84	4.13	4.36	4.55		
LO PR	1.05	1.12	1.22	1.30	1.11	1.18	1.29	1.37	1.15	1.23	1.34	1.42	1.21	1.29	1.40	1.50	1.27	1.35	1.47	1.57	1.31	1.39	1.52	1.62		
MBh	50.1	51.1	53.5	57.1	48.9	49.9	52.2	55.7	47.8	48.7	51.0	54.4	46.6	47.5	49.8	53.1	44.3	45.1	47.3	50.4	41.0	41.8	43.8	46.7		
S/T	0.94	0.91	0.82	0.66	0.97	0.94	0.85	0.69	1.00	0.96	0.87	0.71	1.00	0.99	0.90	0.73	1.00	1.00	0.93	0.76	1.00	1.00	0.94	0.76		
DT	25	24	23	20	25	25	23	20	25	25	23	20	24	25	23	20	23	24	23	20	22	22	22	19		
KW	2.93	2.99	3.09	3.19	3.16	3.23	3.33	3.45	3.36	3.44	3.55	3.67	3.54	3.62	3.75	3.87	3.70	3.78	3.91	4.05	3.83	3.92	4.06	4.19		
AMPS	10.5	10.8	11.1	11.6	11.4	11.7	12.1	12.5	12.4	12.7	13.2	13.7	13.3	13.6	14.1	14.7	14.2	14.6	15.1	15.7	15.1	15.5	16.0	16.6		
HI PR	2.19	2.36	2.49	2.59	2.46	2.64	2.79	2.91	2.79	3.01	3.17	3.31	3.18	3.42	3.61	3.77	3.58	3.85	4.07	4.24	3.95	4.26	4.49	4.69		
LO PR	1.08	1.15	1.26	1.34	1.14	1.22	1.33	1.41	1.19	1.26	1.38	1.47	1.25	1.33	1.45	1.54	1.31	1.39	1.52	1.62	1.35	1.44	1.57	1.67		
MBh	51.6	52.6	55.1	58.8	50.4	51.4	53.8	57.4	49.2	50.2	52.5	56.0	48.0	48.9	51.2	54.7	45.6	46.5	48.7	51.9	42.2	43.1	45.1	48.1		
S/T	0.99	0.95	0.86	0.70	1.00	0.99	0.89	0.72	1.00	1.00	0.91	0.74	1.00	1.00	0.94	0.76	1.00	1.00	0.98	0.79	1.00	1.00	0.99	0.80		
DT	24	23	22	19	24	24	22	19	23	23	23	19	22	23	23	19	21	21	22	21	20	20	21	18		
KW	2.95	3.01	3.11	3.22	3.18	3.25	3.36	3.48	3.39	3.47	3.58	3.71	3.57	3.65	3.78	3.91	3.73	3.81	3.94	4.08	3.86	3.95	4.09	4.23		
AMPS	10.6	10.9	11.2	11.7	11.5	11.8	12.2	12.7	12.5	12.9	13.3	13.8	13.4	13.8	14.3	14.8	14.3	14.7	15.2	15.8	15.2	15.6	16.2	16.8		
HI PR	2.21	2.38	2.51	2.62	2.48	2.67	2.82	2.94	2.82	3.04	3.21	3.34	3.21	3.46	3.65	3.81	3.61	3.89	4.11	4.28	3.99	4.30	4.54	4.73		
LO PR	1.09	1.16	1.27	1.35	1.15	1.23	1.34	1.43	1.20	1.28	1.39	1.48	1.26	1.34	1.46	1.56	1.32	1.40	1.53	1.63	1.37	1.45	1.59	1.69		

Shaded area is AHRI Rating Conditions IDB: Entering Indoor Dry Bulb Temperature KW=Total system power  
 High and low pressures are measured at the liquid and suction service valves. AMPS=Outdoor unit amps (comp.+fan)



# COOLING PERFORMANCE DATA

# \*SZC180601A\*-HIGH STAGE

## EXPANDED PERFORMANCE DATA

## EXPANDED PERFORMANCE DATA

## COOLING OPERATION

MODEL: \*SZC180601A\* / CA\*F4961\*6\*\* + TXV / MBVC2000\*\* -1\*\* Design Subcooling 5 - 7 °F @ the liquid service valve, AHRI 95 test conditions

IDB	Airflow	Outdoor Ambient Temperature																							
		65				75				85				105				115							
		59	63	67	71	59	63	67	71	59	63	67	71	59	63	67	71	59	63	67	71				
70	MBh	49.6	51.4	56.3	-	48.5	50.2	55.0	-	47.3	49.0	53.7	-	46.2	47.8	52.4	-	43.8	45.4	49.8	-	40.6	42.1	46.1	-
	S/T	0.66	0.55	0.38	-	0.69	0.58	0.40	-	0.71	0.59	0.41	-	0.73	0.61	0.42	-	0.76	0.63	0.44	-	0.76	0.64	0.44	-
	DT	20	17	13	-	20	17	13	-	20	17	13	-	20	17	13	-	20	17	13	-	19	16	12	-
	KW	3.47	3.55	3.67	-	3.75	3.84	3.97	-	4.01	4.10	4.24	-	4.23	4.33	4.47	-	4.42	4.52	4.68	-	4.58	4.69	4.85	-
	AMPS	6.7	7.0	7.5	-	7.8	8.1	8.6	-	9.0	9.4	10.0	-	10.1	10.5	11.1	-	11.2	11.7	12.3	-	12.3	12.8	13.4	-
	H PR	210	226	238	-	235	253	267	-	268	288	304	-	305	328	346	-	343	369	390	-	379	408	431	-
	LOPR	97	103	112	-	102	109	119	-	106	113	123	-	112	119	130	-	117	124	136	-	121	129	141	-
	MBh	53.8	55.7	61.0	-	52.5	54.4	59.6	-	51.3	53.1	58.2	-	50.0	51.8	56.8	-	47.5	49.2	53.9	-	44.0	45.6	50.0	-
	S/T	0.69	0.58	0.40	-	0.71	0.60	0.41	-	0.73	0.61	0.42	-	0.76	0.63	0.44	-	0.78	0.66	0.45	-	0.79	0.66	0.46	-
	DT	19	17	13	-	20	17	13	-	20	17	13	-	20	17	13	-	20	17	13	-	18	16	12	-
KW	3.56	3.64	3.76	-	3.85	3.94	4.08	-	4.11	4.21	4.35	-	4.34	4.44	4.60	-	4.53	4.64	4.80	-	4.70	4.81	4.98	-	
AMPS	7.1	7.4	7.9	-	8.2	8.5	9.1	-	9.5	9.9	10.4	-	10.6	11.0	11.6	-	11.7	12.2	12.8	-	12.8	13.3	14.0	-	
H PR	216	233	246	-	243	261	276	-	276	297	314	-	314	338	357	-	354	381	402	-	391	420	444	-	
LOPR	100	106	116	-	105	112	122	-	110	117	127	-	115	122	134	-	121	128	140	-	125	133	145	-	
MBh	55.4	57.4	62.9	-	54.1	56.1	61.4	-	52.8	54.7	59.9	-	51.5	53.4	58.5	-	48.9	50.7	55.6	-	46.3	47.0	51.5	-	
S/T	0.72	0.60	0.42	-	0.75	0.63	0.43	-	0.77	0.64	0.44	-	0.79	0.66	0.46	-	0.82	0.69	0.48	-	0.83	0.69	0.48	-	
DT	19	16	12	-	19	16	12	-	19	16	12	-	19	16	13	-	19	16	12	-	18	15	12	-	
KW	3.59	3.67	3.80	-	3.89	3.98	4.11	-	4.15	4.24	4.39	-	4.38	4.48	4.64	-	4.57	4.68	4.85	-	4.74	4.86	5.03	-	
AMPS	7.2	7.5	8.0	-	8.3	8.7	9.2	-	9.6	10.0	10.6	-	10.8	11.2	11.8	-	11.9	12.4	13.0	-	13.0	13.5	14.2	-	
H PR	218	235	248	-	245	264	278	-	279	300	317	-	317	342	361	-	357	384	406	-	395	425	448	-	
LOPR	101	107	117	-	106	113	124	-	111	118	129	-	116	124	135	-	122	130	141	-	126	134	146	-	
75	MBh	50.5	51.9	56.2	60.3	49.3	50.7	54.9	58.9	48.1	49.5	53.6	57.5	46.9	48.3	52.3	56.1	44.6	45.9	49.7	53.3	41.3	42.5	46.0	49.4
	S/T	0.76	0.68	0.51	0.33	0.78	0.70	0.53	0.34	0.80	0.72	0.54	0.35	0.83	0.74	0.56	0.36	0.86	0.77	0.58	0.37	0.87	0.78	0.59	0.38
	DT	23	21	17	12	23	21	17	12	23	21	17	12	23	21	18	12	23	21	17	12	21	20	16	11
	KW	3.50	3.58	3.70	3.83	3.79	3.87	4.01	4.14	4.04	4.13	4.28	4.43	4.26	4.36	4.52	4.67	4.45	4.56	4.72	4.89	4.62	4.73	4.89	5.07
	AMPS	6.8	7.1	7.6	8.1	7.9	8.3	8.8	9.3	9.2	9.6	10.1	10.8	10.3	10.7	11.3	12.0	11.4	11.8	12.5	13.2	12.5	13.0	13.6	14.4
	H PR	212	228	241	251	238	256	270	282	270	291	307	320	308	331	350	365	346	373	394	411	383	412	435	454
	LOPR	98	104	114	121	103	110	120	128	107	114	125	133	113	120	131	139	118	126	137	146	122	130	142	151
	MBh	54.7	56.3	60.9	65.4	53.4	55.0	59.5	63.9	52.1	53.7	58.1	62.3	50.9	52.4	56.7	60.8	48.3	49.7	53.8	57.8	44.7	46.1	49.9	53.5
	S/T	0.78	0.70	0.53	0.34	0.81	0.73	0.55	0.35	0.83	0.74	0.56	0.36	0.86	0.77	0.58	0.37	0.89	0.80	0.60	0.39	0.90	0.80	0.61	0.39
	DT	22	21	17	12	23	21	17	12	23	21	17	12	23	21	17	12	23	21	17	12	21	19	16	11
KW	3.59	3.67	3.80	3.93	3.89	3.98	4.11	4.26	4.15	4.25	4.39	4.55	4.38	4.48	4.64	4.80	4.58	4.68	4.85	5.02	4.74	4.86	5.03	5.21	
AMPS	7.2	7.5	8.0	8.5	8.3	8.7	9.2	9.8	9.6	10.0	10.6	11.3	10.8	11.2	11.8	12.5	11.9	12.4	13.0	13.8	13.0	13.5	14.2	15.0	
H PR	218	235	248	259	245	264	279	291	279	300	317	330	318	342	361	376	357	384	406	423	395	425	448	468	
LOPR	101	107	117	125	106	113	124	132	111	118	129	137	116	124	135	144	122	130	142	151	126	134	146	156	
MBh	56.3	58.0	62.7	67.3	55.0	56.6	61.3	65.8	53.7	55.3	59.8	64.2	52.4	53.9	58.4	62.6	49.8	51.2	55.5	59.5	46.1	47.5	51.4	55.1	
S/T	0.82	0.73	0.56	0.36	0.85	0.76	0.58	0.37	0.87	0.78	0.59	0.38	0.90	0.81	0.61	0.39	0.93	0.84	0.63	0.41	0.94	0.84	0.64	0.41	
DT	22	20	16	11	22	20	16	11	22	20	17	11	22	20	17	11	22	20	16	11	20	19	15	11	
KW	3.62	3.71	3.83	3.96	3.92	4.01	4.15	4.29	4.19	4.28	4.43	4.59	4.42	4.52	4.68	4.84	4.62	4.72	4.89	5.06	4.79	4.90	5.07	5.25	
AMPS	7.3	7.7	8.1	8.7	8.5	8.8	9.4	10.0	9.8	10.2	10.8	11.4	10.9	11.4	12.0	12.7	12.1	12.5	13.2	14.0	13.2	13.7	14.4	15.2	
H PR	221	237	251	261	248	266	281	293	282	303	320	334	321	345	364	380	361	388	410	428	399	429	453	472	
LOPR	102	108	118	126	108	114	125	133	112	119	130	138	117	125	136	145	123	131	143	152	127	135	148	157	

Shaded area is ACCA (TV) conditions IDB: Entering Indoor Dry Bulb Temperature KW=Total system power  
 High and low pressures are measured at the liquid and suction service valves. AMPS=Outdoor unit amps (comp.+fan)



# COOLING PERFORMANCE DATA

# \*SZC180601B\*-HIGH STAGE

## EXPANDED PERFORMANCE DATA

### COOLING OPERATION

### MODEL: \*SZC180601B\* CAPF4961D6 MBVC2000A - HIGH STAGE

		Outdoor Ambient Temperature																								
		65				75				85				95				105				115				
IDB*	Airflow	59	63	67	71	59	63	67	71	59	63	67	71	59	63	67	71	59	63	67	71	59	63	67	71	
70	1600	MBh	51.1	52.9	58.0	-	49.9	51.7	56.6	-	48.7	50.5	55.3	-	47.5	49.2	53.9	-	45.1	46.8	51.2	-	41.8	43.3	47.5	-
		S/T	0.67	0.56	0.39	-	0.70	0.58	0.40	-	0.71	0.60	0.41	-	0.74	0.62	0.43	-	0.77	0.64	0.44	-	0.77	0.64	0.45	-
		Delta T	20	17	13	-	20	17	13	-	20	17	13	-	20	17	13	-	20	17	13	-	19	16	12	-
		KW	3.41	3.48	3.59	-	3.67	3.74	3.86	-	3.90	3.98	4.11	-	4.10	4.19	4.32	-	4.27	4.36	4.51	-	4.42	4.52	4.67	-
		AMPS	12.7	13.0	13.4	-	13.7	14.1	14.5	-	14.9	15.3	15.8	-	16.0	16.4	16.9	-	17.0	17.5	18.1	-	18.1	18.5	19.2	-
		HIPR	20.1	21.6	22.8	-	22.5	24.3	25.6	-	25.6	27.6	29.1	-	29.2	31.4	33.2	-	32.9	35.4	37.3	-	36.3	39.1	41.2	-
		LO PR	10.4	11.0	12.0	-	10.9	11.6	12.7	-	11.4	12.1	13.2	-	11.9	12.7	13.9	-	12.5	13.3	14.5	-	13.0	13.8	15.0	-
		MBh	53.8	55.7	61.0	-	52.5	54.4	59.6	-	51.3	53.1	58.2	-	50.0	51.8	56.8	-	47.5	49.2	53.9	-	44.0	45.6	50.0	-
		S/T	0.70	0.59	0.41	-	0.73	0.61	0.42	-	0.75	0.62	0.43	-	0.77	0.64	0.45	-	0.80	0.67	0.46	-	0.81	0.67	0.47	-
		Delta T	19	17	13	-	20	17	13	-	20	17	13	-	20	17	13	-	19	17	13	-	18	16	12	-
70	1800	KW	3.46	3.53	3.65	-	3.73	3.81	3.93	-	3.96	4.05	4.18	-	4.17	4.26	4.40	-	4.34	4.44	4.58	-	4.49	4.59	4.75	-
		AMPS	12.9	13.2	13.7	-	14.0	14.3	14.8	-	15.2	15.6	16.1	-	16.3	16.7	17.3	-	17.4	17.8	18.4	-	18.4	18.9	19.5	-
		HIPR	20.5	22.1	23.3	-	23.0	24.8	26.1	-	26.2	28.2	29.7	-	29.8	32.1	33.9	-	33.5	36.1	38.1	-	37.0	39.9	42.1	-
		LO PR	10.6	11.2	12.3	-	11.2	11.9	13.0	-	11.6	12.3	13.5	-	12.2	13.0	14.2	-	12.8	13.6	14.8	-	13.2	14.1	15.4	-
		MBh	54.6	56.5	62.0	-	53.3	55.2	60.5	-	52.0	53.9	59.1	-	50.8	52.6	57.6	-	48.2	50.0	54.8	-	44.7	46.3	50.7	-
		S/T	0.73	0.61	0.42	-	0.76	0.63	0.44	-	0.78	0.65	0.45	-	0.80	0.67	0.47	-	0.83	0.70	0.48	-	0.84	0.70	0.49	-
		Delta T	18	16	12	-	19	16	12	-	19	16	12	-	19	16	12	-	19	16	12	-	17	15	11	-
		KW	3.48	3.55	3.67	-	3.75	3.83	3.95	-	3.98	4.07	4.20	-	4.19	4.28	4.42	-	4.37	4.46	4.61	-	4.52	4.62	4.77	-
		AMPS	13.0	13.3	13.8	-	14.1	14.4	14.9	-	15.3	15.7	16.2	-	16.4	16.8	17.4	-	17.5	17.9	18.5	-	18.5	19.0	19.7	-
		HIPR	20.6	22.2	23.5	-	23.2	24.9	26.3	-	26.3	28.3	29.9	-	30.0	32.3	34.1	-	33.8	36.3	38.4	-	37.3	40.1	42.4	-
LO PR	10.6	11.3	12.4	-	11.2	12.0	13.1	-	11.7	12.4	13.6	-	12.3	13.1	14.3	-	12.9	13.7	14.9	-	13.3	14.2	15.5	-		
75	1600	MBh	51.9	53.5	57.9	62.1	50.7	52.2	56.5	60.7	49.5	51.0	55.2	59.2	48.3	49.7	53.8	57.8	45.9	47.3	51.1	54.9	42.5	43.8	47.4	50.8
		S/T	0.76	0.68	0.52	0.33	0.79	0.71	0.54	0.35	0.81	0.73	0.55	0.35	0.84	0.75	0.57	0.37	0.87	0.78	0.59	0.38	0.88	0.79	0.59	0.38
		Delta T	23	21	17	12	23	21	17	12	23	21	17	12	23	21	18	12	23	21	17	12	21	20	16	11
		KW	3.43	3.51	3.62	3.73	3.70	3.78	3.90	4.02	3.93	4.01	4.14	4.28	4.13	4.22	4.36	4.51	4.31	4.40	4.55	4.70	4.45	4.55	4.71	4.86
		AMPS	12.8	13.1	13.5	14.1	13.9	14.2	14.7	15.2	15.1	15.5	16.0	16.6	16.1	16.5	17.1	17.8	17.2	17.6	18.2	18.9	18.2	18.7	19.3	20.1
		HIPR	20.3	21.8	23.1	24.1	22.8	24.5	25.9	27.0	25.9	27.9	29.4	30.7	29.5	31.7	33.5	35.0	33.2	35.7	37.7	39.3	36.7	39.5	41.7	43.5
		LO PR	10.5	11.1	12.2	12.9	11.1	11.8	12.8	13.7	11.5	12.2	13.3	14.2	12.1	12.8	14.0	14.9	12.7	13.5	14.7	15.6	13.1	13.9	15.2	16.2
		MBh	54.7	56.3	60.9	65.4	53.4	55.0	59.5	63.9	52.1	53.7	58.1	62.3	50.9	52.4	56.7	60.8	48.3	49.7	53.8	57.8	44.7	46.1	49.9	53.5
		S/T	0.80	0.71	0.54	0.35	0.83	0.74	0.56	0.36	0.85	0.76	0.57	0.37	0.88	0.78	0.59	0.38	0.91	0.81	0.62	0.40	0.92	0.82	0.62	0.40
		Delta T	22	21	17	12	23	21	17	12	23	21	17	12	23	21	17	12	22	21	17	12	21	19	16	11
75	1800	KW	3.49	3.56	3.67	3.79	3.76	3.84	3.96	4.09	3.99	4.08	4.21	4.35	4.20	4.29	4.43	4.58	4.38	4.48	4.62	4.78	4.53	4.63	4.79	4.95
		AMPS	13.0	13.4	13.8	14.3	14.1	14.5	15.0	15.5	15.4	15.7	16.3	16.9	16.4	16.9	17.4	18.1	17.5	18.0	18.6	19.3	18.6	19.1	19.7	20.5
		HIPR	20.7	22.3	23.5	24.5	23.2	25.0	26.4	27.5	26.4	28.4	30.0	31.3	30.1	32.4	34.2	35.7	33.9	36.4	38.5	40.1	37.4	40.3	42.5	44.3
		LO PR	10.7	11.4	12.4	13.2	11.3	12.0	13.1	14.0	11.7	12.5	13.6	14.5	12.3	13.1	14.3	15.2	12.9	13.7	15.0	16.0	13.4	14.2	15.5	16.5
		MBh	55.5	57.1	61.8	66.4	54.2	55.8	60.4	64.8	52.9	54.5	59.0	63.3	51.6	53.1	57.5	61.7	49.0	50.5	54.6	58.6	45.4	46.8	50.6	54.3
		S/T	0.83	0.75	0.56	0.36	0.86	0.77	0.58	0.38	0.89	0.79	0.60	0.39	0.91	0.82	0.62	0.40	0.95	0.85	0.64	0.41	0.96	0.86	0.65	0.42
		Delta T	21	20	16	11	22	20	16	11	22	20	16	11	22	20	16	11	21	20	16	11	20	18	15	10
		KW	3.51	3.58	3.70	3.81	3.78	3.86	3.98	4.11	4.02	4.10	4.24	4.38	4.23	4.32	4.46	4.61	4.40	4.50	4.65	4.81	4.56	4.66	4.82	4.98
		AMPS	13.1	13.4	13.9	14.4	14.2	14.6	15.1	15.6	15.5	15.9	16.4	17.0	16.6	17.0	17.5	18.2	17.6	18.1	18.7	19.4	18.7	19.2	19.8	20.6
		HIPR	20.9	22.4	23.7	24.7	23.4	25.2	26.6	27.7	26.6	28.6	30.2	31.5	30.3	32.6	34.4	35.9	34.1	36.7	38.7	40.4	37.7	40.5	42.8	44.7
LO PR	10.8	11.4	12.5	13.3	11.4	12.1	13.2	14.1	11.8	12.6	13.7	14.6	12.4	13.2	14.4	15.3	13.0	13.8	15.1	16.1	13.4	14.3	15.6	16.6		

Shaded area is ACCA (TV A) conditions IDB: Entering Indoor Dry Bulb Temperature KW=Total system power  
 High and low pressures are measured at the liquid and suction service valves. AMPs=outdoor unit amps (comp.+fan)



# COOLING PERFORMANCE DATA

# \*SZC180601B\*-HIGH STAGE

## EXPANDED PERFORMANCE DATA

MODEL: \*SZC180601B\* CAPF4961D6 MBVC2000A - HIGH STAGE

COOLING OPERATION

IDB*	Airflow	Outdoor Ambient Temperature																													
		65					75					85					95					105					115				
		59	63	67	71	75	59	63	67	71	75	59	63	67	71	75	59	63	67	71	75	59	63	67	71	75	59	63	67	71	75
80	1600	MBh	52.9	54.0	57.7	61.7	61.7	51.6	52.8	56.4	60.2	50.4	51.5	55.0	58.8	49.2	50.2	53.7	57.4	46.7	47.7	51.0	54.5	43.3	44.2	47.2	50.5				
		S/T	0.84	0.79	0.64	0.48	0.87	0.82	0.66	0.50	0.89	0.84	0.68	0.51	0.92	0.86	0.70	0.52	0.95	0.90	0.73	0.54	0.96	0.90	0.73	0.55					
		Delta T	25	24	21	17	26	25	22	17	26	25	22	17	26	25	22	17	26	25	21	17	24	23	20	16					
		KW	3.46	3.53	3.65	3.76	3.73	3.81	3.93	4.06	3.96	4.05	4.18	4.31	4.17	4.26	4.40	4.54	4.34	4.44	4.58	4.74	4.49	4.59	4.75	4.91					
		AMPS	12.9	13.2	13.7	14.2	14.0	14.3	14.8	15.4	15.2	15.6	16.1	16.7	16.3	16.7	17.3	17.9	17.4	17.8	18.4	19.1	18.4	18.9	19.5	20.3					
		HIPR	205	221	233	243	230	248	261	273	262	282	297	310	298	321	339	353	335	361	381	397	370	389	421	439					
		LO PR	106	112	123	131	112	119	130	138	116	123	135	144	122	130	142	151	128	136	148	158	132	141	154	163					
		MBh	55.6	56.9	60.7	64.9	54.3	55.5	59.3	63.4	53.0	54.2	57.9	61.9	51.8	52.9	56.5	60.4	49.2	50.2	53.7	57.4	45.5	46.5	49.7	53.2					
		S/T	0.88	0.82	0.67	0.50	0.91	0.85	0.69	0.52	0.93	0.87	0.71	0.53	0.96	0.90	0.73	0.55	1.00	0.93	0.76	0.57	1.00	0.94	0.77	0.57					
		Delta T	25	24	21	17	25	24	21	17	25	24	21	17	25	24	21	17	25	24	21	17	23	22	19	16					
KW	3.52	3.59	3.70	3.82	3.79	3.87	3.99	4.12	4.03	4.11	4.25	4.39	4.24	4.33	4.47	4.62	4.42	4.51	4.66	4.82	4.57	4.67	4.83	4.99							
AMPS	13.2	13.5	13.9	14.5	14.2	14.6	15.1	15.7	15.5	15.9	16.4	17.1	16.6	17.0	17.6	18.3	17.7	18.1	18.8	19.5	18.8	19.2	19.9	20.7							
HIPR	209	225	238	248	235	253	267	278	267	287	303	316	304	327	346	360	342	368	389	405	378	407	429	448							
LO PR	108	115	125	133	114	121	132	141	118	126	138	147	124	132	145	154	130	139	151	161	135	143	157	167							
MBh	56.5	57.7	61.6	65.9	55.2	56.4	60.2	64.4	53.8	55.0	58.8	62.8	52.5	53.7	57.3	61.3	49.9	51.0	54.5	58.2	46.2	47.2	50.5	53.9							
S/T	0.91	0.86	0.70	0.52	0.95	0.89	0.72	0.54	0.97	0.91	0.74	0.55	1.00	0.94	0.77	0.57	1.00	0.98	0.79	0.59	1.00	0.98	0.80	0.60							
Delta T	24	23	20	16	24	23	20	16	24	23	20	16	24	23	20	16	23	23	20	16	21	21	19	15							
KW	3.54	3.61	3.73	3.85	3.81	3.89	4.02	4.15	4.05	4.14	4.27	4.41	4.26	4.35	4.50	4.65	4.44	4.54	4.69	4.85	4.60	4.70	4.86	5.02							
AMPS	13.2	13.6	14.0	14.6	14.3	14.7	15.2	15.8	15.6	16.0	16.5	17.2	16.7	17.1	17.7	18.4	17.8	18.3	18.9	19.6	18.9	19.4	20.0	20.8							
HIPR	211	227	239	250	236	254	269	280	269	289	305	319	306	329	348	363	344	371	391	408	381	410	432	451							
LO PR	109	116	126	134	115	122	133	142	119	127	139	148	125	133	146	155	131	140	152	162	136	144	158	168							
85	1600	MBh	53.8	54.8	57.4	61.3	52.5	53.5	56.1	59.8	51.3	52.3	54.7	58.4	50.0	51.0	53.4	57.0	47.5	48.4	50.7	54.1	44.0	44.9	47.0	50.1					
		S/T	0.88	0.85	0.77	0.62	0.91	0.88	0.79	0.64	0.93	0.90	0.81	0.66	0.96	0.93	0.84	0.68	1.00	0.97	0.87	0.71	1.00	0.97	0.88	0.71					
		Delta T	27	27	25	22	27	27	26	22	28	27	26	22	28	27	26	22	27	27	25	22	25	25	24	21					
		KW	3.49	3.56	3.67	3.79	3.76	3.84	3.96	4.09	3.99	4.08	4.21	4.35	4.20	4.29	4.43	4.58	4.38	4.47	4.62	4.78	4.53	4.63	4.79	4.95					
		AMPS	13.0	13.4	13.8	14.3	14.1	14.5	14.9	15.5	15.4	15.7	16.3	16.9	16.4	16.9	17.4	18.1	17.5	18.0	18.6	19.3	18.6	19.1	19.7	20.5					
		HIPR	207	223	235	245	232	250	264	275	264	284	300	313	301	324	342	357	339	364	385	401	374	403	425	443					
		LO PR	107	114	124	132	113	120	131	140	117	125	136	145	123	131	143	152	129	137	150	160	133	142	155	165					
		MBh	56.6	57.7	60.4	64.5	55.3	56.4	59.0	63.0	54.0	55.0	57.6	61.5	52.7	53.7	56.2	60.0	50.0	51.0	53.4	57.0	46.3	47.2	49.5	52.8					
		S/T	0.92	0.89	0.80	0.65	0.95	0.92	0.83	0.67	0.98	0.94	0.85	0.69	1.00	0.97	0.88	0.71	1.00	1.00	0.91	0.74	1.00	1.00	0.92	0.74					
		Delta T	27	26	25	21	27	26	25	22	27	26	25	22	27	27	25	22	26	26	25	21	24	24	23	20					
KW	3.55	3.62	3.73	3.85	3.82	3.90	4.03	4.16	4.06	4.15	4.28	4.42	4.27	4.37	4.51	4.66	4.45	4.55	4.70	4.86	4.61	4.71	4.87	5.03							
AMPS	13.3	13.6	14.1	14.6	14.4	14.7	15.2	15.8	15.7	16.0	16.6	17.2	16.8	17.2	17.8	18.5	17.9	18.3	18.9	19.7	19.0	19.4	20.1	20.9							
HIPR	211	227	240	250	237	255	269	281	270	290	306	320	307	330	349	364	345	372	393	409	382	411	434	452							
LO PR	109	116	127	135	115	122	134	142	120	127	139	148	126	134	146	155	132	140	153	163	136	145	158	168							
MBh	57.5	58.6	61.3	65.4	56.1	57.2	59.9	63.9	54.8	55.8	58.5	62.4	53.4	54.5	57.1	60.9	50.8	51.8	54.2	57.8	47.0	47.9	50.2	53.6							
S/T	0.96	0.92	0.83	0.68	0.99	0.96	0.86	0.70	1.00	0.98	0.89	0.72	1.00	1.00	0.92	0.74	1.00	1.00	0.95	0.77	1.00	1.00	0.96	0.78							
Delta T	25	25	24	20	26	25	24	21	25	25	24	21	25	25	24	21	23	24	24	20	22	22	22	19							
KW	3.56	3.64	3.76	3.88	3.84	3.92	4.05	4.18	4.08	4.17	4.31	4.45	4.30	4.39	4.54	4.69	4.48	4.58	4.73	4.89	4.63	4.74	4.90	5.06							
AMPS	13.4	13.7	14.2	14.7	14.5	14.8	15.3	15.9	15.8	16.2	16.7	17.3	16.9	17.3	17.9	18.6	18.0	18.4	19.1	19.8	19.1	19.6	20.2	21.0							
HIPR	213	229	242	252	239	257	271	283	272	292	309	322	309	333	351	367	348	374	395	412	384	414	437	456							
LO PR	110	117	127	136	116	123	135	143	120	128	140	149	127	135	147	157	133	141	154	164	137	146	159	170							

Shaded area is ACCA (TVA) conditions  
 IDB: Entering Indoor Dry Bulb Temperature  
 KW=Total system power  
 AMP=Outdoor unit amps (comp.+fan)  
 High and low pressures are measured at the liquid and suction service valves.

# PERFORMANCE DATA

# LOW STAGE

<b>*SZC180361 A* / CA*F3743*6**+ TXV / MBVC1600**-1**</b>				
<b>Conditions: 80 °F IDB, 67 °F IDW @ 850 CFM LOW STAGE</b>				
<b>Outdoor Temp. ° F.</b>	<b>Total Btuh</b>	<b>Sensible Btuh</b>	<b>Latent Btuh</b>	<b>Total Watts</b>
75°	26,556	19,120	7,435	1,549
80°	26,239	19,133	7,107	1,602
85°	25,923	19,139	6,784	1,654
90°	25,607	19,211	6,397	1,701
95°	25,291	19,274	6,017	1,748
100°	24,659	19,148	5,510	1,787
105°	24,026	19,004	5,022	1,827
110°	23,141	18,381	4,760	1,861
115°	22,256	17,752	4,504	1,895
<b>TVA Conditions @ 95° OD DB, 75° ID DB, 63° ID WB</b>				
95°	23,436	19,082	4,354	1,674

<b>*SZC180481 A* / CA*F4961*6**+TXV / MBVC2000**-1**</b>				
<b>Conditions: 80 °F IDB, 67 °F IDW @ 1200 CFM LOW STAGE</b>				
<b>Outdoor Temp. ° F.</b>	<b>Total Btuh</b>	<b>Sensible Btuh</b>	<b>Latent Btuh</b>	<b>Total Watts</b>
75°	37,540	26,689	10,851	2,145
80°	37,093	26,706	10,386	2,219
85°	36,646	26,716	9,930	2,293
90°	36,199	26,815	9,384	2,359
95°	35,752	26,904	8,848	2,424
100°	34,858	26,728	8,130	2,480
105°	33,964	26,527	7,437	2,535
110°	32,713	25,657	7,056	2,583
115°	31,462	24,779	6,683	2,631
<b>TVA Conditions @ 95° OD DB, 75° ID DB, 63° ID WB</b>				
95°	33,129	26,635	6,494	2,320

<b>*SZC180601 A* / CA*F4961*6**+TXV / MBVC2000**-1**</b>				
<b>Conditions: 80 °F IDB, 67 °F IDW @ 1200 CFM LOW STAGE</b>				
<b>Outdoor Temp. ° F.</b>	<b>Total Btuh</b>	<b>Sensible Btuh</b>	<b>Latent Btuh</b>	<b>Total Watts</b>
75°	44,563	29,825	14,738	2,731
80°	44,032	29,844	14,188	2,827
85°	43,502	29,855	13,647	2,923
90°	42,971	29,966	13,005	3,007
95°	42,441	30,065	12,375	3,092
100°	41,379	29,869	11,510	3,164
105°	40,318	29,644	10,674	3,236
110°	38,833	28,672	10,161	3,298
115°	37,348	27,690	9,657	3,360
<b>TVA Conditions @ 95° OD DB, 75° ID DB, 63° ID WB</b>				
95°	39,327	29,765	9,562	2,958

# PERFORMANCE DATA

# LOW STAGE

*SZC180601B* / CA*F4860*6A*+TXV/ MBVC2000**-1				
Conditions: 80°F IDB, 67°F IWB @ 1200 CFM LOW STAGE				
Outdoor Temp. ° F.	Total Btuh	Sensible Btuh	Latent Btuh	Total Watts
75°	42,893	29,582	13,311	2,568
80°	42,382	29,597	12,785	2,654
85°	41,871	29,612	12,259	2,741
90°	41,361	29,716	11,644	2,818
<b>95°</b>	<b>40,850</b>	<b>29,821</b>	<b>11,030</b>	<b>2,894</b>
100°	39,829	29,612	10,217	2,959
105°	38,808	29,403	9,404	3,024
110°	37,378	28,434	8,944	3,080
115°	35,948	27,465	8,483	3,136
TVA Conditions @ 95° OD DB, 75° OD DB. 63° OD WB				
95°	37,853	29,522	8,331	2,773

# PERFORMANCE DATA

# HIGH STAGE

<b>*SZC180361A* / CA*F3743*6**+TXV/ MBVC1600**-1**</b>				
<b>Condition: 80° IDB, 67° IWB, @ 1250 CFM, HIGH STAGE</b>				
<b>Outdoor Temp. ° F.</b>	<b>Total Btuh</b>	<b>Sensible Btuh</b>	<b>Latent Btuh</b>	<b>Total Watts</b>
75°	36,990	26,394	10,595	2,413
80°	36,550	26,412	10,138	2,492
85°	36,109	26,421	9,688	2,572
90°	35,669	26,519	9,149	2,643
95°	35,229	26,607	8,621	2,713
100°	34,348	26,434	7,914	2,773
105°	33,467	26,235	7,232	2,833
110°	32,234	25,374	6,860	2,884
115°	31,001	24,505	6,496	2,936
<b>TVA Conditions @ 95° OD DB, 75° ID DB, 63° ID WB</b>				
95°	32,644	26,341	6,303	2,601

<b>*SZC180481A* / CA*F4961*6**+TXV/ MBVC2000**-1**</b>				
<b>Condition: 80° IDB, 67° IWB, @ 1750 CFM, HIGH STAGE</b>				
<b>Outdoor Temp. ° F.</b>	<b>Total Btuh</b>	<b>Sensible Btuh</b>	<b>Latent Btuh</b>	<b>Total Watts</b>
75°	52,500	37,231	15,269	3,306
80°	51,875	37,256	14,619	3,415
85°	51,250	37,269	13,981	3,523
90°	50,625	37,407	13,218	3,618
95°	50,000	37,531	12,469	3,714
100°	48,750	37,286	11,464	3,795
105°	47,500	37,006	10,494	3,876
110°	45,750	35,792	9,958	3,947
115°	44,000	34,566	9,434	4,017
<b>TVA Conditions @ 95° OD DB, 75° ID DB, 63° ID WB</b>				
95°	46,332	37,156	9,176	3,562

<b>*SZC180601A* / CA*F4961*6** + TXV / MBVC2000**-1**</b>				
<b>Condition: 80° IDB, 67° IWB, @ 1750 CFM, HIGH STAGE</b>				
<b>Outdoor Temp. ° F.</b>	<b>Total Btuh</b>	<b>Sensible Btuh</b>	<b>Latent Btuh</b>	<b>Total Watts</b>
75°	59,325	40,312	19,013	4,150
80°	58,619	40,339	18,280	4,290
85°	57,913	40,353	17,559	4,431
90°	57,206	40,503	16,703	4,555
95°	56,500	40,638	15,862	4,680
100°	55,088	40,372	14,715	4,785
105°	53,675	40,069	13,606	4,891
110°	51,698	38,754	12,943	4,982
115°	49,720	37,427	12,293	5,073
<b>TVA Conditions @ 95° OD DB, 75° ID DB, 63° ID WB</b>				
95°	52,355	40,231	12,124	4,482

# PERFORMANCE DATA

# HIGH STAGE

*SZC180601B* / CA*F4860*6A*+TXV/ MBVC2000**-1				
Conditions: 80°F IDB, 67°F IWB @ 1750 CFM HIGH STAGE				
Outdoor Temp. ° F.	Total Btuh	Sensible Btuh	Latent Btuh	Total Watts
75°	59,325	41,083	18,242	3,993
80°	58,619	41,104	17,515	4,120
85°	57,913	41,125	16,788	4,247
90°	57,206	41,270	15,937	4,360
<b>95°</b>	<b>56,500</b>	<b>41,415</b>	<b>15,086</b>	<b>4,472</b>
100°	55,088	41,125	13,963	4,567
105°	53,675	40,835	12,840	4,663
110°	51,698	39,489	12,209	4,745
115°	49,720	38,143	11,577	4,828
TVA Conditions @ 95° OD DB, 75° OD DB. 63° OD WB				
95°	52,355	41,000	11,355	4,294

# SPLIT SYSTEM HEATING PERFORMANCE

**\*SZC180361A\***

## EXPANDED PERFORMANCE DATA

**LOW STAGE**

MODEL: \*SZC180361A\* / CA\*F3743\*6\*\* + TXV / MBVC1600\*\*-1\*\*

**HEATING OPERATION**

	Outdoor Ambient Temperature																	
	65	60	55	50	47	45	40	35	30	25	20	17	15	10	5	0	-5	-10
MBh	30.8	29.2	27.4	25.6	24.5	23.7	22.0	20.3	18.0	16.6	15.3	14.5	13.9	12.5	11.1	9.7	8.3	6.8
DELTA T	33.5	31.8	29.9	27.9	26.7	25.9	24.0	22.1	19.6	18.1	16.7	15.8	15.2	13.6	12.1	10.5	9.0	7.4
KW	1.98	1.94	1.90	1.86	1.83	1.81	1.77	1.73	1.78	1.74	1.69	1.67	1.65	1.60	1.56	1.51	1.47	1.42
AMPS	9.5	8.8	8.2	7.7	7.5	7.3	6.9	6.5	6.2	6.0	5.7	5.5	5.5	5.2	4.8	4.5	4.2	3.7
COP	4.54	4.39	4.23	4.04	3.91	3.83	3.64	3.44	2.96	2.81	2.65	2.54	2.48	2.28	2.08	1.87	1.64	1.39
EER	15.5	15.0	14.4	13.8	13.4	13.1	12.4	11.7	10.1	9.6	9.1	8.7	8.5	7.8	7.1	6.4	5.6	4.7

## EXPANDED PERFORMANCE DATA

**HIGH STAGE**

MODEL: \*SZC180361A\* / CA\*F3743\*6\*\* + TXV / MBVC160

**HEATING OPERATION**

	Outdoor Ambient Temperature																	
	65	60	55	50	47	45	40	35	30	25	20	17	15	10	5	0	-5	-10
MBh	44.5	42.2	39.7	37.1	35.4	34.3	31.9	29.4	27.5	25.4	23.4	22.0	21.2	19.1	16.9	14.7	12.6	10.3
DELTA T	33.0	31.2	29.4	27.5	26.2	25.4	23.6	21.8	20.4	18.8	17.3	16.3	15.7	14.1	12.5	10.9	9.3	7.6
KW	2.81	2.75	2.69	2.63	2.60	2.57	2.52	2.46	2.43	2.37	2.32	2.28	2.26	2.20	2.14	2.08	2.02	1.97
AMPS	12.8	11.8	11.1	10.4	10.0	9.8	9.2	8.7	8.3	8.0	7.6	7.4	7.3	6.9	6.4	6.0	5.5	4.9
COP	4.64	4.49	4.32	4.12	3.99	3.90	3.71	3.50	3.30	3.13	2.95	2.83	2.75	2.54	2.31	2.07	1.82	1.53
EER	15.9	15.3	14.8	14.1	13.6	13.3	12.7	12.0	11.3	10.7	10.1	9.7	9.4	8.7	7.9	7.1	6.2	5.2

Calculations are based on nominal CFM and 70° F indoor dry bulb.  
 \*Note: Shaded area is AHRI Rating Conditions at 47° outdoor ambient temperature.

AMPS = Outdoor unit amps (comp. + fan)  
 KW = Total system power

### HEATING MODE PRESSURE CHART

Pressures shown are for most popular match indoor unit WITH NO FROST ON OUTDOOR COIL. Due to factors like airflow, charge, indoor coil & frost, pressures will vary significantly. Liquid (small) service valve pressures should be ± 20 psig & suction (access port) pressures should be ±5 psig of the values listed in this chart.

	Indoor Air Flow Rate	Indoor Return Air Dry Bulb Temperature (°F)	Outdoor Air Dry Bulb Temperature (°F)																							
			Liquid Valve & Compressor Suction Pressure																							
			17		22		27		32		37		42		47		52		57		62		67			
			Liq	Suct	Liq	Suct	Liq	Suct	Liq	Suct	Liq	Suct	Liq	Suct	Liq	Suct	Liq	Suct	Liq	Suct	Liq	Suct				
Low Stage	740	65	249	51	258	61	267	72	277	82	286	92	295	103	305	113	314	124	324	134	333	144	343	155		
		70	267	51	277	61	286	71	295	82	305	92	314	102	324	113	333	123	343	134	352	144	362	154		
		75	286	50	296	61	306	71	315	81	325	92	334	102	344	112	354	123	363	133	373	144	382	154		
	850	65	240	50	249	61	258	71	267	81	276	92	285	102	295	112	304	122	313	133	322	143	331	154		
		70	258	51	267	61	276	71	286	82	295	92	304	102	313	113	322	123	331	133	341	144	350	154		
		75	277	51	286	61	295	72	305	82	314	92	323	103	332	113	342	124	351	134	360	144	369	154		
960	65	234	50	243	61	252	71	261	81	269	91	278	102	287	112	296	122	305	133	314	143	323	153			
	70	252	51	260	61	269	71	278	82	287	92	296	102	305	112	314	123	323	133	332	143	341	154			
	75	270	51	279	61	288	72	297	82	306	92	315	103	324	113	333	123	342	134	351	144	360	154			
High Stage	1090	65	271	60	281	68	290	76	300	84	310	92	320	100	330	109	340	117	350	125	360	133	370	141		
		70	291	60	301	68	311	76	321	84	331	92	341	100	351	108	361	116	371	124	380	132	390	140		
		75	312	60	322	68	332	76	342	84	352	92	362	100	372	108	382	116	392	124	402	132	412	140		
	1250	65	262	60	271	68	281	76	290	84	300	92	309	100	319	108	328	116	338	124	348	132	357	139		
		70	281	60	291	68	300	76	310	84	320	92	329	100	339	108	348	116	358	124	368	132	377	140		
		75	301	61	311	69	321	77	331	85	340	93	350	101	360	109	369	117	379	124	389	132	398	140		
1410	65	255	60	264	68	274	76	283	84	292	92	301	100	311	107	320	115	330	123	339	131	349	139			
	70	274	60	284	68	293	76	302	84	312	92	321	100	330	108	340	116	349	124	358	132	368	140			
	75	294	61	303	69	313	77	323	85	332	92	341	100	351	108	360	116	370	124	379	132	388	140			

Label p/n: 0140R00180-A

# SPLIT SYSTEM HEATING PERFORMANCE

**\*SZC180481A\***

## EXPANDED PERFORMANCE DATA

**LOW STAGE**

MODEL: \*SZC180481A\* / CA\*F4961\*6\*\* + TXV / MBVC2000\*\*-1\*\*

**HEATING OPERATION**

	Outdoor Ambient Temperature																	
	65	60	55	50	47	45	40	35	30	25	20	17	15	10	5	0	-5	-10
	MBh	43.8	41.4	39.0	36.5	34.8	33.7	31.3	28.9	27.0	25.0	23.0	21.7	20.9	18.7	16.6	14.5	12.4
DELTA T	33.8	32.0	30.1	28.1	26.9	26.0	24.2	22.3	20.9	19.3	17.7	16.7	16.1	14.5	12.8	11.2	9.5	7.8
KW	2.67	2.62	2.56	2.50	2.47	2.44	2.39	2.33	2.44	2.38	2.32	2.28	2.26	2.19	2.13	2.07	2.01	1.95
AMPS	12.7	11.7	10.9	10.2	9.8	9.6	9.0	8.5	8.1	7.7	7.2	7.0	6.9	6.5	6.0	5.6	5.1	4.5
COP	4.79	4.63	4.46	4.27	4.13	4.04	3.84	3.63	3.24	3.07	2.90	2.78	2.71	2.50	2.28	2.05	1.80	1.52
EER	16.4	15.8	15.2	14.6	14.1	13.8	13.1	12.4	11.1	10.5	9.9	9.5	9.3	8.5	7.8	7.0	6.2	5.2

## EXPANDED PERFORMANCE DATA

**HIGH STAGE**

MODEL: \*SZC180481A\* / CA\*F4961\*6\*\* + TXV / MBVC2000\*\*-1\*\*

**HEATING OPERATION**

	Outdoor Ambient Temperature																	
	65	60	55	50	47	45	40	35	30	25	20	17	15	10	5	0	-5	-10
	MBh	62.2	58.9	55.4	51.8	49.5	48.0	44.6	41.1	38.9	35.9	33.0	31.2	30.0	27.0	23.9	20.8	17.8
DELTA T	32.9	31.2	29.3	27.4	26.2	25.4	23.6	21.7	20.6	19.0	17.5	16.5	15.9	14.3	12.6	11.0	9.4	7.7
KW	3.80	3.72	3.64	3.56	3.52	3.49	3.41	3.33	3.28	3.20	3.12	3.07	3.04	2.96	2.89	2.81	2.73	2.66
AMPS	17.0	15.7	14.7	13.8	13.2	13.0	12.2	11.5	11.0	10.5	10.0	9.7	9.6	9.1	8.4	7.9	7.2	6.4
COP	4.80	4.64	4.46	4.26	4.12	4.03	3.82	3.61	3.47	3.29	3.10	2.97	2.89	2.66	2.42	2.17	1.90	1.61
EER	16.4	15.8	15.2	14.5	14.1	13.8	13.1	12.3	11.9	11.2	10.6	10.2	9.9	9.1	8.3	7.4	6.5	5.5

Calculations are based on nominal CFM and 70° F indoor dry bulb.

\*Note: Shaded area is AHRI Rating Conditions at 47° outdoor ambient temperature.

AMPS = Outdoor unit amps (comp. + fan)

KW = Total system power

### HEATING MODE PRESSURE CHART

Pressures shown are for most popular match indoor unit WITH NO FROST ON OUTDOOR COIL. Due to factors like airflow, charge, indoor coil & frost, pressures will vary significantly. Liquid (small) service valve pressures should be ± 20 psig & suction (access port) pressures should be ± 5 psig of the values listed in this chart.

	Indoor Air Flow Rate	Indoor Return Air Dry Bulb Temperature (°F)	Outdoor Air Dry Bulb Temperature (°F)																					
			17		22		27		32		37		42		47		52		57		62		67	
			Liq	Suct	Liq	Suct	Liq	Suct	Liq	Suct	Liq	Suct	Liq	Suct	Liq	Suct	Liq	Suct	Liq	Suct	Liq	Suct	Liq	Suct
Low Stage	1050	65	248	58	256	67	265	76	273	84	282	93	290	102	299	110	307	119	316	128	324	136	333	145
		70	266	58	275	67	283	75	292	84	300	93	309	101	317	110	326	119	334	127	343	136	351	145
		75	285	58	294	67	303	75	311	84	320	92	328	101	337	110	346	118	354	127	362	135	371	144
	1200	65	239	58	248	66	256	75	264	83	272	92	280	101	289	109	297	118	305	126	313	135	322	144
		70	257	58	265	67	274	75	282	84	290	93	298	101	307	110	315	118	323	127	331	136	340	144
		75	276	59	284	67	292	76	301	84	309	93	317	102	326	110	334	119	342	127	350	136	358	145
	1350	65	233	58	241	66	249	75	257	83	265	92	273	101	281	109	289	118	297	126	306	135	314	144
		70	251	58	259	67	267	75	275	84	283	92	291	101	299	110	307	118	315	127	323	135	331	144
		75	269	58	277	67	285	76	293	84	301	93	309	102	317	110	325	119	333	127	341	136	349	144
High Stage	1580	65	263	56	270	64	276	72	282	80	288	87	295	95	301	103	307	111	314	119	320	127	327	135
		70	283	56	289	64	295	71	301	79	308	87	314	95	320	103	326	111	332	119	339	127	345	135
		75	303	56	309	63	316	71	322	79	328	87	334	95	340	103	346	111	352	118	358	126	364	134
	1800	65	255	55	261	63	267	71	273	79	279	87	285	95	291	102	297	110	303	118	309	126	316	134
		70	273	56	279	64	285	71	291	79	297	87	303	95	309	103	315	111	321	119	327	126	333	134
		75	293	56	299	64	305	72	311	80	317	88	323	95	328	103	334	111	340	119	346	127	351	135
	2030	65	248	55	254	63	260	71	266	79	272	87	278	94	284	102	290	110	296	118	302	126	308	134
		70	267	56	272	63	278	71	284	79	290	87	296	95	301	103	307	111	313	118	319	126	325	134
		75	286	56	292	64	297	72	303	80	309	88	314	95	320	103	326	111	331	119	337	127	343	135

Label p/n: 0140R00182-A



# SPLIT SYSTEM HEATING PERFORMANCE

**\*SZC180601A\***

## EXPANDED PERFORMANCE DATA

**LOW STAGE**

MODEL: \*SZC180481A\* / CA\*F4961\*6\*\* + TXV / MBVC2000\*\*-1\*\*

**HEATING OPERATION**

	Outdoor Ambient Temperature																	
	65	60	55	50	47	45	40	35	30	25	20	17	15	10	5	0	-5	-10
MBh	52.0	49.2	46.3	43.3	41.4	40.1	37.2	34.3	32.6	30.1	27.7	26.1	25.2	22.6	20.0	17.5	14.9	12.2
DELTA T	39.3	37.2	35.0	32.7	31.3	30.3	28.1	25.9	24.6	22.7	20.9	19.8	19.0	17.1	15.1	13.2	11.3	9.2
KW	3.66	3.58	3.50	3.42	3.37	3.34	3.26	3.18	3.23	3.15	3.06	3.01	2.98	2.90	2.81	2.73	2.65	2.57
AMPS	17.5	16.2	15.1	14.2	13.6	13.4	12.6	11.9	11.3	10.8	10.3	10.0	9.8	9.3	8.6	8.1	7.4	6.6
COP	4.16	4.02	3.87	3.71	3.59	3.51	3.34	3.16	2.95	2.80	2.64	2.54	2.47	2.28	2.08	1.87	1.65	1.39
EER	14.2	13.7	13.2	12.7	12.3	12.0	11.4	10.8	10.1	9.6	9.0	8.7	8.4	7.8	7.1	6.4	5.6	4.8

## EXPANDED PERFORMANCE DATA

**HIGH STAGE**

MODEL: \*SZC180601A\* / CA\*F4961\*6\*\* + TXV / MBVC2000\*\*-1\*\*

**HEATING OPERATION**

	Outdoor Ambient Temperature																	
	65	60	55	50	47	45	40	35	30	25	20	17	15	10	5	0	-5	-10
MBh	71.6	67.8	63.8	59.7	57.0	55.2	51.3	47.3	46.7	43.1	39.7	37.5	36.1	32.4	28.7	25.0	21.4	17.5
DELTA T	37.9	35.9	33.8	31.6	30.2	29.2	27.1	25.0	24.7	22.8	21.0	19.8	19.1	17.1	15.2	13.2	11.3	9.3
KW	4.94	4.84	4.73	4.63	4.57	4.52	4.42	4.32	4.28	4.17	4.07	4.00	3.96	3.85	3.75	3.65	3.54	3.44
AMPS	24.5	22.1	20.2	18.6	17.6	17.1	15.7	14.5	13.6	12.6	11.7	11.2	10.9	10.0	8.8	7.9	6.7	5.3
COP	4.24	4.10	3.95	3.77	3.65	3.57	3.40	3.21	3.19	3.02	2.86	2.74	2.66	2.46	2.24	2.01	1.77	1.49
EER	14.5	14.0	13.5	12.9	12.5	12.2	11.6	11.0	10.9	10.3	9.8	9.4	9.1	8.4	7.7	6.9	6.0	5.1

Calculations are based on nominal CFM and 70° F indoor dry bulb.

\*Note: Shaded area is AHRI Rating Conditions at 47° outdoor ambient temperature.

AMPS = Outdoor unit amps (comp. + fan)

KW = Total system power

# SPLIT SYSTEM HEATING PERFORMANCE

**\*SZC180601B\***

## EXPANDED PERFORMANCE DATA

**LOW STAGE**

**MODEL: \*SZC180601B\* CAPF4961D6 MBVC2000A - LOW STAGE**

**HEATING OPERATION**

	Outdoor Ambient Temperature																	
	65	60	55	50	47	45	40	35	30	25	20	17	15	10	5	0	-5	-10
MBh	49.8	47.1	44.4	41.5	39.6	38.4	35.6	32.9	29.8	27.5	25.3	23.9	23.0	20.7	18.3	16.0	13.6	11.2
T/R	38.4	36.4	34.2	32.0	30.6	29.6	27.5	25.4	23.0	21.2	19.5	18.5	17.8	15.9	14.1	12.3	10.5	8.6
KW	3.41	3.33	3.26	3.19	3.15	3.12	3.05	2.97	3.37	3.28	3.20	3.15	3.11	3.03	2.94	2.86	2.77	2.69
AMPS	16.8	15.6	14.6	13.7	13.2	12.9	12.2	11.6	11.1	10.6	10.1	9.8	9.7	9.2	8.6	8.0	7.4	6.7
COP	4.28	4.14	3.98	3.81	3.68	3.60	3.42	3.24	2.59	2.45	2.32	2.22	2.17	2.00	1.82	1.64	1.44	1.22
EER	14.6	14.1	13.6	13.0	12.6	12.3	11.7	11.1	8.8	8.4	7.9	7.6	7.4	6.8	6.2	5.6	4.9	4.2

## EXPANDED PERFORMANCE DATA

**HIGH STAGE**

**MODEL: \*SZC180601B\* CAPF4961D6 MBVC2000A - HIGH STAGE**

**HEATING OPERATION**

	Outdoor Ambient Temperature																	
	65	60	55	50	47	45	40	35	30	25	20	17	15	10	5	0	-5	-10
MBh	71.0	67.2	63.3	59.2	56.5	54.7	50.9	46.9	43.6	40.3	37.1	35.0	33.7	30.2	26.8	23.4	20.0	16.3
T/R	36.5	34.6	32.6	30.4	29.1	28.2	26.2	24.1	22.4	20.7	19.1	18.0	17.3	15.6	13.8	12.0	10.3	8.4
KW	4.57	4.48	4.39	4.30	4.24	4.21	4.12	4.03	4.52	4.41	4.31	4.24	4.20	4.09	3.99	3.88	3.77	3.67
AMPS	21.4	19.8	18.5	17.3	16.7	16.4	15.4	14.6	14.0	13.3	12.6	12.3	12.2	11.5	10.7	10.1	9.3	8.3
COP	4.55	4.39	4.22	4.03	3.90	3.81	3.61	3.41	2.82	2.67	2.52	2.41	2.35	2.16	1.97	1.76	1.55	1.30
EER	15.5	15.0	14.4	13.8	13.3	13.0	12.3	11.6	9.6	9.1	8.6	8.2	8.0	7.4	6.7	6.0	5.3	4.5

Calculations are based on nominal CFM and 70° F indoor dry bulb.

\*Note: Shaded area is AHRI Rating Conditions at 47° outdoor ambient temperature.

AMPS= Outdoor unit amps (comp. + fan)

KW = Total system power

### HEATING MODE PRESSURE CHART

Pressures shown are for most popular match indoor unit WITH NO FROST ON OUTDOOR COIL. Due to factors like airflow, charge, indoor coil & frost, pressures will vary significantly. Liquid (small) service valve pressures should be ± 20 psig & suction (access port) pressures should be ±5 psig of the values listed in this chart.

	Indoor Air Flow Rate	Indoor Return Air Dry Bulb Temperature (°F)	Outdoor Air Dry Bulb Temperature (°F)																							
			17		22		27		32		37		42		47		52		57		62		67			
			Liq	Suct	Liq	Suct	Liq	Suct	Liq	Suct	Liq	Suct	Liq	Suct	Liq	Suct	Liq	Suct	Liq	Suct	Liq	Suct	Liq	Suct		
Low Stage	1050	65	276	56	284	65	293	73	301	82	310	91	319	99	328	108	336	116	345	125	354	134	363	142		
		70	296	56	305	65	313	73	322	82	331	90	339	99	348	107	357	116	365	125	374	133	383	142		
		75	317	56	326	64	335	73	344	81	352	90	361	99	370	107	378	116	387	124	395	133	404	141		
	1200	65	266	56	275	64	283	73	291	81	300	90	308	98	316	107	325	115	333	124	342	132	350	141		
		70	286	56	294	65	303	73	311	82	320	90	328	99	336	107	345	116	353	124	361	133	370	141		
		75	307	56	315	65	324	74	332	82	340	91	349	99	357	108	365	116	374	125	382	133	390	142		
	1350	65	260	56	268	64	276	73	284	81	292	90	300	98	309	107	317	115	325	124	333	132	342	141		
		70	279	56	287	64	295	73	303	82	312	90	320	99	328	107	336	116	344	124	352	133	361	141		
		75	299	56	307	65	316	73	324	82	332	91	340	99	348	108	356	116	364	125	372	133	380	142		
High Stage	1580	65	283	56	290	63	296	70	302	78	308	85	314	92	321	100	327	107	333	114	340	122	346	129		
		70	304	55	310	63	317	70	323	77	329	85	335	92	341	99	347	107	353	114	359	121	365	129		
		75	326	55	332	63	338	70	344	77	350	84	356	92	362	99	368	106	374	114	380	121	385	128		
	1800	65	274	55	280	62	286	70	292	77	298	84	304	91	310	99	316	106	322	113	328	121	334	128		
		70	294	56	300	63	306	70	312	77	318	85	323	92	329	99	335	106	341	114	347	121	353	128		
		75	315	56	321	63	327	70	333	78	338	85	344	92	350	100	355	107	361	114	367	121	372	129		
	2030	65	267	55	273	62	279	70	284	77	290	84	296	91	302	99	308	106	314	113	320	120	326	128		
		70	287	55	292	63	298	70	304	77	310	84	315	92	321	99	327	106	333	114	338	121	344	128		
		75	307	56	313	63	319	70	324	78	330	85	335	92	341	99	347	107	352	114	358	121	363	129		

Label p/n: 0140R00181-A

# HEATING SPECIFICATIONS

# LOW STAGE

**\*SZC180361A\* / CA\*F3743\*6\*\*+TXV / MBVC1600\*\*-1\*\***  
**Conditions: 850 CFM Indoor Air @ 70 °F DB LOW STAGE**

Outdoor Ambient °F.	Basic Unit without Auxiliary Heat		Capacity of Unit With KW of Auxiliary heat			
	capacity btuh	c.o.p.	4.8	9.6	14.4	19.2
65	30.79	4.54	47.18	63.56	79.94	96.32
60	29.15	4.39	45.53	61.92	78.30	94.68
55	27.44	4.23	43.82	60.20	76.58	92.97
50	25.65	4.04	42.03	58.41	74.80	91.18
45	23.74	3.83	40.12	56.50	72.88	89.27
40	22.05	3.64	38.43	54.81	71.19	87.58
35	20.33	3.44	36.71	53.10	69.48	85.86
30	18.03	2.96	34.42	50.80	67.18	83.56
25	16.65	2.81	33.03	49.41	65.79	82.17
20	15.33	2.65	31.71	48.09	64.48	80.86
15	13.94	2.48	30.32	46.70	63.09	79.47
10	12.51	2.28	28.89	45.27	61.65	78.04
5	11.09	2.08	27.47	43.85	60.23	76.62
0	9.67	1.87	26.05	42.43	58.82	75.20
-5	8.25	1.64	24.63	41.01	57.40	73.78
-10	6.76	1.39	23.14	39.52	55.91	72.29

**\*SZC180481A\* / CA\*F4961\*6\*\*+TXV / MBVC2000\*\*-1\*\***  
**Conditions:1200 CFM Indoor Air @ 70 °F DB LOW STAGE**

Outdoor Ambient °F.	Basic Unit without Auxiliary Heat		Capacity of Unit With KW of Auxiliary heat			
	capacity btuh	c.o.p.	4.8	9.6	14.4	19.2
65	43.77	4.79	60.15	76.53	92.92	109.30
60	41.44	4.63	57.82	74.20	90.58	106.97
55	39.00	4.46	55.38	71.76	88.15	104.53
50	36.46	4.27	52.84	69.22	85.60	101.99
45	33.74	4.04	50.12	66.51	82.89	99.27
40	31.34	3.84	47.72	64.10	80.49	96.87
35	28.90	3.63	45.28	61.67	78.05	94.43
30	27.04	3.24	43.42	59.80	76.19	92.57
25	24.96	3.07	41.34	57.72	74.10	90.49
20	22.98	2.90	39.36	55.75	72.13	88.51
15	20.90	2.71	37.28	53.66	70.05	86.43
10	18.75	2.50	35.13	51.51	67.90	84.28
5	16.62	2.28	33.01	49.39	65.77	82.15
0	14.50	2.05	30.88	47.26	63.64	80.03
-5	12.37	1.80	28.75	45.13	61.52	77.90
-10	10.13	1.52	26.52	42.90	59.28	75.66

**\*SZC180601A\* / CA\*F4961\*6\*\*+TXV / MBVC2000\*\*-1\*\***  
**Conditions:1200 CFM Indoor Air @ 70 °F DB LOW STAGE**

Outdoor Ambient °F.	Basic Unit without Auxiliary Heat		Capacity of Unit With KW of Auxiliary heat			
	capacity btuh	c.o.p.	4.8	9.6	14.4	19.2
65	51.98	4.16	68.36	84.74	101.13	117.51
60	49.21	4.02	65.59	81.97	98.36	114.84
55	46.31	3.87	62.70	79.08	95.46	111.84
50	43.30	3.71	59.68	76.06	92.44	108.83
45	40.07	3.51	56.45	72.83	89.22	105.60
40	37.22	3.34	53.60	69.98	86.36	102.75
35	34.32	3.16	50.70	67.09	83.47	99.85
30	32.57	2.95	48.95	65.34	81.72	98.10
25	30.06	2.80	46.44	62.83	79.21	95.59
20	27.68	2.64	44.07	60.45	76.83	93.21
15	25.17	2.47	41.56	57.94	74.32	90.70
10	22.59	2.28	38.97	55.35	71.73	88.11
5	20.02	2.08	36.41	52.79	69.17	85.55
0	17.46	1.87	33.84	50.23	66.61	82.99
-5	14.90	1.65	31.28	47.66	64.05	80.43
-10	12.21	1.39	28.59	44.97	61.35	77.74

**\*SZC180601B\* / CA\*F4860\*6A\*\*+TXV / MBVC2000\*\*-1**  
**Conditions:1200 CFM @ 70°F DB, LOW STAGE**

Outdoor Ambient °F.	Basic Unit without Auxiliary Heat		Capacity of Unit With KW of Auxiliary heat			
	capacity btuh	c.o.p.	4.8	9.6	14.4	19.2
65	49.79	4.28	66.17	82.54	98.92	115.30
60	47.14	4.14	63.51	79.89	96.27	112.65
55	44.36	3.99	60.74	77.12	93.50	109.87
50	41.47	3.81	57.85	74.23	90.60	106.98
45	38.38	3.61	54.76	71.14	87.51	103.89
40	35.65	3.43	52.03	68.40	84.78	101.16
35	32.88	3.24	49.25	65.63	82.01	98.39
30	29.81	2.59	46.18	62.56	78.94	95.32
25	27.51	2.46	43.89	60.27	76.64	93.02
20	25.33	2.32	41.71	58.09	74.47	90.84
15	23.04	2.17	39.41	55.79	72.17	88.55
10	20.67	2.00	37.05	53.42	69.80	86.18
5	18.32	1.83	34.70	51.08	67.46	83.83
0	15.98	1.64	32.36	48.74	65.11	81.49
-5	13.64	1.44	30.01	46.39	62.77	79.15
-10	11.17	1.22	27.55	43.93	60.30	76.68

\*To obtain BTU capacity of unit with KW of auxiliary heat, multiply by 1000 (Example: 39.01 x 1000 = 39,010 BTU)

# HEATING SPECIFICATIONS

# HIGH STAGE

**\*SZC180361A\* / CA\*F3743\*6\*\*+TXV / MBVC1600\*\*-1\*\***  
**Condition: 1250 CFM Indoor Air @ 70 °F DB, HIGH STAGE**

Outdoor Ambient °F.	Basic Unit without Auxiliary Heat		Capacity of Unit With KW of Auxiliary heat			
	capacity btuh	c.o.p.	4.8	9.6	14.4	19.2
65	44.54	4.64	60.92	77.30	93.68	110.07
60	42.16	4.49	58.55	74.93	91.31	107.69
55	39.68	4.32	56.07	72.45	88.83	105.21
50	37.10	4.12	53.48	69.86	86.24	102.63
45	34.33	3.90	50.72	67.10	83.48	99.86
40	31.89	3.71	48.27	64.65	81.04	97.42
35	29.41	3.50	45.79	62.17	78.56	94.94
30	27.47	3.30	43.86	60.24	76.62	93.00
25	25.36	3.13	41.74	58.12	74.50	90.89
20	23.35	2.95	39.73	56.12	72.50	88.88
15	21.23	2.75	37.62	54.00	70.38	86.76
10	19.05	2.54	35.43	51.82	68.20	84.58
5	16.89	2.31	33.27	49.65	66.04	82.42
0	14.73	2.07	31.11	47.49	63.88	80.26
-5	12.57	1.82	28.95	45.33	61.72	78.10
-10	10.30	1.53	26.68	43.06	59.44	75.83

**\*SZC180481A\* / CA\*F4961\*6\*\* + TXV / MBVC2000\*\*-1\*\***  
**Condition: 1750 CFM Indoor Air @ 70 °F DB, HIGH STAGE**

Outdoor Ambient °F.	Basic Unit without Auxiliary Heat		Capacity of Unit With KW of Auxiliary heat			
	capacity btuh	c.o.p.	4.8	9.6	14.4	19.2
65	62.22	4.80	78.60	94.99	111.37	127.75
60	58.91	4.64	75.29	91.67	108.05	124.43
55	55.44	4.46	71.82	88.20	104.59	120.97
50	51.83	4.26	68.21	84.59	100.97	117.36
45	47.97	4.03	64.35	80.73	97.11	113.50
40	44.55	3.82	60.93	77.31	93.70	110.08
35	41.09	3.61	57.47	73.85	90.23	106.61
30	38.88	3.47	55.26	71.64	88.02	104.41
25	35.88	3.29	52.26	68.65	85.03	101.41
20	33.04	3.10	49.43	65.81	82.19	98.57
15	30.05	2.89	46.43	62.81	79.19	95.58
10	26.96	2.66	43.34	59.72	76.11	92.49
5	23.90	2.42	40.28	56.67	73.05	89.43
0	20.84	2.17	37.23	53.61	69.99	86.37
-5	17.79	1.90	34.17	50.55	66.93	83.31
-10	14.57	1.61	30.95	47.34	63.72	80.10

**\*SZC180601A\* / CA\*F4961\*6\*\* + TXV / MBVC2000\*\*-1\*\***  
**Condition: 1750 CFM Indoor Air @ 70 °F DB, HIGH STAGE**

Outdoor Ambient °F.	Basic Unit without Auxiliary Heat		Capacity of Unit With KW of Auxiliary heat			
	capacity btuh	c.o.p.	4.8	9.6	14.4	19.2
65	71.65	4.24	88.03	104.41	120.80	137.18
60	67.83	4.10	84.21	100.59	116.98	133.36
55	63.84	3.95	80.22	96.60	112.99	129.37
50	59.68	3.77	76.06	92.44	108.83	125.21
45	55.23	3.57	71.62	88.00	104.38	120.76
40	51.30	3.40	67.68	84.06	100.45	116.83
35	47.31	3.21	63.69	80.07	96.46	112.84
30	46.68	3.19	63.06	79.44	95.82	112.20
25	43.08	3.02	59.46	75.84	92.23	108.61
20	39.67	2.86	56.05	72.43	88.82	105.20
15	36.07	2.66	52.46	68.84	85.22	101.60
10	32.37	2.46	48.75	65.13	81.51	97.90
5	28.69	2.24	45.08	61.46	77.84	94.22
0	25.02	2.01	41.41	57.79	74.17	90.55
-5	21.35	1.77	37.73	54.12	70.50	86.88
-10	17.49	1.49	33.88	50.26	66.64	83.02

**\*SZC180601B\* / CA\*F4860\*6A\*\*+TXV / MBVC2000\*\*-1**  
**Conditions:1750 CFM @ 70°F DB, HIGH STAGE**

Outdoor Ambient °F.	Basic Unit without Auxiliary Heat		Capacity of Unit With KW of Auxiliary heat			
	capacity btuh	c.o.p.	4.8	9.6	14.4	19.2
65	71.02	4.55	87.40	103.78	120.15	136.53
60	67.24	4.40	83.61	99.99	116.37	132.75
55	63.28	4.23	79.66	96.04	112.41	128.79
50	59.16	4.04	75.53	91.91	108.29	124.67
45	54.75	3.82	71.13	87.50	103.88	120.26
40	50.85	3.62	67.23	83.61	99.98	116.36
35	46.90	3.41	63.27	79.65	96.03	112.41
30	43.61	2.83	59.99	76.37	92.74	109.12
25	40.25	2.67	56.63	73.01	89.38	105.76
20	37.07	2.52	53.44	69.82	86.20	102.58
15	33.71	2.35	50.08	66.46	82.84	99.22
10	30.24	2.17	46.62	63.00	79.37	95.75
5	26.81	1.97	43.19	59.57	75.94	92.32
0	23.38	1.77	39.76	56.14	72.51	88.89
-5	19.95	1.55	36.33	52.71	69.08	85.46
-10	16.35	1.31	32.72	49.10	65.48	81.86

\*To obtain BTU capacity of unit with KW of auxiliary heat, multiply by 1000 (Example: 39.01 x 1000 = 39,010 BTU)

# PERFORMANCE DATA

## PERFORMANCE TEST

All data based upon listed indoor dry bulb temperature. .00 inches external static pressure on coil of outdoor section. Indoor air cubic feet per minute (CFM) as listed in the Performance Data Sheets:

If conditions vary from this, results will change as follows:

1. As indoor dry bulb temperatures increase, a slight increase will occur in indoor air temperature drop (Delta T). Low and high side pressures and power will not change.
2. As indoor CFM decreases, a slight increase will occur in indoor temperature drop (Delta T). A slight decrease will occur in low and high side pressures and power.

A properly operating unit should be within the subcooling value shown in the Heat Pump Specifications.

A properly operating unit should be within plus or minus **3 degrees** of the typical (Delta T) value shown.

A properly operating unit should be within plus or minus **7 PSIG** of the **HI PR** shown.

A properly operating unit should be within plus or minus **3 PSIG** of the **LO PR** shown.

A properly operating unit should be within plus or minus **3 Amps** of the typical value shown.

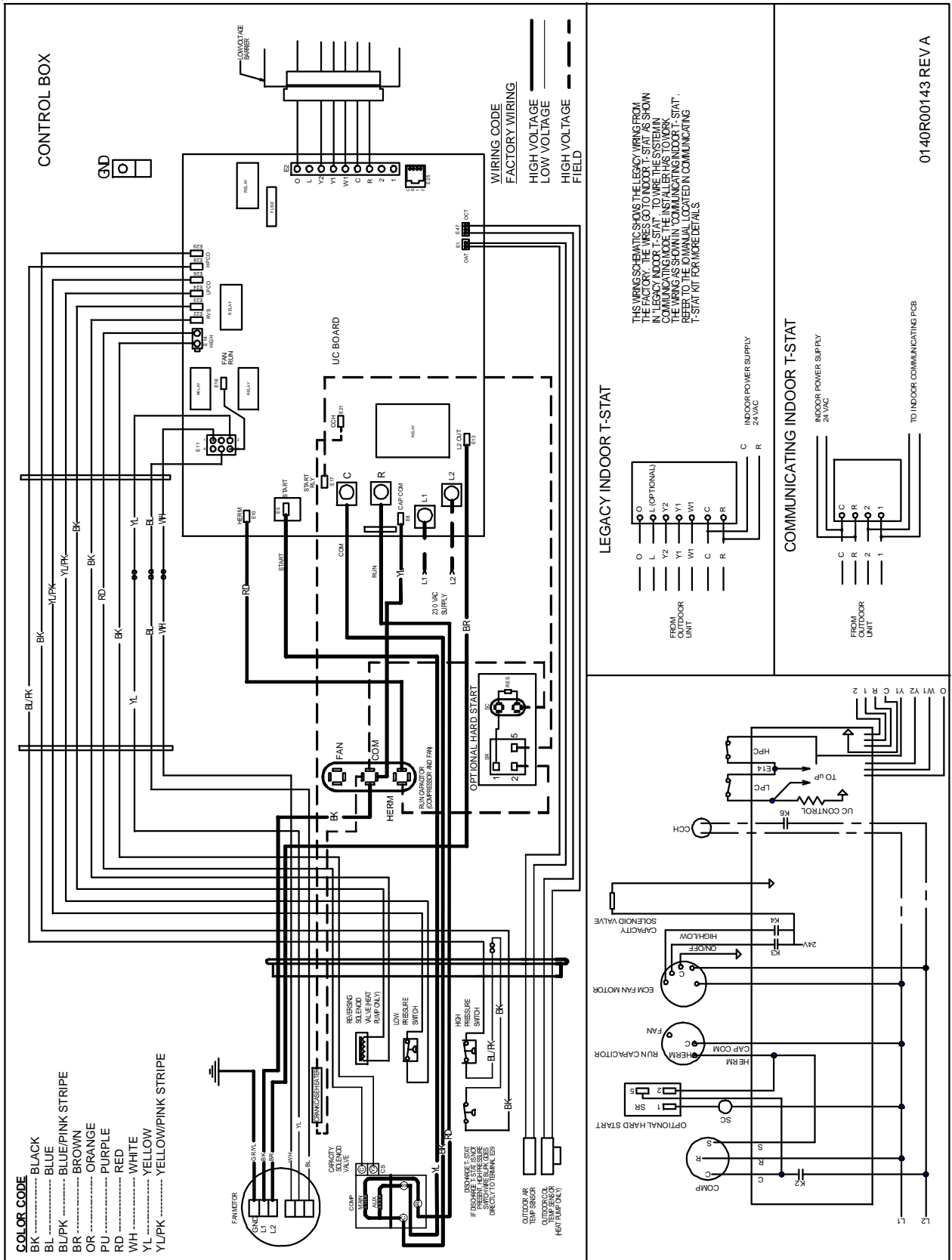
*NOTE: Pressures are measured at the liquid and suction service valve ports.*

# WIRING DIAGRAMS

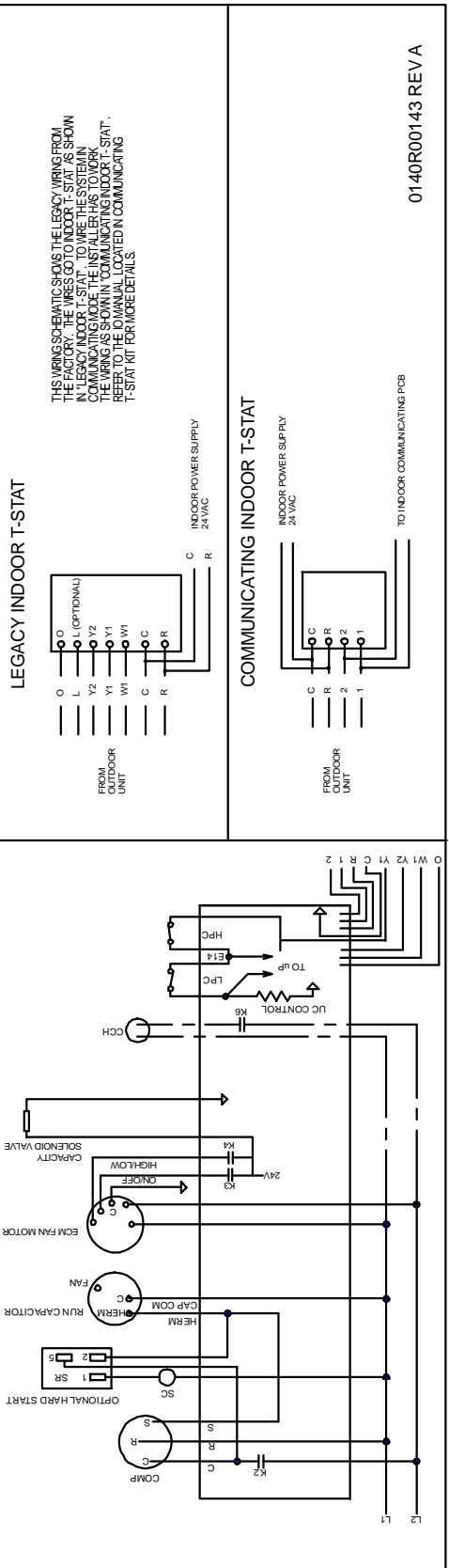
# \*SZC180[36-60]1AA/AB

WARNING

HIGH VOLTAGE!  
DISCONNECT ALL POWER BEFORE SERVICING OR INSTALLING THIS UNIT. MULTIPLE POWER SOURCES MAY BE PRESENT. FAILURE TO DO SO MAY CAUSE PROPERTY DAMAGE, PERSONAL INJURY OR DEATH.



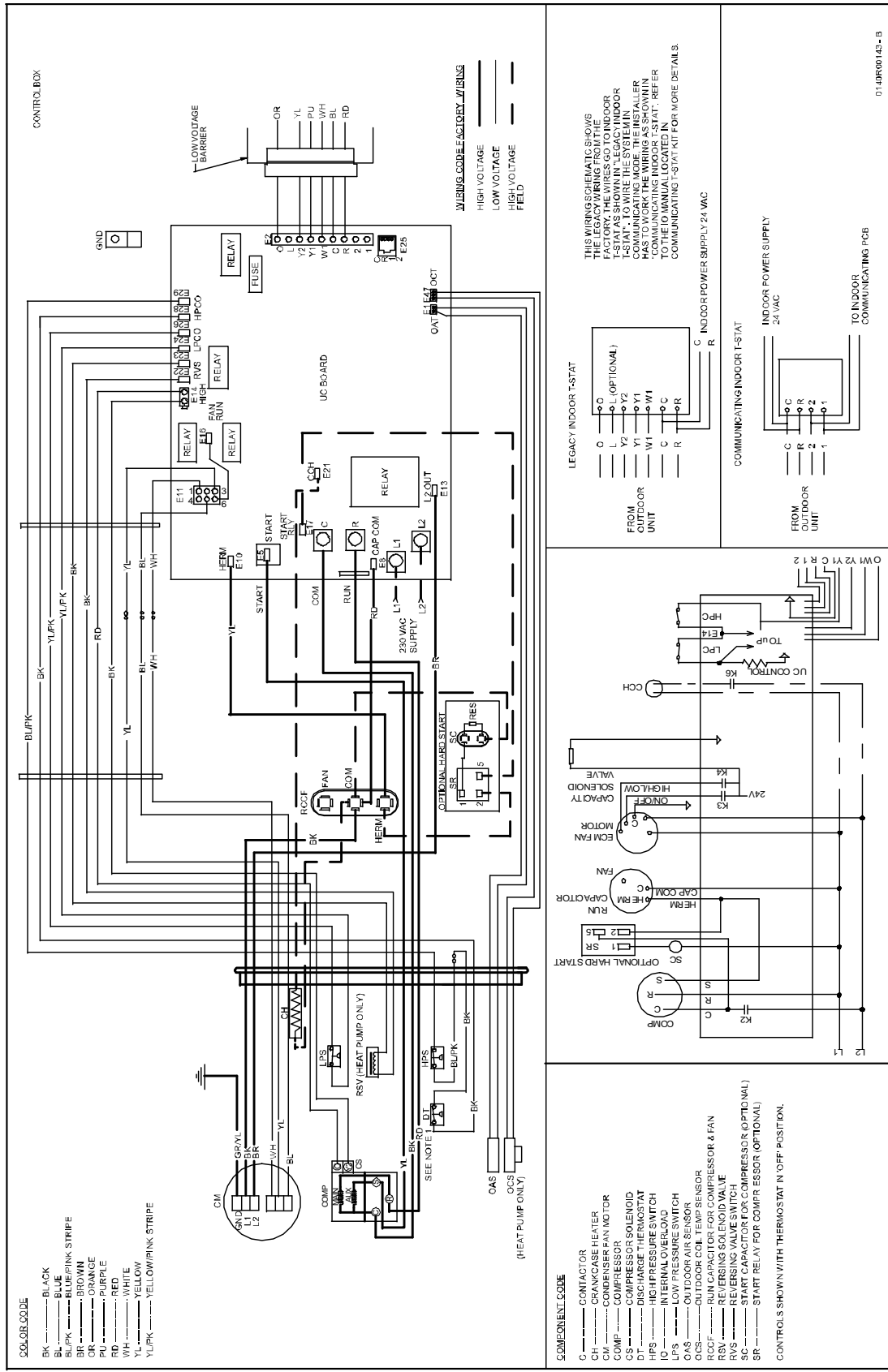
Wiring is subject to change. Always refer to the wiring diagram on the unit for the most up-to-date wiring.



0140R00143 REV A

WARNING

HIGH VOLTAGE! DISCONNECT ALL POWER BEFORE SERVICING OR INSTALLING THIS UNIT. MULTIPLE POWER SOURCES MAY BE PRESENT. FAILURE TO DO SO MAY CAUSE PROPERTY DAMAGE, PERSONAL INJURY OR DEATH.



Wiring is subject to change. Always refer to the wiring diagram on the unit for the most up-to-date wiring.

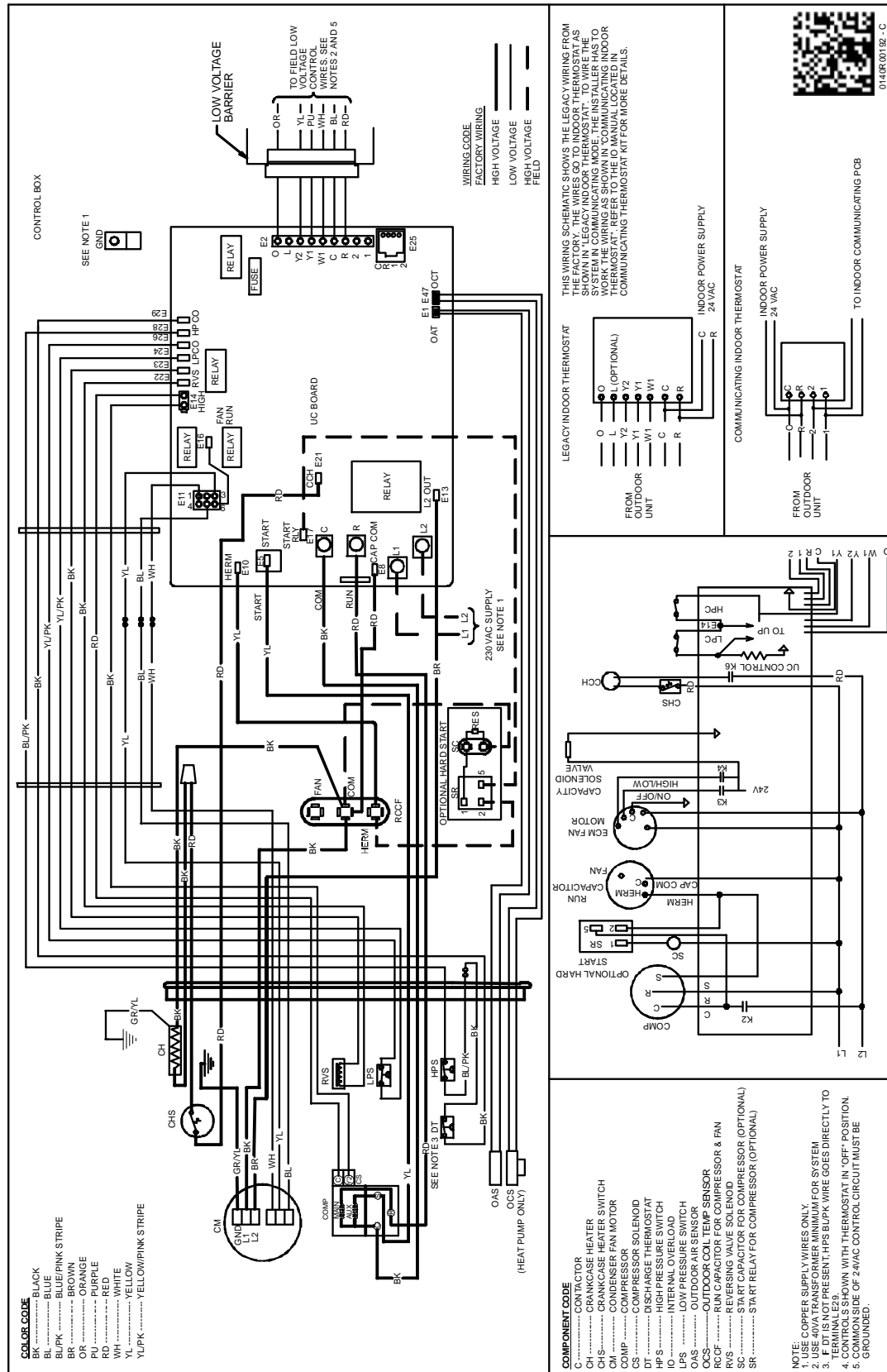


# WIRING DIAGRAMS

# \*SZC180[36-48]1AC, \*SZC180[60]1BA

WARNING

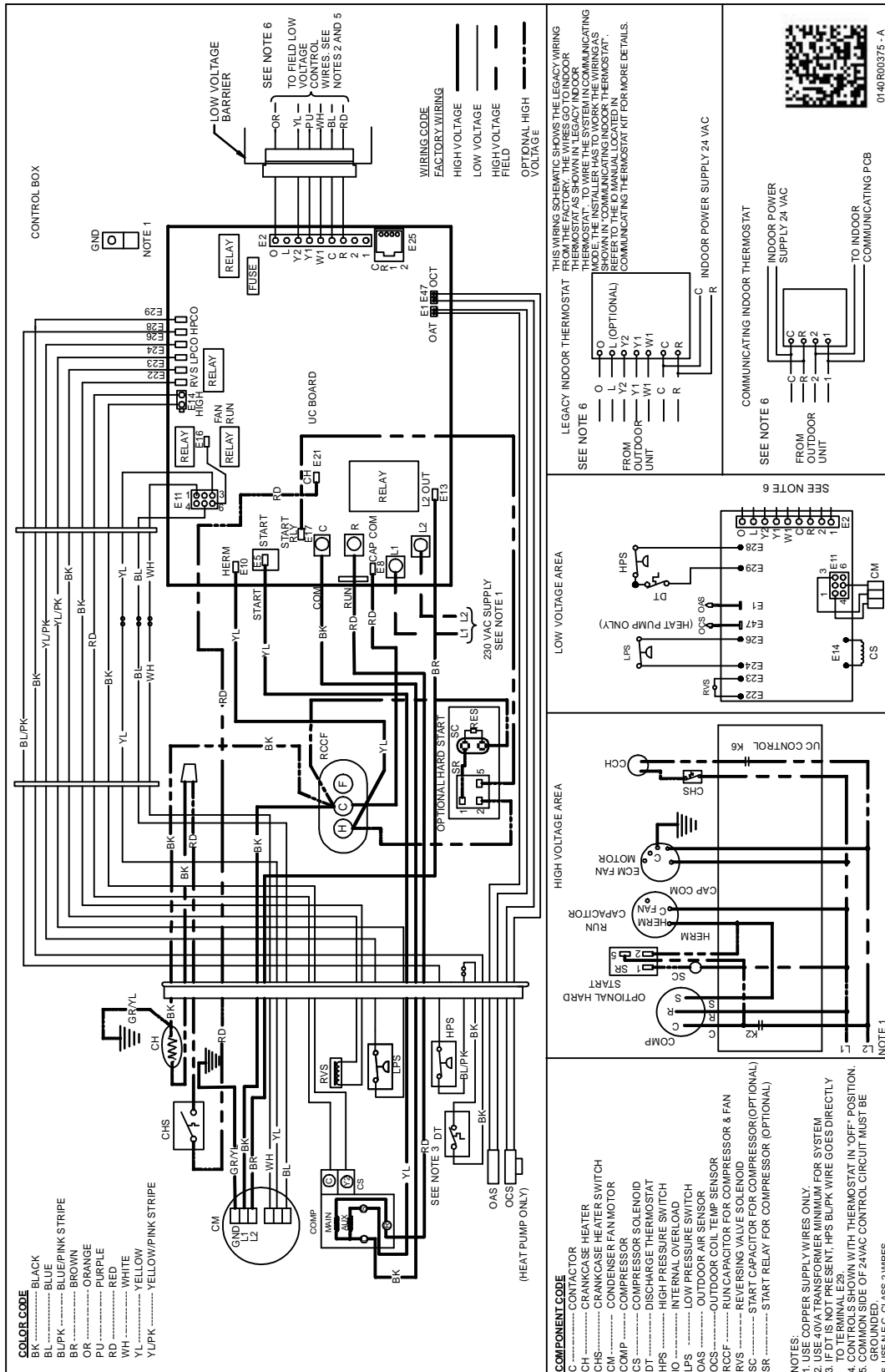
HIGH VOLTAGE!  
DISCONNECT ALL POWER BEFORE SERVICING OR INSTALLING THIS UNIT. MULTIPLE POWER SOURCES MAY BE PRESENT. FAILURE TO DO SO MAY CAUSE PROPERTY DAMAGE, PERSONAL INJURY OR DEATH.



Wiring is subject to change. Always refer to the wiring diagram on the unit for the most up-to-date wiring.

WARNING

HIGH VOLTAGE! DISCONNECT ALL POWER BEFORE SERVICING OR INSTALLING THIS UNIT. MULTIPLE POWER SOURCES MAY BE PRESENT. FAILURE TO DO SO MAY CAUSE PROPERTY DAMAGE, PERSONAL INJURY OR DEATH.



Wiring is subject to change. Always refer to the wiring diagram on the unit for the most up-to-date wiring.