

SUNSTONE®

CLASSIC SERIES FLUSH STYLE

PRODUCT

A-DD30
A-DD33
A-DD36
A-DD42

DESCRIPTION

Classic Series Flush Style Double
Doors sizes 30", 33", 36" & 42"
Group Specification Guide

SPECIFICATIONS

The Frame and All Parts are made from
16 gauge 304 SS. The Door Panel is
made from 18 gauge 304 SS w/Light
Horizontal Brushed Finish #4. The
Handle is Cast Chrome Plated

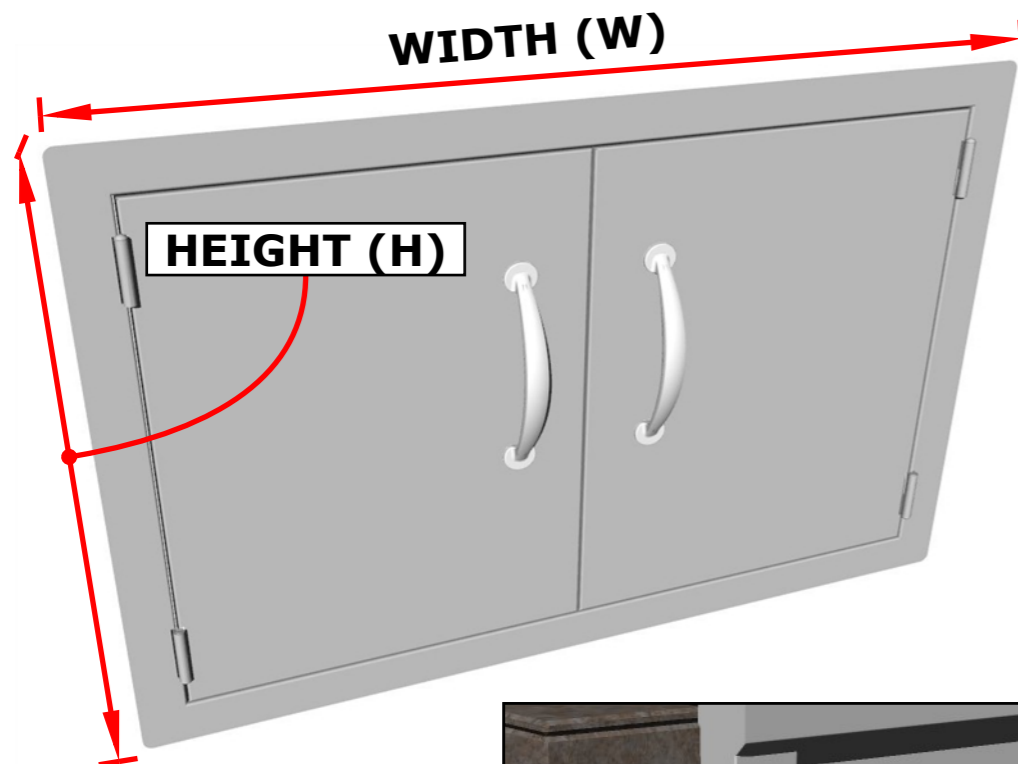
WARRANTY

- EXTERIOR FINISH -----3 YEARS
- STRUCTURE -----3 YEARS
- HANDLE-----1 YEAR

MANUFACTURER

SUNSTONE METAL PRODUCTS LLC.
Tel: 512-487-5116
Toll Free: 888-934-9449 (Technical
Support Line) Fax: 512-487-7016
Business Hour. Monday to Thursday.
9:00AM to 4:30PM

Product Dimensions



Model Number	Product Size	Cut-Out Size
A-DD30	30" W x 21-1/8" H x 1-5/8" D	27-1/2"W x 18-1/2" H
A-DD33	33" W x 21-1/8" H x 1-5/8" D	30-1/2"W x 18-1/2" H
A-DD36	36" W x 21-1/8" H x 1-5/8" D	33-1/2"W x 18-1/2" H
A-DD42	42" W x 21-1/8" H x 1-5/8" D	39-1/2"W x 18-1/2" H

Cut-Out Dimensions & Installation

