

**Product Dimension**

**Cut-out Dimension**

1 7/16" Flange Dimension

Sunstone Metal Products  
 16004 Central Commerce Dr  
 Pflugerville TX 78665  
 Tel: 888.934.9449  
 Bus: 512.487.5116  
 Fax: 512.487.7016

**PRODUCT**

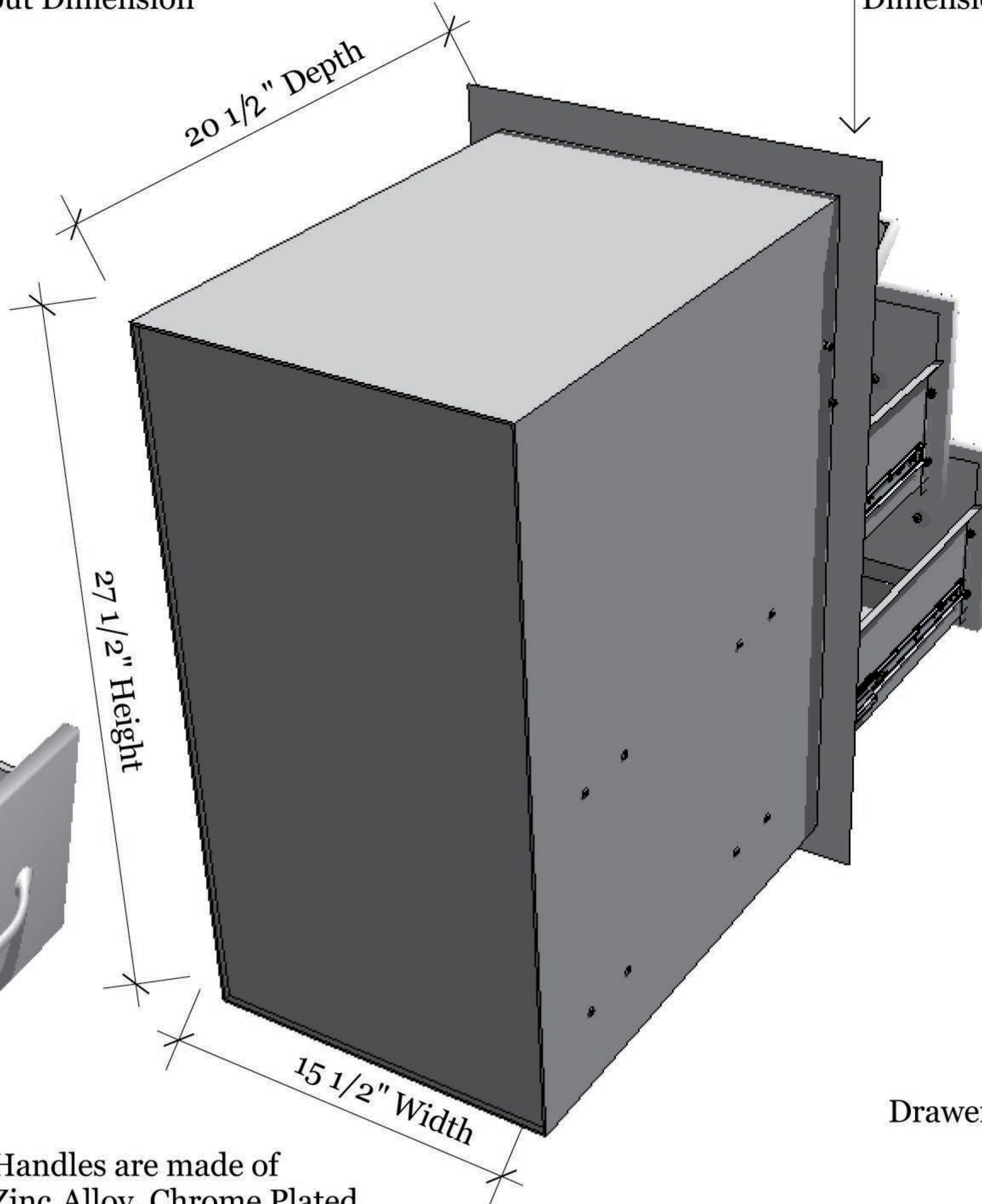
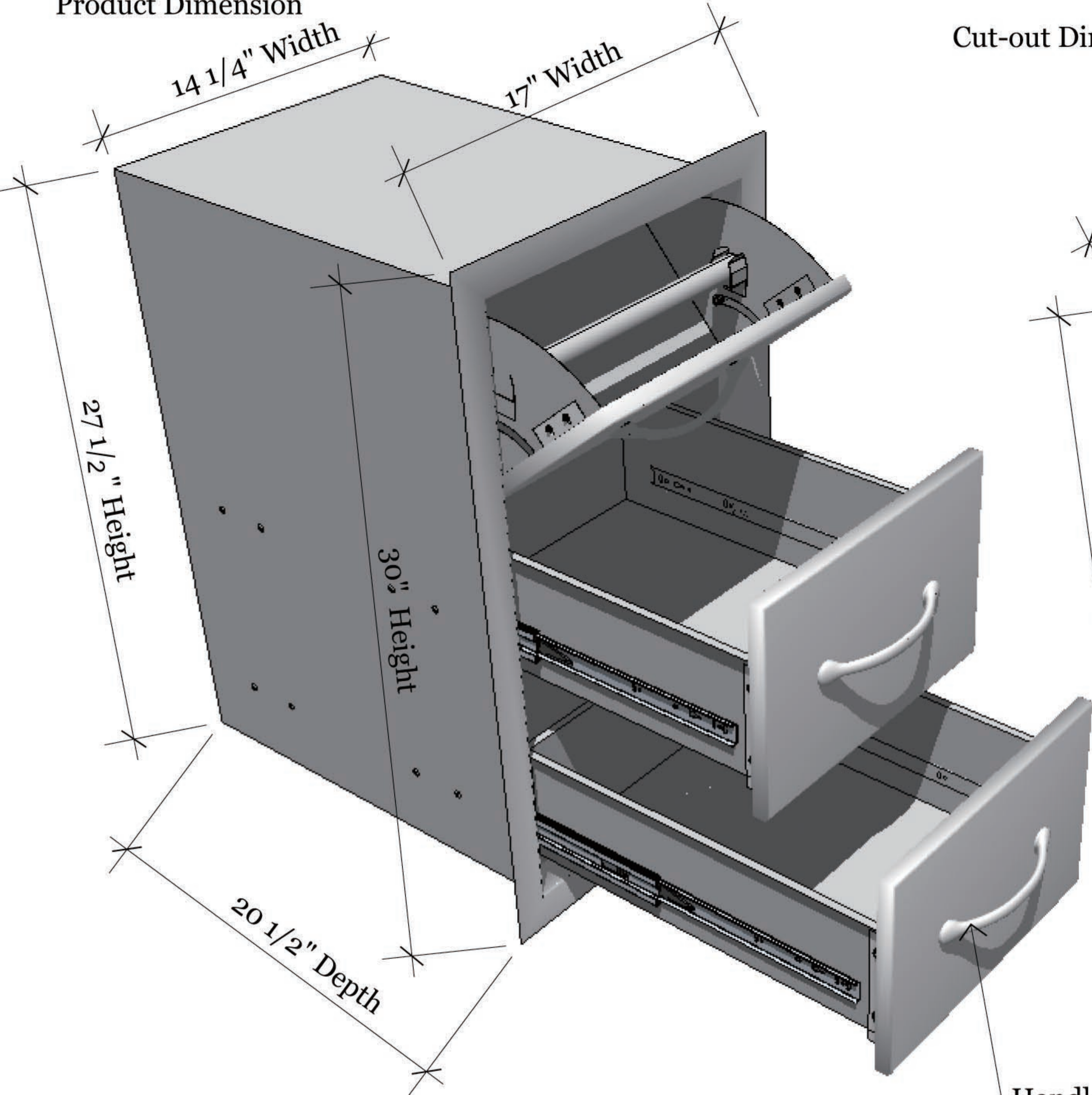
Item No. A-DPCF

**DESCRIPTION**

**Flush Paper Towel & Paper Holder Combo**

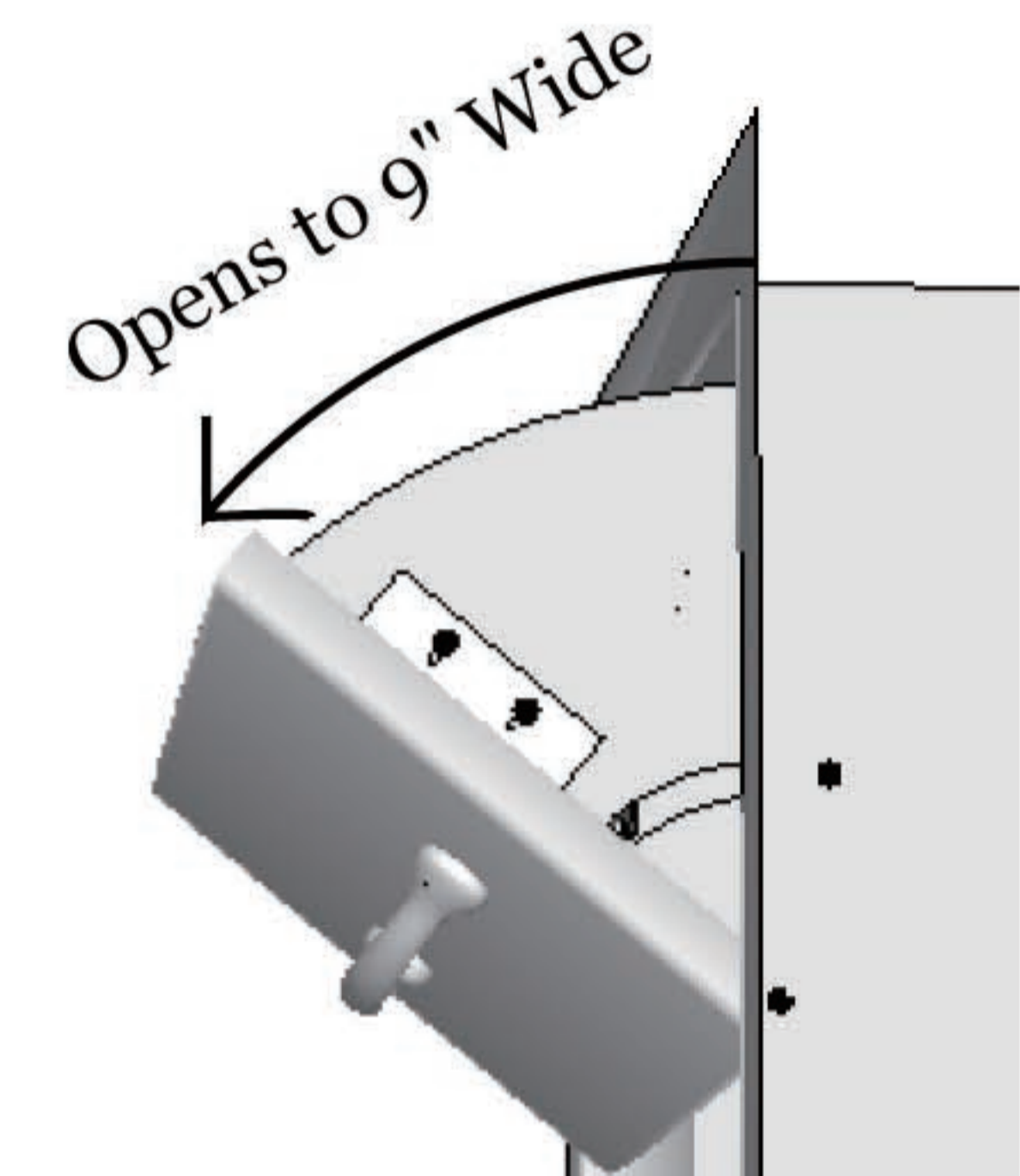
Drawer & Paper Towel Holder Combo  
 17" W x 30"H x 20-1/2"D (Product Size)  
 15-1/2" W x 27-1/2"H (Cut-out)  
 53 LBS (Weight)

**Material Specifications:**  
 16 gauge 304 stainless steel for frame.  
 18 gauge 304 for panel and sector.  
 20 gauge 201 for cabinet.  
 18 gauge galvanized sheet for the box.  
 Handles are made of zinc alloy, chrome plated.

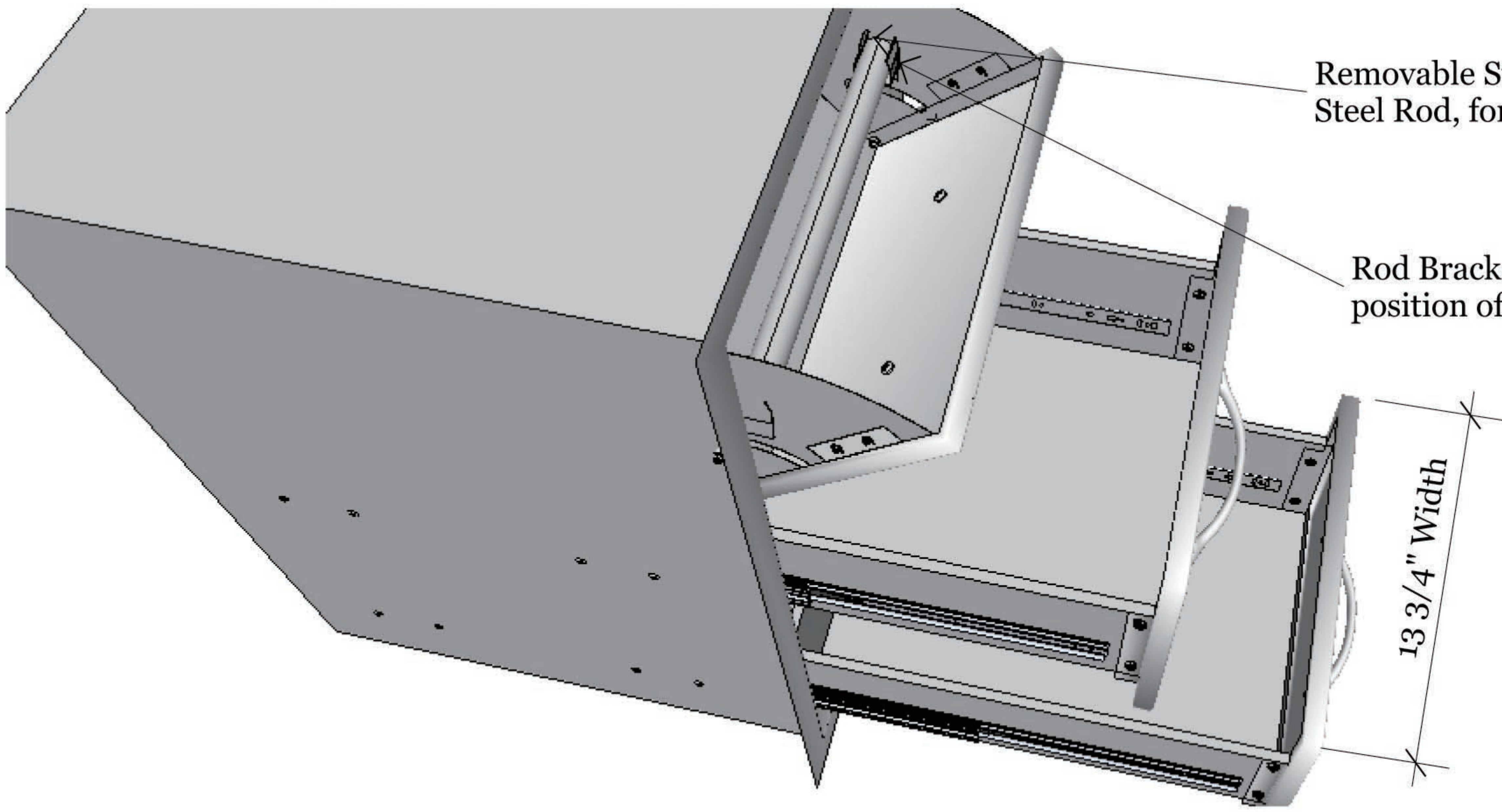


**Drawer Specifications**

Handles are made of Zinc Alloy, Chrome Plated



**Drawer Extension**



Both Main Drawers extend to a Full range of 17 13/16"

