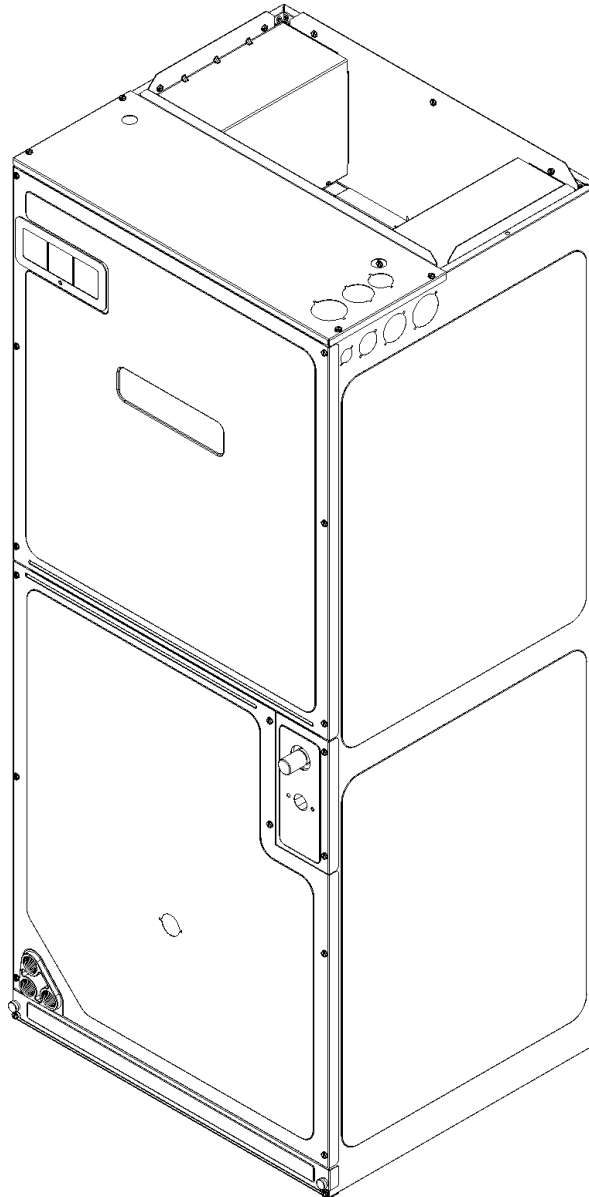


# REPAIR PARTS

---

## ARUF Air Handler

ARUF18B14AA  
ARUF18B14AB  
ARUF24B14AA  
ARUF24B14AB  
ARUF24B14BA  
ARUF24B14BB  
ARUF24B14CA  
ARUF30B14AA  
ARUF30B14AB  
ARUF30B14AC  
ARUF30C14BA  
ARUF30C14BB  
ARUF36C14AA  
ARUF36C14BA  
ARUF36C14BB  
ARUF36C14BC  
ARUF42C14AA  
ARUF42C14AB  
ARUF42C14AC  
ARUF42C14AD  
ARUF48D14AA  
ARUF48D14AB  
ARUF48D14AC  
ARUF60D14AA  
ARUF60D14AB  
ARUF60D14AC



This manual is to be used by qualified technicians only.

This manual replaces RP-702F.

© 2012-2015 Goodman Manufacturing Company, L.P. ♦ 5151 San Felipe St., Suite 500 ♦ Houston, TX 77056

# Important Information

---

## Index

Functional Parts List .....	3
Illustration and Parts .....	4 - 9

*Views shown are for parts illustrations only, not servicing procedures*  
*6.23.15: Change coil assy on ARUF24B14 CA*

### Text Codes:

AR - As Required

NA - Not Available

NS - Not Shown

00000000 - See Note

QTY - Quantity Example (QTY 3) (If Quantity not shown, Quantity = 1)

M - Model Example (M1) (If M Code not shown, then part is used on all Models)

### Expanded Model Nomenclature:

Example M1 - Model#1 M2 - Model#2 M3 - Model#3
---

Goodman Manufacturing Company, L.P. is not responsible for personal injury or property damage resulting from improper service. Review all service information before beginning repairs.

Warranty service must be performed by an authorized technician, using authorized factory parts. If service is required after the warranty expires, Goodman Manufacturing Company, L.P. also recommends contacting an authorized technician and using authorized factory parts.

Goodman Manufacturing Company, L.P. reserves the right to discontinue, or change at any time, specifications or designs without notice or without incurring obligations.

For assistance within the U.S.A. contact:  
Consumer Affairs Department  
Goodman Manufacturing Company, L.P.  
7401 Security Way  
Houston, Texas 77040  
877-254-4729-Telephone  
713-863-2382-Facsimile

For assistance outside the U.S.A. contact:  
International Division  
Goodman Manufacturing Company, L.P.  
7401 Security Way  
Houston, Texas 77040  
713-861-2500-Telephone  
713-863-2382-Facsimile

# Functional Parts

## Part

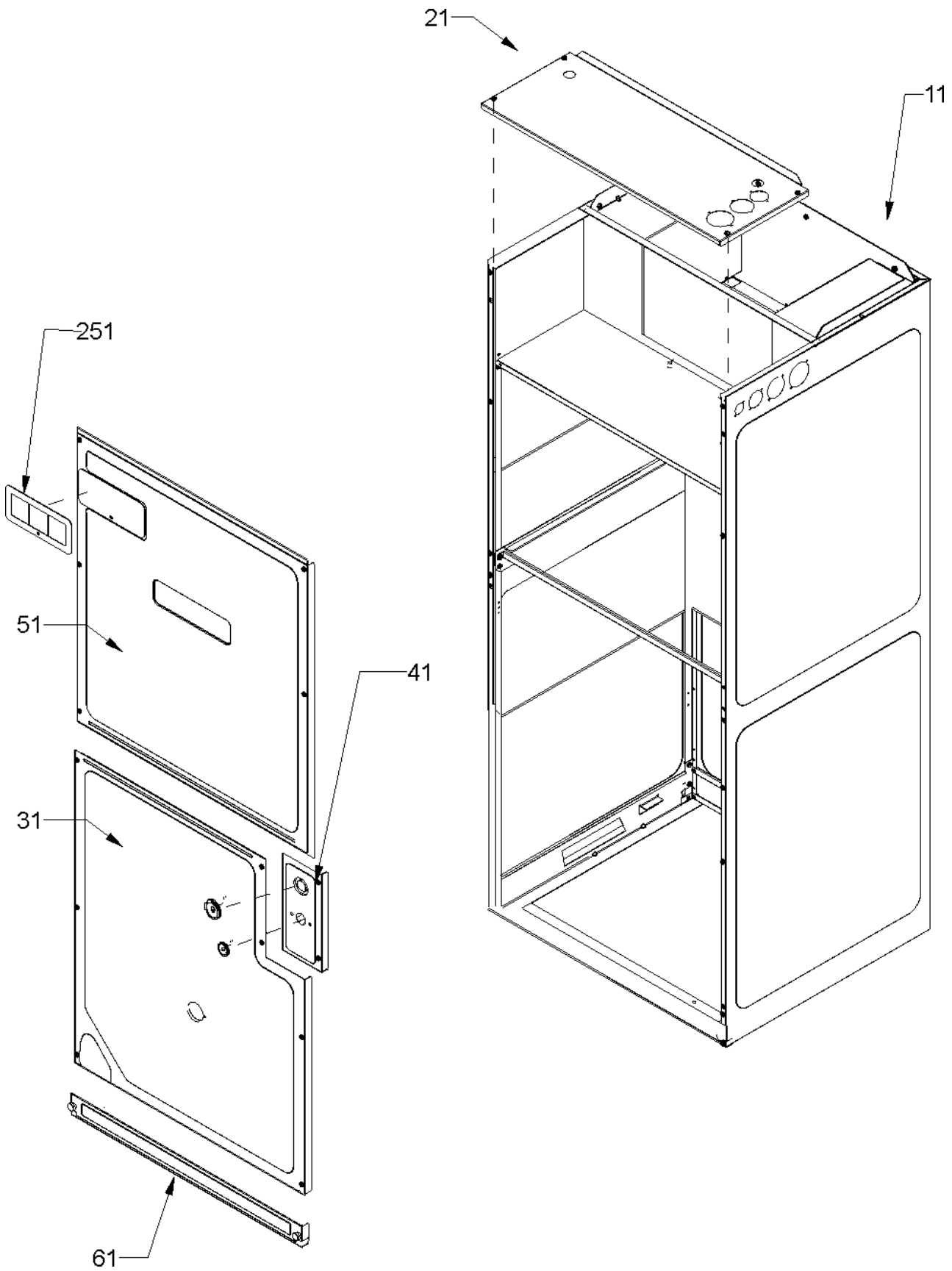
## No: Description:

11091204	BLOWER MOTOR 1/2 HP, 3 SP, 8 PL (M21, M22, M23)
0131M00005P	BLOWER MOTOR 1/3 HP, 3 SP, 6 PL (M1, M2, M3, M4, M5, M6, M7, M8, M9, M10)
11091203	BLOWER MOTOR 1/3 HP, 3 SP, 6 PL (M11, M12, M13, M14, M15, M16, M17, M18, M19, M20)
0131M00297	BLOWER MOTOR, 3/4 HP, 3 SP (M24, M25, M26)
D6723311	BLOWER WHEEL (M24, M25, M26)
D6723306	BLOWER WHEEL (M18, M19, M20, M21, M22, M23)
B1368058	BLOWER WHEEL 10 X 8 (M11, M12, M13, M14, M15, M16, M17)
0150M00000P	BLOWER WHEEL 9 X 6 (M1, M2, M3, M4, M5, M6, M7, M8, M9, M10)
CAP250000370CP	CAP, 25 MFD/370V/ RD (M24, M25, M26)
CAP100000370LA	CAPACITOR 10/370V (M1, M2, M3, M4, M5, M6, M7, M8, M9, M10, M11, M12, M13, M14, M15, M16, M17, M18, M19, M20)
CAP150000370LA	CAPACITOR 15/370V (M21, M22, M23)
PCBFM103	ELECTRONIC BLOWER TIME DELAY
0130M00138	TRANSFORMER 208/230, 24V

### Expanded Model Nomenclature

M1 - ARUF18B14AA
M2 - ARUF18B14AB
M3 - ARUF24B14AA
M4 - ARUF24B14AB
M5 - ARUF24B14BA
M6 - ARUF24B14BB
M7 - ARUF24B14CA
M8 - ARUF30B14AA
M9 - ARUF30B14AB
M10 - ARUF30B14AC
M11 - ARUF30C14BA
M12 - ARUF30C14BB
M13 - ARUF36C14AA
M14 - ARUF36C14BA
M15 - ARUF36C14BB
M16 - ARUF36C14BC
M17 - ARUF42C14AA
M18 - ARUF42C14AB
M19 - ARUF42C14AC
M20 - ARUF42C14AD
M21 - ARUF48D14AA
M22 - ARUF48D14AB
M23 - ARUF48D14AC
M24 - ARUF60D14AA
M25 - ARUF60D14AB
M26 - ARUF60D14AC

# Cabinet Assy



# Cabinet Assy

Ref. Part No:	Description:	Ref. Part No:	Description:
<b>Image 1:</b>		<b>Expanded Model Nomenclature</b>	
11	0270A00655 Wrapper Assy, Unpainted (M1, M2, M3, M4, M5, M6, M7, M8, M9, M10)	M1 - ARUF18B14AA	
11	0270A00689 Wrapper Assy, Unpainted (M11, M12, M13, M14, M15, M16, M17, M18, M19, M20)	M2 - ARUF18B14AB	
11	0270A00690 Wrapper Assy, Unpainted (M21, M22, M23, M24, M25, M26)	M3 - ARUF24B14AA	
21	0121A00252PDG Plate, Upper Tie, Ptd (M1, M2, M3, M4, M5, M6, M7, M8, M9, M10)	M4 - ARUF24B14AB	
21	0121A00253PDG Plate, Upper Tie, Ptd (M11, M12, M13, M14, M15, M16, M17, M18, M19, M20)	M5 - ARUF24B14BA	
21	0121A00254PDG Plate, Upper Tie, Ptd (M21, M22, M23, M24, M25, M26)	M6 - ARUF24B14BB	
31	0121A00655PDG LOWER ACCESS PANEL (M1, M2, M3, M4, M5, M6, M7, M8, M9, M10)	M7 - ARUF24B14CA	
31	0121A00656PDG LOWER ACCESS PANEL (M11, M12, M13, M14, M15, M16, M17, M18, M19, M20)	M8 - ARUF30B14AA	
31	0121A00657PDG LOWER ACCESS PANEL (M21, M22, M23, M24, M25, M26)	M9 - ARUF30B14AB	
41	0121A00660PDG REFRIGERATION TUBING PANEL	M10 - ARUF30B14AC	
51	0121A00609PDG UPPER ACCESS PANEL (M21, M22, M23, M24, M25, M26)	M11 - ARUF30C14BA	
51	0121A00610PDG UPPER ACCESS PANEL (M11, M12, M13, M14, M15, M16, M17, M18, M19, M20)	M12 - ARUF30C14BB	
51	0121A00611PDG UPPER ACCESS PANEL (M1, M2, M3, M4, M5, M6, M7, M8, M9, M10)	M13 - ARUF36C14AA	
61	0121A00242PDG Panel, Filter Access, Ptd (M1, M2, M3, M4, M5, M6, M7, M8, M9, M10)	M14 - ARUF36C14BA	
61	0121A00243PDG Panel, Filter Access, Ptd (M11, M12, M13, M14, M15, M16, M17, M18, M19, M20)	M15 - ARUF36C14BB	
61	0121A00244PDG Panel, Filter Access, Ptd (M21, M22, M23, M24, M25, M26)	M16 - ARUF36C14BC	
251	0161A00034 PLASTIC BREAKER INSERT	M17 - ARUF42C14AA	
NS	BT1369063 90 DEGREE STUB	M18 - ARUF42C14AB	
NS	B1392630 GROMMET (M1, M3, M4, M5, M6, M8, M9, M11, M12, M13, M14, M15, M16, M17, M18, M19, M20, M21, M22, M23, M24, M25, M26)	M19 - ARUF42C14AC	
NS	0163A00026 THUMB SCREW (QTY 2)	M20 - ARUF42C14AD	
		M21 - ARUF48D14AA	
		M22 - ARUF48D14AB	
		M23 - ARUF48D14AC	
		M24 - ARUF60D14AA	
		M25 - ARUF60D14AB	
		M26 - ARUF60D14AC	

# Control Panel / Coil Assy

IMAGE 1

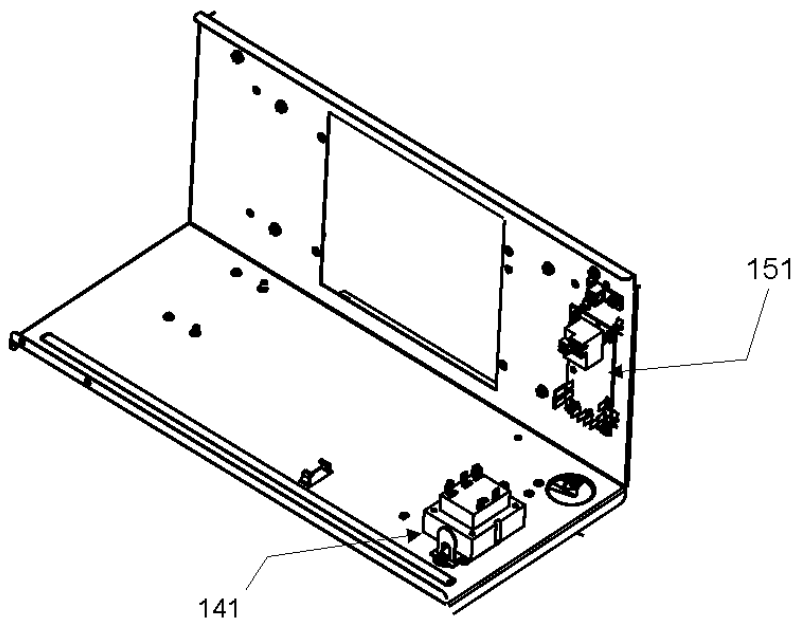
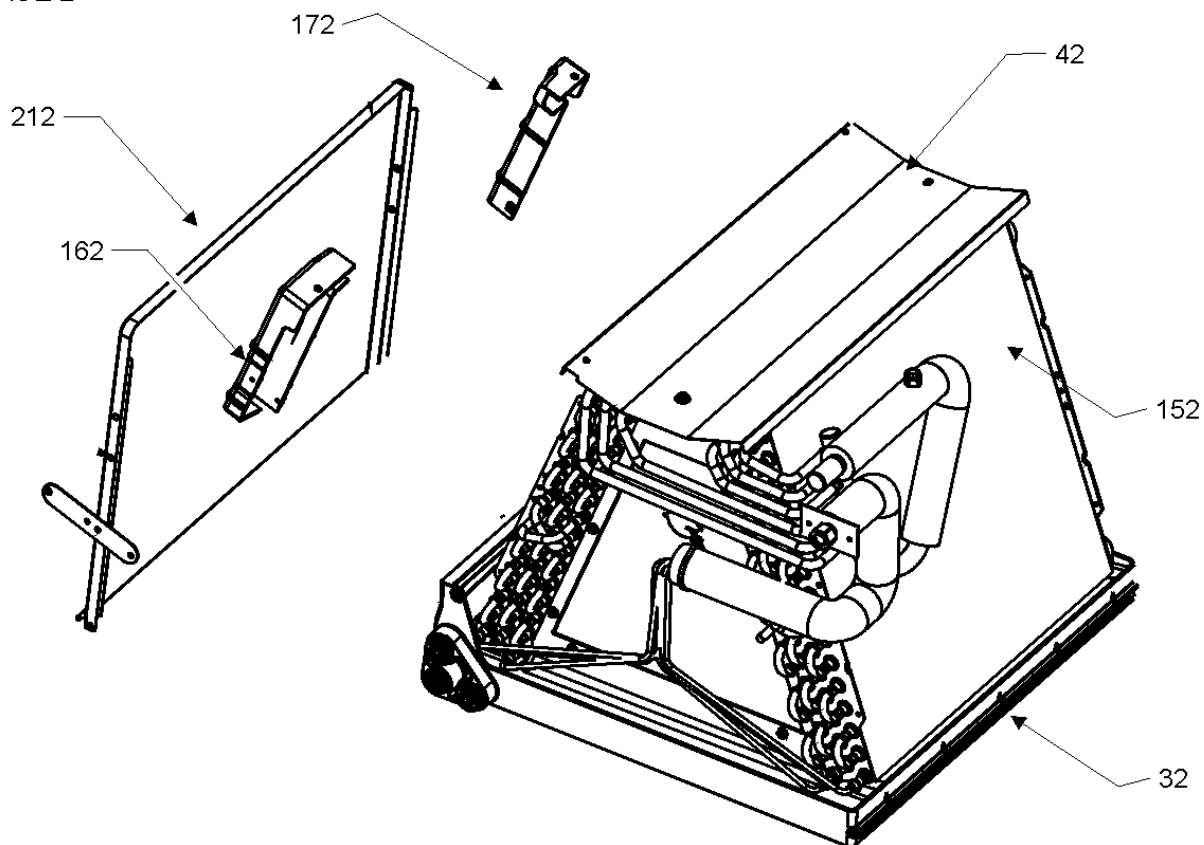


IMAGE 2



# Control Panel / Coil Assy

Ref. Part No: No:	Description:	Ref. Part No: No:	Description:
<b>Image 1:</b>		<b>Expanded Model Nomenclature</b>	
141	0130M00138 TRANSFORMER 208/230, 24V	M1	- ARUF18B14AA
151	PCBFM103 ELECTRONIC BLOWER TIME DELAY	M2	- ARUF18B14AB
NS	0259A00012P WIRE ASSY, 9 PIN FEMALE CONN.	M3	- ARUF24B14AA
NS	0259A00013P WIRE ASSY, 9 PIN MALE CONN.	M4	- ARUF24B14AB
<b>Image 2:</b>		M5	- ARUF24B14BA
32	0161A00026 DRAIN PAN (M1, M2, M3, M4, M5, M6, M7, M8, M9, M10)	M6	- ARUF24B14BB
32	0161A00027 DRAIN PAN (M11, M12, M13, M14, M15, M16, M17, M18, M19, M20)	M7	- ARUF24B14CA
32	0161A00028 DRAIN PAN (M21, M22, M23, M24, M25, M26)	M8	- ARUF30B14AA
42	0121A00318 Top Plate (M1, M2, M3, M4)	M9	- ARUF30B14AB
42	0121A00319 Top Plate (M13)	M10	- ARUF30B14AC
42	0121A00320 Top Plate (M6, M7, M11, M12, M14, M15, M16, M19, M20)	M11	- ARUF30C14BA
42	0121A00321 Top Plate (M22, M23, M25, M26)	M12	- ARUF30C14BB
42	0121A00637 Top Plate (M5, M9)	M13	- ARUF36C14AA
152	0270A00667 COIL TUBING ASSY (M21)	M14	- ARUF36C14BA
152	0270A00668 COIL TUBING ASSY (M17, M18)	M15	- ARUF36C14BB
152	0270A00669 COIL TUBING ASSY (M13)	M16	- ARUF36C14BC
152	0270A00670 COIL TUBING ASSY (M1)	M17	- ARUF42C14AA
152	0270A00671 COIL TUBING ASSY (M8)	M18	- ARUF42C14AB
152	0270A00683 COIL TUBING ASSY (M3)	M19	- ARUF42C14AC
152	0270A00684 COIL TUBING ASSY (M24)	M20	- ARUF42C14AD
152	0270A00696 COIL TUBING ASSY (M4)	M21	- ARUF48D14AA
152	0270A00700 COIL TUBING ASSY (M9)	M22	- ARUF48D14AB
152	0270A00701 COIL TUBING ASSY (M15)	M23	- ARUF48D14AC
152	0270A00703 COIL TUBING ASSY (M19)	M24	- ARUF60D14AA
152	0270A00706 COIL TUBING ASSY (M22)	M25	- ARUF60D14AB
152	0270A00707 COIL TUBING ASSY (M25)	M26	- ARUF60D14AC
152	0270A00710 COIL TUBING ASSY (M5)		
152	0270A00712 COIL TUBING ASSY (M14)		
152	0270A00742 COIL TUBING ASSY (M11)		
152	0270A00768 COIL TUBING ASSY (M6)		
152	0270A00794 COIL TUBING ASSY (M2)		
152	0270A00796 COIL TUBING ASSY (M10)		
152	0270A00797 COIL TUBING ASSY (M16)		
152	0270A00798 COIL TUBING ASSY (M20)		
152	0270A00799 COIL TUBING ASSY (M23)		
152	0270A00800 COIL TUBING ASSY (M26)		
152	0270A00809 COIL TUBING ASSY (M12)		
152	0270A00810 COIL TUBING ASSY (M7)		
162	0161A00024 Plastic Condensate Collector (M1, M3, M4, M8, M13, M14, M17, M18, M21, M24)		
172	0161A00025 Plastic Condensate Collector (M1, M3, M4, M8, M13, M14, M17, M18, M21, M24)		
212	0121A00304PDG Drip Shield, Ptd (M1, M2, M3, M4, M5, M6, M7, M8, M9, M10)		
212	0121A00305PDG Drip Shield, Ptd (M11, M12, M13, M14, M15, M16, M17, M18, M19, M20)		
212	0121A00306PDG Drip Shield, Ptd (M21, M22, M23, M24, M25, M26)		
NS	0163M00175 CAP WITH O-RING		
NS	0154A00003BL Gasket, Drain Pan		
NS	B1787000 VALVE CORE		

# Blower Components

Image 1

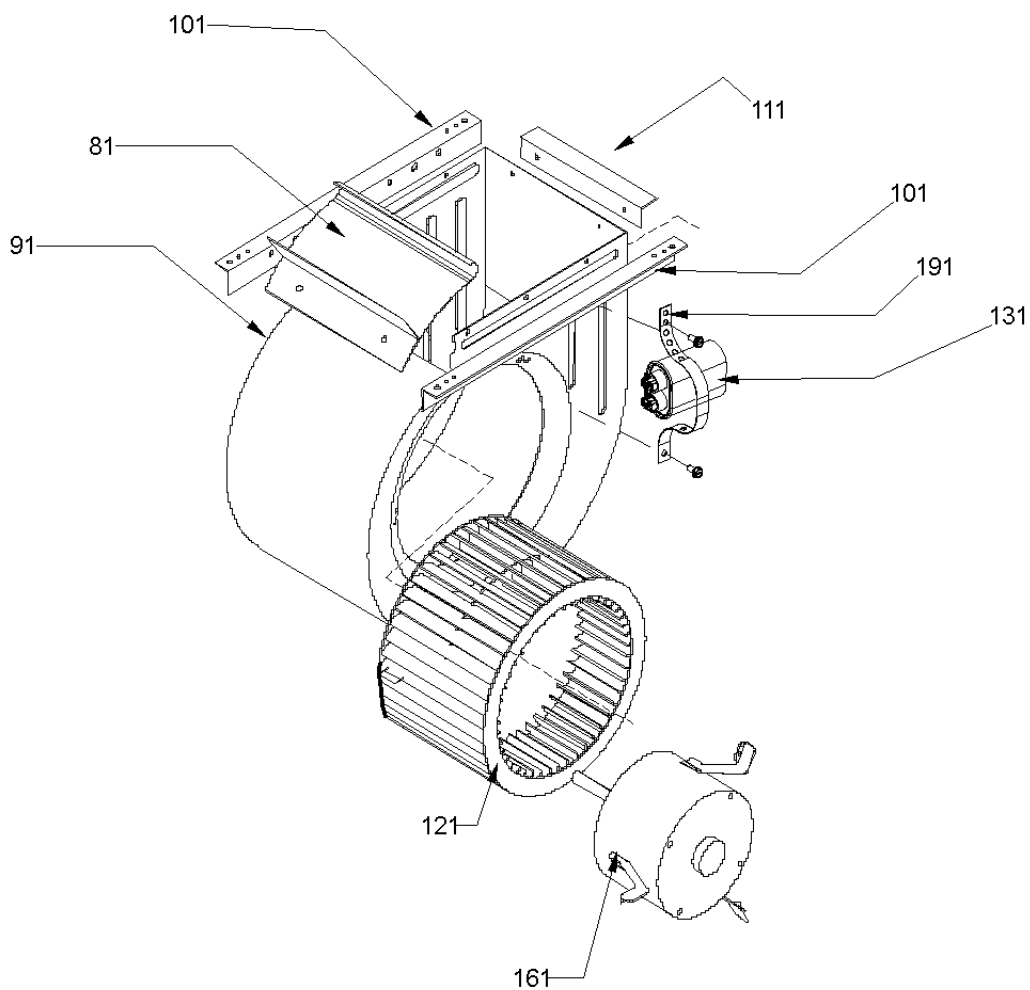
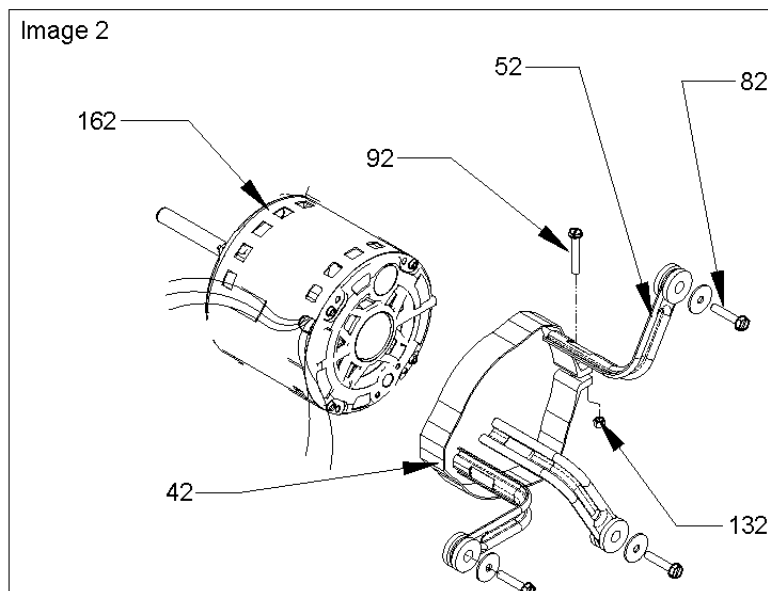


Image 2





# Blower Components

Ref. Part No: No:	Description:	Ref. Part No: No:	Description:
<b>Image 1:</b>		<b>Expanded Model Nomenclature</b>	
81	764741	BLOWER BLOCK-OFF 10 X 10 (M18, M19, M20, M21, M22, M23)	M1 - ARUF18B14AA
81	764740	BLOWER BLOCK-OFF 10 X 8 (M11, M12, M13, M14, M15, M16, M17)	M2 - ARUF18B14AB
81	1864700	BLOWER CUT-OFF 10 X 10 (M24, M25, M26)	M3 - ARUF24B14AA
81	764733	BLOWER CUT-OFF 9 X 6 (M1, M2, M3, M4, M5, M6, M7, M8, M9, M10)	M4 - ARUF24B14AB
91	0271A00016	BLOWER HOUSING ASSY 10 X 10 (M18, M19, M20, M21, M22, M23)	M5 - ARUF24B14BA
91	0271A00029	BLOWER HOUSING ASSY 10 X 8 (M11, M12, M13, M14, M15, M16, M17)	M6 - ARUF24B14BB
91	0271A00013	BLOWER HOUSING ASSY 11 X 10 (M24, M25, M26)	M7 - ARUF24B14CA
91	1439389	BLOWER HOUSING ASSY 9 X 6 (M1, M2, M3, M4, M5, M6, M7, M8, M9, M10)	M8 - ARUF30B14AA
101	0121A00275	Rail, Blower (M24, M25, M26)	M9 - ARUF30B14AB
101	0121A00336	Rail, Blower (M1, M2, M3, M4, M5, M6, M7, M8, M9, M10)	M10 - ARUF30B14AC
111	0121A00337	Angle, Blower Mounting (M1, M2, M3, M4, M5, M6, M7, M8, M9, M10)	M11 - ARUF30C14BA
111	0121A00353	Angle, Blower Mounting (M24, M25, M26)	M12 - ARUF30C14BB
121	D6723306	BLOWER WHEEL (M18, M19, M20, M21, M22, M23)	M13 - ARUF36C14AA
121	D6723311	BLOWER WHEEL (M24, M25, M26)	M14 - ARUF36C14BA
121	B1368058	BLOWER WHEEL 10 X 8 (M11, M12, M13, M14, M15, M16, M17)	M15 - ARUF36C14BB
121	0150M00000P	BLOWER WHEEL 9 X 6 (M1, M2, M3, M4, M5, M6, M7, M8, M9, M10)	M16 - ARUF36C14BC
131	CAP250000370CP	CAP, 25 MFD/370V/ RD (M24, M25, M26)	M17 - ARUF42C14AA
131	CAP100000370LA	CAPACITOR 10/370V (M1, M2, M3, M4, M5, M6, M7, M8, M9, M10, M11, M12, M13, M14, M15, M16, M17, M18, M19, M20)	M18 - ARUF42C14AB
131	CAP150000370LA	CAPACITOR 15/370V (M21, M22, M23)	M19 - ARUF42C14AC
161	0131M00005P	BLOWER MOTOR 1/3 HP, 3 SP, 6 PL (M1, M2, M3, M4, M5, M6, M7, M8, M9, M10)	M20 - ARUF42C14AD
161	11091203	BLOWER MOTOR 1/3 HP, 3 SP, 6 PL (M11, M12, M13, M14, M15, M16, M17, M18, M19, M20)	M21 - ARUF48D14AA
191	1284835	CAPACITOR STRAP	M22 - ARUF48D14AB
<b>Image 2:</b>			
42	0121M00039	MOTOR MOUNT BAND (HEAVY DUTY) (M21, M22, M23, M24, M25, M26)	M23 - ARUF48D14AC
52	B1376863	MOTOR MOUNT ARM (HEAVY DUTY) (M21, M22, M23, M24, M25, M26)	M24 - ARUF60D14AA
82	B1393309	MACHINE SCREW, 1/4-20 TPI X 3/4" LG (M1, M2, M3, M4, M5, M6, M7, M8, M9, M10)	M25 - ARUF60D14AB
82	M0250558	TC SCREW (M11, M12, M13, M14, M15, M16, M17, M18, M19, M20)	M26 - ARUF60D14AC
82	M0250565	TC SCREW 1.25" (M21, M22, M23, M24, M25, M26)	
92	B1393323	MACHINE SCREW HWH 1/4-20 X 1-1/2 BZ (M21, M22, M23, M24, M25, M26)	
132	B1393800	LOCKNUT, NYLON, INSERT 1/4, 20 (M21, M22, M23, M24, M25, M26)	
162	11091204	BLOWER MOTOR 1/2 HP, 3 SP, 8 PL (M21, M22, M23)	
162	0131M00297	BLOWER MOTOR, 3/4 HP, 3 SP (M24, M25, M26)	