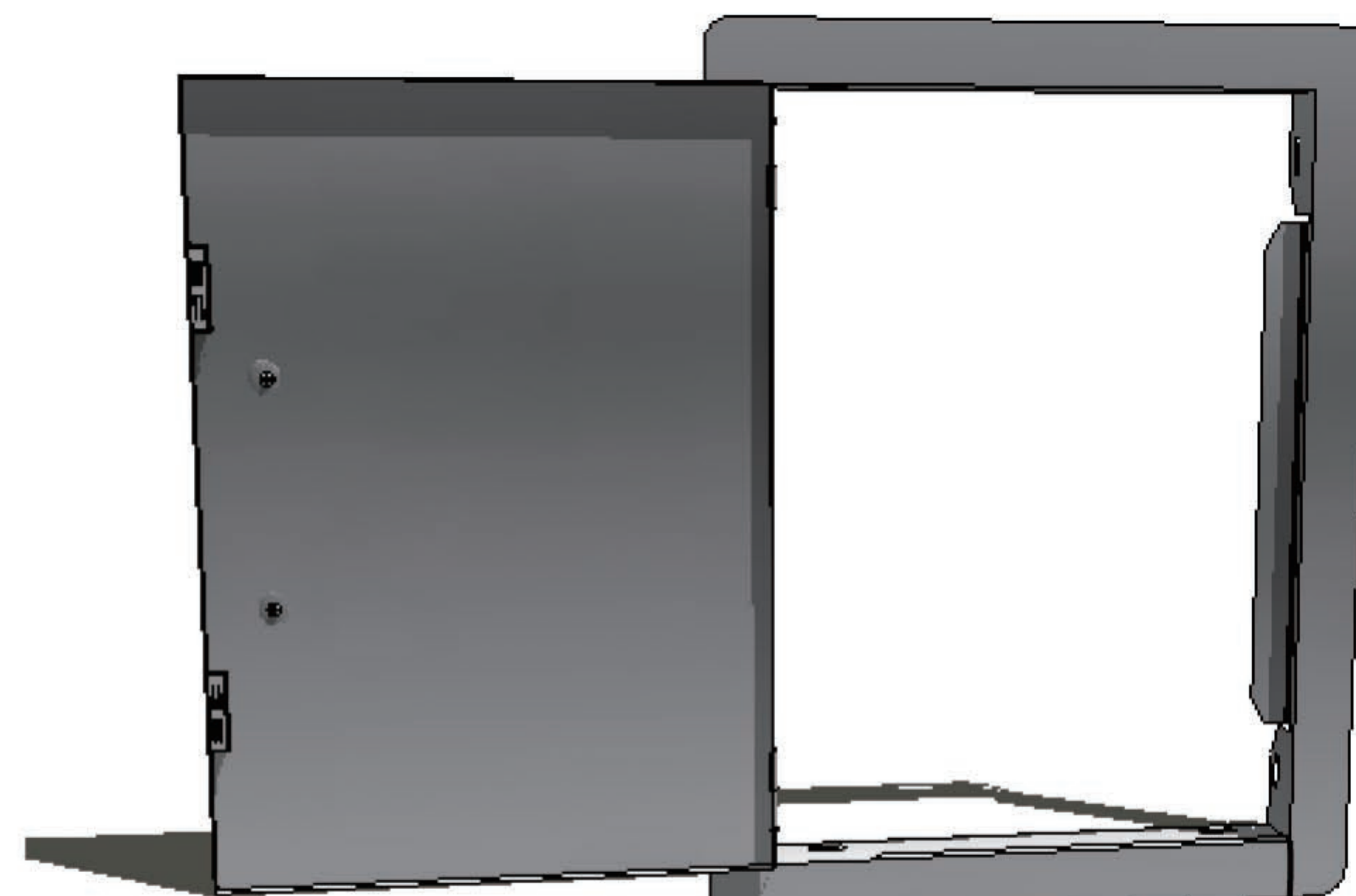




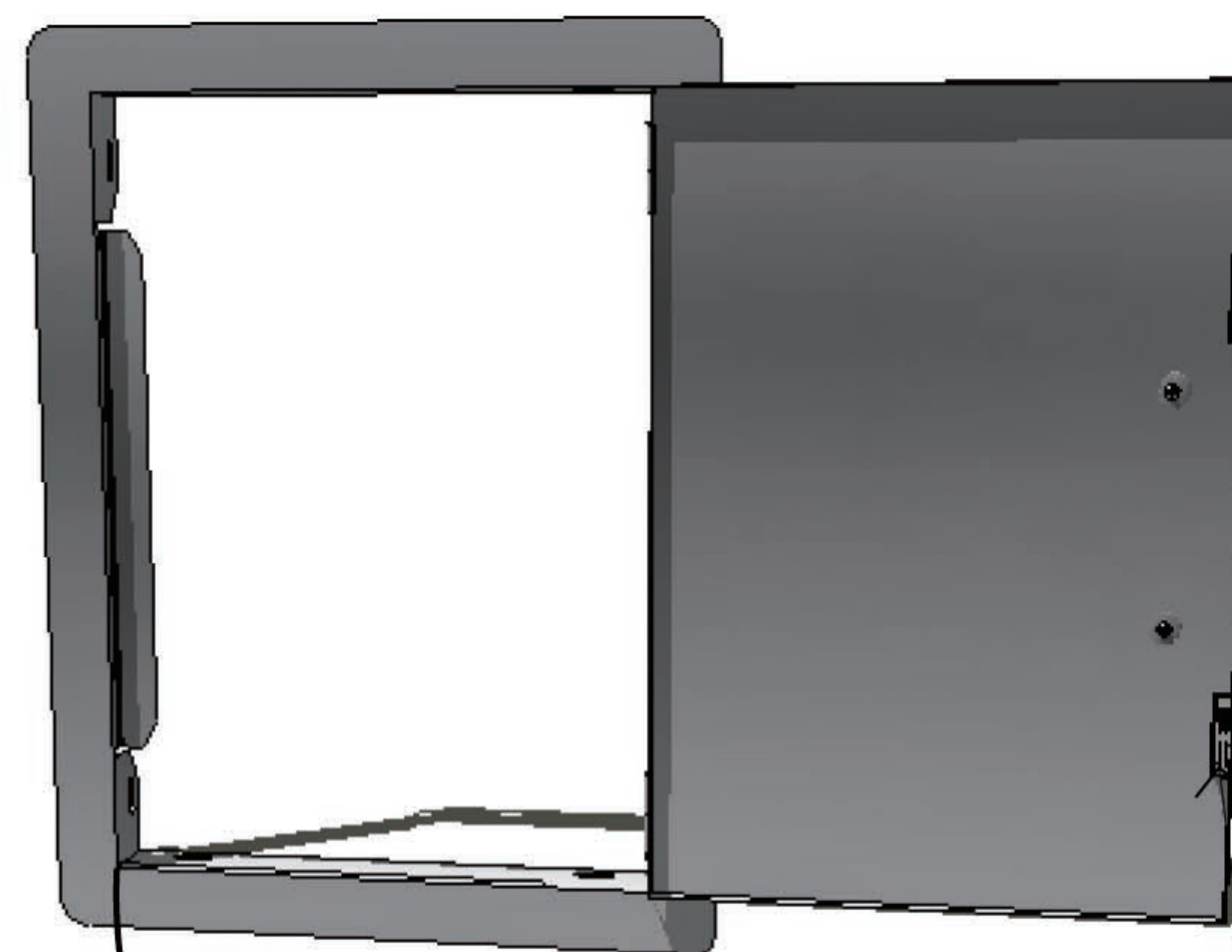
Sturdy handle made of Zinc Alloy, Chrome Plated

Open Door Left



Open 180 Degree

Open Door Right



Open 180 Degree

Sunstone Metal Products  
 16004 Central Commerce Dr  
 Pflugerville TX 78660  
 Tel: 888.934.9449  
 Bus: 512.487.5116  
 Fax: 512.487.7016

**PRODUCT**  
 24" x 17" Verticle Door  
 Item No. DV1724

**DESCRIPTION**  
 24" x 17" Vertical Single Door  
 This model can Be installed  
 eighter Left or Right Swing

24" x 17" Verticle Door  
 20"W x 27"H x 1 5/8" D(Product Size )  
 17 1/4"W x 24 1/4"H (Cut-out )  
 11.5 LBS ( Weight )

**Material Specifications:**  
 16 Gauge 304 Stainless Steel,  
 Handles are made of Zinc Alloy,  
 Chrome Plated.

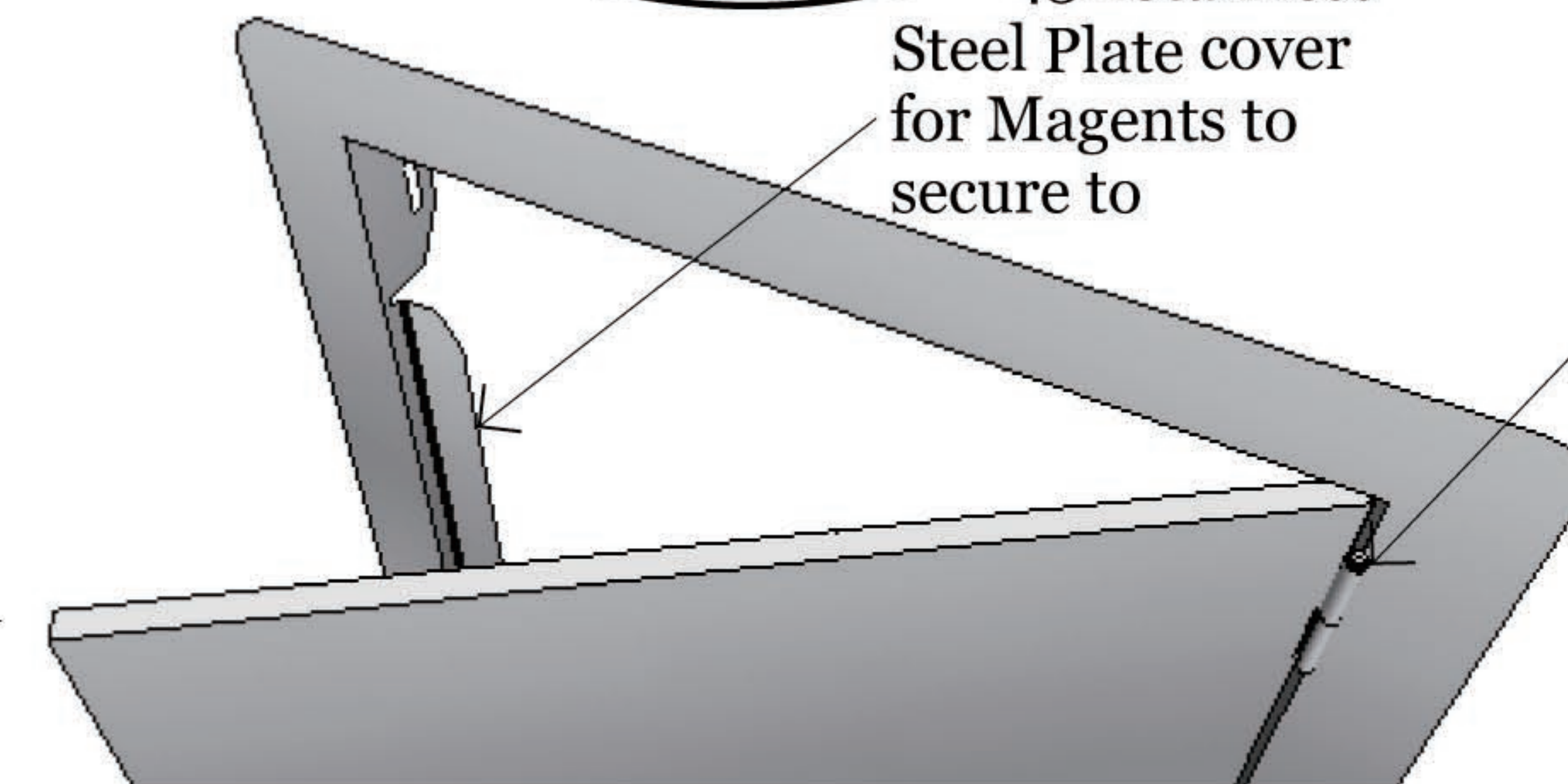
Top and Bottom Magnets to  
 secure the door close, for  
 Left or Right Positions

430 Stainless  
 Steel Plate cover  
 for Magents to  
 secure to

Reversable Hinge  
 so Door stays Secure  
 for Opening Left  
 or Right

Product Dimension

20" Width



Flange  
 Dimension

1 5/8" Depth

Cut-out Dimension

17 1/4" Width

27" Height

24 1/4" Height

Top, Bottom and Side Mounting Holes

