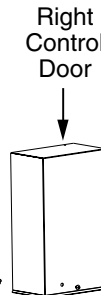
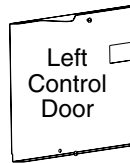
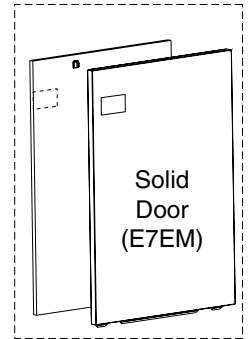
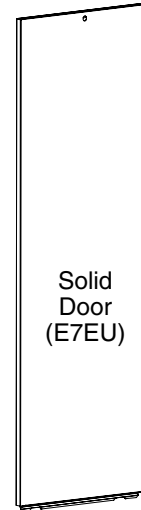
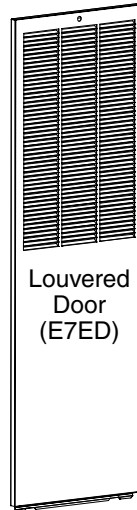
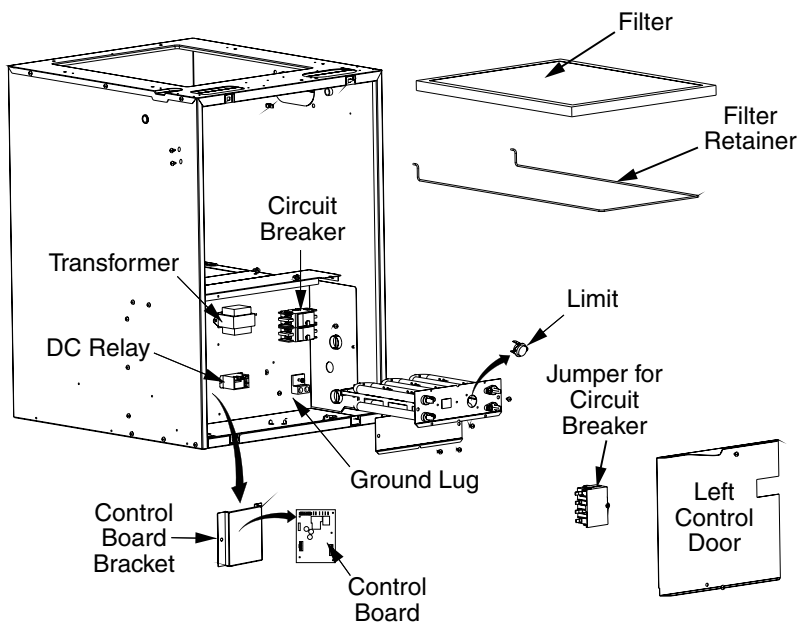
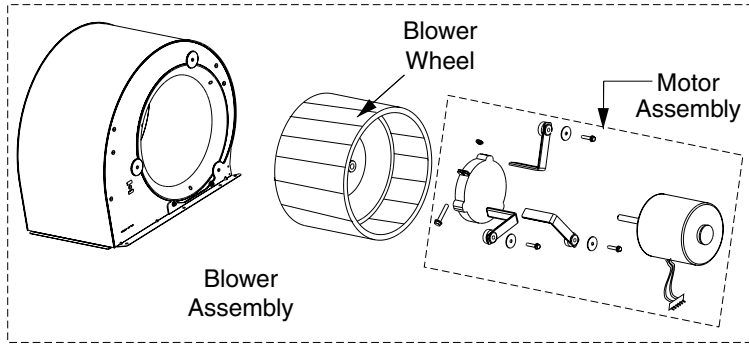


REPLACEMENT PARTS LIST

**E7 SERIES ELECTRIC FURNACE
 MODELS -010, -012, -015, -017, -020, -023**



E7 ELECTRIC FURNACE REPLACEMENTS PARTS LIST

| DESCRIPTION | MODEL KW | | | | | |
|--|------------|------------|------------|------------|------------|------------|
| | -010 | -012 | -015 | -017 | -020 | -023 |
| Blower Motor (1/2 hp, PWM) | 622686R | 622686R | 622686R | 622686R | 622686R | 622686R |
| Blower Wheel (10 x 8) | 667037R | 667037R | 667037R | 667037R | 667037R | 667037R |
| Circuit Breaker (60A, 2 Pole) | 632249R | 632249R | 632249R | 632249R | 632249R | 632249R |
| Control Board | 1006801R | 1006801R | 1006801R | 1006801R | 1006801R | 1006801R |
| Control Board Bracket | 280671R | 280671R | 280671R | 280671R | 280671R | 280671R |
| Control Door (left - 10kW) | D00721R | - | - | - | - | - |
| Control Door (left - 12-23kW) | - | D00722R | D00722R | D00722R | D00722R | D00722R |
| Control Door (right) | D00740R | D00740R | D00740R | D00740R | D00740R | D00740R |
| DC Relay | 1025375R | 1025375R | 1025375R | 1025375R | 1025375R | 1025375R |
| Door (Louvered - E7ED Models) | 101480702R | 101480702R | 101480702R | 101480702R | 101480702R | 101480702R |
| Door (Solid - E7EM Models) | 917260 | 917260 | 917260 | 917260 | 917260 | 917260 |
| Door (Solid - E7EU Models) | 101480701R | 101480701R | 101480701R | 101480701R | 101480701R | 101480701R |
| Element Assembly (5.0kW @ 240V) | - | - | 902818* | - | - | - |
| Element Assembly (5.4kW @ 240V) | - | - | - | 902820* | - | - |
| Element Assembly (10.0 kW @ 240V) | 902821# | - | 902821# | - | 902821† | 902821† |
| Element Assembly (10.8kW @ 240V) | - | - | - | 902823# | - | - |
| Element Assembly (11.6kW @ 240V) | - | 902824# | - | - | - | 902824# |
| Filter (20" X 18") | 668860R | 668860R | 668860R | 668860R | 668860R | 668860R |
| Filter (Front, 18" x 30") | 1007623R | 1007623R | 1007623R | 1007623R | 1007623R | 1007623R |
| Fuse (3 Amp - Not Shown) | 632261R | 632261R | 632261R | 632261R | 632261R | 632261R |
| Ground Lug | 632235R | 632235R | 632235R | 632235R | 632235R | 632235R |
| Hole Plug (1/2") | 632307R | 632307R | 632307R | 632307R | 632307R | 632307R |
| Hole Plug (3/4") | 632308R | 632308R | 632308R | 632308R | 632308R | 632308R |
| Limit (1 pole) | - | - | 626459R | 626459R | - | - |
| Limit (2 pole) | 626458R | 626458R | 626458R | 626458R | 626458R | 626458R |
| Single Circuit Adaptor Kit (Standard on -012 model) (Optional on -015-023 models)" | - | 913874 | - | - | - | - |
| Transformer (40 VA) | 622762R | 622762R | 622762R | 622762R | 622762R | 622762R |

Please specify the correct Model No., Serial No. and part number(s) when ordering parts from the nearest authorized dealer or service center.

* = Bottom element in downflow position unit in the picture.

= Top element in downflow position unit in the picture.

† = Uses quantity of two.

