



# ERV 60 S

## PRODUCT SPECIFICATIONS

## TECHNICAL DATA

## HEAT RECOVERY VENTILATOR



### DESCRIPTION

Energy Recovery Ventilators are the complete whole house ventilation system designed to bring a continuous supply of fresh air into the house while exhausting an equal amount of stale air.

### CASING

Steel casing is covered with high-quality multilayer aluminium and zinc alloy to prevent corrosion. The casing is equipped with a switch to turn the ventilator off when the service panel is opened.

### FILTER

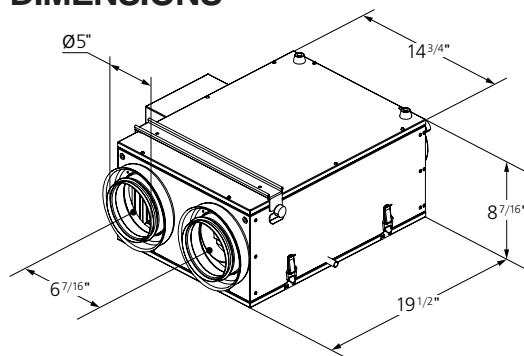
Washable MERV 6 air filters in exhaust and supply air streams.

Optional supply: anti grease aluminum filter.

Heat recovery core

The enthalpic core provides both heat&energy recovery.

### DIMENSIONS



Tel: 888-640-0925  
513-348-3853  
Fax: 513-268-4597

Sales@ventsus.com  
VentsUS.com  
11013 Kenwood Road, Cincinnati,  
Ohio 45242

### DEFROST SYSTEM

To protect the heat recovery core, the freezing electronic protection system is applied. It switches the supply fan off as the temperature sensor requires. Warm extract air defrosts the heat recovery core, then the supply fan switches on and the ventilator continues operating under rated conditions.

### MOTOR

German made high-efficient motor combined with backward inclined impeller delivers exceptionally powerful airflow and high static pressure. Built-in thermal overheating protection with automatic restart makes the motor operation secure and reliable. Permanently lubricated ball bearings inside the motor provide long (40000 hours) trouble- and maintenance-free operation.

### FANS

The ventilator is equipped with supply and exhaust centrifugal fans with forward inclined blades and built-in thermal overheating protection with automatic restart.

The electric motors and the impellers are dynamically balanced in two planes.

### CONTROL

The ventilator is supplied with a thyristor speed control.

The unit can be equipped with wide range of additional controls (page 24) to switch boost on demand.

### WARRANTY

5 year warranty



2016-10



# ERV 60 S

**PRODUCT  
SPECIFICATIONS**

**TECHNICAL  
DATA**

**HEAT RECOVERY VENTILATOR**

## PERFORMANCE

Model	Volts	Max. Watts	Max. Amps	RPM	Airflow CFM (L/s)					Duct Dia.
					0,1" (25Pa)	0,2" (50Pa)	0,3" (75Pa)	0,4" (100Pa)	0,5" (125Pa)	
ERV 60S	120V, 60Hz	41	0.58		39 (18)	35 (17)	29 (14)	21 (10)	12 (6)	5"

Model	Sensible efficiency(%) at		
	23 cfm	29 cfm	41 cfm
ERV 60S	79	75	70

MODEL	QUANTITY	COMMENTS	PROJECT
			location:
			architect:
			engineer:
			contractor:
			submitted by:

Tel: 888-640-0925  
513-348-3853  
Fax: 513-268-4597

Sales@ventsus.com  
VentsUS.com  
11013 Kenwood Road, Cincinnati,  
Ohio 45242



2016-10