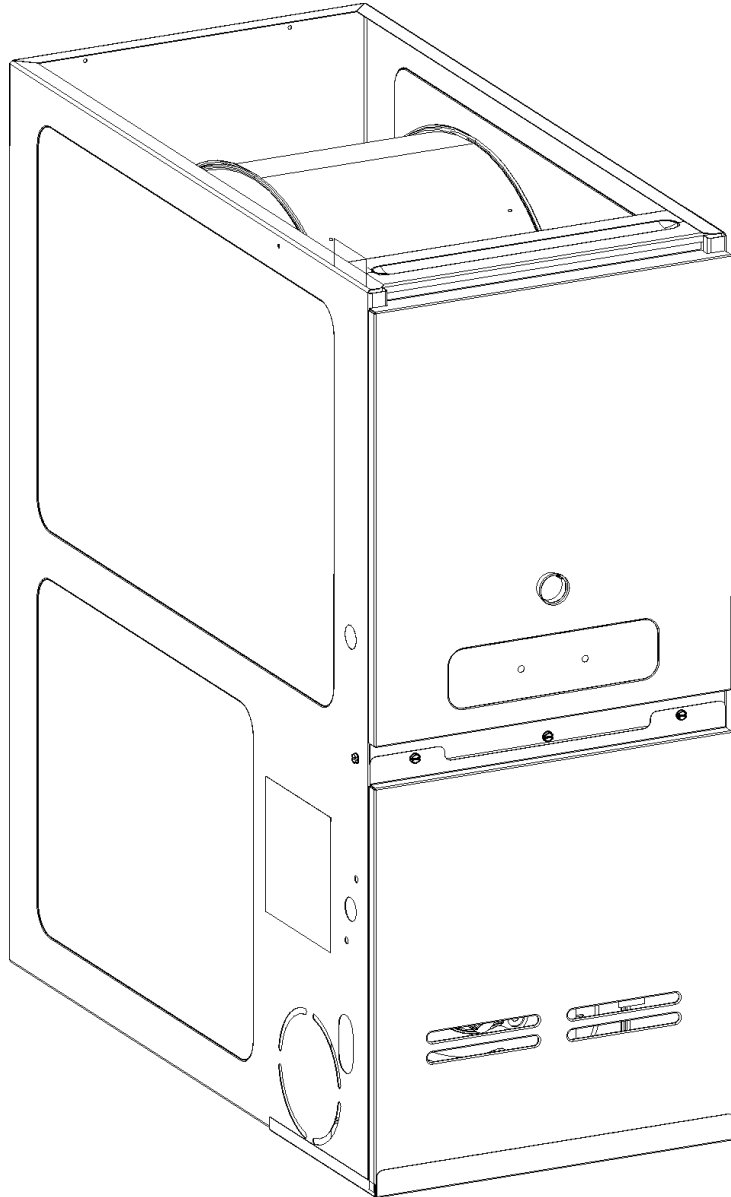


**GDS8 80% Furnace**

GDS80403ANAA  
GDS80403ANBA  
GDS80403ANBB  
GDS80403AXAA  
GDS80403AXBA  
GDS80403AXBB  
GDS80603ANAA  
GDS80603ANBA  
GDS80603ANBB  
GDS80603AXAA  
GDS80603AXBA  
GDS80603AXBB  
GDS80804BNAA  
GDS80804BNBA  
GDS80804BNBB  
GDS80804BXAA  
GDS80804BXBA  
GDS80804BXBB  
GDS81005CNAA  
GDS81005CNBA  
GDS81005CNBB  
GDS81005CXAA  
GDS81005CXBA  
GDS81005CXBB



This manual is to be used by qualified technicians only.

This manual replaces RP-687A.

© 2012-2013 Goodman Manufacturing Company, L.P. ♦ 5151 San Felipe St., Suite 500 ♦ Houston, TX 77056

# Important Information

---

## Index

|                              |       |
|------------------------------|-------|
| Functional Parts List .....  | 3     |
| Illustration and Parts ..... | 4 - 9 |

*Views shown are for parts illustrations only, not servicing procedures*

Rev B: Added vent motor capacitor service part.

1-9-14 Corrections: Added vent motor

### Text Codes:

AR - As Required

NA - Not Available

NS - Not Shown

00000000 - See Note

QTY - Quantity Example (QTY 3) (If Quantity not shown, Quantity = 1)

M - Model Example (M1) (If M Code not shown, then part is used on all Models)

### Expanded Model Nomenclature:

|   |
|---|
| Example<br>M1 - Model#1<br>M2 - Model#2<br>M3 - Model#3 |
|---|

Goodman Manufacturing Company, L.P. is not responsible for personal injury or property damage resulting from improper service. Review all service information before beginning repairs.

Warranty service must be performed by an authorized technician, using authorized factory parts. If service is required after the warranty expires, Goodman Manufacturing Company, L.P. also recommends contacting an authorized technician and using authorized factory parts.

Goodman Manufacturing Company, L.P. reserves the right to discontinue, or change at any time, specifications or designs without notice or without incurring obligations.

For assistance within the U.S.A. contact:  
Consumer Affairs Department  
Goodman Manufacturing Company, L.P.  
7401 Security Way  
Houston, Texas 77040  
877-254-4729-Telephone  
713-863-2382-Facsimile

For assistance outside the U.S.A. contact:  
International Division  
Goodman Manufacturing Company, L.P.  
7401 Security Way  
Houston, Texas 77040  
713-861-2500-Telephone  
713-863-2382-Facsimile

# Functional Parts

## Part

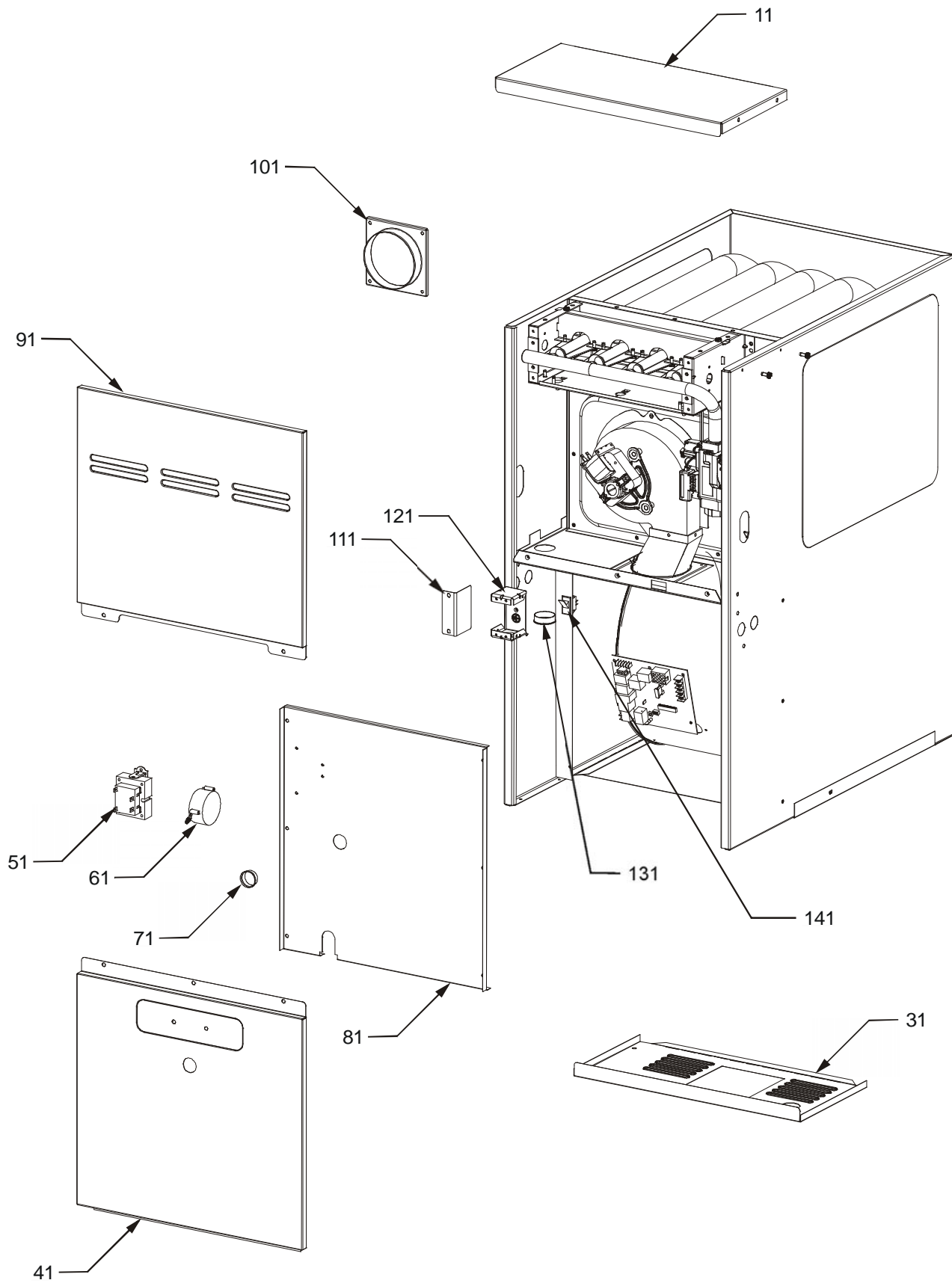
## No: Description:

| Part No:        | Description:  | Expanded Model Nomenclature |
|-----------------|---|-----------------------------|
| 0131F00022      | BLOWER MOTOR 1/2 HP, 4 SP, 6 PL (M13, M14, M15, M16, M17, M18)                                    | M1 - GDS80403ANAA           |
| 20046618        | BLOWER MOTOR 3/4 HP (M19, M20, M21, M22, M23, M24)  | M2 - GDS80403ANBA           |
| 0131F00021      | BLOWER MOTOR, 1/3HP, 4SP, 6PL (M1, M2, M4, M5, M7, M8, M9, M10, M11, M12)                         | M3 - GDS80403ANBB           |
| 0131F00027      | BLOWER MOTOR, 1/3HP, 4SP, 6PL (M3, M6)  | M4 - GDS80403AXAA           |
| 0150M00035      | BLOWER WHEEL 10 X 10 (M19, M20, M21, M22, M23, M24)   | M5 - GDS80403AXBA           |
| B1368034        | BLOWER WHEEL 10 X 6 (M1, M2, M3, M4, M5, M6, M7, M8, M9, M10, M11, M12)                           | M6 - GDS80403AXBB           |
| B1368016S       | BLOWER WHEEL 10 X 8 (M13, M14, M15, M16, M17, M18)  | M7 - GDS80603ANAA           |
| CAP125000370RPP | CAP, 12.5 MFD/370V/ RD (M1, M2, M3, M4, M5, M6, M7, M8, M9, M10, M11, M12)                        | M8 - GDS80603ANBA           |
| CAP200000370CP  | CAP, 20 MFD/370V/ RD (M13, M14, M15, M16, M17, M18)   | M9 - GDS80603ANBB           |
| CAP250000370RPP | CAP, 25 MFD/370V/ RD (M19, M20, M21, M22, M23, M24)   | M10 - GDS80603AXAA          |
| 0128F00006      | CHIMNEY TRANSITION BOTTOM   | M11 - GDS80603AXBA          |
| 0130F00010      | FLAME SENSOR  | M12 - GDS80603AXBB          |
| 0270F00901      | HEAT EXCHANGER ASSY (M7, M8, M9, M10, M11, M12)   | M13 - GDS80804BNAA          |
| 0270F00900      | HEAT EXCHANGER ASSY (M1, M2, M3, M4, M5, M6)  | M14 - GDS80804BNBA          |
| 0270F00902      | HEAT EXCHANGER ASSY (M13, M14, M15, M16, M17, M18)  | M15 - GDS80804BNBB          |
| 0270F00903      | HEAT EXCHANGER ASSY (M19, M20, M21, M22, M23, M24)  | M16 - GDS80804BXAA          |
| PCBBF123        | IGNITION BOARD, HSI INTEGRATED  | M17 - GDS80804BXBA          |
| 20165703        | IGNITOR   | M18 - GDS80804BXBB          |
| B1370818        | INTERLOCK SWITCH  | M19 - GDS81005CNAA          |
| 20162901        | LIMIT (M20, M21, M23, M24)  | M20 - GDS81005CNBA          |
| 10123529        | MANUAL RESET LIMIT  | M21 - GDS81005CNBB          |
| 0130F00042      | PRESSURE SWITCH (M20, M21, M23, M24)  | M22 - GDS81005CXAA          |
| B1370142        | PRESSURE SWITCH 0.60" WC (M1, M2, M3, M4, M5, M6, M8, M9, M11, M12, M13, M14, M15, M16, M17, M18) | M23 - GDS81005CXBA          |
| B1370158        | PRESSURE SWITCH -0.70" WC (M7, M10, M19, M22)   | M24 - GDS81005CXBB          |
| 0130F00038      | PRIMARY LIMIT - LT BLUE 120°  |                             |
| 0130F00036      | PRIMARY LIMIT - PINK (M2, M3, M5, M6, M8, M9, M11, M12, M13, M14, M15, M16, M17, M18, M19, M22)   |                             |
| 0130F00035      | PRIMARY LIMIT - PURPLE 220° (M1, M4, M7, M10)   |                             |
| 0130M00139      | TRANSFORMER, 40VA,120VTO24V   |                             |
| 0151M00013      | VALVE, GAS (HW) SINGLE STAGE  |                             |
| 0131M00002      | VENT MOTOR  |                             |
| DY6.186.070     | VENT MOTOR CAPACITOR  |                             |

## SPECIAL PARTS

0161F00007 GOODMAN NAMEPLATE

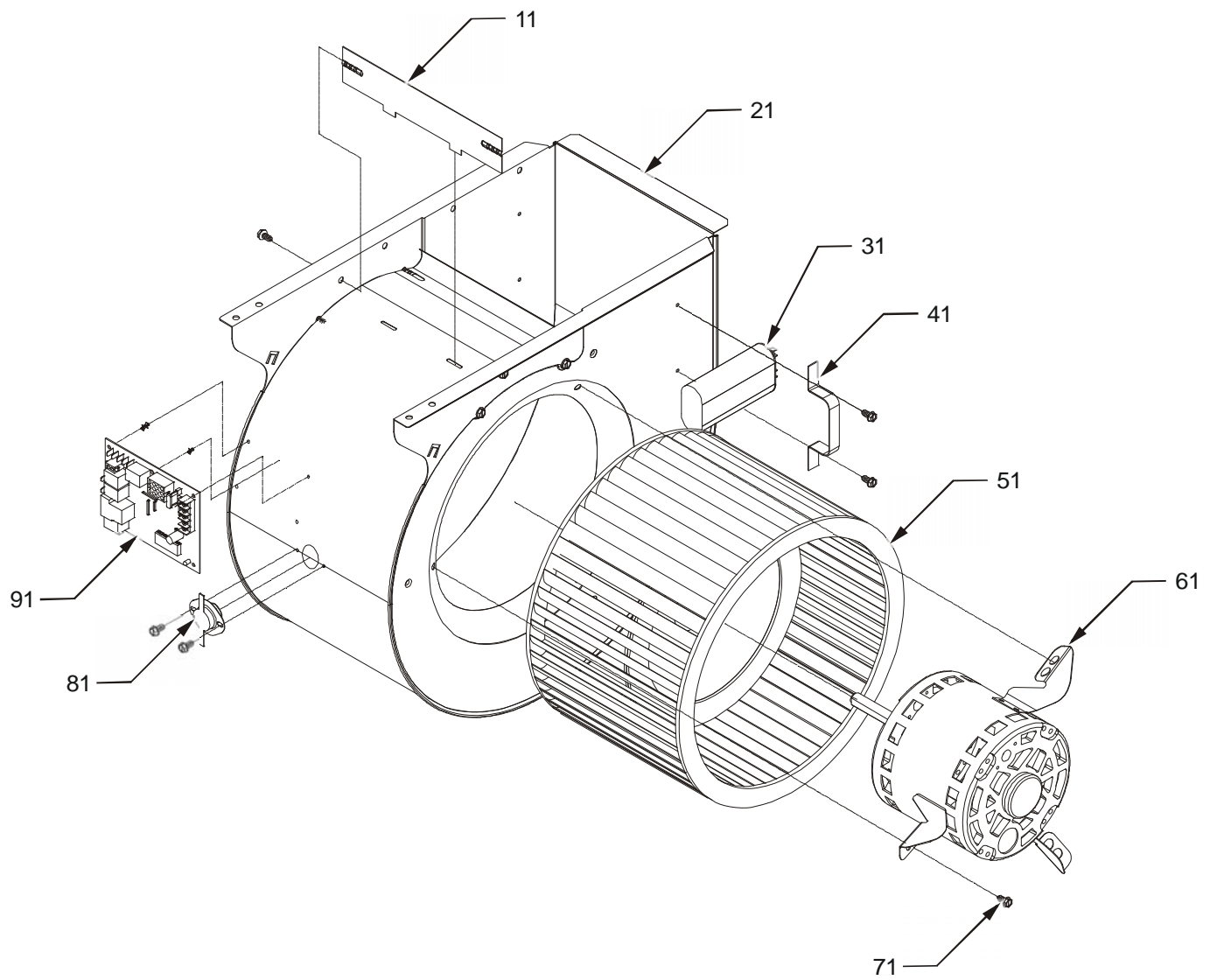
# Cabinet Assy



# Cabinet Assy

| Ref. Part No:   | No:          | Description:  | Ref. Part No:               | No: | Description: |
|-----------------|--------------|---|-----------------------------|-----|--------------|
| <i>Image 1:</i> |              |   | Expanded Model Nomenclature |     |              |
| 11              | 0121F00183DG | FURNACE BOTTOM 14" (M1, M2, M3, M4, M5, M6, M7, M8, M9, M10, M11, M12)                            | M1 - GDS80403ANAA           |     |              |
| 11              | 0121F00190DG | FURNACE BOTTOM 17.5" (M13, M14, M15, M16, M17, M18)   | M2 - GDS80403ANBA           |     |              |
| 11              | 0121F00191DG | FURNACE BOTTOM 21" (M19, M20, M21, M22, M23, M24)   | M3 - GDS80403ANBB           |     |              |
| 31              | 0121F00141DG | TOP 14" (M1, M2, M3, M4, M5, M6, M7, M8, M9, M10, M11, M12)                                       | M4 - GDS80403AXAA           |     |              |
| 31              | 0121F00142DG | TOP 17.5" (M13, M14, M15, M16, M17, M18)  | M5 - GDS80403AXBA           |     |              |
| 41              | 0121F00122DG | BLOWER ACCESS DOOR 14" (M1, M2, M3, M4, M5, M6, M7, M8, M9, M10, M11, M12)                        | M6 - GDS80403AXBB           |     |              |
| 41              | 0121F00123DG | BLOWER ACCESS DOOR 17.5" (M13, M14, M15, M16, M17, M18)   | M7 - GDS80603ANAA           |     |              |
| 41              | 0121F00124DG | BLOWER ACCESS DOOR 21" (M19, M20, M21, M22, M23, M24)   | M8 - GDS80603ANBA           |     |              |
| 51              | 0130M00139   | TRANSFORMER, 40VA,120VTO24V   | M9 - GDS80603ANBB           |     |              |
| 61              | 0130F00042   | PRESSURE SWITCH (M20, M21, M23, M24)  | M10 - GDS80603AXAA          |     |              |
| 61              | B1370142     | PRESSURE SWITCH 0.60" WC (M1, M2, M3, M4, M5, M6, M8, M9, M11, M12, M13, M14, M15, M16, M17, M18) | M11 - GDS80603AXBA          |     |              |
| 61              | B1370158     | PRESSURE SWITCH -0.70" WC (M7, M10, M19, M22)   | M12 - GDS80603AXBB          |     |              |
| 71              | B1392139     | VIEW PORT BUSHING-BLOWER DOOR   | M13 - GDS80804BNAA          |     |              |
| 81              | 0121F00185   | INNER BLOWER DOOR 14" (M1, M2, M3, M4, M5, M6, M7, M8, M9, M10, M11, M12)                         | M14 - GDS80804BNBA          |     |              |
| 81              | 0121F00192   | INNER BLOWER DOOR 17.5" (M13, M14, M15, M16, M17, M18)  | M15 - GDS80804BNBB          |     |              |
| 81              | 0121F00193   | INNER BLOWER DOOR 21" (M19, M20, M21, M22, M23, M24)  | M16 - GDS80804BXAA          |     |              |
| 91              | 0121F00118DG | CONTROL ACCESS DOOR 14" (M1, M2, M3, M4, M5, M6, M7, M8, M9, M10, M11, M12)                       | M17 - GDS80804BXBA          |     |              |
| 91              | 0121F00119DG | CONTROL ACCESS DOOR 17.5" (M13, M14, M15, M16, M17, M18)  | M18 - GDS80804BXBB          |     |              |
| 91              | 0121F00120DG | CONTROL ACCESS DOOR 21" (M19, M20, M21, M22, M23, M24)  | M19 - GDS81005CNAA          |     |              |
| 101             | 4023500      | CHIMNEY TRANSITION TOP  | M20 - GDS81005CNBA          |     |              |
| 111             | 4015502      | J-BOX COVER   | M21 - GDS81005CNBB          |     |              |
| 121             | 4014502      | J-BOX   | M22 - GDS81005CXAA          |     |              |
| 131             | 0121F00143DG | TOP 21" (M19, M20, M21, M22, M23, M24)  | M23 - GDS81005CXBA          |     |              |
| 131             | 0163F00001   | UNIVERSAL BUSHING WITH SLICE  | M24 - GDS81005CXBB          |     |              |
| 141             | B1370818     | INTERLOCK SWITCH  |                             |     |              |
| NS              | 0259F00057   | ASSY, WIRE HARNESS, 12-PIN  |                             |     |              |
| NS              | 0161F00007   | GOODMAN NAMEPLATE   |                             |     |              |
| NS              | 0159F00009   | IGNITOR WIRE HARNESS ASSY   |                             |     |              |
| NS              | 0259F00059   | KIT, WIRE DF  |                             |     |              |

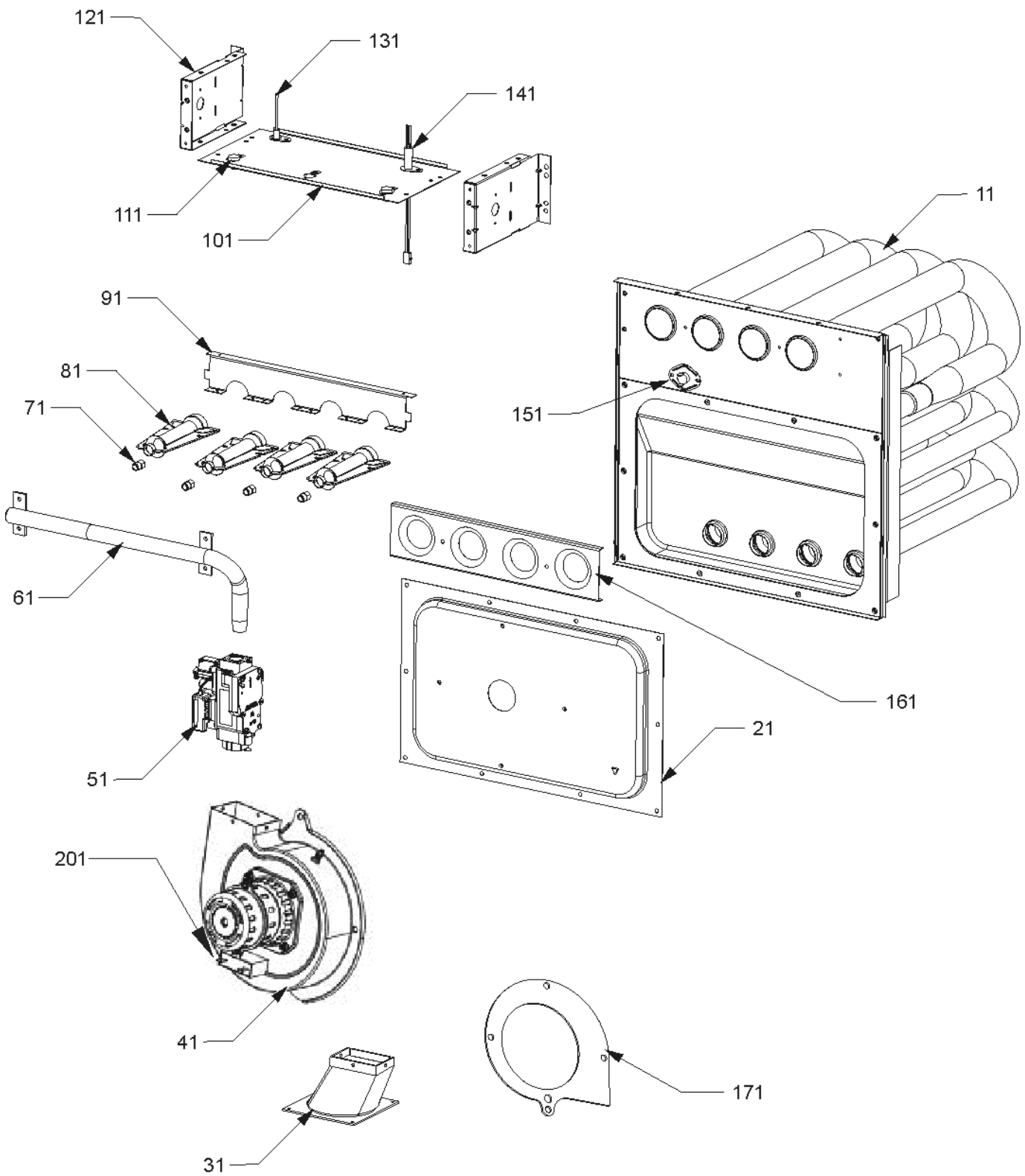
# Blower Assy



# Blower Assy

| Ref. Part No:   | No:             | Description:   | Ref. Part No:               | No:          | Description: |
|-----------------|-----------------|--|-----------------------------|--------------|--------------|
| <i>Image 1:</i> |                 |  | Expanded Model Nomenclature |              |              |
| 11              | 764741F         | BLOWER BLOCK-OFF 10 X 10 (M19, M20, M21, M22, M23, M24)                    | M1 -                        | GDS80403ANAA |              |
| 11              | 764739          | BLOWER CUT-OFF 10 X 6 (M1, M2, M3, M4, M5, M6, M7, M8, M9, M10, M11, M12)  | M2 -                        | GDS80403ANBA |              |
| 11              | 764740          | BLWR BLK-OFF,10X8 (M13, M14, M15, M16, M17, M18)                           | M3 -                        | GDS80403ANBB |              |
| 21              | 2539307         | BLOWER HOUSING 10 X 10 (M19, M20, M21, M22, M23, M24)                      | M4 -                        | GDS80403AXAA |              |
| 21              | 2539305         | BLOWER HOUSING 10 X 6 (M1, M2, M3, M4, M5, M6, M7, M8, M9, M10, M11, M12)  | M5 -                        | GDS80403AXBA |              |
| 21              | 2539306         | BLOWER HOUSING 10 X 8 (M13, M14, M15, M16, M17, M18)                       | M6 -                        | GDS80403AXBB |              |
| 31              | CAP125000370RPP | CAP, 12.5 MFD/370V/ RD (M1, M2, M3, M4, M5, M6, M7, M8, M9, M10, M11, M12) | M7 -                        | GDS80603ANAA |              |
| 31              | CAP200000370CP  | CAP, 20 MFD/370V/ RD (M13, M14, M15, M16, M17, M18)                        | M8 -                        | GDS80603ANBA |              |
| 31              | CAP250000370RPP | CAP, 25 MFD/370V/ RD (M19, M20, M21, M22, M23, M24)                        | M9 -                        | GDS80603ANBB |              |
| 41              | 1284835         | CAPACITOR STRAP  | M10 -                       | GDS80603AXAA |              |
| 51              | 0150M00035      | BLOWER WHEEL 10 X 10 (M19, M20, M21, M22, M23, M24)                        | M11 -                       | GDS80603AXBA |              |
| 51              | B1368034        | BLOWER WHEEL 10 X 6 (M1, M2, M3, M4, M5, M6, M7, M8, M9, M10, M11, M12)    | M12 -                       | GDS80603AXBB |              |
| 51              | B1368016S       | BLOWER WHEEL 10 X 8 (M13, M14, M15, M16, M17, M18)                         | M13 -                       | GDS80804BNAA |              |
| 61              | 0131F00022      | BLOWER MOTOR 1/2 HP, 4 SP, 6 PL (M13, M14, M15, M16, M17, M18)             | M14 -                       | GDS80804BNBA |              |
| 61              | 20046618        | BLOWER MOTOR 3/4 HP (M19, M20, M21, M22, M23, M24)                         | M15 -                       | GDS80804BNBB |              |
| 61              | 0131F00021      | BLOWER MOTOR, 1/3HP, 4SP, 6PL (M1, M2, M4, M5, M7, M8, M9, M10, M11, M12)  | M16 -                       | GDS80804BXAA |              |
| 61              | 0131F00027      | BLOWER MOTOR, 1/3HP, 4SP, 6PL (M3, M6)                                     | M17 -                       | GDS80804BXBA |              |
| 71              | M0250558        | TC SCREW (QTY 3)   | M18 -                       | GDS80804BXBB |              |
| 81              | 0130F00038      | PRIMARY LIMIT - LT BLUE 120°   | M19 -                       | GDS81005CNAA |              |
| 91              | PCBBF123        | IGNITION BOARD, HSI INTEGRATED   | M20 -                       | GDS81005CNBA |              |
| NS              | B1393802        | SUPPORT, 2-WING BOARD, .187 MT (QTY 4)                                     | M21 -                       | GDS81005CNBB |              |
| NS              | B1393803        | SUPPORT, SINGLE-WING BOARD (.1   | M22 -                       | GDS81005CXAA |              |
|                 |                 |  | M23 -                       | GDS81005CXBA |              |
|                 |                 |  | M24 -                       | GDS81005CXBB |              |

# Heat Exchanger Assy





# Heat Exchanger Assy

| Ref. Part No: No: | Description:   | Ref. Part No: No:   | Description:  |
|-------------------|--|---|---|
| <i>Image 1:</i>   |  | <i>Image 1:</i>   |   |
| 11 0270F00900     | HEAT EXCHANGER ASSY (M1, M2, M3, M4, M5, M6)                                       | 141 20165703  | IGNITOR   |
| 11 0270F00901     | HEAT EXCHANGER ASSY (M7, M8, M9, M10, M11, M12)                                    | 151 20162901  | LIMIT (M20, M21, M23, M24)  |
| 11 0270F00902     | HEAT EXCHANGER ASSY (M13, M14, M15, M16, M17, M18)                                 | 151 0130F00036  | PRIMARY LIMIT - PINK (M2, M3, M5, M6, M8, M9, M11, M12, M13, M14, M15, M16, M17, M18, M19, M22) |
| 11 0270F00903     | HEAT EXCHANGER ASSY (M19, M20, M21, M22, M23, M24)                                 | 151 0130F00035  | PRIMARY LIMIT - PURPLE 220° (M1, M4, M7, M10)   |
| 11 4028003        | ORIFICE SHIELD 5 CELL (M19, M20, M21, M22, M23, M24)                               | 161 4028000   | ORIFICE SHIELD 2 CELL (M1, M2, M3, M4, M5, M6)  |
| 21 0121F00327     | 14" COLLECTOR BOX 1.125" DIA (M2, M3, M5, M6)                                      | 161 4028001   | ORIFICE SHIELD 3 CELL (M7, M8, M9, M10, M11, M12)   |
| 21 0121F00364     | 14" FLUE COLLECTOR BOX 1.5"DIA (M8, M9, M11, M12)                                  | 161 4028002   | ORIFICE SHIELD 4 CELL (M13, M14, M15, M16, M17, M18)  |
| 21 0121F00334     | 21" COLLECTOR BOX 1.625" DIA (M20, M21, M23, M24)                                  | 171 0154F00003  | VENT MOTOR GASKET 14" (M1, M2, M3, M4, M5, M6, M7, M8, M9, M10, M11, M12)                       |
| 21 0121F00126     | FLUE COLLECTOR BOX KIT 14" 1.25 DIA (M1, M4)                                       | 171 0154F00004  | VENT MOTOR GASKET 17.5" (M13, M14, M15, M16, M17, M18)  |
| 21 0121F00208     | FLUE COLLECTOR BOX KIT 14" 2.5 DIA (M7, M10)                                       | 171 0154F00005  | VENT MOTOR GASKET 21" (M19, M20, M21, M22, M23, M24)  |
| 21 0121F00128     | FLUE COLLECTOR BOX KIT 17.5" 1.75 DIA (M14, M15, M17, M18)                         | 201 DY6.186.070   | VENT MOTOR CAPACITOR  |
| 21 0121F00201     | FLUE COLLECTOR BOX KIT 17.5", 2.5 DIA (M13, M16)                                   | <b>Expanded Model Nomenclature</b>  |   |
| 21 0121F00200     | FLUE COLLECTOR BOX KIT 21" 2.75 DIA (M19, M22)                                     | M1 - GDS80403ANAA<br>M2 - GDS80403ANBA<br>M3 - GDS80403ANBB<br>M4 - GDS80403AXAA<br>M5 - GDS80403AXBA<br>M6 - GDS80403AXBB<br>M7 - GDS80603ANAA<br>M8 - GDS80603ANBA<br>M9 - GDS80603ANBB<br>M10 - GDS80603AXAA<br>M11 - GDS80603AXBA<br>M12 - GDS80603AXBB<br>M13 - GDS80804BNAA<br>M14 - GDS80804BNBA<br>M15 - GDS80804BNBB<br>M16 - GDS80804BXAA<br>M17 - GDS80804BXBA<br>M18 - GDS80804BXBB<br>M19 - GDS81005CNAA<br>M20 - GDS81005CNBA<br>M21 - GDS81005CNBB<br>M22 - GDS81005CXAA<br>M23 - GDS81005CXBA<br>M24 - GDS81005CXBB |   |
| 31 0128F00006     | CHIMNEY TRANSITION BOTTOM  |   |   |
| 41 0131M00002     | VENT MOTOR   |   |   |
| 51 0151M00013     | VALVE, GAS (HW) SINGLE STAGE   |   |   |
| 61 0120F00006     | MANIFOLD (M1, M2, M3, M4, M5, M6)  |   |   |
| 61 0120F00007     | MANIFOLD (M7, M8, M9, M10, M11, M12)   |   |   |
| 61 0120F00008     | MANIFOLD (M13, M14, M15, M16, M17, M18)  |   |   |
| 61 0120F00009     | MANIFOLD (M19, M20, M21, M22, M23, M24)  |   |   |
| 71 10716003       | ORIFICE (M1, M4, M7, M10, M13, M16, M19, M22)                                      |   |   |
| 71 B4089345       | ORIFICE (M2, M3, M5, M6, M8, M9, M11, M12, M14, M15, M17, M18, M20, M21, M23, M24) |   |   |
| 81 B4022700       | INSHOT BURNER ASSY 3" (QTY A/R)  |   |   |
| 91 0121F00167     | BURNER BRACKET 2B (M1, M2, M3, M4, M5, M6)   |   |   |
| 91 0121F00168     | BURNER BRACKET 3B (M7, M8, M9, M10, M11, M12)                                      |   |   |
| 91 0121F00169     | BURNER BRACKET 4B (M13, M14, M15, M16, M17, M18)                                   |   |   |
| 91 0121F00170     | BURNER BRACKET 5B (M19, M20, M21, M22, M23, M24)                                   |   |   |
| 101 0121F00162    | BURNER BOX TOP 2 CELL (M1, M2, M3, M4, M5, M6)                                     |   |   |
| 101 0121F00163    | BURNER BOX TOP 3 CELL (M7, M8, M9, M10, M11, M12)                                  |   |   |
| 101 0121F00164    | BURNER BOX TOP 4 CELL (M13, M14, M15, M16, M17, M18)                               |   |   |
| 101 0121F00165    | BURNER BOX TOP 5 CELL (M19, M20, M21, M22, M23, M24)                               |   |   |
| 111 10123529      | MANUAL RESET LIMIT   |   |   |
| 121 0121F00146    | BURNER BOX SIDE (QTY 2)  |   |   |
| 131 0130F00010    | FLAME SENSOR   |   |   |