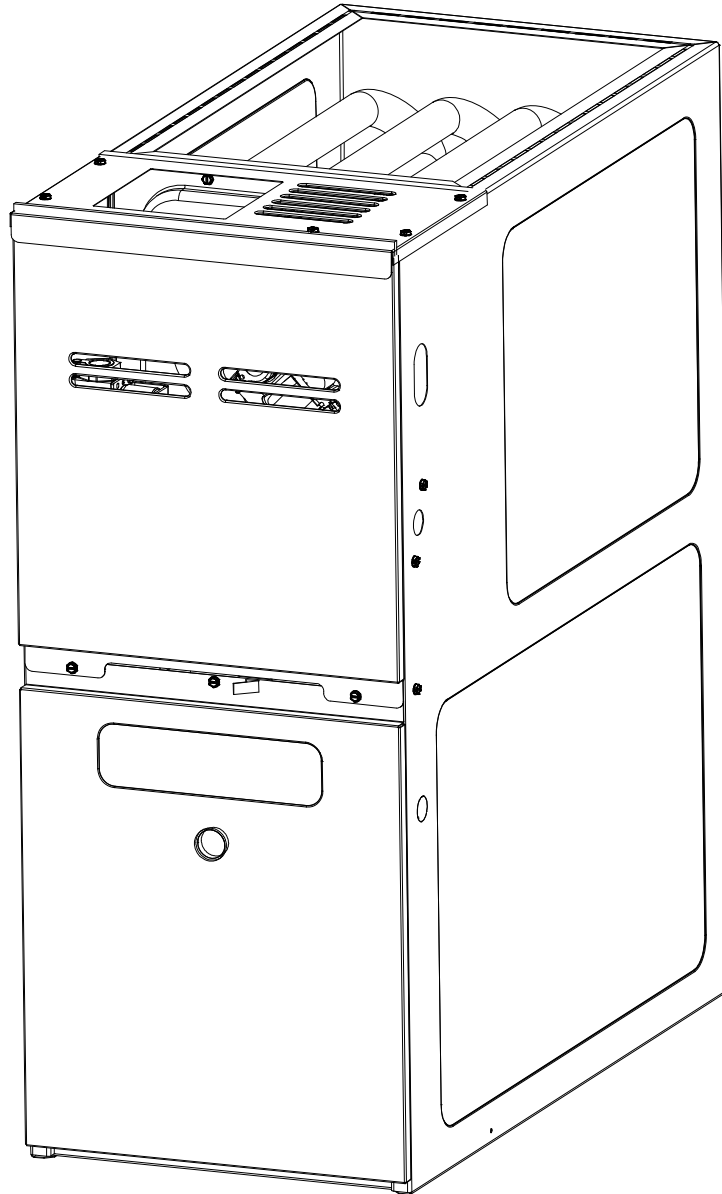


REPAIR PARTS

GMH8 80% Upflow Hybrid Furnace

GMH80403ANAA
GMH80403AXAA
GMH80603ANAA
GMH80603AXAA
GMH80604BNAA
GMH80604BXAA
GMH80803BNAA
GMH80803BXAA
GMH80804BNAA
GMH80804BXAA
GMH80805CNAA
GMH80805CXAA
GMH81005CNAA
GMH81005CXAA
GMH81205DNAA
GMH81205DXAA



This manual is to be used by qualified technicians only.

This manual replaces RP-664.

© 2009 Goodman Manufacturing Company, L.P. ♦ 5151 San Felipe, Suite 500 ♦ Houston, TX 77056

Important Information

Index

Functional Parts List	3
Illustration and Parts	4 - 11

Views shown are for parts illustrations only, not servicing procedures

12-13-13: added vent motor capacitor

Text Codes:

AR - As Required

NA - Not Available

NS - Not Shown

00000000 - See Note

QTY - Quantity Example (QTY 3) (If Quantity not shown, Quantity = 1)

M - Model Example (M1) (If M Code not shown, then part is used on all Models)

Expanded Model Nomenclature:

Example M1 - Model#1 M2 - Model#2 M3 - Model#3

Goodman Manufacturing Company, L.P. is not responsible for personal injury or property damage resulting from improper service. Review all service information before beginning repairs.

Warranty service must be performed by an authorized technician, using authorized factory parts. If service is required after the warranty expires, Goodman Manufacturing Company, L.P. also recommends contacting an authorized technician and using authorized factory parts.

Goodman Manufacturing Company, L.P. reserves the right to discontinue, or change at any time, specifications or designs without notice or without incurring obligations.

For assistance within the U.S.A. contact:
Consumer Affairs Department
Goodman Manufacturing Company, L.P.
7401 Security Way
Houston, Texas 77040
877-254-4729-Telephone
713-863-2382-Facsimile

For assistance outside the U.S.A. contact:
International Division
Goodman Manufacturing Company, L.P.
7401 Security Way
Houston, Texas 77040
713-861-2500-Telephone
713-863-2382-Facsimile

Functional Parts

Part

No: **Description:**

0131F00022	BLOWER MOTOR 1/2 HP, 4 SP, 6 PL (M5, M6, M9, M10, M11, M12, M13, M14)
0131F00020	BLOWER MOTOR 1/3 HP, 4 SP, 6 PL (M1, M2, M3, M4, M7, M8)
20046618	BLOWER MOTOR 3/4 HP (M15, M16)
CAP125000370RP	CAPACITOR 12.5/370V (M1, M2, M3, M4, M7, M8)
CAP200000440RP	CAPACITOR 20/370V (M5, M6, M9, M10, M11, M12, M13, M14)
CAP250000370RP	CAPACITOR 25/370V (M15, M16)
0130F00010	FLAME SENSOR
B1370818	INTERLOCK SWITCH
10123529	MANUAL RESET LIMIT (QTY 2)
PCBBF132	PCB 2STAGE HYBRID FURNACE CNTL
B1370179	PRESSURE SWITCH (M5, M6, M7, M8, M9, M10, M11, M12)
0130F00041	PRESSURE SWITCH (M13, M14)
0130F00042	PRESSURE SWITCH (M15, M16)
B1370158	PRESSURE SWITCH -0.70" WC (M1, M2, M3, M4)
20162903	PRIMARY LIMIT - BLUE (M9, M10, M15, M16)
0130F00038	PRIMARY LIMIT - LT BLUE 120°
0130F00036	PRIMARY LIMIT - PINK (M13, M14)
0130F00035	PRIMARY LIMIT - PURPLE 220° (M1, M2)
20162906	PRIMARY LIMIT - WHITE (M3, M4, M5, M6, M7, M8, M11, M12)
0130F00008	SINI IGNITOR
B1141605	TRANSFORMER 120V TO 24V, 40 VA
0151M00014	VALVE, GAS (HW) VR92
0131M00002	VENT MOTOR
DY6.186.070	VENT MOTOR CAPACITOR

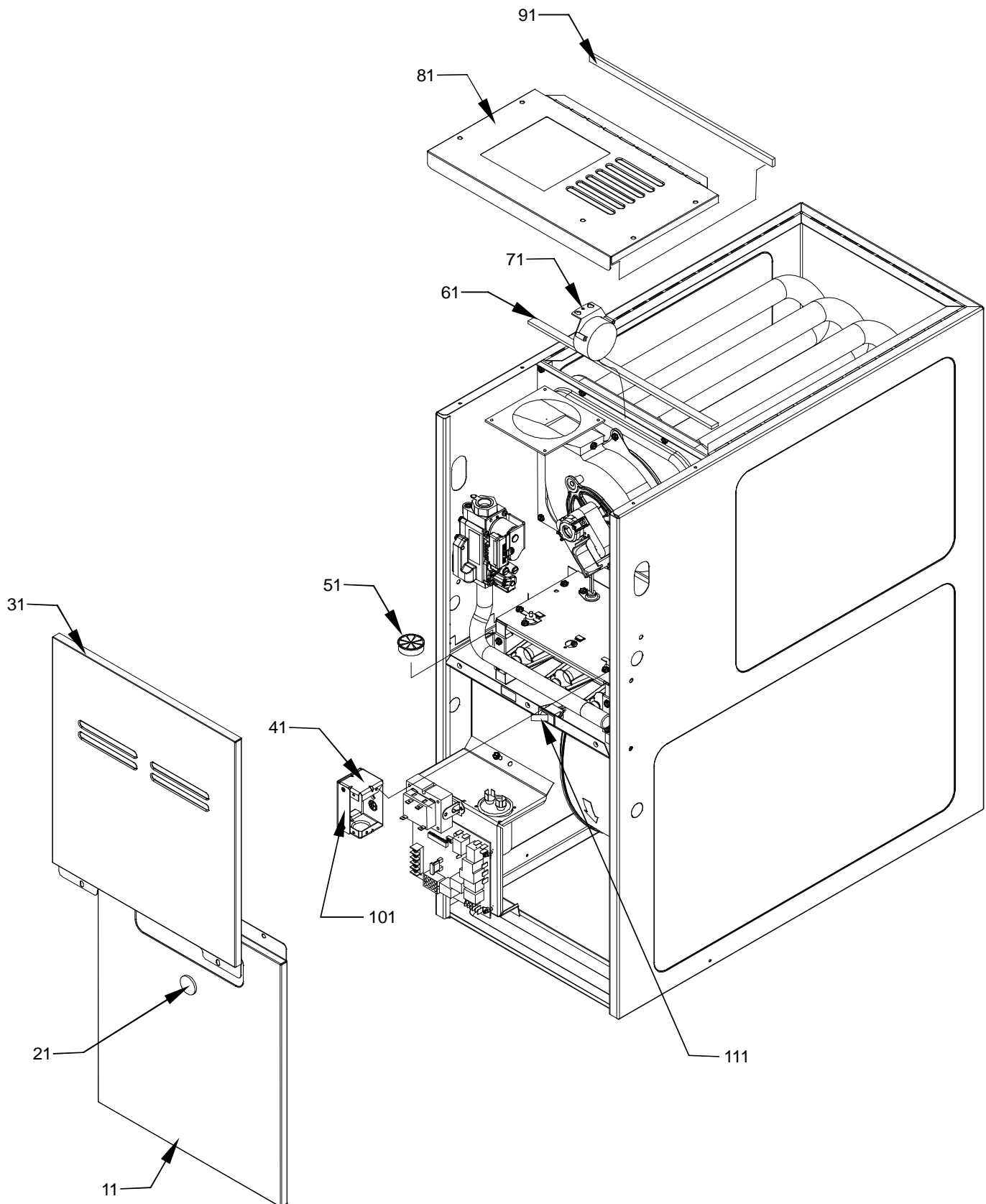
SPECIAL PARTS

0161F00007 GOODMAN NAMEPLATE

Expanded Model Nomenclature

M1 - GMH80403ANAA
M2 - GMH80403AXAA
M3 - GMH80603ANAA
M4 - GMH80603AXAA
M5 - GMH80604BNAA
M6 - GMH80604BXAA
M7 - GMH80803BNAA
M8 - GMH80803BXAA
M9 - GMH80804BNAA
M10 - GMH80804BXAA
M11 - GMH80805CNAA
M12 - GMH80805CXAA
M13 - GMH81005CNAA
M14 - GMH81005CXAA
M15 - GMH81205DNAA
M16 - GMH81205DXAA

Cabinet



Cabinet

Ref. Part No: No:	Description:	Ref. Part No: No:	Description:
-------------------	--------------	-------------------	--------------

Image 1:

11	0121F00122DG	DOOR, BLOWER, 14" (M1, M2, M3, M4)
11	0121F00123DG	DOOR, BLOWER, 17.5" (M5, M6, M7, M8, M9, M10)
11	0121F00124DG	DOOR, BLOWER, 21" (M11, M12, M13, M14)
11	0121F00125DG	DOOR, BLOWER, 24.5" (M15, M16)
21	B1392139	VIEW PORT BUSHING-BLOWER DOOR
31	0121F00118DG	DOOR CTRL ACCESS, 14" (M1, M2, M3, M4)
31	0121F00120DG	DOOR CTRL ACCESS, 21" (M11, M12, M13, M14)
31	0121F00119DG	DOOR CTRL ACCESS,17.5" (M5, M6, M7, M8, M9, M10)
31	0121F00121DG	DOOR CTRL ACCESS,24.5" (M15, M16)
41	4014502	J-BOX
51	B1392147	UNIVERSAL BUSHING WITH SLICE
61	B13926111	SEAL STRIP, 1/8 X 1/2 X 14 (M1, M2, M3, M4)
61	B13926112	SEAL STRIP, 1/8 X 1/2 X 17.5 (M5, M6, M7, M8, M9, M10)
61	B13926113	SEAL STRIP, 1/8 X 1/2 X 21 (M11, M12, M13, M14)
61	B13926114	SEAL STRIP, 1/8 X 1/2 X 24.5 (M15, M16)
71	0130F00041	PRESSURE SWITCH (M13, M14)
71	0130F00042	PRESSURE SWITCH (M15, M16)
71	B1370179	PRESSURE SWITCH (M5, M6, M7, M8, M9, M10, M11, M12)
71	B1370158	PRESSURE SWITCH -0.70" WC (M1, M2, M3, M4)
81	0121F00141DG	TOP 14" (M1, M2, M3, M4)
81	0121F00142DG	TOP 17.5" (M5, M6, M7, M8, M9, M10)
81	0121F00143DG	TOP 21" (M11, M12, M13, M14)
81	0121F00263PDG	TOP 24.5" (M15, M16)
111	B1370818	INTERLOCK SWITCH
NS	0161F00007	GOODMAN NAMEPLATE
NS	0270K00015	SOLID BOTTOM 14" CASE (M1, M2, M3, M4)
NS	0270K00016	SOLID BOTTOM 17.5" CASE (M5, M6, M7, M8, M9, M10)
NS	0270K00017	SOLID BOTTOM 21" CASE (M11, M12, M13, M14)
NS	0270K00018	SOLID BOTTOM 24.5" CASE (M15, M16)

Expanded Model Nomenclature

- | |
|--------------------|
| M1 - GMH80403ANAA |
| M2 - GMH80403AXAA |
| M3 - GMH80603ANAA |
| M4 - GMH80603AXAA |
| M5 - GMH80604BNAA |
| M6 - GMH80604BXAA |
| M7 - GMH80803BNAA |
| M8 - GMH80803BXAA |
| M9 - GMH80804BNAA |
| M10 - GMH80804BXAA |
| M11 - GMH80805CNAA |
| M12 - GMH80805CXAA |
| M13 - GMH81005CNAA |
| M14 - GMH81005CXAA |
| M15 - GMH81205DNAA |
| M16 - GMH81205DXAA |

Heat Exchanger Assembly

Image 1

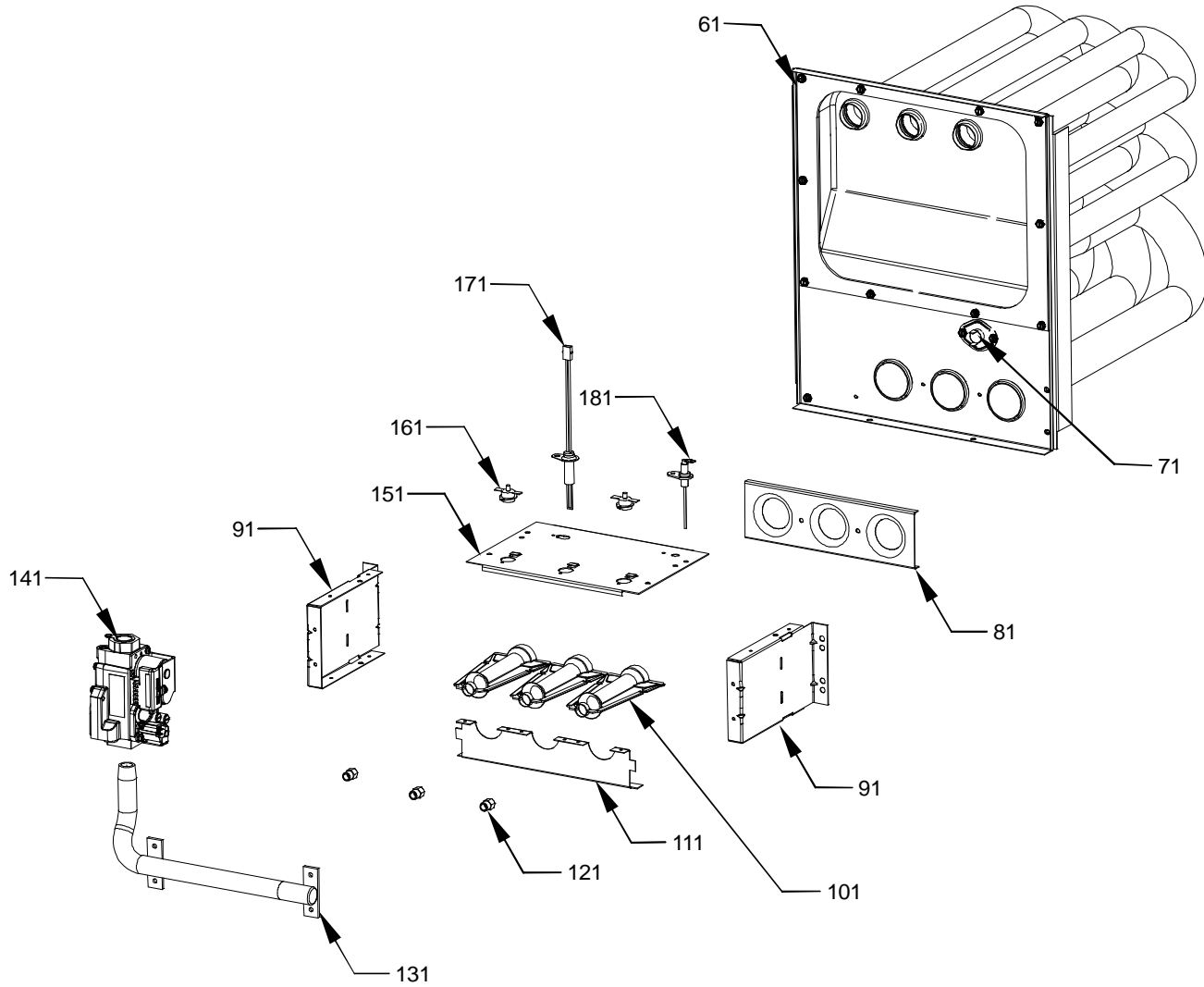
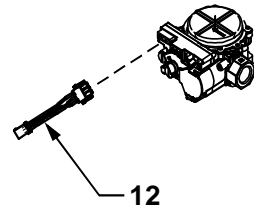


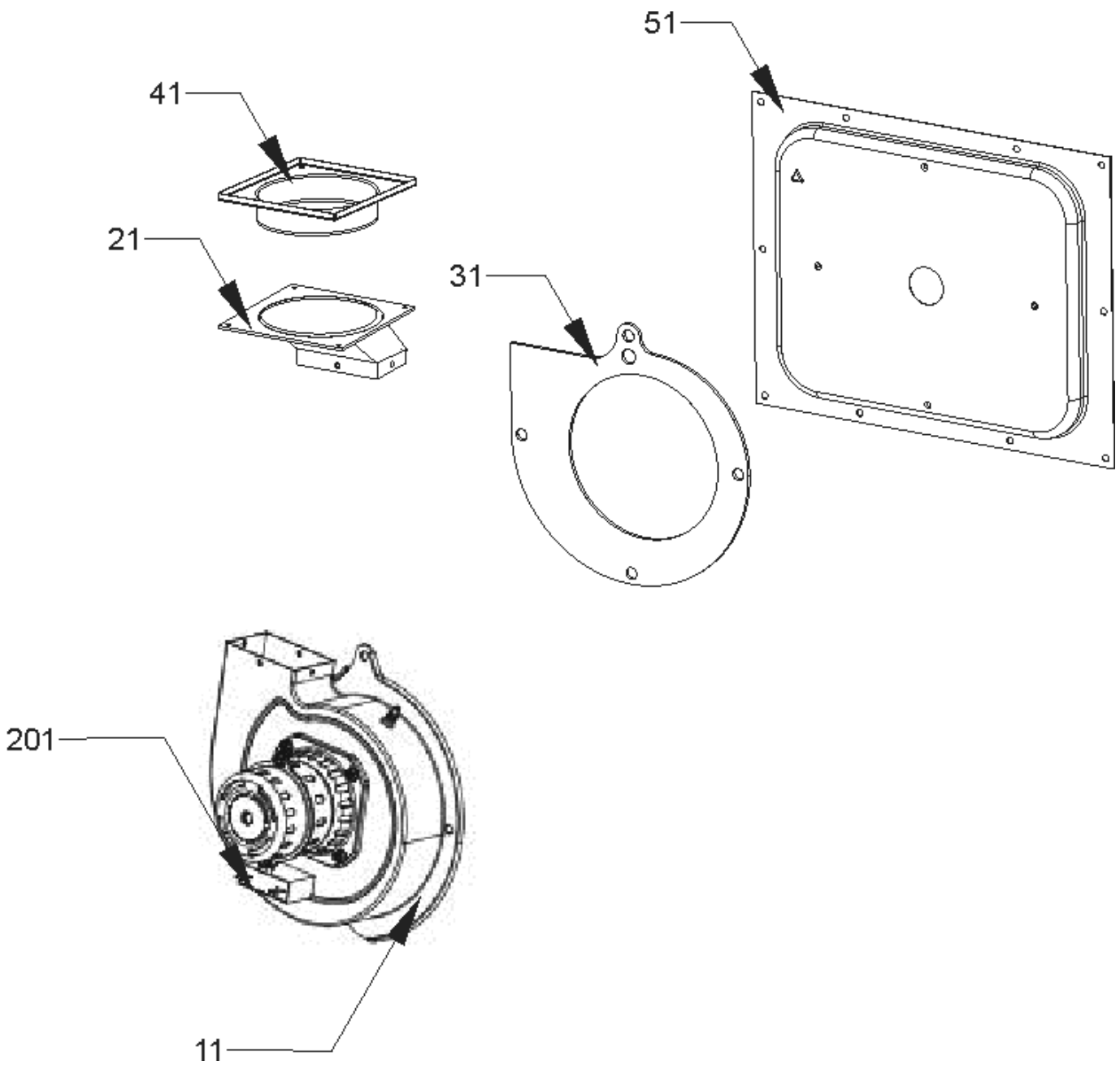
Image 2



Heat Exchanger Assembly

Ref. Part No:	No:	Description:	Ref. Part No:	No:	Description:
<i>Image 1:</i>			Expanded Model Nomenclature		
61	0270F00900	HEAT EXCHANGER ASSY (M1, M2)	M1 -	GMH80403ANAA	
61	0270F00901	HEAT EXCHANGER ASSY (M3, M4)	M2 -	GMH80403AXAA	
61	0270F00902	HEAT EXCHANGER ASSY (M7, M8, M9, M10)	M3 -	GMH80603ANAA	
61	0270F00903	HEAT EXCHANGER ASSY (M13, M14)	M4 -	GMH80603AXAA	
61	0270F00904	HEAT EXCHANGER ASSY (M15, M16)	M5 -	GMH80604BNAA	
61	0270F00929	HEAT EXCHANGER ASSY (M5, M6)	M6 -	GMH80604BXAA	
61	0270F00930	HEAT EXCHANGER ASSY (M11, M12)	M7 -	GMH80803BNAA	
71	20162903	PRIMARY LIMIT - BLUE (M9, M10, M15, M16)	M8 -	GMH80803BXAA	
71	0130F00036	PRIMARY LIMIT - PINK (M13, M14)	M9 -	GMH80804BNAA	
71	0130F00035	PRIMARY LIMIT - PURPLE 220° (M1, M2)	M10 -	GMH80804BXAA	
71	20162906	PRIMARY LIMIT - WHITE (M3, M4, M5, M6, M7, M8, M11, M12)	M11 -	GMH80805CNAA	
81	4028000	ORIFICE SHIELD 2 CELL (M1, M2)	M12 -	GMH80805CXAA	
81	4028001	ORIFICE SHIELD 3 CELL (M3, M4, M5, M6)	M13 -	GMH81005CNAA	
81	4028002	ORIFICE SHIELD 4 CELL (M7, M8, M9, M10, M11, M12)	M14 -	GMH81005CXAA	
81	4028003	ORIFICE SHIELD 5 CELL (M13, M14)	M15 -	GMH81205DNAA	
81	4028004	ORIFICE SHIELD 6 CELL (M15, M16)	M16 -	GMH81205DXAA	
91	0121F00146	BURNER BOX SIDE (QTY 2)			
101	B4022700	INSHOT BURNER ASSY 3" (QTY 2)			
111	0121F00167	BURNER BRACKET 2B (M1, M2)			
111	0121F00168	BURNER BRACKET 3B (M3, M4, M5, M6)			
111	0121F00169	BURNER BRACKET 4B (M7, M8, M9, M10, M11, M12)			
111	0121F00170	BURNER BRACKET 5B (M13, M14)			
111	0121F00171	BURNER BRACKET 6B (M15, M16)			
121	10716003	ORIFICE (QTY AR)			
131	0120F00006	MANIFOLD (M1, M2)			
131	0120F00007	MANIFOLD (M3, M4, M5, M6)			
131	0120F00008	MANIFOLD (M7, M8, M9, M10, M11, M12)			
131	0120F00009	MANIFOLD (M13, M14)			
131	0120F00010	MANIFOLD (M15, M16)			
141	0151M00014	VALVE, GAS (HW) VR92			
151	0121F00162	BURNER BOX TOP 2 CELL (M1, M2)			
151	0121F00163	BURNER BOX TOP 3 CELL (M3, M4, M5, M6)			
151	0121F00164	BURNER BOX TOP 4 CELL (M7, M8, M9, M10, M11, M12)			
151	0121F00165	BURNER BOX TOP 5 CELL (M13, M14)			
151	0121F00166	BURNER BOX TOP 6 CELL (M15, M16)			
161	10123529	MANUAL RESET LIMIT (QTY 2)			
171	0130F00008	SINI IGNITOR			
181	0130F00010	FLAME SENSOR			

Collector Box Assembly



Collector Box Assembly

Ref. Part No: No:	Description:	Ref. Part No: No:	Description:
-------------------	--------------	-------------------	--------------

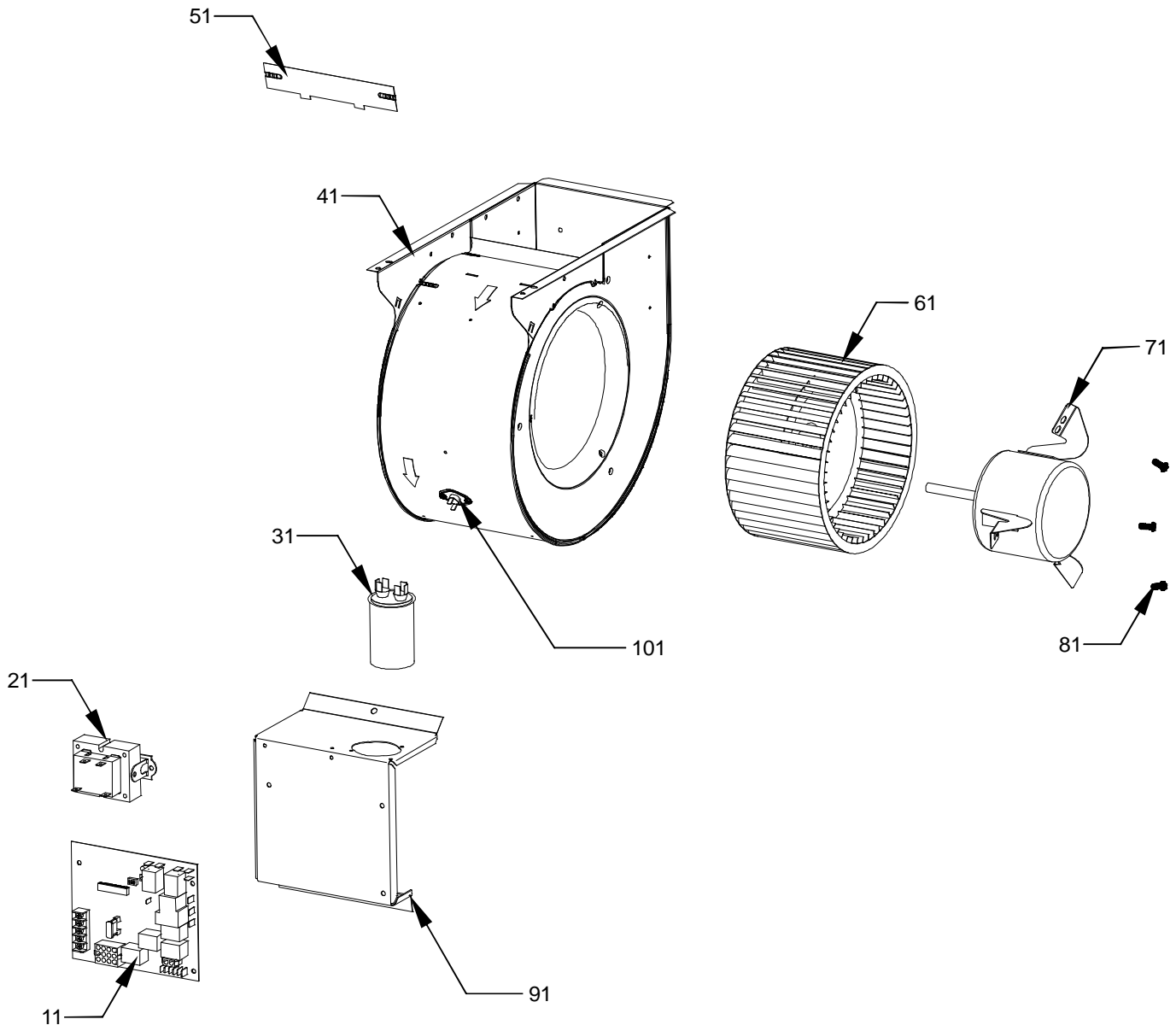
Image 1:

11	0131M00002	VENT MOTOR
21	0128F00006	CHIMNEY TRANSITION BOTTOM
31	0154F00003	VENT MOTOR GASKET 14" (M1, M2, M3, M4)
31	0154F00004	VENT MOTOR GASKET 17.5" (M5, M6, M7, M8, M9, M10)
31	0154F00005	VENT MOTOR GASKET 21" (M11, M12, M13, M14)
31	0154F00006	VENT MOTOR GASKET 24.5" (M15, M16)
41	4023500	CHIMNEY TRANSITION TOP
51	0121F00126	FLUE COLLECTOR BOX KIT 14" 1.25 DIA (M1, M2)
51	0121F00127	FLUE COLLECTOR BOX KIT 14" 2.0 DIA (M3, M4)
51	0121F00128	FLUE COLLECTOR BOX KIT 17.5" 1.75 DIA (M5, M6)
51	0121F00161	FLUE COLLECTOR BOX KIT 17.5" 2.0 DIA (M7, M8, M9, M10)
51	0121F00130	FLUE COLLECTOR BOX KIT 21" 2.25 DIA (M11, M12, M13, M14)
51	0121F00131	FLUE COLLECTOR BOX KIT 24.5" 3.5 DIA (M15, M16)
201	DY6.186.070	VENT MOTOR CAPACITOR

Expanded Model Nomenclature

M1 - GMH80403ANAA
M2 - GMH80403AXAA
M3 - GMH80603ANAA
M4 - GMH80603AXAA
M5 - GMH80604BNAA
M6 - GMH80604BXAA
M7 - GMH80803BNAA
M8 - GMH80803BXAA
M9 - GMH80804BNAA
M10 - GMH80804BXAA
M11 - GMH80805CNAA
M12 - GMH80805CXAA
M13 - GMH81005CNAA
M14 - GMH81005CXAA
M15 - GMH81205DNAA
M16 - GMH81205DXAA

Blower and Control Panel



Blower and Control Panel

Ref. Part No:	No:	Description:	Ref. Part No:	No:	Description:
<i>Image 1:</i>					
11	PCBBF132	PCB 2STAGE HYBRID FURNACE CNTL			
21	B1141605	TRANSFORMER 120V TO 24V, 40 VA			
31	CAP125000370RP	CAPACITOR 12.5/370V (M1, M2, M3, M4, M7, M8)			
31	CAP200000440RP	CAPACITOR 20/370V (M5, M6, M9, M10, M11, M12, M13, M14)			
31	CAP250000370RP	CAPACITOR 25/370V (M15, M16)			
41	2539307	BLOWER HOUSING 10 X 10 (M11, M12, M13, M14, M15, M16)			
41	2539305	BLOWER HOUSING 10 X 6 (M1, M2, M3, M4)			
41	2539306	BLOWER HOUSING 10 X 8 (M5, M6, M7, M8, M9, M10)			
51	764741F	BLOWER BLOCK-OFF 10 X 10 (M11, M12, M13, M14, M15, M16)			
51	764740F	BLOWER BLOCK-OFF 10 X 8 (M5, M6, M7, M8, M9, M10)			
51	764739	BLOWER CUT-OFF 10 X 6 (M1, M2, M3, M4)			
61	D6723311	BLOWER WHEEL (M15, M16)			
61	B1368047	BLOWER WHEEL 10 X 10 (M11, M12, M13, M14)			
61	B1368034	BLOWER WHEEL 10 X 6 (M1, M2, M3, M4)			
61	B1368016	BLOWER WHEEL 10 X 8 (M5, M6, M9, M10)			
61	B1368058	BLOWER WHEEL 10 X 8 (M7, M8)			
71	0131F00022	BLOWER MOTOR 1/2 HP, 4 SP, 6 PL (M5, M6, M9, M10, M11, M12, M13, M14)			
71	0131F00020	BLOWER MOTOR 1/3 HP, 4 SP, 6 PL (M1, M2, M3, M4, M7, M8)			
71	20046618	BLOWER MOTOR 3/4 HP (M15, M16)			
81	M0250558	TC SCREW (QTY 3)			
91	1815817	CONTROL MOUNT PANEL			
101	0130F00038	PRIMARY LIMIT - LT BLUE 120°			
NS	0259F00020	HARNESS, WIRE IGNITOR HYBRID			
NS	0259F00050	KIT, WIRE HYBRID FURN			
NS	B1393802	SUPPORT, 2-WING BOARD, .187 MT (QTY 4)			
NS	B1393803	SUPPORT, SINGLE-WING BOARD (.1			
NS	0259F00073	WIRE HARNESS ASSY			

Expanded Model Nomenclature

- M1 - GMH80403ANAA
- M2 - GMH80403AXAA
- M3 - GMH80603ANAA
- M4 - GMH80603AXAA
- M5 - GMH80604BNAA
- M6 - GMH80604BXAA
- M7 - GMH80803BNAA
- M8 - GMH80803BXAA
- M9 - GMH80804BNAA
- M10 - GMH80804BXAA
- M11 - GMH80805CNAA
- M12 - GMH80805CXAA
- M13 - GMH81005CNAA
- M14 - GMH81005CXAA
- M15 - GMH81205DNAA
- M16 - GMH81205DXAA