



Air Conditioning & Heating

GMH8/GDH8

MULTI-POSITION, MULTI-SPEED DUAL\$AVER™ GAS FURNACES

80% AFUE

HEATING INPUT:
45,000–140,000 BTU/H

Standard Features

- Dual-diameter tubular heat exchanger
- Two-stage gas valve Dual\$aver™ technology that allows the installer to activate the two-stage valve with the flip of a dipswitch
- 110V Silicon Nitride igniter
- Quiet four-speed direct-drive circulating blower motor
- Furnace control board with self-diagnostics, color-coded low-voltage terminals and provisions for electronic air cleaner and 24-volt humidifiers
- Control board stores the last five diagnostic codes in memory; simple push-button activation outputs the fault history to a flashing red LED
- Low constant fan allows homeowner to activate the low heat speed to efficiently circulate air throughout the home
- Self-adjusting feature automatically adjusts furnace to high- or low-stage operation based on outside temperature without an outdoor temperature sensor

Cabinet Features

- Fully insulated, heavy-gauge steel cabinet with durable baked-enamel finish
- Foil-faced insulation lines the heat exchanger compartment
- Factory-sealed to achieve 2% or less leakage rate at 1.0" water gauge external duct static pressure
- Designed for multi-position installation: upflow, horizontal left or right
- Removable bottom for side or bottom return applications
- Convenient left or right connection for gas/electric service
- Coil and furnace fit flush for most installations



Contents

Nomenclature	2
Product Specifications	3
Dimensions	5
Airflow Data	7
Wiring Diagram	10
Dual\$aver Operation	11
Accessories	12



* Complete warranty details available from you local dealer or at www.goodmanmfg.com. To receive the Lifetime Heat Exchanger Limited Warranty (good for as long as you own your home), 10-Year Unit Replacement Limited Warranty and 10-Year Parts Limited Warranty, online registration must be completed within 60 days of installation. Online registration is not required in California or Québec.



NOMENCLATURE

	G	M	H	8	045	4	B	*	**	
	1	2	3	4,5	6,7,8	9	10	11	12,13	
Brand	G Goodman® Brand or Distinctions™								Revisions	
									Major and Minor Revisions	
Airflow Direction	C Downflow/Horizontal D Dedicated Downflow H High Airflow K Dedicated Upflow M Upflow/Horizontal								NOx	
									N Natural Gas X Low NOx	
Description/Motor	V Two-Stage/Variable-speed H Two-Stage/Multi-speed S Single-Stage/Multi-speed E Two-Stage/EEM Motor								Cabinet Width	
									A 14" B 17½" C 21" D 24½"	
AFUE	95 95% 9 93%+ 8 80%								Maximum CFM @ 0.5" ESP	
									3 1200 4 1600 5 2000	
									MBTU/h	
									040: 45,000 100: 115,000 060: 70,000 120: 140,000 080: 90,000	



SPECIFICATIONS — GMH8

	GMH8 0403A**	GMH8 0603A**	GMH8 0604B**	GMH8 0803B**	GMH8 0804B**	GMH8 0805C**	GMH8 1005C**	GMH8 1205D**
HEATING CAPACITY								
Input ¹	45,000	70,000	70,000	90,000	90,000	90,000	115,000	140,000
Natural Gas Output ¹	36,000	56,000	56,000	72,000	72,000	72,000	92,000	112,000
LP Gas Output ¹	32,000	48,000	48,000	64,000	64,000	64,000	80,000	96,000
AFUE ²	80	80	80	80	80	80	80	80
Available AC @ 0.5" ESP	3	3	4	3	4	5	5	5
Temperature Rise Range (°F)	25 - 55	25 - 55	20 - 50	30 - 60	35 - 65	35 - 65	35 - 65	40 - 70
CIRCULATOR BLOWER								
Size (D x W)	10" x 6"	10" x 6"	10" x 8"	10" x 8"	10" x 8"	10" x 10"	10" x 10"	10" x 10"
Horsepower @1075 RPM	1/3	1/3	1/2	1/3	1/2	1/2	1/2	3/4
Speed	4	4	4	4	4	4	4	4
Vent Diameter ³	4"	4"	4"	4"	4"	4"	4"	4"
No. of Burners	2	3	3	4	4	4	5	6
Disposable Filter Size (in ²)	580	580	770	580	770	960	960	960
ELECTRICAL DATA								
Min. Circuit Ampacity ⁴	8.1	8.1	12.5	8.1	12.5	12.5	12.5	14.7
Max. Overcurrent Device (amps) ⁵	15	15	15	15	15	15	15	15
SHIP WEIGHT (LBS)								
	115	125	136	146	146	154	154	153

¹ Natural Gas BTU/h. For altitudes above 2,000', reduce input rating 4% for each 1,000' above sea level. Low-fire rate is 75% of high-fire rate

² DOE AFUE based upon Isolated Combustion System (ICS)

³ Vent and combustion air diameters may vary depending upon vent length. Refer to the latest editions of the National Fuel Gas Code NFPA 54/ANSI Z223.1 (in the USA) and the Canada National Standard of Canada, CAN/CSA B149.1 and CAN/CSA B142.2 (in Canada).

⁴ Minimum Circuit Ampacity = (1.25 x Circulator Blower Amps) + ID Blower amps. Wire size should be determined in accordance with National Electrical Codes. Extensive wire runs will require larger wire sizes.

⁵ Maximum Overcurrent Protection Device refers to maximum recommended fuse or circuit breaker size. May use fuses or HACR-type circuit breakers of the same size as noted.

NOTES:

- All furnaces are manufactured for use on 115 VAC, 60 Hz, single-phase electrical supply.
- Gas Service Connection 1/2" FPT
- Important: Size fuses and wires properly and make electrical connections in accordance with the National Electrical Code and/or all existing local codes.

SPECIFICATIONS — GDH8

	GDH8 0403A**	GDH8 0603A**	GDH8 0804B**	GDH8 1005C**
HEATING CAPACITY				
Input ¹	45,000	70,000	90,000	115,000
Natural Gas Output ¹	36,000	56,000	72,000	92,000
LP Gas Output ¹	32,000	48,000	64,000	80,000
AFUE ²	80	80	80	80
Temperature Rise Range (°F)	35-65	30-60	35-65	40-70
Available AC @ 0.5" ESP	3	3	4	5
CIRCULATOR BLOWER				
Size (D x W)	10 X 6	10 X 6	10 X 8	10 X 10
Horsepower	1/3	1/3	1/2	3/4
Speed	4	4	4	4
Vent Diameter ³	4	4	4	4
No. of Burners	2	3	4	5
Disposable Filter Size (in ²)	580	580	770	960
ELECTRICAL DATA				
Min. Circuit Ampacity ⁴	8.5	8.5	12.9	12.9
Max. Overcurrent Protection ⁵	15	15	15	15
SHIP WEIGHT (LBS)	120	130	153	175

¹ Natural Gas BTU/h. For altitudes above 2,000', reduce input rating 4% for each 1,000' above sea level. Low-fire rate is 75% of high-fire rate

² DOE AFUE based upon Isolated Combustion System (ICS)

³ Vent and combustion air diameters may vary depending upon vent length. Refer to the latest editions of the National Fuel Gas Code NFPA 54/ANSI Z223.1 (in the USA) and the Canada National Standard of Canada, CAN/CSA B149.1 and CAN/CSA B142.2 (in Canada).

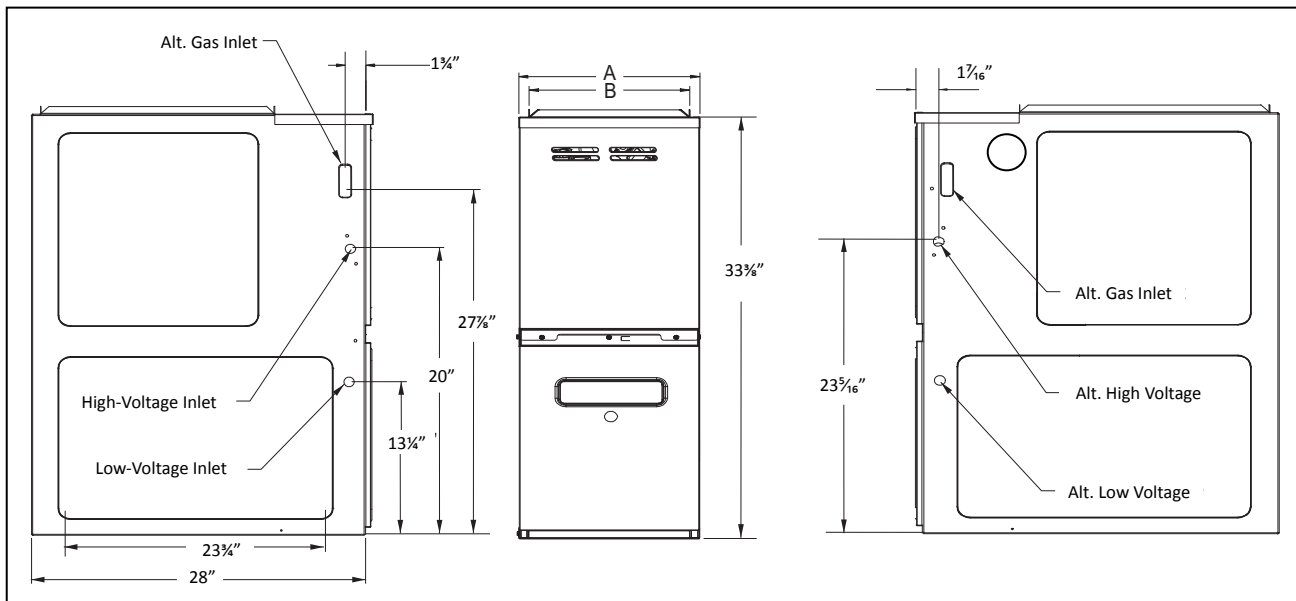
⁴ Minimum Circuit Ampacity = (1.25 x Circulator Blower Amps) + ID Blower amps. Wire size should be determined in accordance with National Electrical Codes. Extensive wire runs will require larger wire sizes.

⁵ Maximum Overcurrent Protection Device refers to maximum recommended fuse or circuit breaker size. May use fuses or HACR-type circuit breakers of the same size as noted.

NOTES:

- All furnaces are manufactured for use on 115 VAC, 60 Hz, single-phase electrical supply.
- Gas Service Connection ½" FPT
- Important: Size fuses and wires properly and make electrical connections in accordance with the National Electrical Code and/or all existing local codes.

GMH8 DIMENSIONS



MODEL	A	B
GMH80403A**	14"	12½"
GMH80603A**	14"	12½"
GMH80604B**	17½"	16"
GMH80803B**	17½"	16"

MODEL	A	B
GMH80804B**	17½"	16"
GMH80805C**	21"	19½"
GMH81005C**	21"	19½"
GMH81205D**	24½"	23"

Notes:

- Line voltage wiring can enter through the right or left side of furnace. Low-voltage wiring can enter through the right or left side of furnace.
- Conversion kits for high-altitude natural gas operation are available. Contact your Goodman distributor or dealer for details.

MINIMUM CLEARANCES TO COMBUSTIBLE MATERIALS

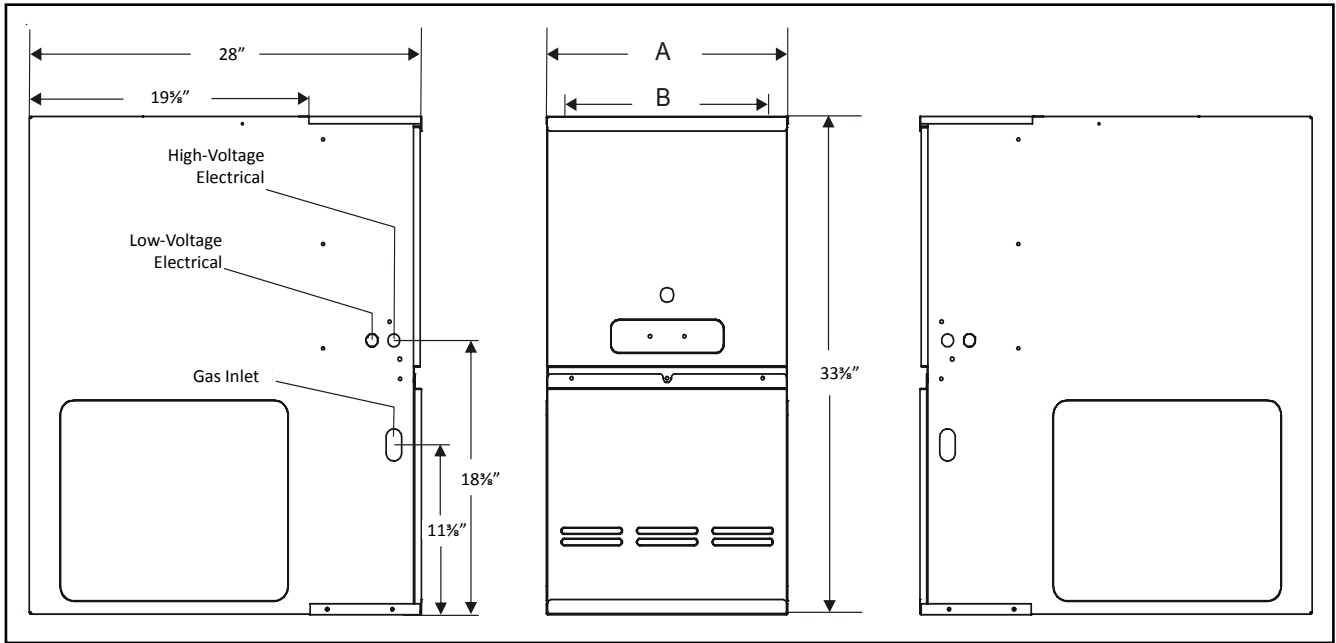
SIDES	REAR	FRONT ¹	VENT ²		TOP
			SW	B	
1"	0"	3"	6"	1"	1"

¹ 24" clearance for serviceability recommended.

² Single Wall Vent (SW) to be used only as a connector. Refer to the latest editions of the National Fuel Gas Code NFPA 54/ANSI Z223.1 (in the USA) and the Canada National Standard of Canada, CAN/CSA B149.1 and CAN/CSA B142.2 (in Canada).

Note: GMH8 approved for line contact in the horizontal position.

GDH8 DIMENSIONS



MODEL	A	B	NON-COMBUSTIBLE FLOOR BASE
GDH80403A**	14"	12½"	SBT14
GDH80603A**	14"	12½"	SBT14
GDH80804B**	17½"	16"	SBT17
GDH81005C**	21"	19½"	SBT21

NOTES:

- Line voltage wiring can enter through the right or left side of furnace. Low-voltage wiring can enter through the right or left side of furnace.
- Conversion kits for high-altitude natural gas operation are available. Contact your Goodman distributor or dealer for details.
- Installer must supply the following gas line fittings, according to which entrance is used:
 - ◊ Left: One 90° street elbow; one 2½" pipe nipple; one 90° elbow; straight pipe; one ground joint union
 - ◊ Right: Straight pipe to reach gas valve

MINIMUM CLEARANCES TO COMBUSTIBLE MATERIALS

SIDES	REAR	FRONT ¹	VENT ²		TOP
			SW	B	
1"	0"	3"	6"	1"	1"

¹ 24" clearance for serviceability recommended.

² Single Wall Vent (SW) to be used only as a connector. Refer to the latest editions of the National Fuel Gas Code NFPA 54/ ANSI Z223.1 (in the USA) and the Canada National Standard of Canada, CAN/CSA B149.1 and CAN/CSA B142.2 (in Canada).

GMH8 AIRFLOW DATA

(CFM & TEMPERATURE RISE VS. EXTERNAL STATIC PRESSURE)															
MODEL ¹	MOTOR SPEED	TONS AC ²	EXTERNAL STATIC PRESSURE, (INCHES WATER COLUMN)												
			0.1		0.2		0.3		0.4		0.5		0.6	0.7	0.8
			CFM	RISE	CFM	RISE	CFM	RISE	CFM	RISE	CFM	RISE	CFM	CFM	CFM
GMH8 0403A** (Medium)	High	3	1,521	22	1,466	23	1,414	24	1,373	24	1,298	26	1,243	1,164	1,075
	Med	2.5	1,160	29	1,160	29	1,132	29	1,121	30	1,082	31	1,042	997	925
	Med-Lo	2	961	35	955	35	948	35	932	36	913	37	882	821	803
	Low	1.5	781	43	785	42	781	43	773	43	761	44	745	716	668
GMH8 0603A** (Medium)	High	3	1,422	36	1,352	38	1,307	40	1,197	43	1,157	45	1,092	1,075	983
	Med	2.5	1,098	47	1,081	48	1,051	49	1,039	50	1,021	51	983	924	868
	Med-Lo	2	919	56	913	57	892	58	847	----	829	----	818	792	728
	Low	1.5	758	----	741	----	741	----	733	----	699	----	677	649	626
GMH8 0604B** (Medium)	High	4	2,134	----	2,100	25	2,042	25	1,975	26	1,883	28	1,786	1,700	1,601
	Med	3.5	1,668	31	1,663	31	1,656	31	1,645	32	1,616	32	1,549	1,492	1,391
	Med-Lo	3	1,419	37	1,426	36	1,426	36	1,432	36	1,419	37	1,378	1,328	1,261
	Low	2.5	1,134	46	1,145	45	1,166	44	1,171	44	1,160	45	1,144	1111	1071
GMH8 0803B** (Medium)	High	3	1,607	41	1,572	42	1,547	43	1,498	45	1,448	46	1,390	1,302	1,222
	Med	2.5	1,159	58	1,156	58	1,145	58	1,127	59	1,108	60	1,075	1,033	957
	Med-Lo	2	938	----	916	----	916	----	900	----	889	----	865	829	785
	Low	1.5	785	----	766	----	743	----	730	----	709	----	683	666	604
GMH8 0804B** (Medium)	High	4	2,051	----	1,983	----	1,895	35	1,812	37	1,725	39	1,627	1,530	1,439
	Med	3.5	1,736	38	1,708	39	1,652	40	1,611	41	1,540	43	1,475	1,394	1,307
	Med-Lo	3	1,493	45	1,668	40	1,459	46	1,429	47	1,389	48	1,339	1,274	1,204
	Low	2.5	1,200	56	1,185	56	1,180	56	1,173	57	1,158	58	1,125	1,125	1080
GMH8 0805C** (Medium)	High	5	2,290	----	2,229	----	2,155	----	2,047	----	1,960	----	1,837	1,712	1,584
	Med	4	1,852	36	1,820	37	1,777	38	1,719	39	1,641	41	1,567	1,469	1,382
	Med-Lo	3.5	1,615	41	1,592	42	1,556	43	1,516	44	1,470	45	1,405	1,346	1,235
	Low	3	1,290	52	1,285	52	1,265	53	1,235	54	1,214	55	1,174	1044	904
GMH8 1005C** (Medium)	High	5	2,323	37	2,225	38	2,120	40	2,040	42	1,974	43	1,801	1,688	1,577
	Med	4	1,858	46	1,847	46	1,799	47	1,744	49	1,674	51	1,577	1,493	1,399
	Med-Lo	3.5	1,596	53	1,587	54	1,571	54	1,552	55	1,493	57	1,397	1,326	1,217
	Low	3	1,291	----	1,272	----	1,261	----	1,257	----	1,205	----	1,168	1118	1060
GMH8 1205D** (Medium)	High	5	2,469	42	2,389	43	2,300	45	2,223	47	2,131	49	2,027	1,902	1,786
	Med	4	1,575	66	1,558	67	1,545	67	1,513	69	1,500	69	1,419	1,354	1,271
	Med-Lo	3.5	1,402	----	1,380	----	1,343	----	1,319	----	1,296	----	1,245	1,183	1,106
	Low	3	1,200	----	1,186	----	1,161	----	1,127	----	1,082	----	1,042	995	926

¹ Heating speed as shipped

² @ 0.5" ESP

NOTES

- CFM in chart is without filter(s). Filters do not ship with this furnace, but must be provided by the installer. If the furnace requires two return filters, this chart assumes both filters are installed.
- All furnaces ship as high-speed cooling and medium-speed heating. Installer must adjust blower cooling and heating speed as needed.
- For most jobs, 400 CFM per ton for cooling is desirable.
- INSTALLATION IS TO BE ADJUSTED TO OBTAIN TEMPERATURE RISE WITHIN THE RANGE SPECIFIED ON THE RATING PLATE.
- This chart is for information only. For satisfactory operation, external static pressure **should** not exceed value shown on the rating plate.
- The dashed (----) areas indicate a temperature rise not recommended for this model.
- The above chart is for U.S. furnaces installed at 0-2000 feet. At higher altitudes, a properly derated unit will have approximately the same temperature rise at a particular CFM, while ESP at the CFM will be lower.

GDH8 AIRFLOW DATA

(CFM & TEMPERATURE RISE VS. EXTERNAL STATIC PRESSURE)															
MODEL ¹	MOTOR SPEED	TONS AC ²	EXTERNAL STATIC PRESSURE, (INCHES WATER COLUMN)												
			0.1		0.2		0.3		0.4		0.5		0.6	0.7	0.8
			CFM	RISE	CFM	RISE	CFM	RISE	CFM	RISE	CFM	RISE	CFM	CFM	CFM
GDH8 0403A** (Med) ²	High	3.0	1,353	25	1,290	26	1,246	27	1,199	28	1,149	29	1,116	1,116	1,099
	Med	2.5	1,183	28	1,113	30	1,098	30	1,052	32	1,039	32	1,006	1,012	969
	Med-Lo	2.0	980	34	946	35	920	36	900	37	896	37	885	855	804
	Low	1.5	778	43	762	44	738	45	746	45	738	45	717	696	678
GDH8 0603A** (Med) ²	High	3.0	1,290	40	1,236	42	1,194	43	1,166	44	1,176	44	1,166	1,108	1,029
	Med	2.5	1,139	46	1,090	48	1,035	50	1,063	49	1,063	49	1020	962	895
	Med-Lo	2.0	962	54	927	56	925	56	941	55	909	57	877	834	779
	Low	1.5	787	66	776	67	763	68	744	70	723	72	690	641	581
GDH8 0804B** (Med) ²	High	4.0	2,128	31	2,063	32	2,001	33	1,927	35	1,824	37	1,726	1,628	1,529
	Med	3.5	1,840	36	1,788	37	1,745	38	1,689	39	1,625	41	1,550	1,470	1,364
	Med-Lo	3.0	1,602	42	1,558	43	1,543	43	1,493	45	1,455	46	1,402	1,328	1,239
	Low	2.5	1,277	52	1,252	53	1,244	54	1,229	54	1,214	55	1,179	1141	1079
GDH8 1005C** (Med) ²	High	5.0	2,405	35	2,361	36	2,250	38	2,161	39	2,037	42	1,937	1,808	1,689
	Med	4.0	1,880	45	1,838	46	1,794	47	1,734	49	1,677	51	1,568	1,510	1,401
	Med-Lo	3.5	1,659	51	1,630	52	1,587	54	1,537	55	1,492	57	1,445	1,368	1,287
	Low	3.0	1,472	58	1,454	59	1,404	61	1,366	62	1,326	64	1300	1228	1139

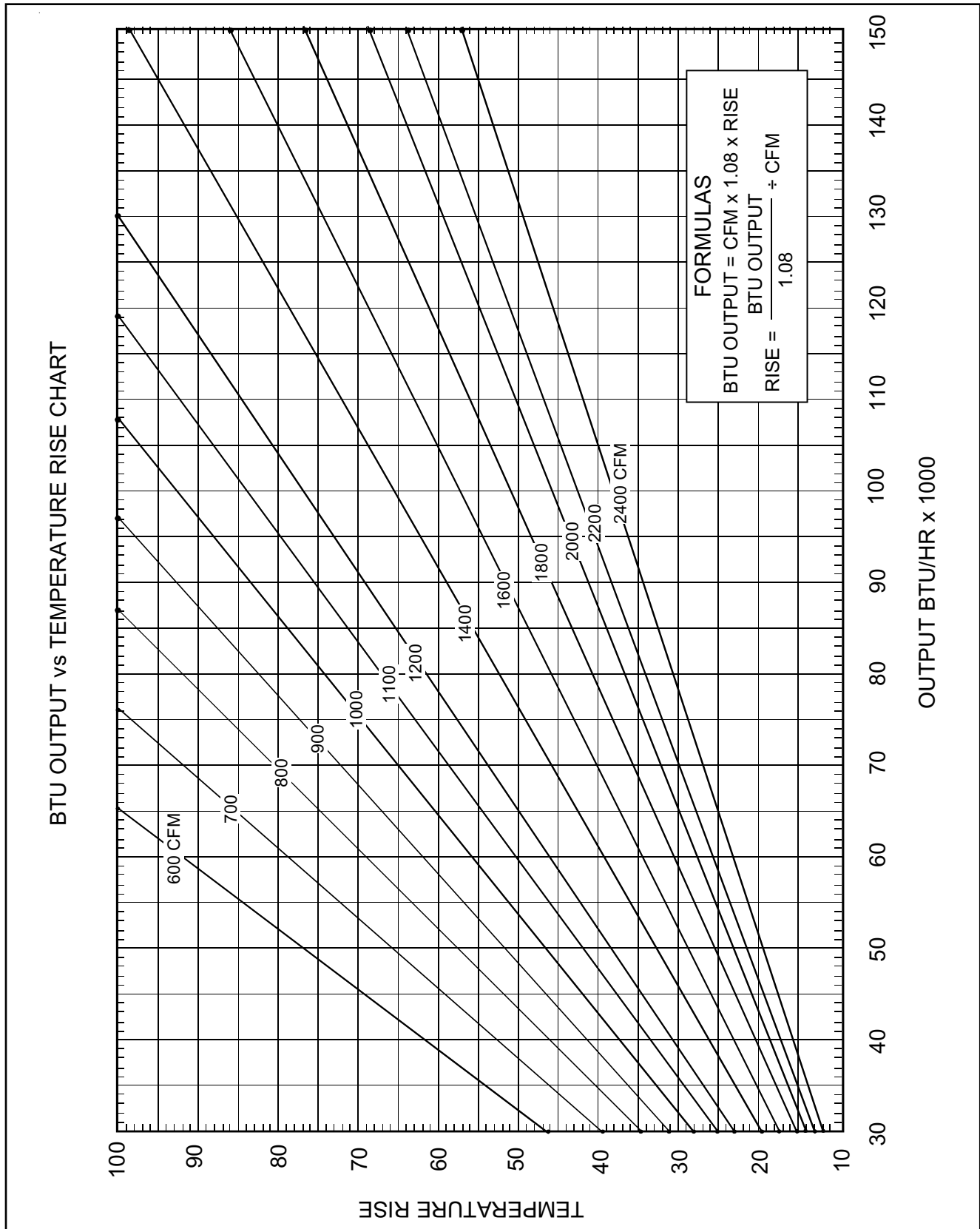
¹ Heating speed as shipped

² @ 0.5" ESP

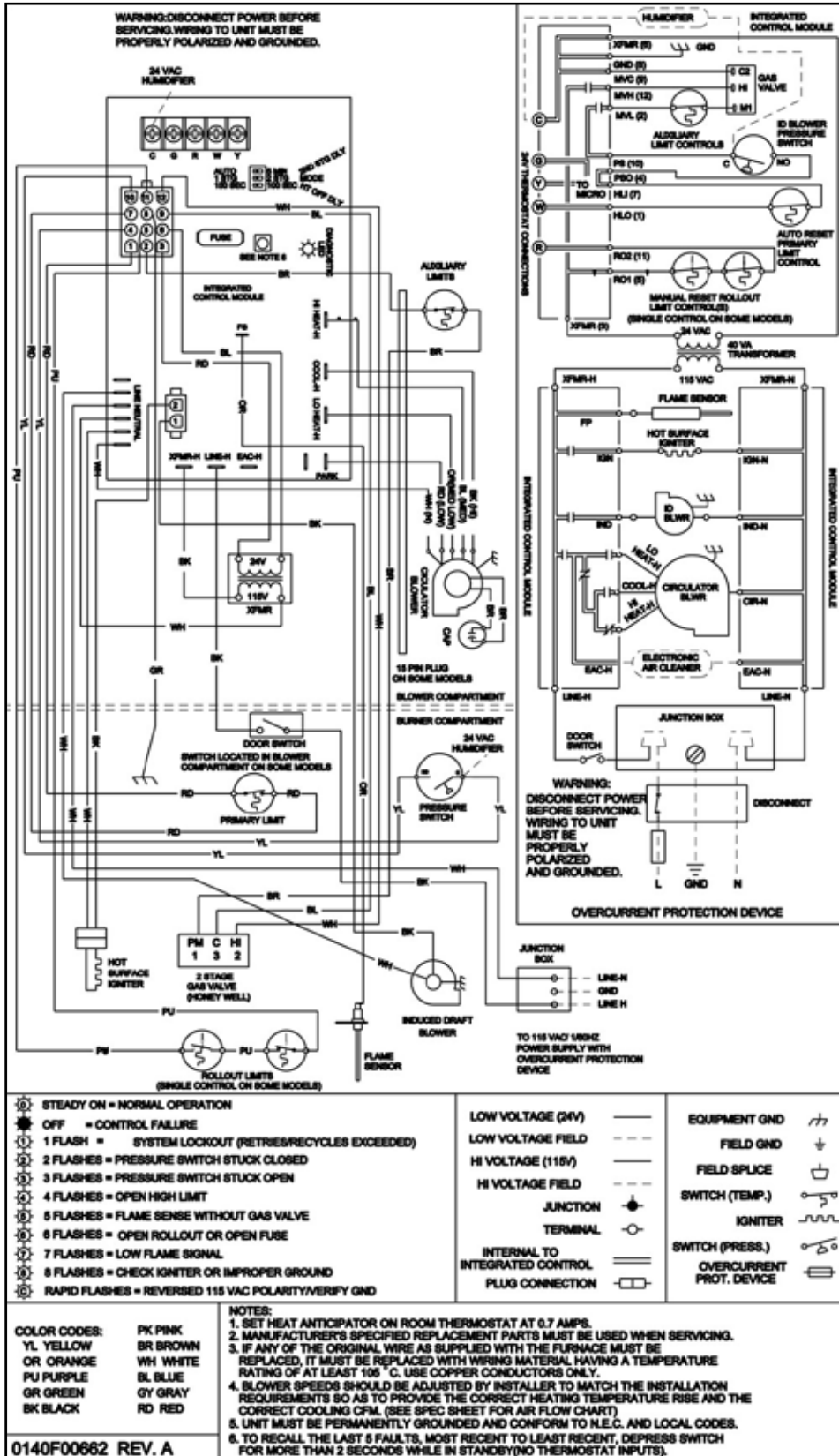
NOTES:

- CFM in chart is without filter(s). Filters do not ship with this furnace, but must be provided by the installer. If the furnace requires two return filters, this chart assumes both filters are installed.
- All furnaces ship as high-speed cooling and medium-speed heating. Installer must adjust blower cooling and heating speed as needed.
- For most jobs, about 400 CFM per ton when cooling is desirable.
- INSTALLATION IS TO BE ADJUSTED TO OBTAIN TEMPERATURE RISE WITHIN THE RANGE SPECIFIED ON THE RATING PLATE.
- This chart is for information only. For satisfactory operation, external static pressure should not exceed value shown on the rating plate.
- The dashed (---) areas indicate a temperature rise not recommended for this model.
- The above chart is for U.S. furnaces installed at 0-2000 feet. At higher altitudes, a properly derated unit will have approximately the same temperature rise at a particular CFM, while ESP at the CFM will be lower.

TEMPERATURE RISE RANGE CHART



WIRING DIAGRAM



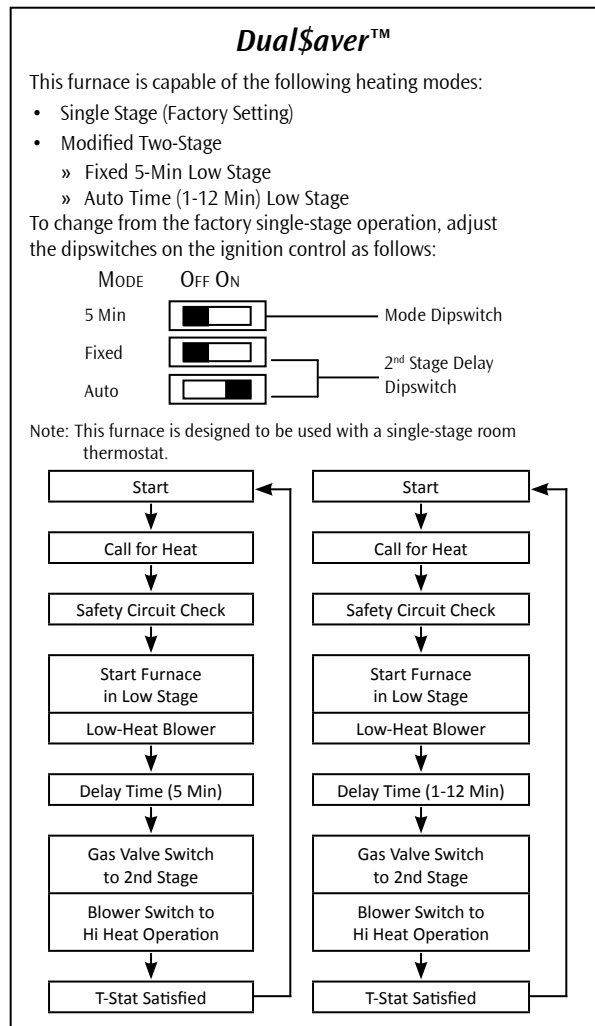
WARNING

⚡

High Voltage: Disconnect all power before servicing or installing this unit. Multiple power sources may be present. Failure to do so may cause property damage, personal injury, or death.

Wiring is subject to change. Always refer to the wiring diagram or the unit for the most up-to-date wiring.

DUAL\$AVER CONFIGURATION & OPERATION



ACCESSORIES

MODEL	DESCRIPTION	GMH8 0403*	GMH8 0603*	GMH8 0604*	GMH8 0803*	GMH8 0804*	GMH8 0805*	GMH8 1005*	GMH8 1205*
LPM-06	LP Conversion Kit (Springs & Orifice) ¹	√	√	√	√	√	√	√	√
HA02	High-Altitude Natural Gas Kit (+7,000')	√	√	√	√	√	√	√	√
FTK04	Twinning Kit	√	√	√	√	√	√	√	√
FSRKA-14/17/21/24	Noise Reduction Kits	√	√	√	√	√	√	√	√
MVK-01 ²	Masonry Vent Kits	√	√	√	√	√	√	√	√
MVK-02 ²	Masonry Vent Kits								√
AFE18-60A	Fossil Fuel Kit	√	√	√	√	√	√	√	√

¹ Honeywell or White-Rodgers valves

² Upflow applications only

MODEL	DESCRIPTION	GDH8 0403*	GDH8 0603*	GDH8 0804*	GDH8 1005*
LPM-06	LP Conversion Kit (Springs & Orifice) ¹	√	√	√	√
HA02	High-Altitude Natural Gas Kit (+7,000')	√	√	√	√
FTK04	Twinning Kit	√	√	√	√
AFE18-60A	Fossil Fuel Kit	√	√	√	√
SBT 14/17/21*	Downflow Sub-base	√	√	√	√

¹ Honeywell or White-Rodgers valves

