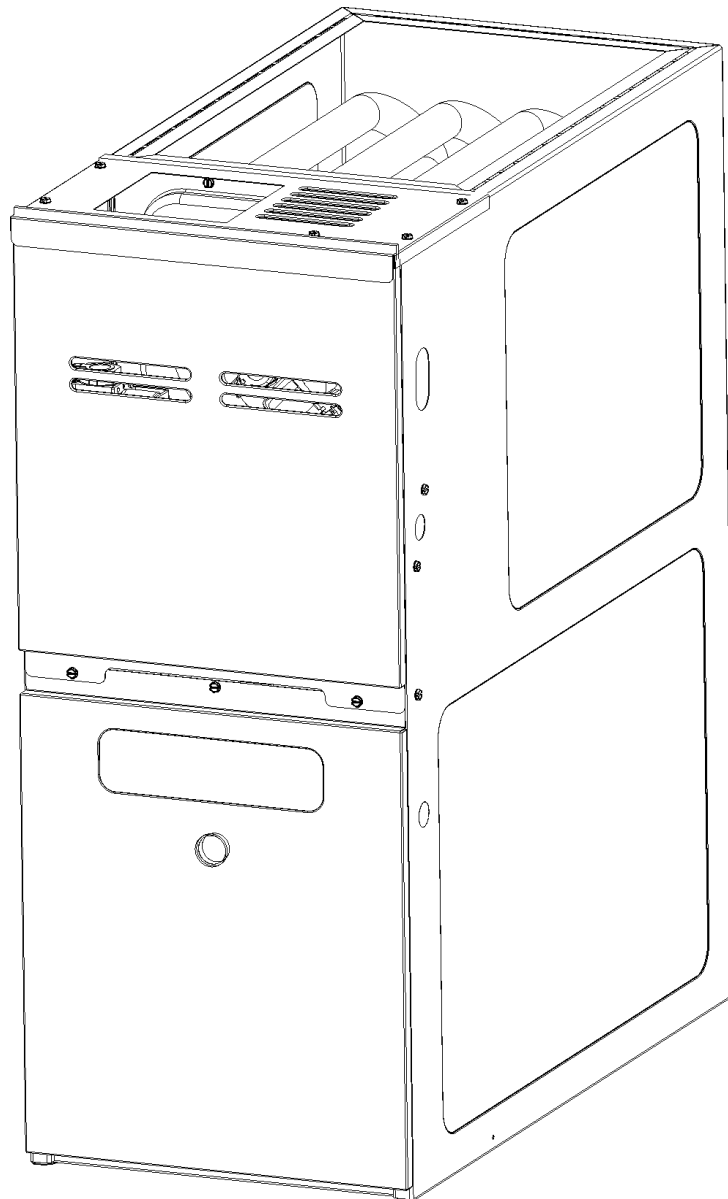


GMS8 80% Single Stage MultiSpeed Furnace

GMS80403ANAA
GMS80403ANBA
GMS80403AXAA
GMS80403AXBA
GMS80603ANAA
GMS80603ANBA
GMS80603AXAA
GMS80603AXBA
GMS80604BNAA
GMS80604BNBA
GMS80604BXAA
GMS80604BXBA
GMS80804BNAA
GMS80804BNBA
GMS80804BXAA
GMS80804BXBA
GMS80805CNAA
GMS80805CNBA
GMS80805CXAA
GMS80805CXBA
GMS81005CNAA
GMS81005CNBA
GMS81005CXAA
GMS81005CXBA
GMS81205DNAA
GMS81205DNBA
GMS81205DXAA
GMS81205DXBA
GMS81405DNCC



This manual is to be used by qualified technicians only.

This manual replaces RP-666.

© 2012-2013 Goodman Manufacturing Company, L.P. ♦ 5151 San Felipe St., Suite 500 ♦ Houston, TX 77056

Important Information

Index

Functional Parts List	3
Illustration and Parts	4 - 11

Views shown are for parts illustrations only, not servicing procedures

12-11-13: Added DY6.186.070 Vento Motor Capacitor

Text Codes:

AR - As Required

NA - Not Available

NS - Not Shown

00000000 - See Note

QTY - Quantity Example (QTY 3) (If Quantity not shown, Quantity = 1)

M - Model Example (M1) (If M Code not shown, then part is used on all Models)

Expanded Model Nomenclature:

Example M1 - Model#1 M2 - Model#2 M3 - Model#3

Goodman Manufacturing Company, L.P. is not responsible for personal injury or property damage resulting from improper service. Review all service information before beginning repairs.

Warranty service must be performed by an authorized technician, using authorized factory parts. If service is required after the warranty expires, Goodman Manufacturing Company, L.P. also recommends contacting an authorized technician and using authorized factory parts.

Goodman Manufacturing Company, L.P. reserves the right to discontinue, or change at any time, specifications or designs without notice or without incurring obligations.

For assistance within the U.S.A. contact:
Consumer Affairs Department
Goodman Manufacturing Company, L.P.
7401 Security Way
Houston, Texas 77040
877-254-4729-Telephone
713-863-2382-Facsimile

For assistance outside the U.S.A. contact:
International Division
Goodman Manufacturing Company, L.P.
7401 Security Way
Houston, Texas 77040
713-861-2500-Telephone
713-863-2382-Facsimile

Functional Parts

Part

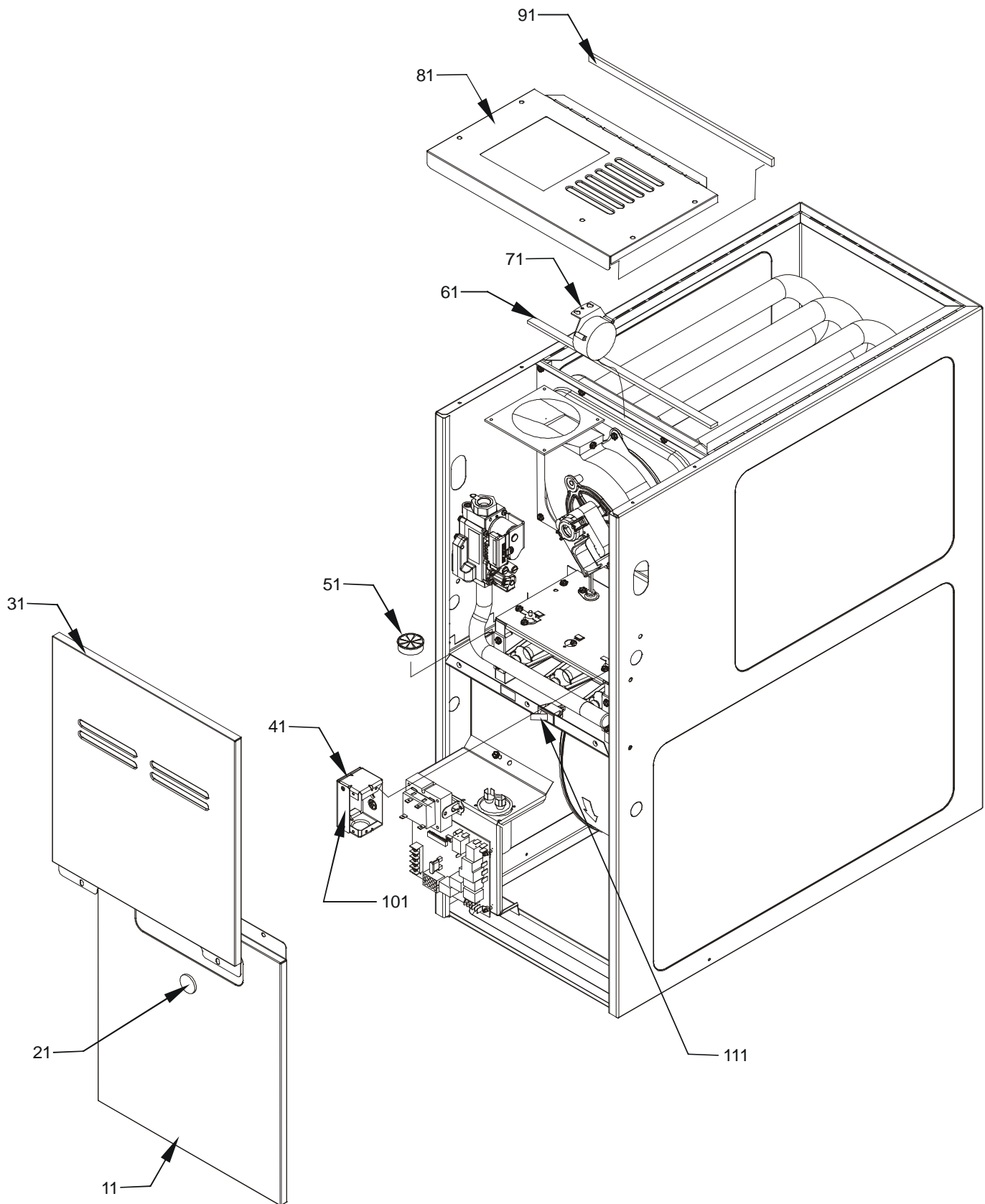
No: **Description:**

Part No:	Description:	Expanded Model Nomenclature
0131F00021	BLOWER MOTOR 1/3HP, 4SP, 6PL (M1, M2, M3, M4, M5, M6, M7, M8)	M1 - GMS80403ANAA
0131F00022	BLOWER MOTOR 1/2 HP, 4 SP, 6 PL (M9, M10, M11, M12, M13, M14, M15, M16, M17, M18, M19, M20, M21, M22, M23, M24)	M2 - GMS80403ANBA
20046618	BLOWER MOTOR 3/4 HP (M25, M26, M27, M28, M29)	M3 - GMS80403AXAA
D6723311	BLOWER WHEEL (M25, M26, M27, M28, M29)	M4 - GMS80403AXBA
B1368047	BLOWER WHEEL 10 X 10 (M17, M18, M19, M20, M21, M22, M23, M24)	M5 - GMS80603ANAA
B1368034	BLOWER WHEEL 10 X 6 (M1, M2, M3, M4, M5, M6, M7, M8)	M6 - GMS80603ANBA
B1368016	BLOWER WHEEL 10 X 8 (M9, M10, M11, M12, M13, M14, M15, M16)	M7 - GMS80603AXAA
CAP125000370RP	CAPACITOR 12.5/370V (M1, M2, M3, M4, M5, M6, M7, M8)	M8 - GMS80603AXBA
CAP200000440RP	CAPACITOR 20/370V (M9, M10, M11, M12, M13, M14, M15, M16, M17, M18, M19, M20, M21, M22, M23, M24)	M9 - GMS80604BNAA
CAP250000370RP	CAPACITOR 25/370V (M25, M26, M27, M28, M29)	M10 - GMS80604BNBA
0130F00010	FLAME SENSOR	M11 - GMS80604BXAA
0151M00013	GAS VALVE (HONEYWELL 1 STG)	M12 - GMS80604BXBA
PCBBF123	IGNITION BOARD, HSI INTEGRATED	M13 - GMS80804BNAA
20165703	IGNITOR	M14 - GMS80804BNBA
B4022700	INSHOT BURNER ASSY 3" (QTY 2)	M15 - GMS80804BXAA
B1370818	INTERLOCK SWITCH	M16 - GMS80804BXBA
20162901	LIMIT (M2, M4)	M17 - GMS80805CNAA
10123529	MANUAL RESET LIMIT (QTY 2)	M18 - GMS80805CNBA
10716003	ORIFICE (M1, M3, M5, M7, M9, M11, M13, M15, M17, M19, M21, M23, M25, M27, M29)	M19 - GMS80805CXAA
0130F00042	PRESSURE SWITCH (M2, M4, M6, M8, M14, M16, M18, M20, M22, M24, M25, M26, M27, M28, M29)	M20 - GMS80805CXBA
0130F00041	PRESSURE SWITCH (M10, M12, M21, M23)	M21 - GMS81005CNAA
B1370179	PRESSURE SWITCH (M9, M11, M13, M15, M17, M19)	M22 - GMS81005CNBA
B1370158	PRESSURE SWITCH -0.70" WC (M1, M3, M5, M7)	M23 - GMS81005CXAA
20162903	PRIMARY LIMIT - BLUE (M13, M15, M18, M20, M25, M26, M27, M28, M29)	M24 - GMS81005CXBA
0130F00038	PRIMARY LIMIT - LT BLUE 120°	M25 - GMS81205DNAA
0130F00036	PRIMARY LIMIT - PINK (M21, M23)	M26 - GMS81205DNBA
0130F00035	PRIMARY LIMIT - PURPLE 220° (M1, M3)	M27 - GMS81205DXAA
20162906	PRIMARY LIMIT - WHITE (M5, M7, M9, M11, M17, M19)	M28 - GMS81205DXBA
20162904	PRIMARY LIMIT-TEMPERATURE CONTROL (M6, M8, M10, M12, M14, M16, M22, M24)	M29 - GMS81405DNCC
0130M00140	TRANSFORMER,(120V TO 24V,40VA,	
0131M00002	VENT MOTOR	
DY6.186.070	VENT MOTOR CAPACITOR	

SPECIAL PARTS

0161F00007 GOODMAN NAMEPLATE

Cabinet



Cabinet

**Ref. Part
No: No:**

Description:

**Ref. Part
No: No:**

Description:

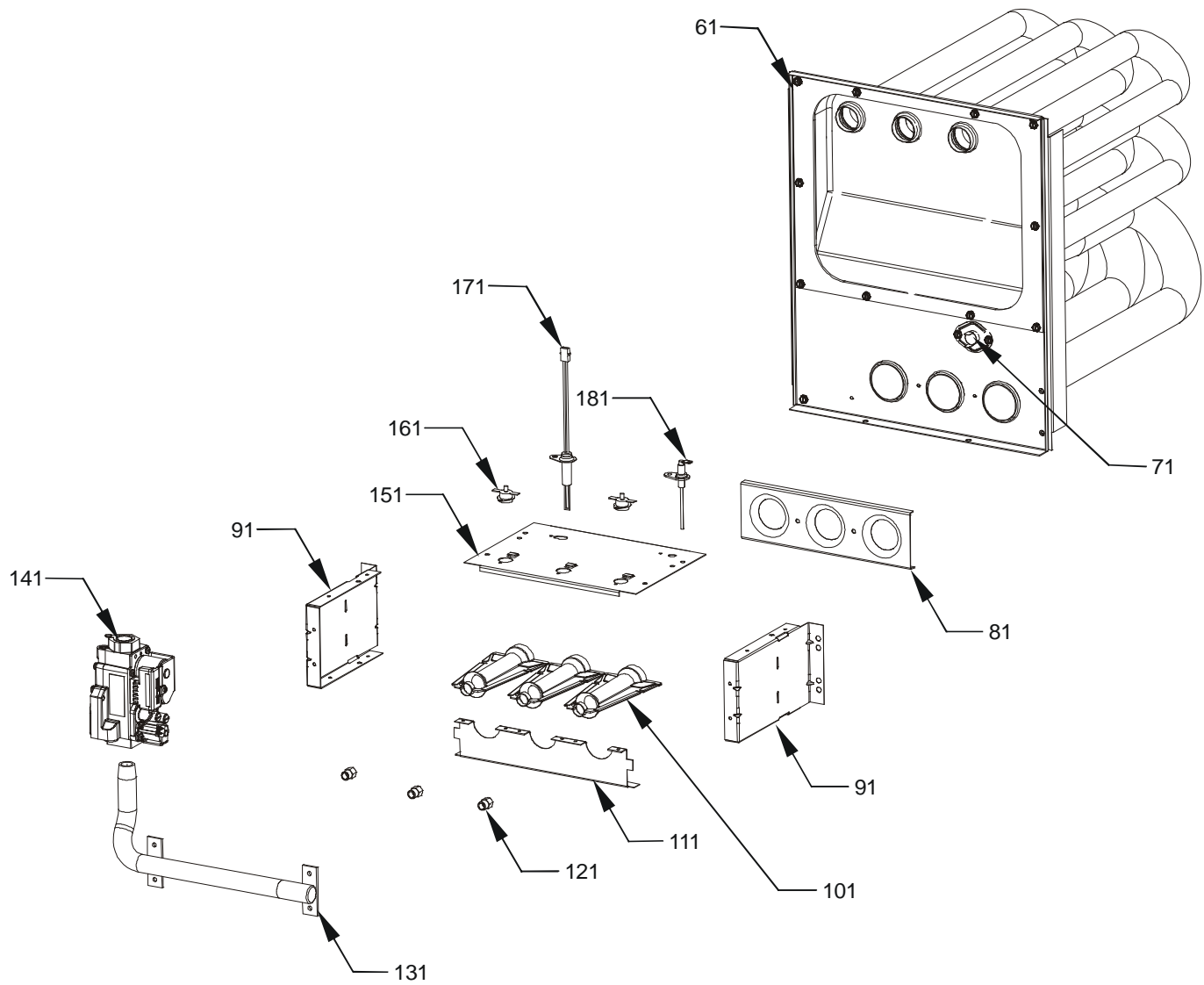
Image 1:

11	0121F00122DG	BLOWER ACCESS DOOR 14" (M1, M2, M3, M4, M5, M6, M7, M8)
11	0121F00123DG	BLOWER ACCESS DOOR 17.5" (M9, M10, M11, M12, M13, M14, M15, M16)
11	0121F00124DG	BLOWER ACCESS DOOR 21" (M17, M18, M19, M20, M21, M22, M23, M24)
11	0121F00125DG	BLOWER ACCESS DOOR 24.5" (M25, M26, M27, M28, M29)
21	B1392139	VIEW PORT BUSHING-BLOWER DOOR
31	0121F00118DG	CONTROL ACCESS DOOR 14" (M1, M2, M3, M4, M5, M6, M7, M8)
31	0121F00119DG	CONTROL ACCESS DOOR 17.5" (M9, M10, M11, M12, M13, M14, M15, M16)
31	0121F00120DG	CONTROL ACCESS DOOR 21" (M17, M18, M19, M20, M21, M22, M23, M24)
31	0121F00121DG	CONTROL ACCESS DOOR 24.5" (M25, M26, M27, M28, M29)
41	4014502	J-BOX
51	B1392147	UNIVERSAL BUSHING WITH SLICE
61	B13926111	SEAL STRIP, 1/8 X 1/2 X 14 (M1, M2, M3, M4, M5, M6, M7, M8)
61	B13926112	SEAL STRIP, 1/8 X 1/2 X 17.5 (M9, M10, M11, M12, M13, M14, M15, M16)
61	B13926113	SEAL STRIP, 1/8 X 1/2 X 21 (M17, M18, M19, M20, M21, M22, M23, M24)
61	B13926114	SEAL STRIP, 1/8 X 1/2 X 24.5 (M25, M26, M27, M28, M29)
71	0130F00041	PRESSURE SWITCH (M10, M12, M21, M23)
71	0130F00042	PRESSURE SWITCH (M2, M4, M6, M8, M14, M16, M18, M20, M22, M24, M25, M26, M27, M28, M29)
71	B1370179	PRESSURE SWITCH (M9, M11, M13, M15, M17, M19)
71	B1370158	PRESSURE SWITCH -0.70" WC (M1, M3, M5, M7)
81	0121F00141DG	TOP 14" (M1, M2, M3, M4, M5, M6, M7, M8)
81	0121F00142DG	TOP 17.5" (M9, M10, M11, M12, M13, M14, M15, M16)
81	0121F00143DG	TOP 21" (M17, M18, M19, M20, M21, M22, M23, M24)
81	0121F00263DG	TOP FURNACE 24.5" (M25, M26, M27, M28, M29)
91	B13926111	SEAL STRIP, 1/8 X 1/2 X 14 (M1, M2, M3, M4, M5, M6, M7, M8)
91	B13926112	SEAL STRIP, 1/8 X 1/2 X 17.5 (M9, M10, M11, M12, M13, M14, M15, M16)
91	B13926113	SEAL STRIP, 1/8 X 1/2 X 21 (M17, M18, M19, M20, M21, M22, M23, M24)
91	B13926114	SEAL STRIP, 1/8 X 1/2 X 24.5 (M25, M26, M27, M28, M29)
101	4015502	J-BOX COVER
111	B1370818	INTERLOCK SWITCH
NS	0259F00054	12-PIN WIRE HARNESS ASSY
NS	0161F00007	GOODMAN NAMEPLATE
NS	0159F00008	IGNITOR WIRE HARNESS ASSY
NS	0270K00015	SOLID BOTTOM 14" CASE (M1, M2, M3, M4, M5, M6, M7, M8)
NS	0270K00016	SOLID BOTTOM 17.5" CASE (M9, M10, M11, M12, M13, M14, M15, M16)
NS	0270K00017	SOLID BOTTOM 21" CASE (M17, M18, M19, M20, M21, M22, M23, M24)
NS	0270K00018	SOLID BOTTOM 24.5" CASE (M25, M26, M27, M28, M29)
NS	0259F00052	WIRE KIT

Expanded Model Nomenclature

M1 - GMS80403ANAA
M2 - GMS80403ANBA
M3 - GMS80403AXAA
M4 - GMS80403AXBA
M5 - GMS80603ANAA
M6 - GMS80603ANBA
M7 - GMS80603AXAA
M8 - GMS80603AXBA
M9 - GMS80604BNAA
M10 - GMS80604BNBA
M11 - GMS80604BXAA
M12 - GMS80604BXBA
M13 - GMS80804BNAA
M14 - GMS80804BNBA
M15 - GMS80804BXAA
M16 - GMS80804BXBA
M17 - GMS80805CNAA
M18 - GMS80805CNBA
M19 - GMS80805CXAA
M20 - GMS80805CXBA
M21 - GMS81005CNAA
M22 - GMS81005CNBA
M23 - GMS81005CXAA
M24 - GMS81005CXBA
M25 - GMS81205DNAA
M26 - GMS81205DNBA
M27 - GMS81205DXAA
M28 - GMS81205DXBA
M29 - GMS81405DNCC

Heat Exchanger Assy



Heat Exchanger Assy

**Ref. Part
No: No:**

Description:

**Ref. Part
No: No:**

Description:

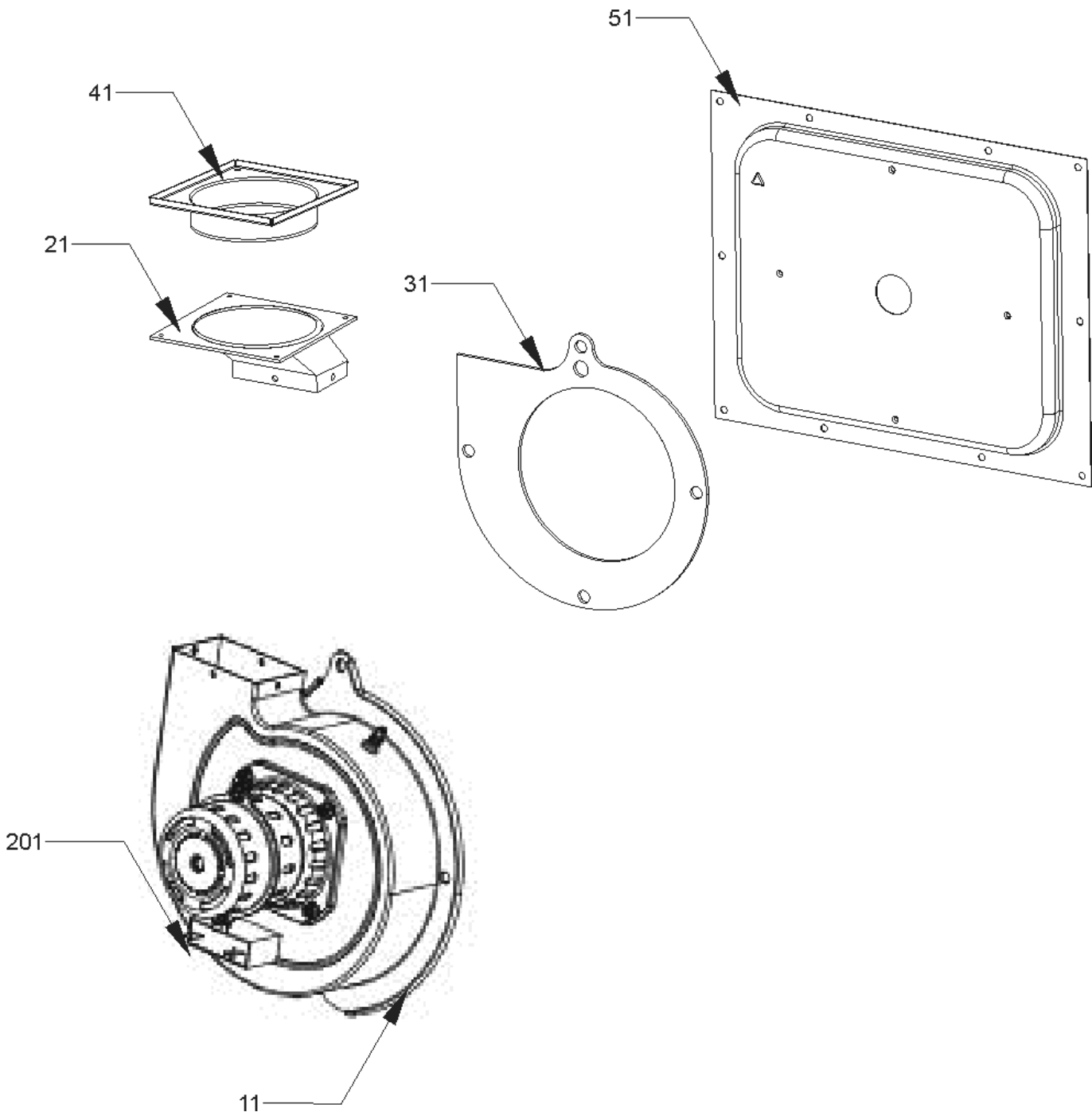
Image 1:

61	0270F00900	HEAT EXCHANGER ASSY (M1, M2, M3, M4)
61	0270F00901	HEAT EXCHANGER ASSY (M5, M6, M7, M8)
61	0270F00902	HEAT EXCHANGER ASSY (M13, M14, M15, M16)
61	0270F00903	HEAT EXCHANGER ASSY (M21, M22, M23, M24)
61	0270F00904	HEAT EXCHANGER ASSY (M25, M26, M27, M28, M29)
61	0270F00929	HEAT EXCHANGER ASSY (M9, M10, M11, M12)
61	0270F00930	HEAT EXCHANGER ASSY (M17, M18, M19, M20)
71	20162901	LIMIT (M2, M4)
71	20162903	PRIMARY LIMIT - BLUE (M13, M15, M18, M20, M25, M26, M27, M28, M29)
71	0130F00036	PRIMARY LIMIT - PINK (M21, M23)
71	0130F00035	PRIMARY LIMIT - PURPLE 220° (M1, M3)
71	20162906	PRIMARY LIMIT - WHITE (M5, M7, M9, M11, M17, M19)
71	20162904	PRIMARY LIMIT-TEMPERATURE CONTROL (M6, M8, M10, M12, M14, M16, M22, M24)
81	4028000	ORIFICE SHIELD 2 CELL (M1, M2, M3, M4)
81	4028001	ORIFICE SHIELD 3 CELL (M5, M6, M7, M8, M9, M10, M11, M12)
81	4028002	ORIFICE SHIELD 4 CELL (M13, M14, M15, M16, M17, M18, M19, M20)
81	4028003	ORIFICE SHIELD 5 CELL (M21, M22, M23, M24)
81	4028004	ORIFICE SHIELD 6 CELL (M25, M26, M27, M28, M29)
91	0121F00146	BURNER BOX SIDE (QTY 2)
101	B4022700	INSHOT BURNER ASSY 3" (QTY 2)
111	0121F00167	BURNER BRACKET 2B (M1, M2, M3, M4)
111	0121F00168	BURNER BRACKET 3B (M5, M6, M7, M8, M9, M10, M11, M12)
111	0121F00169	BURNER BRACKET 4B (M13, M14, M15, M16, M17, M18, M19, M20)
111	0121F00170	BURNER BRACKET 5B (M21, M22, M23, M24)
111	0121F00171	BURNER BRACKET 6B (M25, M26, M27, M28, M29)
121	10716003	ORIFICE (M1, M3, M5, M7, M9, M11, M13, M15, M17, M19, M21, M23, M25, M27, M29)
131	0120F00006	MANIFOLD (M1, M2, M3, M4)
131	0120F00007	MANIFOLD (M5, M6, M7, M8, M9, M10, M11, M12)
131	0120F00008	MANIFOLD (M13, M14, M15, M16, M17, M18, M19, M20)
131	0120F00009	MANIFOLD (M21, M22, M23, M24)
131	0120F00010	MANIFOLD (M25, M26, M27, M28, M29)
141	0151M00013	GAS VALVE (HONEYWELL 1 STG)
151	0121F00162	BURNER BOX TOP 2 CELL (M1, M2, M3, M4)
151	0121F00163	BURNER BOX TOP 3 CELL (M5, M6, M7, M8, M9, M10, M11, M12)
151	0121F00164	BURNER BOX TOP 4 CELL (M13, M14, M15, M16, M17, M18, M19, M20)
151	0121F00165	BURNER BOX TOP 5 CELL (M21, M22, M23, M24)
151	0121F00166	BURNER BOX TOP 6 CELL (M25, M26, M27, M28, M29)
161	10123529	MANUAL RESET LIMIT (QTY 2)
171	20165703	IGNITOR
181	0130F00010	FLAME SENSOR

Expanded Model Nomenclature

M1 - GMS80403ANAA
M2 - GMS80403ANBA
M3 - GMS80403AXAA
M4 - GMS80403AXBAA
M5 - GMS80603ANAA
M6 - GMS80603ANBA
M7 - GMS80603AXAA
M8 - GMS80603AXBAA
M9 - GMS80604BNAA
M10 - GMS80604BNBA
M11 - GMS80604BXAA
M12 - GMS80604BxBAA
M13 - GMS80804BNAA
M14 - GMS80804BNBA
M15 - GMS80804BXAA
M16 - GMS80804BxBAA
M17 - GMS80805CNAA
M18 - GMS80805CNBA
M19 - GMS80805CXAA
M20 - GMS80805CxBAA
M21 - GMS81005CNAA
M22 - GMS81005CNBA
M23 - GMS81005CXAA
M24 - GMS81005CxBAA
M25 - GMS81205DNAA
M26 - GMS81205DNBA
M27 - GMS81205DXAA
M28 - GMS81205DXBAA
M29 - GMS81405DNCC

Collector Box Assy



Collector Box Assy

Ref. Part No:	No:	Description:	Ref. Part No:	No:	Description:
---------------	-----	--------------	---------------	-----	--------------

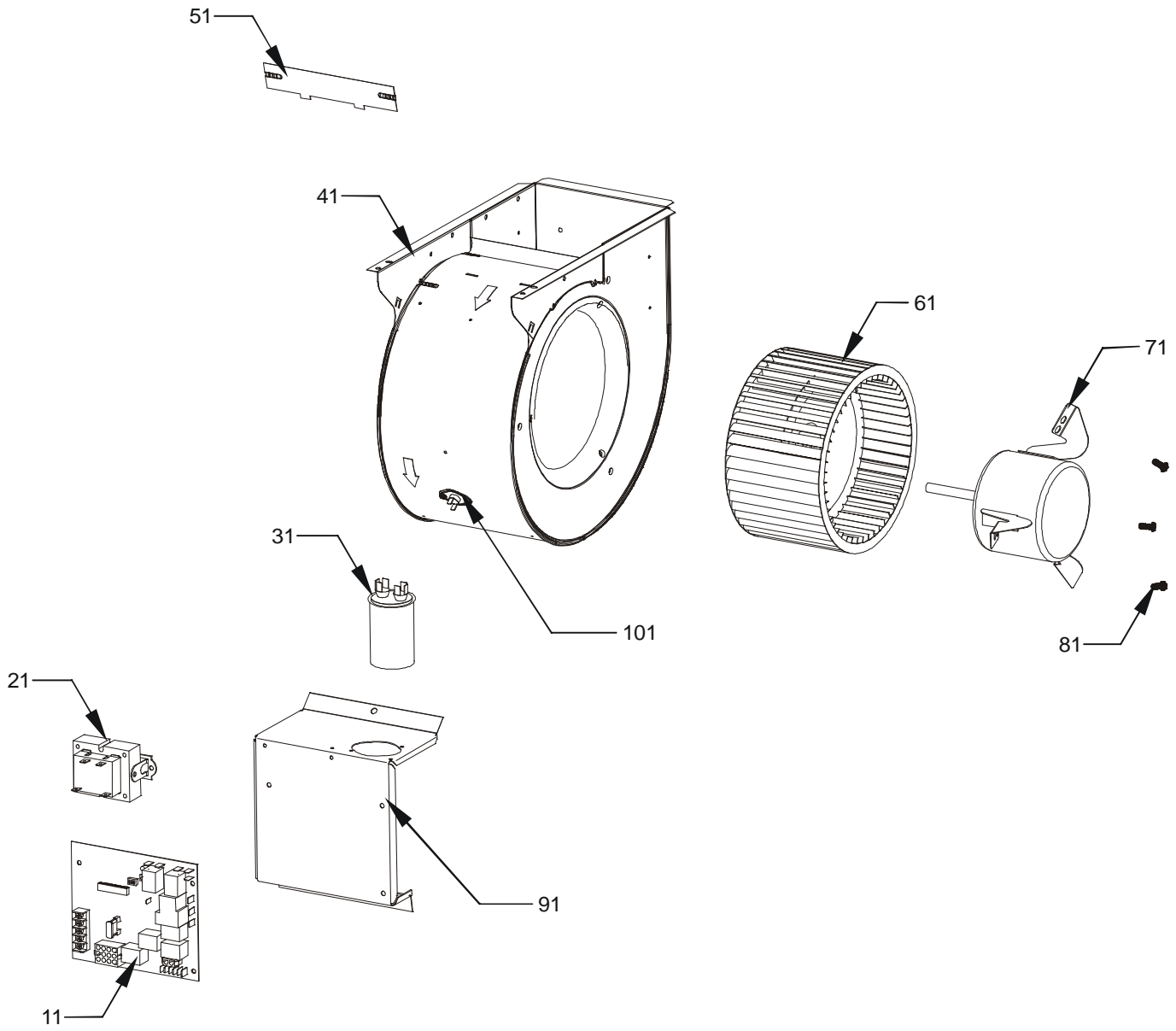
Image 1:

11	0131M00002	VENT MOTOR
21	0128F00006	CHIMNEY TRANSITION BOTTOM
31	0154F00003	VENT MOTOR GASKET 14" (M1, M2, M3, M4, M5, M6, M7, M8)
31	0154F00004	VENT MOTOR GASKET 17.5" (M9, M10, M11, M12, M13, M14, M15, M16)
31	0154F00005	VENT MOTOR GASKET 21" (M17, M18, M19, M20, M21, M22, M23, M24)
31	0154F00006	VENT MOTOR GASKET 24.5" (M25, M26, M27, M28, M29)
41	4023500	CHIMNEY TRANSITION TOP
51	0121F00126	FLUE COLLECTOR BOX KIT 14" 1.25 DIA (M1, M3)
51	0121F00127	FLUE COLLECTOR BOX KIT 14" 2.0 DIA (M5, M7)
51	0121F00128	FLUE COLLECTOR BOX KIT 17.5" 1.75 DIA (M9, M11)
51	0121F00161	FLUE COLLECTOR BOX KIT 17.5" 2.0 DIA (M13, M15)
51	0121F00130	FLUE COLLECTOR BOX KIT 21" 2.25 DIA (M17, M19, M21, M23)
51	0121F00131	FLUE COLLECTOR BOX KIT 24.5" 3.5 DIA (M25, M27, M29)
201	DY6.186.070	VENT MOTOR CAPACITOR

Expanded Model Nomenclature

M1 - GMS80403ANAA
M2 - GMS80403ANBA
M3 - GMS80403AXAA
M4 - GMS80403AXBAA
M5 - GMS80603ANAA
M6 - GMS80603ANBA
M7 - GMS80603AXAA
M8 - GMS80603AXBAA
M9 - GMS80604BNAA
M10 - GMS80604BNBA
M11 - GMS80604BXAA
M12 - GMS80604BXBA
M13 - GMS80804BNAA
M14 - GMS80804BNBA
M15 - GMS80804BXAA
M16 - GMS80804BXBA
M17 - GMS80805CNAA
M18 - GMS80805CNBA
M19 - GMS80805CXAA
M20 - GMS80805CXBA
M21 - GMS81005CNAA
M22 - GMS81005CNBA
M23 - GMS81005CXAA
M24 - GMS81005CXBA
M25 - GMS81205DNAA
M26 - GMS81205DNBA
M27 - GMS81205DXAA
M28 - GMS81205DXBA
M29 - GMS81405DNCC

Blower and Control Panel



Blower and Control Panel

**Ref. Part
No: No:**

Description:

**Ref. Part
No: No:**

Description:

Image 1:

11	PCBBF123	IGNITION BOARD, HSI INTEGRATED
21	0130M00140	TRANSFORMER,(120V TO 24V,40VA,
31	CAP125000370RP	CAPACITOR 12.5/370V (M1, M2, M3, M4, M5, M6, M7, M8)
31	CAP200000440RP	CAPACITOR 20/370V (M9, M10, M11, M12, M13, M14, M15, M16, M17, M18, M19, M20, M21, M22, M23, M24)
31	CAP250000370RP	CAPACITOR 25/370V (M25, M26, M27, M28, M29)
41	2539307	BLOWER HOUSING 10 X 10 (M17, M18, M19, M20, M21, M22, M23, M24, M25, M26, M27, M28, M29)
41	2539305	BLOWER HOUSING 10 X 6 (M1, M2, M3, M4, M5, M6, M7, M8)
41	2539306	BLOWER HOUSING 10 X 8 (M9, M10, M11, M12, M13, M14, M15, M16)
51	764741F	BLOWER BLOCK-OFF 10 X 10 (M17, M18, M19, M20, M21, M22, M23, M24, M25, M26, M27, M28, M29)
51	764740	BLOWER BLOCK-OFF 10 X 8 (M9, M10, M11, M12, M13, M14, M15, M16)
51	764739	BLOWER CUT-OFF 10 X 6 (M1, M2, M3, M4, M5, M6, M7, M8)
61	D6723311	BLOWER WHEEL (M25, M26, M27, M28, M29)
61	B1368047	BLOWER WHEEL 10 X 10 (M17, M18, M19, M20, M21, M22, M23, M24)
61	B1368034	BLOWER WHEEL 10 X 6 (M1, M2, M3, M4, M5, M6, M7, M8)
61	B1368016	BLOWER WHEEL 10 X 8 (M9, M10, M11, M12, M13, M14, M15, M16)
71	0131F00021	BLOWER MOTOR 1/3HP, 4SP, 6PL (M1, M2, M3, M4, M5, M6, M7, M8)
71	0131F00022	BLOWER MOTOR 1/2 HP, 4 SP, 6 PL (M9, M10, M11, M12, M13, M14, M15, M16, M17, M18, M19, M20, M21, M22, M23, M24)
71	20046618	BLOWER MOTOR 3/4 HP (M25, M26, M27, M28, M29)
81	M0250558	TC SCREW (QTY 3)
91	1815817	CONTROL MOUNT PANEL
101	0130F00038	PRIMARY LIMIT - LT BLUE 120°

Expanded Model Nomenclature

M1 - GMS80403ANAA
M2 - GMS80403ANBA
M3 - GMS80403AXAA
M4 - GMS80403AXBA
M5 - GMS80603ANAA
M6 - GMS80603ANBA
M7 - GMS80603AXAA
M8 - GMS80603AXBA
M9 - GMS80604BNAA
M10 - GMS80604BNBA
M11 - GMS80604BXAA
M12 - GMS80604BXBA
M13 - GMS80804BNAA
M14 - GMS80804BNBA
M15 - GMS80804BXAA
M16 - GMS80804BXBA
M17 - GMS80805CNAA
M18 - GMS80805CNBA
M19 - GMS80805CXAA
M20 - GMS80805CXBA
M21 - GMS81005CNAA
M22 - GMS81005CNBA
M23 - GMS81005CXAA
M24 - GMS81005CXBA
M25 - GMS81205DNAA
M26 - GMS81205DNBA
M27 - GMS81205DXAA
M28 - GMS81205DXBA
M29 - GMS81405DNCC