



Air Conditioning & Heating

GMS8/GDS8/GHS8

**MULTI-POSITION,
MULTI-SPEED
GAS FURNACES**

80% AFUE

**HEATING INPUT:
45,000–140,000 BTU/H**

Standard Features

- Dual-diameter tubular heat exchanger
- Single-stage combination redundant gas valve
- Norton hot surface mini-igniter
- Quiet multi-speed direct-drive circulator blower motor
- Furnace control board with self-diagnostics and low-voltage terminal block
- Quiet single-speed, induced-draft blower

Cabinet Features

- Foil-faced insulation lines the heat exchanger compartment
- Factory sealed to achieve 2% or less leakage rate at 1.0" water gauge external duct static pressure
- Designed for multi-position installation:
GMS8 and GHS8: upflow, horizontal left or right
GDS8: dedicated downflow
- Coil and furnace fit flush for most installations



Contents

Nomenclature	2
Product Specifications	3
Dimensions	7
Airflow Data	10
Wiring Diagrams	15
Accessories	16



* Complete warranty details available from your local dealer or at www.goodmanmfg.com. To receive the Lifetime Heat Exchanger Limited Warranty (good for as long as you own your home) and 10-Year Parts Limited Warranty, online registration must be completed within 60 days of installation. Online registration is not required in California or Québec.



NOMENCLATURE

	G	M	S	8	045	4	B	*	**	
	1	2	3	4,5	6,7,8	9	10	11	12,13	
Brand	G Goodman® Brand or Distinctions™									Revisions
										Major and Minor Revisions
Airflow Direction	C Downflow/Horizontal D Dedicated Downflow H High Airflow K Dedicated Upflow M Upflow/Horizontal									NOx
										N Natural Gas X Low NOx
Description/Motor	V Two-Stage/Variable-speed H Two-Stage/Multi-speed S Single-Stage/Multi-speed E Two-Stage/EEM Motor									Cabinet Width
										A 14" B 17½" C 21" D 24½"
AFUE	95 95% 9 93%+ 8 80%									Maximum CFM @ 0.5" ESP
										3 1200 4 1600 5 2000
										MBTU/h
										040: 45,000 100: 115,000 060: 70,000 120: 140,000 080: 90,000

GMS8 SPECIFICATIONS

	GMS8 0403A**	GMS8 0453ANC	GMS8 0603A**	GMS8 0604B**	GMS8 0703ANC	GMS8 0704BNC	GMS8 0804B**	GMS8 0805C**
HEATING CAPACITY								
Input ¹	45,000	45,000	70,000	70,000	70,000	70,000	90,000	90,000
Natural Gas Output ¹	36,000	36,000	56,000	56,000	56,000	56,000	72,000	72,000
LP Gas Output ¹	32,000	32,000	48,000	48,000	48,000	48,000	64,000	64,000
AFUE ²	80	80	80	80	80	80	80	80
Available AC @ 0.5" ESP	3	3	3	4	3	4	4	5
Temperature Rise Range (°F)								
CIRCULATOR BLOWER								
Size (D x W)	10" x 6"	10" x 6"	10" x 6"	10" x 8"	10" x 6"	10" x 8"	10" x 8"	10" x 10"
Horsepower @1075 RPM	1/3	1/3	1/3	1/2	1/3	1/2	1/2	1/2
Speed	4	4	4	4	4	4	4	4
Vent Diameter ³	4"	4"	4"	4"	4"	4"	4"	4"
No. of Burners	2	2	3	3	3	3	4	4
Disposable Filter (in ²)	580	580	580	770	580	770	770	960
ELECTRICAL DATA								
Min. Circuit Ampacity ⁴	8.1	8.1	8.1	12.5	8.1	12.5	12.5	12.5
Max. Overcurrent Device (amps) ⁵	15	15	15	15	15	15	15	15
SHIP WEIGHT (LBS)								
	120	120	130	143	130	143	153	163

All models available in California Low NOx-compliant versions

¹ Natural Gas BTU/h. For altitudes above 2,000', reduce input rating 4% for each 1,000' above sea level.

² DOE AFUE based upon Isolated Combustion System (ICS)

³ Vent diameters may vary depending upon vent length. Refer to the latest editions of the National Fuel Gas Code NFPA 54/ANSI Z223.1 (in the USA) and the Canada National Standard of Canada, CAN/CSA B149.1 and CAN/CSA B142.2 (in Canada).

⁴ Minimum Circuit Ampacity = (1.25 x Circulator Blower Amps) + ID Blower amps. Wire size should be determined in accordance with National Electrical Codes. Extensive wire runs will require larger wire sizes.

⁵ Maximum Overcurrent Protection Device refers to maximum recommended fuse or circuit breaker size. May use fuses or HACR-type circuit breakers of the same size as noted.

NOTES:

- All furnaces are manufactured for use on 115 VAC, 60 Hz, single-phase electrical supply.
- Gas Service Connection 1/2" FPT
- Important: Size fuses and wires properly; make electrical connections in accordance with National Electrical Code and/or all existing local codes.

GMS8 SPECIFICATIONS (CONT.)

	GMS8 0903BNC	GMS8 0904BNC	GMS8 0905CNC	GMS8 1005C**	GMS8 1155CNC	GMS8 1205D**	GMS8 1405DNC
HEATING CAPACITY							
Input ¹	90,000	90,000	90,000	115,000	115,000	140,000	140,000
Natural Gas Output ¹	72,000	72,000	72,000	92,000	92,000	112,000	112,000
LP Gas Output ¹	64,000	64,000	64,000	80,000	80,000	96,000	96,000
AFUE ²	80	80	80	80	80	80	80
Available AC @ 0.5" ESP	3	4	5	5	5	5	5
Temperature Rise Range (°F)							
CIRCULATOR BLOWER							
Size (D x W)	10" x 8"	10" x 8"	10" x 10"	10" x 10"	10" x 10"	11" x 10"	11" x 10"
Horsepower @1075 RPM	½	½	½	½	½	¾	¾
Speed	4	4	4	4	4	4	4
Vent Diameter ³	4"	4"	4"	4"	4"	4"	4"
No. of Burners	4	4	4	5	5	6	6
Disposable Filter (in ²)	580	770	960	960	960	960	960
ELECTRICAL DATA							
Min. Circuit Ampacity ⁴	8.1	12.5	12.5	12.5	12.5	14.7	14.7
Max. Overcurrent Device (amps) ⁵	15	15	15	15	15	15	15
SHIP WEIGHT (LBS)	153	153	163	163	163	173	173

All models available in California Low NOx-compliant versions

¹ Natural Gas BTU/h. For altitudes above 2,000', reduce input rating 4% for each 1,000' above sea level.

² DOE AFUE based upon Isolated Combustion System (ICS)

³ Vent diameters may vary depending upon vent length. Refer to the latest editions of the National Fuel Gas Code NFPA 54/ANSI Z223.1 (in the USA) and the Canada National Standard of Canada, CAN/CSA B149.1 and CAN/CSA B142.2 (in Canada).

⁴ Minimum Circuit Ampacity = (1.25 x Circulator Blower Amps) + ID Blower amps. Wire size should be determined in accordance with National Electrical Codes. Extensive wire runs will require larger wire sizes.

⁵ Maximum Overcurrent Protection Device refers to maximum recommended fuse or circuit breaker size. May use fuses or HACR-type circuit breakers of the same size as noted.

NOTES:

- All furnaces are manufactured for use on 115 VAC, 60 Hz, single-phase electrical supply.
- Gas Service Connection ½" FPT
- Important: Size fuses and wires properly; make electrical connections in accordance with National Electrical Code and/or all existing local codes.

GDS8 SPECIFICATIONS

	GDS8 0403A**	GDS8 0453AXC	GDS8 0603A**	GDS8 0703AXC	GDS8 0804B**	GDS8 0904BXC	GDS8 1005C**	GDS8 1155CXC
HEATING CAPACITY								
Input ¹	45,000	45,000	70,000	70,000	90,000	90,000	115,000	115,000
Natural Gas Output ¹	36,000	36,000	56,000	56,000	72,000	72,000	92,000	92,000
LP Gas Output ¹	32,000	32,000	48,000	48,000	64,000	64,000	80,000	80,000
AFUE ²	80	80	80	80	80	80	80	80
Available AC @ 0.5" ESP	35-65	35-65	30-60	30-60	35-65	35-65	40 - 70	40 - 70
Temperature Rise Range (°F)	3	3	3	3	4	4	5	5
CIRCULATOR BLOWER								
Size (D x W)	10" x 6"	10" x 6"	10" x 6"	10" x 6"	10" x 8"	10" x 8"	10" x 10"	10" x 10"
Horsepower @1075 RPM	1/3	1/3	1/3	1/3	1/2	1/2	3/4	3/4
Speed	4	4	4	4	4	4	4	4
Vent Diameter ³	4"	4"	4"	4"	4"	4"	4"	4"
No. of Burners	2	2	3	3	4	4	5	5
Disposable Filter (in ²)	580	580	580	580	770	770	960	960
ELECTRICAL DATA								
Min. Circuit Ampacity ⁴	8.5	8.5	8.5	8.5	10.5	10.5	10.5	10.5
Max. Overcurrent Device (amps) ⁵	15	15	15	15	15	15	15	15
SHIP WEIGHT (LBS)								
	120	120	130	130	153	153	175	175

All models available in California Low NOx-compliant versions

¹ Natural Gas BTU/h. For altitudes above 2,000', reduce input rating 4% for each 1,000' above sea level.

² DOE AFUE based upon Isolated Combustion System (ICS)

³ Vent diameters may vary depending upon vent length. Refer to the latest editions of the National Fuel Gas Code NFPA 54/ANSI Z223.1 (in the USA) and the Canada National Standard of Canada, CAN/CSA B149.1 and CAN/CSA B142.2 (in Canada).

⁴ Minimum Circuit Ampacity = (1.25 x Circulator Blower Amps) + ID Blower amps. Wire size should be determined in accordance with National Electrical Codes. Extensive wire runs will require larger wire sizes.

⁵ Maximum Overcurrent Protection Device refers to maximum recommended fuse or circuit breaker size. May use fuses or HACR-type circuit breakers of the same size as noted.

NOTES:

- All furnaces are manufactured for use on 115 VAC, 60 Hz, single-phase electrical supply.
- Gas Service Connection ½" FPT
- Important: Size fuses and wires properly; make electrical connections in accordance with National Electrical Code and/or all existing local codes.

GHS8 SPECIFICATIONS

	GHS8 0403A**	GHS8 0453AXC	GHS8 0604B**	GHS8 0704BXC	GHS8 0805C**	GHS8 0905CXC
HEATING CAPACITY						
Input ¹	45,000	45,000	70,000	70,000	90,000	90,000
Natural Gas Output ¹	36,000	36,000	56,000	56,000	72,000	72,000
LP Gas Output ¹	32,000	32,000	48,000	48,000	64,000	64,000
AFUE ²	80	80	80	80	80	80
Available AC @ 0.5" ESP	15 - 45	15 - 45	30-60	30-60	35 - 65	35 - 65
Temperature Rise Range (°F)	3	3	4	4	5	5
CIRCULATOR BLOWER						
Size (D x W)	11" x 6"	11" x 6"	11" x 8"	11" x 8"	11" x 10"	11" x 10"
Horsepower @1075 RPM	1/2	1/2	3/4	3/4	3/4	3/4
Speed	4	4	4	4	4	4
Vent Diameter ³	4"	4"	4"	4"	4"	4"
No. of Burners	2	2	3	3	4	4
Disposable Filter (in ²)	580	580	770	770	960	960
ELECTRICAL DATA						
Min. Circuit Ampacity ⁴	10.5	10.5	13.7	13.7	13.7	13.7
Max. Overcurrent Device (amps) ⁵	15	15	15	15	15	15
SHIP WEIGHT (LBS)						
	120	120	130	130	153	153

All models available in California Low NOx-compliant versions

¹ Natural Gas BTU/h. For altitudes above 2,000', reduce input rating 4% for each 1,000' above sea level.

² DOE AFUE based upon Isolated Combustion System (ICS)

³ Vent diameters may vary depending upon vent length. Refer to the latest editions of the National Fuel Gas Code NFPA 54/ANSI Z223.1 (in the USA) and the Canada National Standard of Canada, CAN/CSA B149.1 and CAN/CSA B142.2 (in Canada).

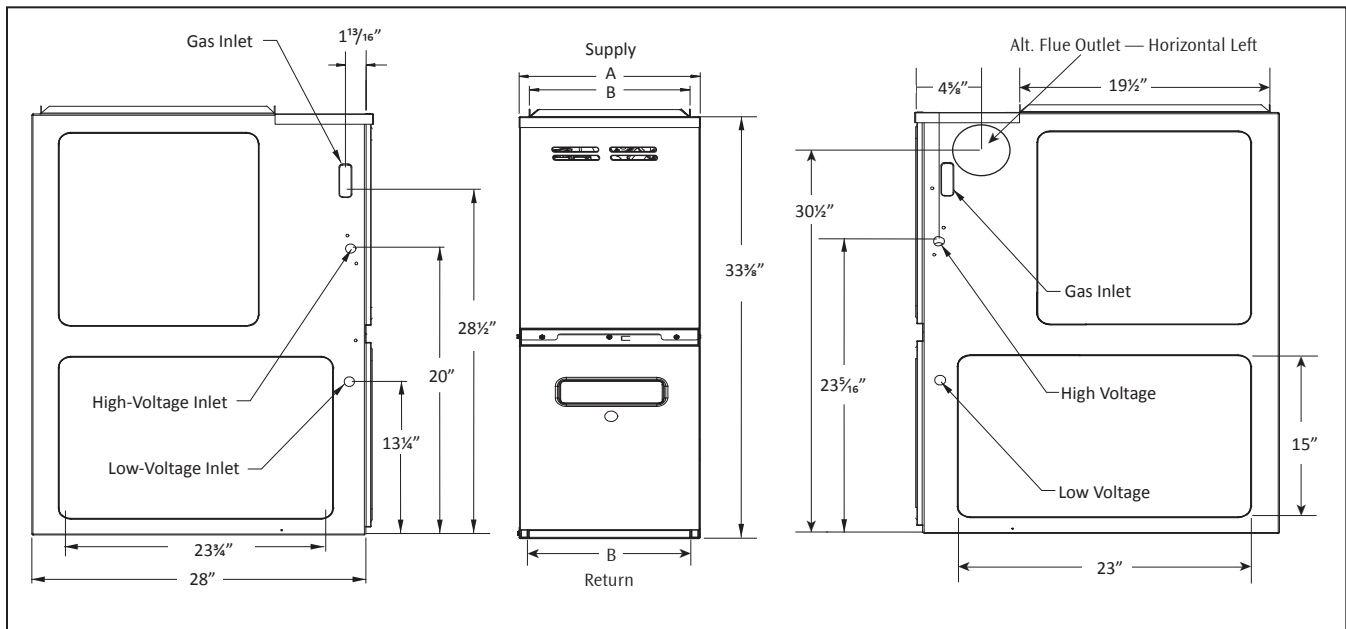
⁴ Minimum Circuit Ampacity = (1.25 x Circulator Blower Amps) + ID Blower amps. Wire size should be determined in accordance with National Electrical Codes. Extensive wire runs will require larger wire sizes.

⁵ Maximum Overcurrent Protection Device refers to maximum recommended fuse or circuit breaker size. May use fuses or HACR-type circuit breakers of the same size as noted.

NOTES:

- All furnaces are manufactured for use on 115 VAC, 60 Hz, single-phase electrical supply.
- Gas Service Connection ½" FPT
- Important: Size fuses and wires properly; make electrical connections in accordance with National Electrical Code and/or all existing local codes.

GMS8 DIMENSIONS



MODEL	A	B
GMS80403A**	14"	12½"
GMS80453ANC	14"	12½"
GMS80603A**	14"	12½"
GMS80604B**	17½"	16"
GMS80804B**	17½"	16"
GMS80703ANC	14"	12½"
GMS80704CNC	17½"	16"

MODEL	A	B
GMS80805C**	21"	19½"
GMS80904CNC	17½"	16"
GMS80905CNC	21"	19½"
GMS81005C**	21"	19½"
GMS81155CNC	21"	19½"
GMS81205D**	24½"	23"
GMS81405DNC	24½"	23"

NOTES

- Line voltage wiring can enter through the right or left side of furnace.
Low-voltage wiring can enter through the right or left side of furnace.
- Conversion kits for high-altitude (7,000+ ft) natural gas operation are available.
Contact your Goodman distributor or dealer for details.

MINIMUM CLEARANCES TO COMBUSTIBLE MATERIALS

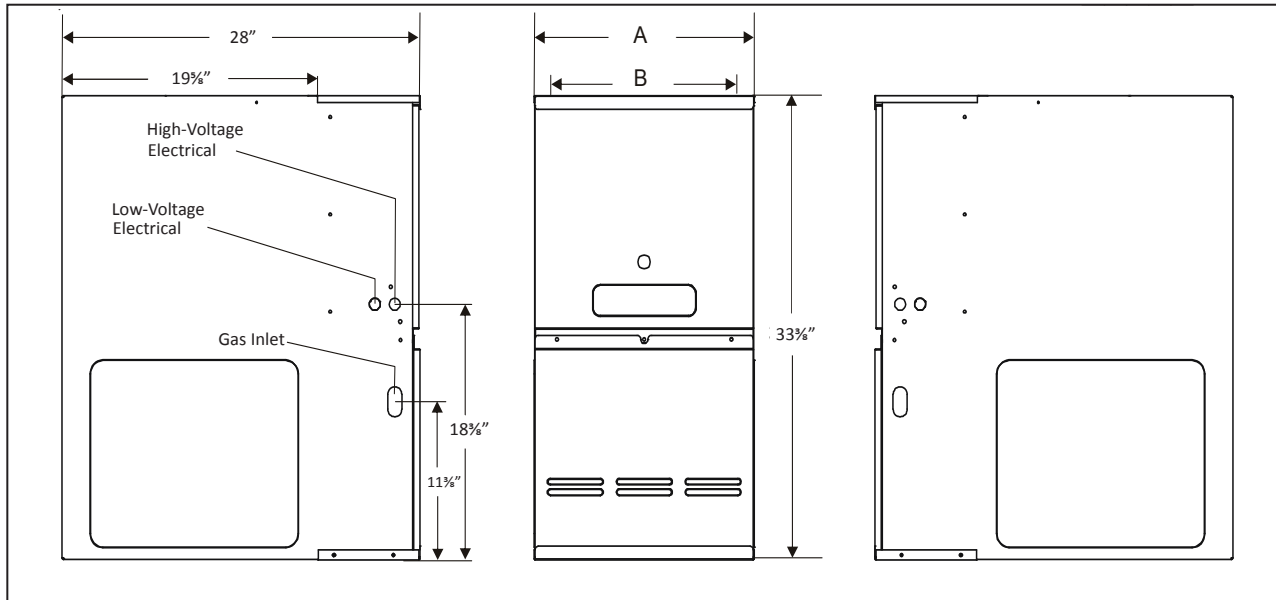
SIDES	REAR	FRONT ¹	VENT ²		TOP
			SW	B	
1"	0"	3"	6"	1"	1"

¹ 24" clearance for serviceability recommended.

² Single Wall Vent (SW) to be used only as a connector. Refer to the latest editions of the National Fuel Gas Code NFPA 54/ ANSI Z223.1 (in the USA) and the Canada National Standard of Canada, CAN/CSA B149.1 and CAN/CSA B142.2 (in Canada).

Note: GMS8 approved for line contact in the horizontal position.

GDS8 DIMENSIONS



MODEL	A	B	NON-COMBUSTIBLE FLOOR BASE
GDS80403A**	14"	12½"	SBT14
GDS80453AXC*	14"	12½"	SBT14
GDS80603A**	14"	12½"	SBT14
GDS80703AXC*	14"	12½"	SBT17
GDS80804B**	17½"	16"	SBT17
GDS80904BXC*	17½"	16"	SBT17
GDS81005C**	21"	19½"	SBT21
GDS81155CXC*	21"	19½"	SBT21

NOTES

- Line voltage wiring can enter through the right or left side of furnace. Low-voltage wiring can enter through the right or left side of furnace.
- Conversion kits for high-altitude (7,000+ ft) natural gas operation are available. Contact your Goodman distributor or dealer for details.

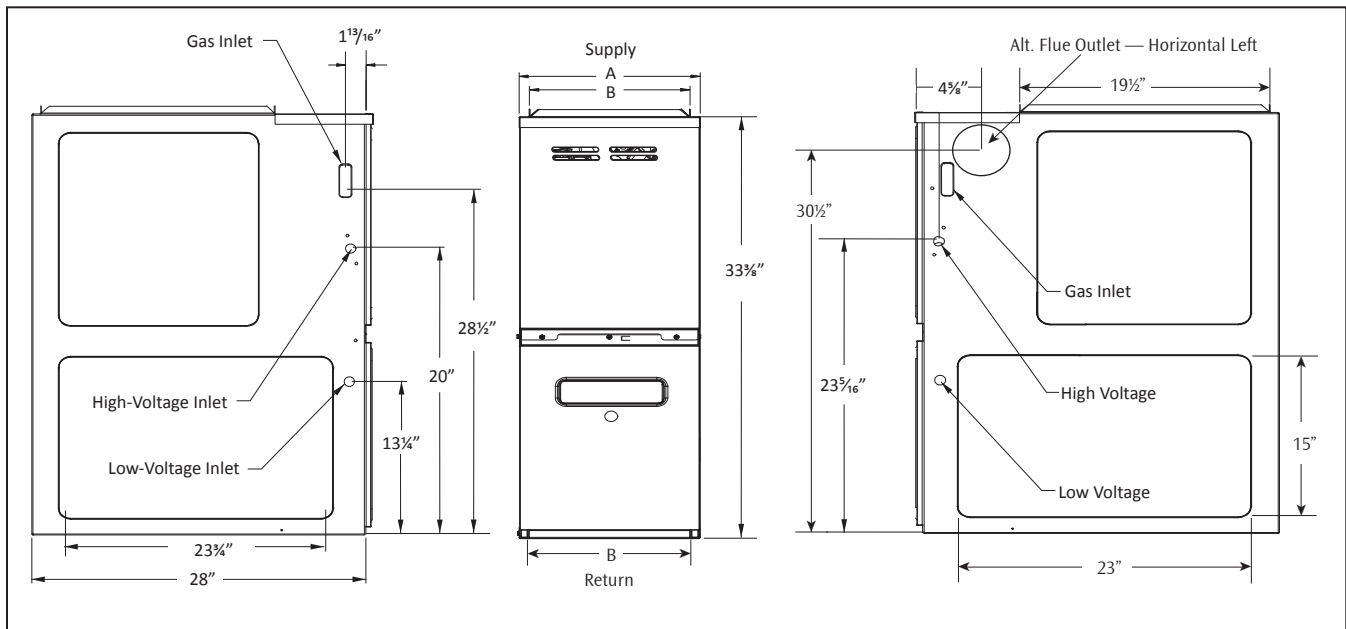
MINIMUM CLEARANCES TO COMBUSTIBLE MATERIALS

SIDES	REAR	FRONT ¹	VENT ²		TOP
			SW	B	
1"	0"	3"	6"	1"	1"

¹ 24" clearance for serviceability recommended.

² Single Wall Vent (SW) to be used only as a connector. Refer to the latest editions of the National Fuel Gas Code NFPA 54/ ANSI Z223.1 (in the USA) and the Canada National Standard of Canada, CAN/CSA B149.1 and CAN/CSA B142.2 (in Canada).

GHS8 DIMENSIONS



MODEL	A	B
GHS80403A**	14"	12 1/2"
GHS80453AXC	14"	12 1/2"
GHS80604B**	17 1/2"	16"
GHS80704BXC	17 1/2"	16"
GHS80805C**	21"	19 1/2"
GHS80905CXC	21"	19 1/2"

NOTES

- Line voltage wiring can enter through the right or left side of furnace.
- Low-voltage wiring can enter through the right or left side of furnace.
- Conversion kits for high-altitude (7,000+ ft) natural gas operation are available. Contact your Goodman distributor or dealer for details.

MINIMUM CLEARANCES TO COMBUSTIBLE MATERIALS

SIDES	REAR	FRONT ¹	VENT ²		TOP
			SW	B	
1"	0"	3"	6"	1"	1"

¹ 24" clearance for serviceability recommended.

² Single Wall Vent (SW) to be used only as a connector. Refer to the latest editions of the National Fuel Gas Code NFPA 54/ ANSI Z223.1 (in the USA) and the Canada National Standard of Canada, CAN/CSA B149.1 and CAN/CSA B142.2 (in Canada).

Note: GHS8 models approved for line contact in the horizontal position.

GMS8 AIRFLOW DATA

CFM & TEMPERATURE RISE VS. EXTERNAL STATIC PRESSURE															
MODEL	MOTOR SPEED	TONS AC ¹	EXTERNAL STATIC PRESSURE, (INCHES WATER COLUMN)												
			0.1		0.2		0.3		0.4		0.5		0.6	0.7	0.8
			CFM	RISE	CFM	RISE	CFM	RISE	CFM	RISE	CFM	RISE	CFM	CFM	CFM
GMS8 0403A**	High	3	1,521	22	1,466	23	1,414	24	1,373	24	1,298	26	1,243	1,164	1,075
	Med	2.5	1,160	29	1,160	29	1,132	29	1,121	30	1,082	31	1,042	997	925
	Med-Lo	2	961	35	955	35	948	35	932	36	913	37	882	821	803
	Low	1.5	781	43	785	42	781	43	773	43	761	44	745	716	668
GMS8 0603A**	High	3	1,422	36	1,352	38	1,307	40	1,197	43	1,157	45	1,092	1,075	983
	Med	2.5	1,098	47	1,081	48	1,051	49	1,039	50	1,021	51	983	924	868
	Med-Lo	2	919	56	913	57	892	58	847	----	829	----	818	792	728
	Low	1.5	758	----	741	----	741	----	733	----	699	----	677	649	626
GMS8 0604B**	High	4	2,134	----	2,100	25	2,042	25	1,975	26	1,883	28	1,786	1,700	1,601
	Med	3.5	1,668	31	1,663	31	1,656	31	1,645	32	1,616	32	1,549	1,492	1,391
	Med-Lo	3	1,419	37	1,426	36	1,426	36	1,432	36	1,419	37	1,378	1,328	1,261
	Low	2.5	1,134	46	1,145	45	1,166	44	1,171	44	1,160	45	1,144	1111	1071
GMS8 0703A**	High	3	1,422	36	1,352	38	1,307	40	1,197	43	1,157	45	1,092	1,075	983
	Med	2.5	1,098	47	1,081	48	1,051	49	1,039	50	1,021	51	983	924	868
	Med-Lo	2	919	56	913	57	892	58	847	----	829	----	818	792	728
	Low	1.5	758	----	741	----	741	----	733	----	699	----	677	649	626
GMS8 0704B**	High	4	2,134	----	2,100	25	2,042	25	1,975	26	1,883	28	1,786	1,700	1,601
	Med	3.5	1,668	31	1,663	31	1,656	31	1,645	32	1,616	32	1,549	1,492	1,391
	Med-Lo	3	1,419	37	1,426	36	1,426	36	1,432	36	1,419	37	1,378	1,328	1,261
	Low	2.5	1,134	46	1,145	45	1,166	44	1,171	44	1,160	45	1,144	1111	1071
GMS8 0804B**	High	4	2,051	----	1,983	----	1,895	35	1,812	37	1,725	39	1,627	1,530	1,439
	Med	3.5	1,736	38	1,708	39	1,652	40	1,611	41	1,540	43	1,475	1,394	1,307
	Med-Lo	3	1,493	45	1,668	40	1,459	46	1,429	47	1,389	48	1,339	1,274	1,204
	Low	2.5	1,200	56	1,185	56	1,180	56	1,173	57	1,158	58	1,125	1,125	1080
GMS8 0805C**	High	5	2,290	----	2,229	----	2,155	----	2,047	----	1,960	----	1,837	1,712	1,584
	Med	4	1,852	36	1,820	37	1,777	38	1,719	39	1,641	41	1,567	1,469	1,382
	Med-Lo	3.5	1,615	41	1,592	42	1,556	43	1,516	44	1,470	45	1,405	1,346	1,235
	Low	3	1,290	52	1,285	52	1,265	53	1,235	54	1,214	55	1,174	1044	904

¹ at 0.5" ESP

Notes:

- CFM in chart is without filter(s). Filters do not ship with this furnace, but must be provided by the installer. If the furnace requires two return filters, this chart assumes both filters are installed.
- All furnaces ship as high-speed cooling and medium-speed heating. Installer must adjust blower cooling and heating speed as needed.
- For most jobs, about 400 CFM per ton when cooling is desirable.
- INSTALLATION IS TO BE ADJUSTED TO OBTAIN TEMPERATURE RISE WITHIN THE RANGE SPECIFIED ON THE RATING PLATE.
- This chart is for information only. For satisfactory operation, external static pressure must not exceed value shown on the rating plate.
- The dashed (----) areas indicate a temperature rise not recommended for this model.
- The above chart is for U.S. furnaces installed at 0-2000 feet. At higher altitudes, a properly derated unit will have approximately the same temperature rise at a particular CFM, while ESP at the CFM will be lower.

GMS8 AIRFLOW DATA (CONT.)

CFM & TEMPERATURE RISE VS. EXTERNAL STATIC PRESSURE															
MODEL	MOTOR SPEED	TONS AC ¹	EXTERNAL STATIC PRESSURE, (INCHES WATER COLUMN)												
			0.1		0.2		0.3		0.4		0.5		0.6	0.7	0.8
			CFM	RISE	CFM	RISE	CFM	RISE	CFM	RISE	CFM	RISE	CFM	CFM	CFM
GMS8 0904B**	High	4	2,051	----	1,983	----	1,895	35	1,812	37	1,725	39	1,627	1,530	1,439
	Med	3.5	1,736	38	1,708	39	1,652	40	1,611	41	1,540	43	1,475	1,394	1,307
	Med-Lo	3	1,493	45	1,668	40	1,459	46	1,429	47	1,389	48	1,339	1,274	1,204
	Low	2.5	1,200	56	1,185	56	1,180	56	1,173	57	1,158	58	1,125	1,125	1080
GMS8 0905C**	High	5	2,290	----	2,229	----	2,155	----	2,047	----	1,960	----	1,837	1,712	1,584
	Med	4	1,852	36	1,820	37	1,777	38	1,719	39	1,641	41	1,567	1,469	1,382
	Med-Lo	3.5	1,615	41	1,592	42	1,556	43	1,516	44	1,470	45	1,405	1,346	1,235
	Low	3	1,290	52	1,285	52	1,265	53	1,235	54	1,214	55	1,174	1044	904
GMS8 1005C**	High	5	2,323	37	2,225	38	2,120	40	2,040	42	1,974	43	1,801	1,688	1,577
	Med	4	1,858	46	1,847	46	1,799	47	1,744	49	1,674	51	1,577	1,493	1,399
	Med-Lo	3.5	1,596	53	1,587	54	1,571	54	1,552	55	1,493	57	1,397	1,326	1,217
	Low	3	1,291	----	1,272	----	1,261	----	1,257	----	1,205	----	1,168	1118	1060
GMS8 1155C**	High	5	2,323	37	2,225	38	2,120	40	2,040	42	1,974	43	1,801	1,688	1,577
	Med	4	1,858	46	1,847	46	1,799	47	1,744	49	1,674	51	1,577	1,493	1,399
	Med-Lo	3.5	1,596	53	1,587	54	1,571	54	1,552	55	1,493	57	1,397	1,326	1,217
	Low	3	1,291	----	1,272	----	1,261	----	1,257	----	1,205	----	1,168	1118	1060
GMS8 1205D**	High	5	2,469	42	2,389	43	2,300	45	2,223	47	2,131	49	2,027	1,902	1,786
	Med	4	1,575	66	1,558	67	1,545	67	1,513	69	1,500	69	1,419	1,354	1,271
	Med-Lo	3.5	1,402	----	1,380	----	1,343	----	1,319	----	1,296	----	1,245	1,183	1,106
	Low	3	1,200	----	1,186	----	1,161	----	1,127	----	1,082	----	1,042	995	926
GMS8 1405D**	High	5	2,469	42	2,389	43	2,300	45	2,223	47	2,131	49	2,027	1,902	1,786
	Med	4	1,575	66	1,558	67	1,545	67	1,513	69	1,500	69	1,419	1,354	1,271
	Med-Lo	3.5	1,402	----	1,380	----	1,343	----	1,319	----	1,296	----	1,245	1,183	1,106

¹ at 0.5" ESP

Notes:

- CFM in chart is without filter(s). Filters do not ship with this furnace, but must be provided by the installer. If the furnace requires two return filters, this chart assumes both filters are installed.
- All furnaces ship as high-speed cooling and medium-speed heating. Installer must adjust blower cooling and heating speed as needed.
- For most jobs, about 400 CFM per ton when cooling is desirable.
- INSTALLATION IS TO BE ADJUSTED TO OBTAIN TEMPERATURE RISE WITHIN THE RANGE SPECIFIED ON THE RATING PLATE.
- This chart is for information only. For satisfactory operation, external static pressure must not exceed value shown on the rating plate.
- The dashed (----) areas indicate a temperature rise not recommended for this model.
- The above chart is for U.S. furnaces installed at 0-2000 feet. At higher altitudes, a properly derated unit will have approximately the same temperature rise at a particular CFM, while ESP at the CFM will be lower.

GDS8 AIRFLOW DATA

CFM & TEMPERATURE RISE VS. EXTERNAL STATIC PRESSURE															
MODEL	MOTOR SPEED	TONS AC ¹	EXTERNAL STATIC PRESSURE, (INCHES WATER COLUMN)												
			0.1		0.2		0.3		0.4		0.5		0.6	0.7	0.8
			CFM	RISE	CFM	RISE	CFM	RISE	CFM	RISE	CFM	RISE	CFM	CFM	CFM
GDS8 0403A**	High	3.0	1,353	25	1,290	26	1,246	27	1,199	28	1,149	29	1,116	1,116	1,099
	Med	2.5	1,183	28	1,113	30	1,098	30	1,052	32	1,039	32	1,006	1,012	969
	Med-Lo	2.0	980	34	946	35	920	36	900	37	896	37	885	855	804
	Low	1.5	778	43	762	44	738	45	746	45	738	45	717	696	678
GDS8 0453AXC	High	3.0	1,353	25	1,290	26	1,246	27	1,199	28	1,149	29	1,116	1,116	1,099
	Med	2.5	1,183	28	1,113	30	1,098	30	1,052	32	1,039	32	1,006	1,012	969
	Med-Lo	2.0	980	34	946	35	920	36	900	37	896	37	885	855	804
	Low	1.5	778	43	762	44	738	45	746	45	738	45	717	696	678
GDS8 0603A**	High	3.0	1,290	40	1,236	42	1,194	43	1,166	44	1,176	44	1,166	1,108	1,029
	Med	2.5	1,139	46	1,090	48	1,035	50	1,063	49	1,063	49	1,020	962	895
	Med-Lo	2.0	962	54	927	56	925	56	941	55	909	57	877	834	779
	Low	1.5	787	66	776	67	763	68	744	70	723	72	690	641	581
GDS8 0703AXC	High	3.0	1,290	40	1,236	42	1,194	43	1,166	44	1,176	44	1,166	1,108	1,029
	Med	2.5	1,139	46	1,090	48	1,035	50	1,063	49	1,063	49	1,020	962	895
	Med-Lo	2.0	962	54	927	56	925	56	941	55	909	57	877	834	779
	Low	1.5	787	66	776	67	763	68	744	70	723	72	690	641	581
GDS8 0804B**	High	4.0	2,128	31	2,063	32	2,001	33	1,927	35	1,824	37	1,726	1,628	1,529
	Med	3.5	1,840	36	1,788	37	1,745	38	1,689	39	1,625	41	1,550	1,470	1,364
	Med-Lo	3.0	1,602	42	1,558	43	1,543	43	1,493	45	1,455	46	1,402	1,328	1,239
	Low	2.5	1,277	52	1,252	53	1,244	54	1,229	54	1,214	55	1,179	1,141	1,079
GDS8 0904BXC	High	4.0	2,128	31	2,063	32	2,001	33	1,927	35	1,824	37	1,726	1,628	1,529
	Med	3.5	1,840	36	1,788	37	1,745	38	1,689	39	1,625	41	1,550	1,470	1,364
	Med-Lo	3.0	1,602	42	1,558	43	1,543	43	1,493	45	1,455	46	1,402	1,328	1,239
	Low	2.5	1,277	52	1,252	53	1,244	54	1,229	54	1,214	55	1,179	1,141	1,079
GDS8 1005C**	High	5.0	2,405	35	2,361	36	2,250	38	2,161	39	2,037	42	1,937	1,808	1,689
	Med	4.0	1,880	45	1,838	46	1,794	47	1,734	49	1,677	51	1,568	1,510	1,401
	Med-Lo	3.5	1,659	51	1,630	52	1,587	54	1,537	55	1,492	57	1,445	1,368	1,287
	Low	3.0	1,472	58	1,454	59	1,404	61	1,366	62	1,326	64	1,300	1,228	1,139
GDS8 1155CXC	High	5.0	2,405	35	2,361	36	2,250	38	2,161	39	2,037	42	1,937	1,808	1,689
	Med	4.0	1,880	45	1,838	46	1,794	47	1,734	49	1,677	51	1,568	1,510	1,401
	Med-Lo	3.5	1,659	51	1,630	52	1,587	54	1,537	55	1,492	57	1,445	1,368	1,287
	Low	3.0	1,472	58	1,454	59	1,404	61	1,366	62	1,326	64	1,300	1,228	1,139

¹ at 0.5" ESP

Notes:

- CFM in chart is without filter(s). Filters do not ship with this furnace, but must be provided by the installer. If the furnace requires two return filters, this chart assumes both filters are installed.
- All furnaces ship as high-speed cooling and medium-speed heating. Installer must adjust blower cooling and heating speed as needed.
- For most jobs, about 400 CFM per ton when cooling is desirable.
- INSTALLATION IS TO BE ADJUSTED TO OBTAIN TEMPERATURE RISE WITHIN THE RANGE SPECIFIED ON THE RATING PLATE.
- This chart is for information only. For satisfactory operation, external static pressure must not exceed value shown on the rating plate.
- The dashed (----) areas indicate a temperature rise not recommended for this model.
- The above chart is for U.S. furnaces installed at 0-2000 feet. At higher altitudes, a properly derated unit will have approximately the same temperature rise at a particular CFM, while ESP at the CFM will be lower.

GHS8 AIRFLOW DATA

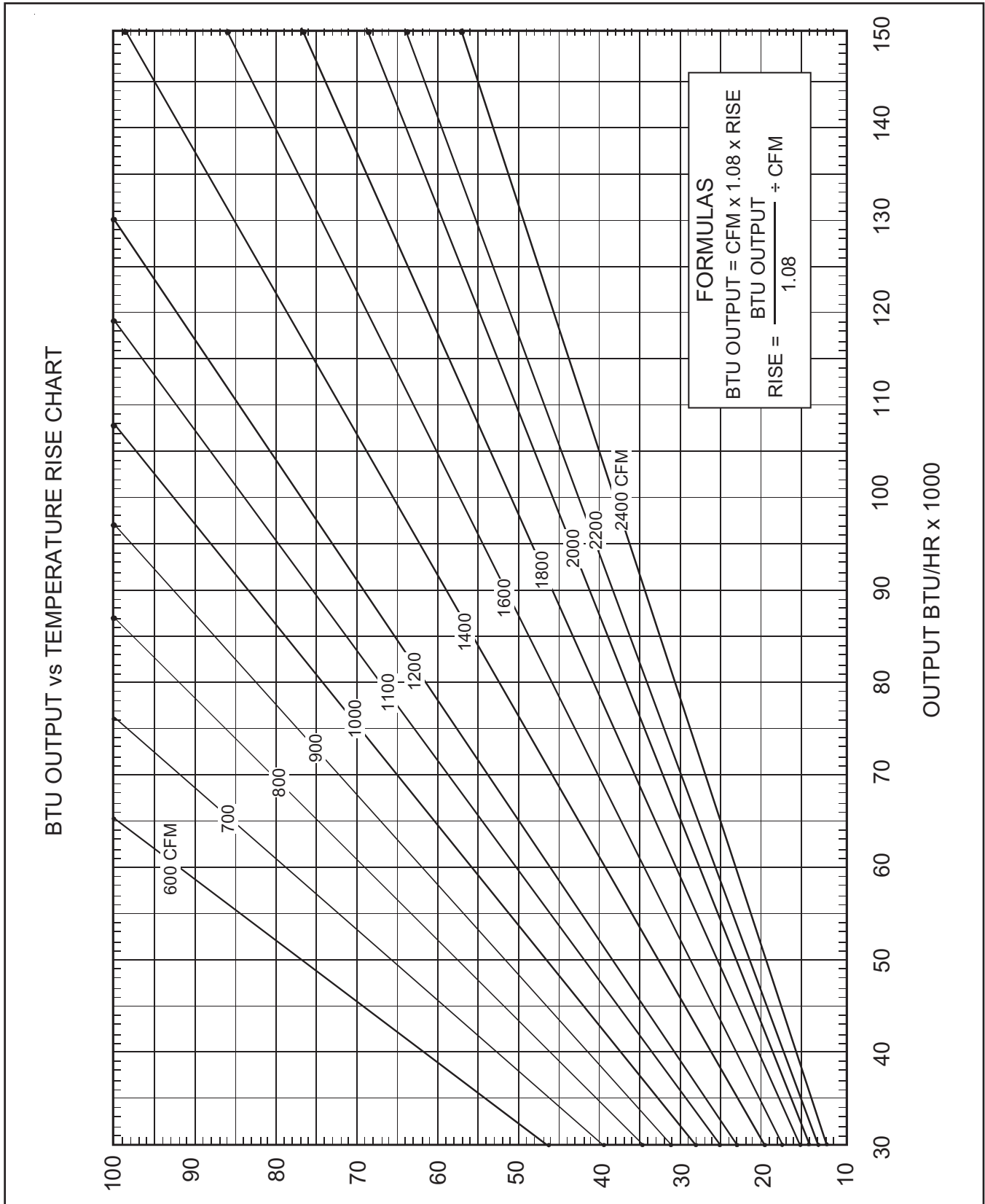
CFM & TEMPERATURE RISE VS. EXTERNAL STATIC PRESSURE															
MODEL	MOTOR SPEED	TONS AC ¹	EXTERNAL STATIC PRESSURE, (INCHES WATER COLUMN)												
			0.1		0.2		0.3		0.4		0.5		0.6	0.7	0.8
			CFM	RISE	CFM	RISE	CFM	RISE	CFM	RISE	CFM	RISE	CFM	CFM	CFM
GHS8 0403A**	High	3.0	1,739	19	1,656	20	1,601	21	1,551	21	1,513	22	1,460	1,413	1,353
	Med	2.5	1,422	23	1,399	24	1,378	24	1,350	25	1,305	26	1,275	1,220	1,178
	Med-Lo	2.0	1,207	28	1,213	27	1,197	28	1,169	29	1,158	29	1,131	1,103	1,068
	Low	1.5	991	34	980	34	958	35	950	35	937	36	924	910	874
GHS8 0453AXC	High	3.0	1,739	19	1,656	20	1,601	21	1,551	21	1,513	22	1,460	1,413	1,353
	Med	2.5	1,422	23	1,399	24	1,378	24	1,350	25	1,305	26	1,275	1,220	1,178
	Med-Lo	2.0	1,207	28	1,213	27	1,197	28	1,169	29	1,158	29	1,131	1,103	1,068
	Low	1.5	991	34	980	34	958	35	950	35	937	36	924	910	874
GHS8 0604B**	High	4.0	2,097	25	2,068	25	2,012	26	1,939	27	1,869	28	1,795	1,718	1,631
	Med	3.5	1,596	32	1,566	33	1,534	34	1,492	35	1,445	36	1,401	1,354	1,288
	Med-Lo	3.0	1,380	38	1,356	38	1,328	39	1,303	40	1,274	41	1,239	1,192	1,127
	Low	3.0	1,239	42	1,191	44	1,165	45	1,133	46	1,104	47	1,082	1,040	996
GHS8 0704BXC	High	4.0	2,097	25	2,068	25	2,012	26	1,939	27	1,869	28	1,795	1,718	1,631
	Med	3.5	1,596	32	1,566	33	1,534	34	1,492	35	1,445	36	1,401	1,354	1,288
	Med-Lo	3.0	1,380	38	1,356	38	1,328	39	1,303	40	1,274	41	1,239	1,192	1,127
	Low	3.0	1,239	42	1,191	44	1,165	45	1,133	46	1,104	47	1,082	1,040	996
GHS8 0805C**	High	5.0	2,382	28	2,315	29	2,234	30	2,158	31	2,078	32	1,971	1,866	1,762
	Med	4.0	1,622	41	1,603	42	1,583	42	1,556	43	1,516	44	1,482	1,422	1,359
	Med-Lo	3.5	1,436	46	1,391	48	1,387	48	1,356	49	1,325	50	1,279	1,239	1,180
	Low	3.0	1,240	54	1,214	55	1,191	56	1,157	58	1,120	60	1,083	1,052	1,025
GHS8 0905CXC	High	5.0	2,382	28	2,315	29	2,234	30	2,158	31	2,078	32	1,971	1,866	1,762
	Med	4.0	1,622	41	1,603	42	1,583	42	1,556	43	1,516	44	1,482	1,422	1,359
	Med-Lo	3.5	1,436	46	1,391	48	1,387	48	1,356	49	1,325	50	1,279	1,239	1,180
	Low	3.0	1,240	54	1,214	55	1,191	56	1,157	58	1,120	60	1,083	1,052	1,025

¹ at 0.5" ESP

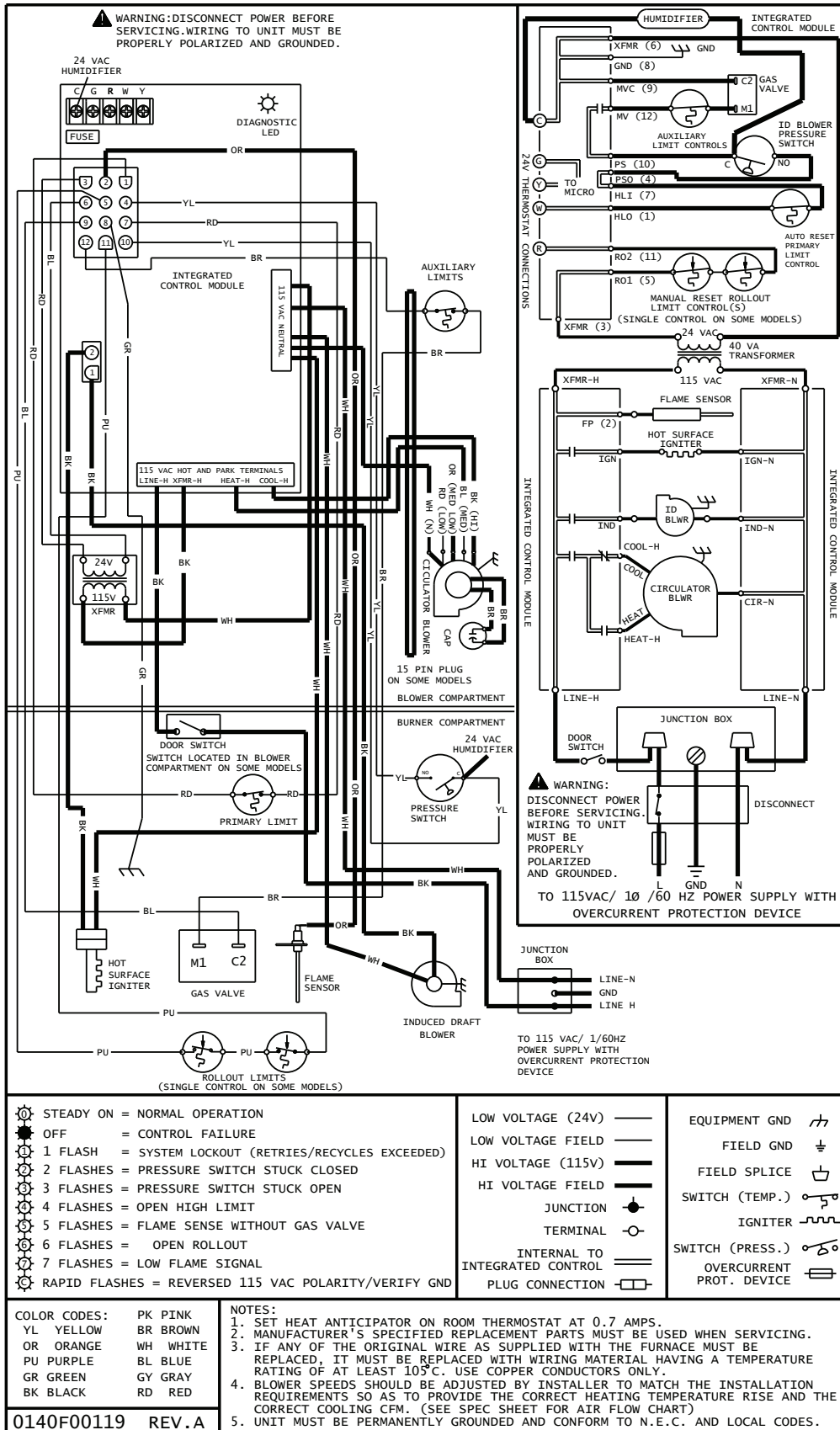
Notes:

- CFM in chart is without filter(s). Filters do not ship with this furnace, but must be provided by the installer. If the furnace requires two return filters, this chart assumes both filters are installed.
- All furnaces ship as high-speed cooling and medium-speed heating. Installer must adjust blower cooling and heating speed as needed.
- For most jobs, about 400 CFM per ton when cooling is desirable.
- INSTALLATION IS TO BE ADJUSTED TO OBTAIN TEMPERATURE RISE WITHIN THE RANGE SPECIFIED ON THE RATING PLATE.
- This chart is for information only. For satisfactory operation, external static pressure must not exceed value shown on the rating plate.
- The dashed (----) areas indicate a temperature rise not recommended for this model.
- The above chart is for U.S. furnaces installed at 0-2000 feet. At higher altitudes, a properly derated unit will have approximately the same temperature rise at a particular CFM, while ESP at the CFM will be lower.

TEMPERATURE RISE RANGE CHART



WIRING DIAGRAM



High Voltage: Disconnect all power before servicing or installing this unit. Multiple power sources may be present. Failure to do so may cause property damage, personal injury, or death.

WARNING

Wiring is subject to change. Always refer to the wiring diagram or the unit for the most up-to-date wiring.

ACCESSORIES

MODEL	DESCRIPTION
LPT-03 ¹	LP Conversion Kit
HA02	High-Altitude Natural Gas Kit (7,000+ ft)
AFE18-60A	Fossil Fuel Kit
MVK-01 ²	Masonry Vent Kit
MVK-02 ²	Masonry Vent Kit (for GMS81205D* only)
FSRKG-14/17/21/23	Noise Reduction Kits
FTK04	Twining Kit

¹ White-Rodgers and Honeywell valves

² Upflow applications only

DOWNFLOW SUB-BASE FOR:

MODEL	DESCRIPTION	GDS8 0403A**	GDS8 0603A**	GDS8 0804B**	GDS8 1005C**
SBT14	14" Furnace	√	√		
SBT17	17½" Furnace			√	
SBT21	21" Furnace				√

