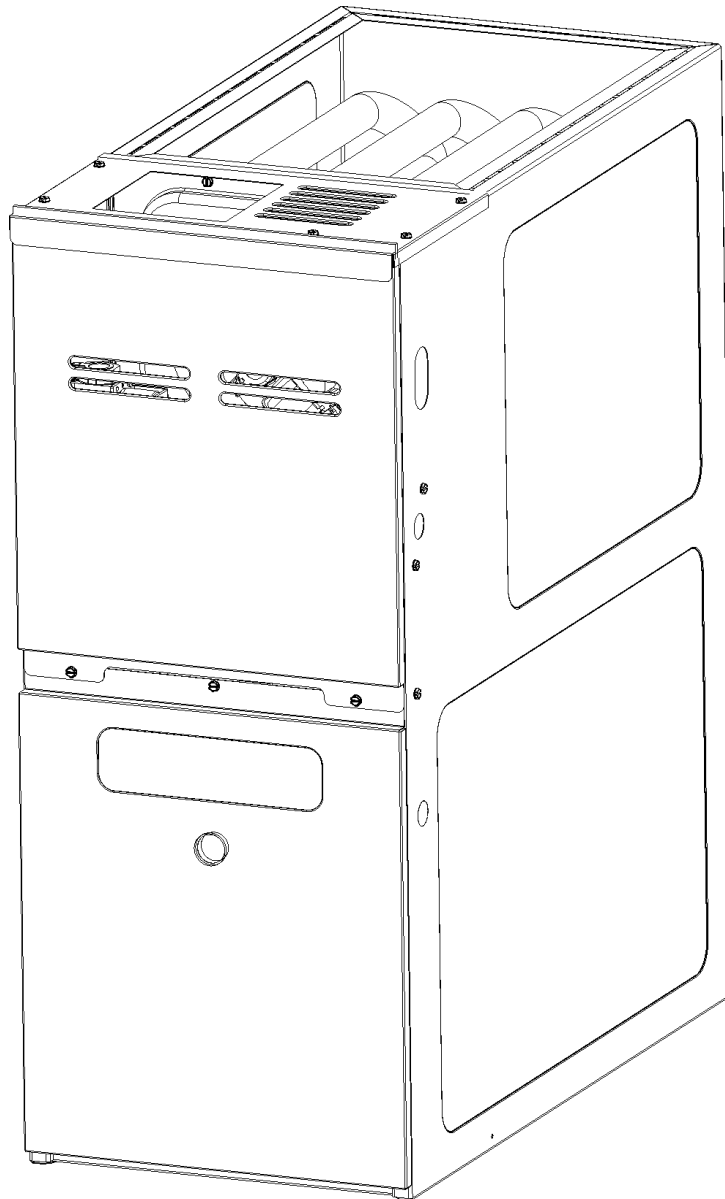


**GMVC 80% Variable Speed Communicating Furnace**

GMVC80604BNAA  
GMVC80604BNBA  
GMVC80604BNBB  
GMVC80604BNBC  
GMVC80604BXAA  
GMVC80604BXBA  
GMVC80604BXBB  
GMVC80604BXBC  
GMVC80805CNAA  
GMVC80805CNBA  
GMVC80805CNBB  
GMVC80805CNBC  
GMVC80805CXAA  
GMVC80805CXBA  
GMVC80805CXBB  
GMVC80805CXBC  
GMVC81005CNAA  
GMVC81005CNBA  
GMVC81005CNBB  
GMVC81005CNBC  
GMVC81005CXAA  
GMVC81005CXBA  
GMVC81005CXBB  
GMVC81005CXBC



This manual is to be used by qualified technicians only.

This manual replaces RP-671C.

# Important Information

---

## Index

Functional Parts List .....	3
Illustration and Parts .....	4 - 9

*Views shown are for parts illustrations only, not servicing procedures*

### Text Codes:

AR - As Required

NA - Not Available

NS - Not Shown

00000000 - See Note

QTY - Quantity Example (QTY 3) (If Quantity not shown, Quantity = 1)

M - Model Example (M1) (If M Code not shown, then part is used on all Models)

### Expanded Model Nomenclature:

Example M1 - Model#1 M2 - Model#2 M3 - Model#3
---

Goodman Manufacturing Company, L.P. is not responsible for personal injury or property damage resulting from improper service. Review all service information before beginning repairs.

Warranty service must be performed by an authorized technician, using authorized factory parts. If service is required after the warranty expires, Goodman Manufacturing Company, L.P. also recommends contacting an authorized technician and using authorized factory parts.

Goodman Manufacturing Company, L.P. reserves the right to discontinue, or change at any time, specifications or designs without notice or without incurring obligations.

For assistance within the U.S.A. contact:  
Consumer Affairs Department  
Goodman Manufacturing Company, L.P.  
7401 Security Way  
Houston, Texas 77040  
877-254-4729-Telephone  
713-863-2382-Facsimile

For assistance outside the U.S.A. contact:  
International Division  
Goodman Manufacturing Company, L.P.  
7401 Security Way  
Houston, Texas 77040  
713-861-2500-Telephone  
713-863-2382-Facsimile

# Functional Parts

**Part No:**            **Description:**

20162904            \*PRIMARY LIMIT-TEMPERATURE CONTROL (M17, M21)  
                          \*Refer to service bulletin SF-054

0130F00050        AIR PRESSURE SWITCH (M9, M13, M17, M21)

0130F00049        AIR PRESSURE SWITCH (M1, M2, M3, M4, M5, M6, M7, M8, M10, M11, M12, M14, M15, M16)

0130F00038        AUX LIMIT - LT BLUE 120°

0130F00217        DATA, FURNACE PCB (M17)

0130F00216        DATA, FURNACE PCB (M9)

0130F00420        DATA, FURNACE PCB (M24)

0130F00218        DATA, FURNACE PCB (M5)

0130F00219        DATA, FURNACE PCB (M13)

0130F00220        DATA, FURNACE PCB (M21)

0130F00233        DATA, FURNACE PCB (M2)

0130F00234        DATA, FURNACE PCB (M10)

0130F00235        DATA, FURNACE PCB (M18)

0130F00236        DATA, FURNACE PCB (M6)

0130F00415        DATA, FURNACE PCB (M4)

0130F00215        DATA, FURNACE PCB (M1)

0130F00237        DATA, FURNACE PCB (M14)

0130F00418        DATA, FURNACE PCB (M16)

0130F00419        DATA, FURNACE PCB (M20)

0130F00416        DATA, FURNACE PCB (M8)

0130F00417        DATA, FURNACE PCB (M12)

0130F00269        DATA, FURNACE PCB (M23)

0130F00268        DATA, FURNACE PCB (M19)

0130F00267        DATA, FURNACE PCB (M15)

0130F00266        DATA, FURNACE PCB (M11)

0130F00265        DATA, FURNACE PCB (M7)

0130F00264        DATA, FURNACE PCB (M3)

0130F00238        DATA, FURNACE PCB (M22)

0130F00010        FLAME SENSOR

0130F00008        IGNITOR-SINI 17 SEC

0130M00141        INDUCTOR, 5.9 AMPS (GMPE100-4)

10690402           INTERLOCK SWITCH

10123529           MANUAL RESET R.O.S. LIMIT (QTY 2)

0131M00271        MOTOR, 3/4 HP, SERIAL ECM

PCBKF102           PCB, CONTROL, FURNACE (M1, M2, M5, M6, M9, M10, M13, M14, M17, M18, M21, M22)

PCBKF104           PCB, CONTROL, FURNACE (M3, M4, M7, M8, M11, M12, M15, M16, M19, M20, M23, M24)

B1370210           PRESSURE SWITCH, PINK (M18, M19, M20, M22, M23, M24)

20162903           PRIMARY LIMIT - BLUE (M1, M5)

0130M00063        PRIMARY LIMIT - GOLD 140° (M2, M3, M4, M6, M7, M8, M9, M10, M11, M12, M13, M14, M15, M16)

20162905           PRIMARY LIMIT-YELLOW (M18, M19, M20, M22, M23, M24)

0130M00140        TRANSFORMER 120V TO 24V, 40VA

0151M00028        VALVE,GAS(HW)VR92

DY6.186.070        VENT MOTOR CAPACITOR

0131M00003P        VENT MOTOR, 2-STAGE

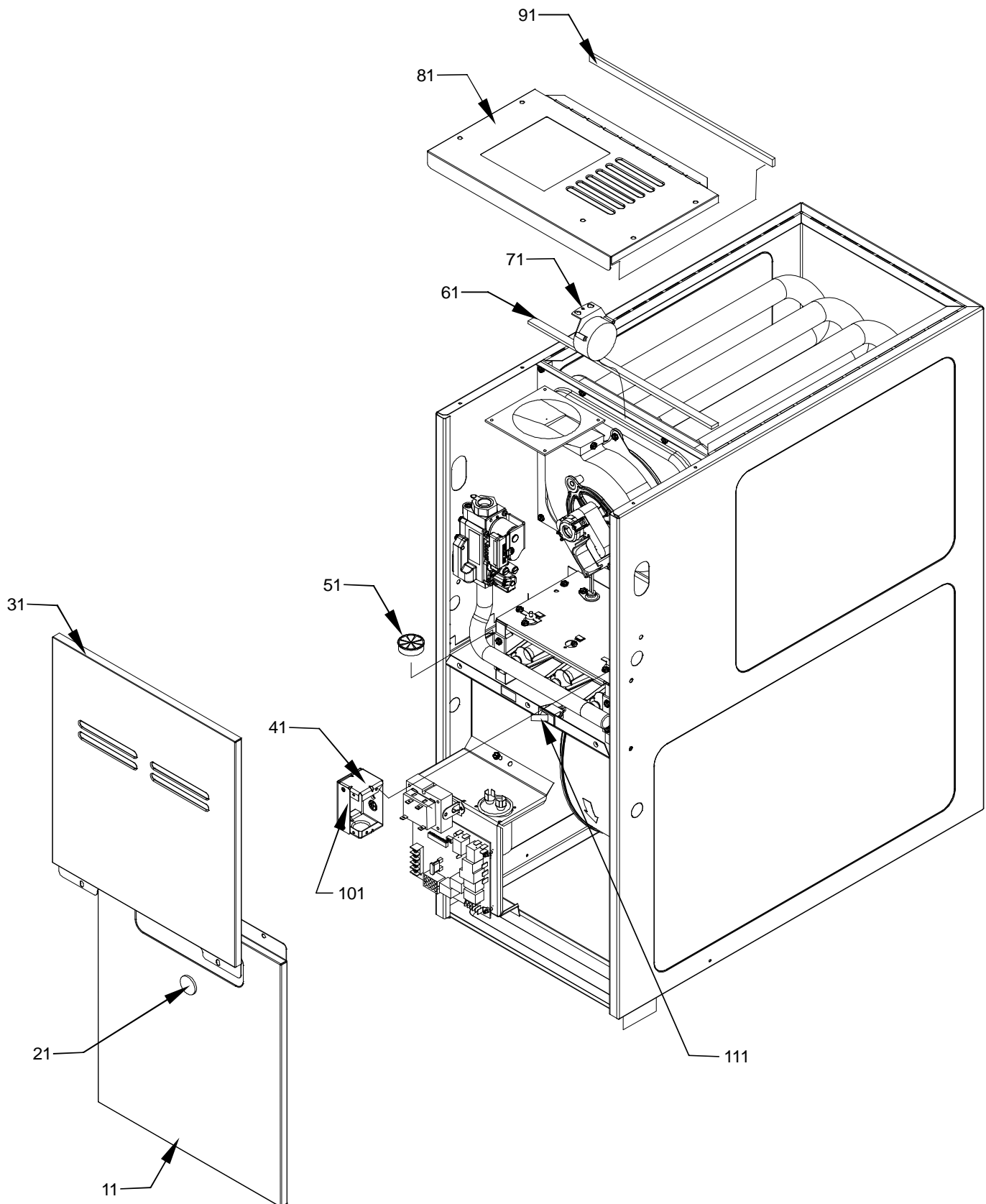
## SPECIAL PARTS

0161F00007        GOODMAN NAMEPLATE

### Expanded Model Nomenclature

M1 - GMVC80604BNAA
M2 - GMVC80604BNBA
M3 - GMVC80604BNBB
M4 - GMVC80604BNBC
M5 - GMVC80604BXAA
M6 - GMVC80604BXBA
M7 - GMVC80604BXBB
M8 - GMVC80604BXBC
M9 - GMVC80805CNAA
M10 - GMVC80805CNBA
M11 - GMVC80805CNBB
M12 - GMVC80805CNBC
M13 - GMVC80805CXAA
M14 - GMVC80805CXBA
M15 - GMVC80805CXBB
M16 - GMVC80805CXBC
M17 - GMVC81005CNAA
M18 - GMVC81005CNBA
M19 - GMVC81005CNBB
M20 - GMVC81005CNBC
M21 - GMVC81005CXAA
M22 - GMVC81005CXBA
M23 - GMVC81005CXBB
M24 - GMVC81005CXBC

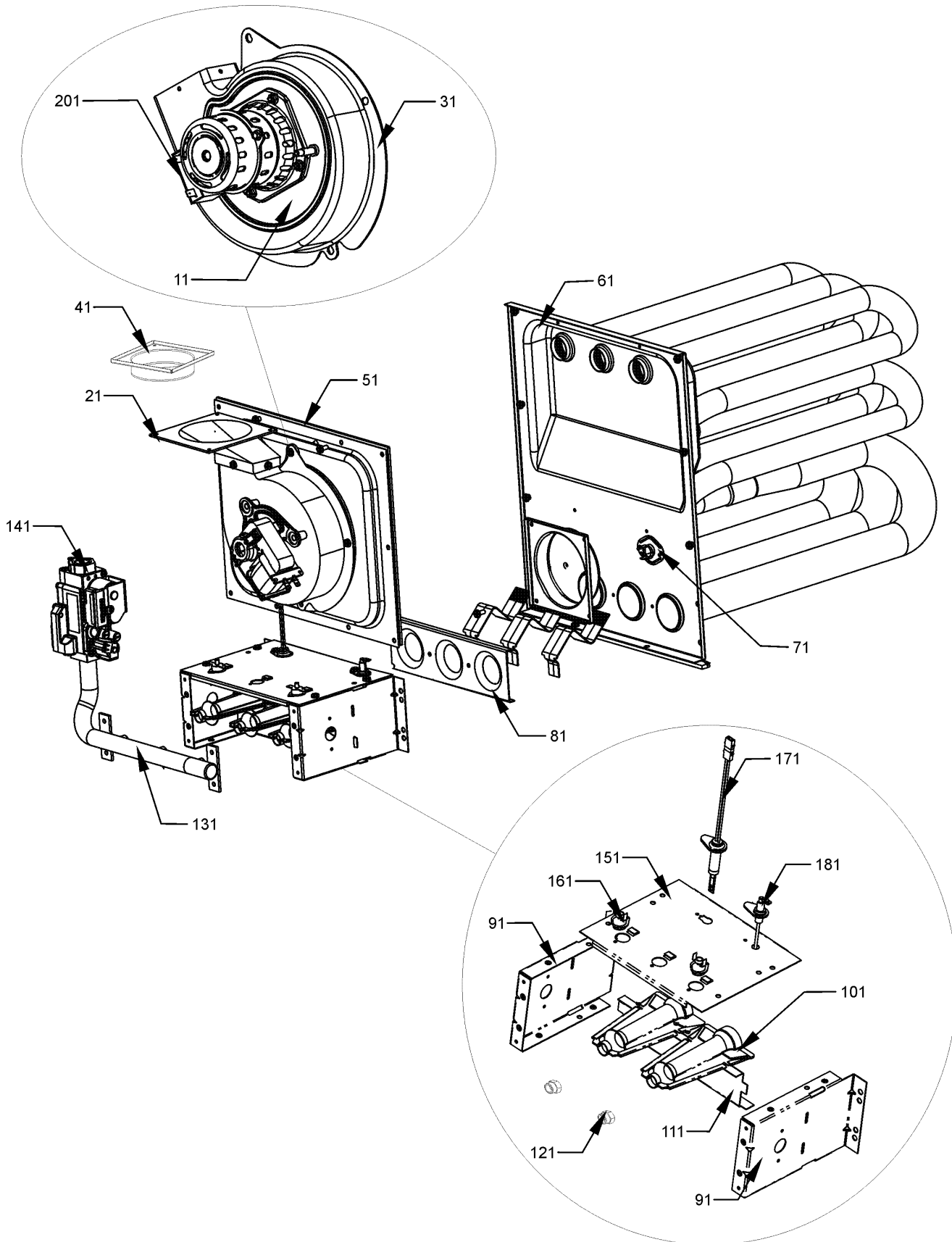
# Cabinet



# Cabinet

Ref. Part No: No:	Description:	Ref. Part No: No:	Description:
<i>Image 1:</i>		<b>Expanded Model Nomenclature</b>	
11	0121F00123DG BLOWER ACCESS DOOR 17.5" (M1, M2, M3, M4, M5, M6, M7, M8)	M1 - GMVC80604BNAA	
11	0121F00124DG BLOWER ACCESS DOOR 21" (M9, M10, M11, M12, M13, M14, M15, M16, M17, M18, M19, M20, M21, M22, M23, M24)	M2 - GMVC80604BNBA	
21	B1392139 VIEW PORT BUSHING-BLOWER DOOR	M3 - GMVC80604BNBB	
31	0121F00119DG CONTROL ACCESS DOOR 17.5" (M1, M2, M3, M4, M5, M6, M7, M8)	M4 - GMVC80604BNBC	
31	0121F00120DG CONTROL ACCESS DOOR 21" (M9, M10, M11, M12, M13, M14, M15, M16, M17, M18, M19, M20, M21, M22, M23, M24)	M5 - GMVC80604BXAA	
41	4014502 J-BOX	M6 - GMVC80604BXBA	
51	B1392147 UNIVERSAL BUSHING WITH SLICE	M7 - GMVC80604BXBB	
61	B13926112 SEAL STRIP, 1/8 X 1/2 X 17.5 (M1, M2, M3, M4, M5, M6, M7, M8)	M8 - GMVC80604BXBC	
61	B13926113 SEAL STRIP, 1/8 X 1/2 X 21 (M9, M10, M11, M12, M13, M14, M15, M16, M17, M18, M19, M20, M21, M22, M23, M24)	M9 - GMVC80805CNAA	
71	0130F00049 AIR PRESSURE SWITCH (M1, M2, M3, M4, M5, M6, M7, M8, M10, M11, M12, M14, M15, M16)	M10 - GMVC80805CNBA	
71	0130F00050 AIR PRESSURE SWITCH (M9, M13, M17, M21)	M11 - GMVC80805CNBB	
71	B1370210 PRESSURE SWITCH, PINK (M18, M19, M20, M22, M23, M24)	M12 - GMVC80805CNBC	
81	0121F00142DG TOP 17.5" (M1, M2, M3, M4, M5, M6, M7, M8)	M13 - GMVC80805CXAA	
81	0121F00143DG TOP 21" (M9, M10, M11, M12, M13, M14, M15, M16, M17, M18, M19, M20, M21, M22, M23, M24)	M14 - GMVC80805CXBA	
91	B13926111 SEAL STRIP, 1/8 X 1/2 X 14	M15 - GMVC80805CXBB	
101	4015502 J-BOX COVER	M16 - GMVC80805CXBC	
111	10690402 INTERLOCK SWITCH	M17 - GMVC81005CNAA	
NS	0161F00007 GOODMAN NAMEPLATE	M18 - GMVC81005CNBA	
NS	0259F00062 INDUCER HARNESS ASSY	M19 - GMVC81005CNBB	
NS	0259F00063 WIRE HARNESS ASSY	M20 - GMVC81005CNBC	
NS	0259F00075 WIRE HARNESS ASSY (M1, M2, M5, M6, M9, M10, M13, M14, M17, M18, M21, M22)	M21 - GMVC81005CXAA	
NS	0259F00081 WIRE HARNESS ASSY (M3, M4, M7, M8, M11, M12, M15, M16, M19, M20, M23, M24)	M22 - GMVC81005CXBA	
		M23 - GMVC81005CXBB	
		M24 - GMVC81005CXBC	

# Heat Exchanger Assembly



# Heat Exchanger Assembly

Ref. Part No:	No:	Description:	Ref. Part No:	No:	Description:
<b>Image 1:</b>			<b>Expanded Model Nomenclature</b>		
11	0131M00003P	VENT MOTOR, 2-STAGE	M1	-	GMVC80604BNAA
21	0128F00006	CHIMNEY TRANSITION BOTTOM	M2	-	GMVC80604BNBA
31	0154F00004	VENT MOTOR GASKET 17.5" (M1, M2, M3, M4, M5, M6, M7, M8)	M3	-	GMVC80604BNBB
31	0154F00005	VENT MOTOR GASKET 21" (M9, M10, M11, M12, M13, M14, M15, M16, M17, M18, M19, M20, M21, M22, M23, M24)	M4	-	GMVC80604BNBC
41	4023500	CHIMNEY TRANSITION TOP	M5	-	GMVC80604BXAA
51	0121F00332	17.5" COLLECTOR BOX 1.375" DIA (M2, M3, M4, M6, M7, M8)	M6	-	GMVC80604BXBA
51	0121F00333	21" COLLECTOR BOX 1.75" DIA (M18, M19, M20, M22, M23, M24)	M7	-	GMVC80604BXBB
51	0121F00336	21" FLUE COLLECTOR BOX 1.50" (M10, M11, M12, M14, M15, M16)	M8	-	GMVC80604BXBC
51	0121F00216	COLLECTOR BOX (M1, M5)	M9	-	GMVC80805CNAA
51	0121F00217	COLLECTOR BOX (M9, M13, M17, M21)	M10	-	GMVC80805CNBA
61	0270F00903	HEAT EXCHANGER ASSY (M17, M18, M19, M20, M21, M22, M23, M24)	M11	-	GMVC80805CNBB
61	0270F00929	HEAT EXCHANGER ASSY (M1, M2, M3, M4, M5, M6, M7, M8)	M12	-	GMVC80805CNBC
61	0270F00930	HEAT EXCHANGER ASSY (M9, M10, M11, M12, M13, M14, M15, M16)	M13	-	GMVC80805CXAA
71	20162904	*PRIMARY LIMIT-TEMPERATURE CONTROL (M17, M21) *Refer to service bulletin SF-054	M14	-	GMVC80805CXBA
71	20162903	PRIMARY LIMIT - BLUE (M1, M5)	M15	-	GMVC80805CXBB
71	0130M00063	PRIMARY LIMIT - GOLD 140° (M2, M3, M4, M6, M7, M8, M9, M10, M11, M12, M13, M14, M15, M16)	M16	-	GMVC80805CXBC
71	20162905	PRIMARY LIMIT-YELLOW (M18, M19, M20, M22, M23, M24)	M17	-	GMVC81005CNAA
81	4028001	ORIFICE SHIELD 3 CELL (M1, M2, M3, M4, M5)	M18	-	GMVC81005CNBA
81	4028002	ORIFICE SHIELD 4 CELL (M6, M7, M8, M9, M10, M11, M12, M13, M14, M15, M16)	M19	-	GMVC81005CNBB
81	4028003	ORIFICE SHIELD 5 CELL (M17, M18, M19, M20, M21, M22, M23, M24)	M20	-	GMVC81005CNBC
91	0121F00146	BURNER BOX SIDE (QTY 2)	M21	-	GMVC81005CXAA
101	B4022700	INSHOT BURNER ASSY 3" (QTY 3)	M22	-	GMVC81005CXBA
111	0121F00168	BURNER BRACKET 3B (M1, M2, M3, M4, M5, M6, M7, M8)	M23	-	GMVC81005CXBB
111	0121F00169	BURNER BRACKET 4B (M9, M10, M11, M12, M13, M14, M15, M16)	M24	-	GMVC81005CXBC
111	0121F00170	BURNER BRACKET 5B (M17, M18, M19, M20, M21, M22, M23, M24)			
121	0163F00018	ORIFICE (M1, M5, M9, M13, M17, M21)			
121	10716005	ORIFICE (M2, M3, M4, M6, M7, M8, M10, M11, M12, M14, M15, M16, M18, M19, M20, M22, M23, M24)			
131	0120F00007	MANIFOLD (M1, M2, M3, M4, M5, M6, M7, M8)			
131	0120F00008	MANIFOLD (M9, M10, M11, M12, M13, M14, M15, M16)			
131	0120F00009	MANIFOLD (M17, M18, M19, M20, M21, M22, M23, M24)			
141	0151M00028	VALVE,GAS(HW)VR92			
151	0121F00163	BURNER BOX TOP 3 CELL (M1, M2, M3, M4, M5, M6, M7, M8)			
151	0121F00164	BURNER BOX TOP 4 CELL (M9, M10, M11, M12, M13, M14, M15, M16)			
151	0121F00165	BURNER BOX TOP 5 CELL (M17, M18, M19, M20, M21, M22, M23, M24)			
161	10123529	MANUAL RESET R.O.S. LIMIT (QTY 2)			
171	0130F00008	IGNITOR-SINI 17 SEC			
181	0130F00010	FLAME SENSOR			
201	DY6.186.070	VENT MOTOR CAPACITOR			

# Blower and Control Panel

Image 1

\*If end bells are needed please order the following:  
0131M00182 - 1/2 HP  
0131M00183 - 3/4 HP  
0131M00184 - 1 HP

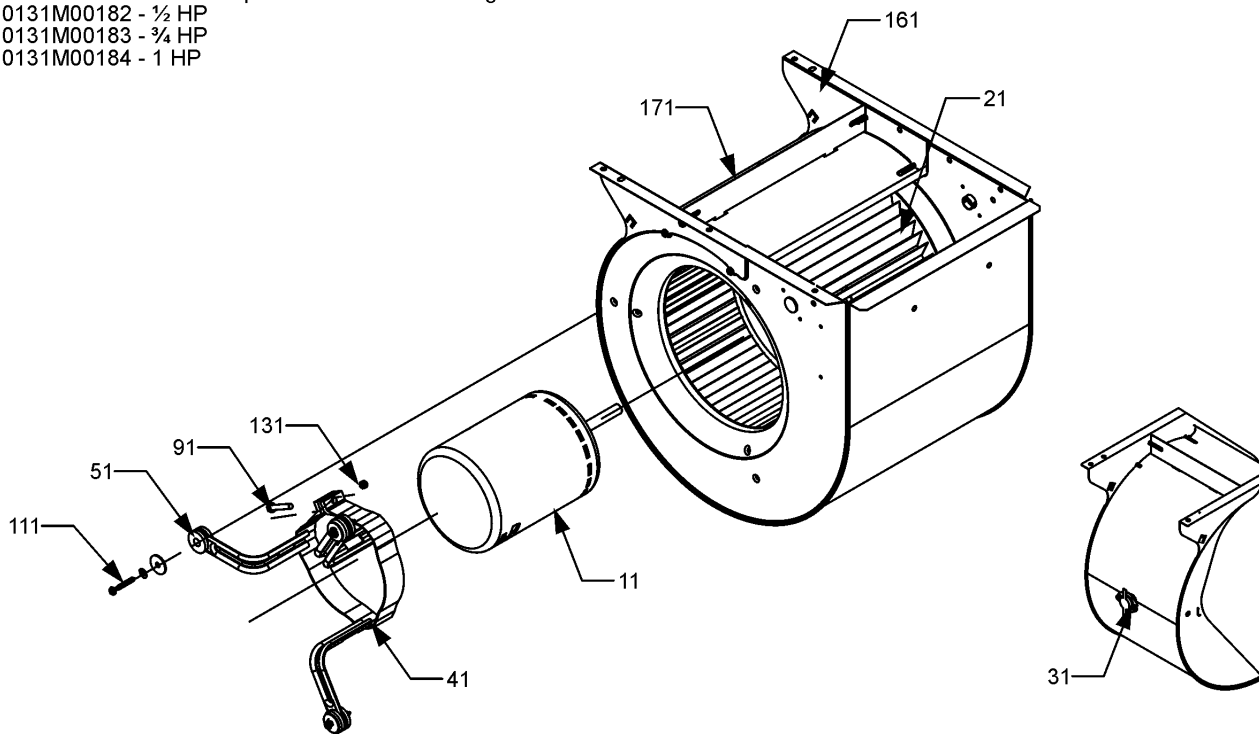
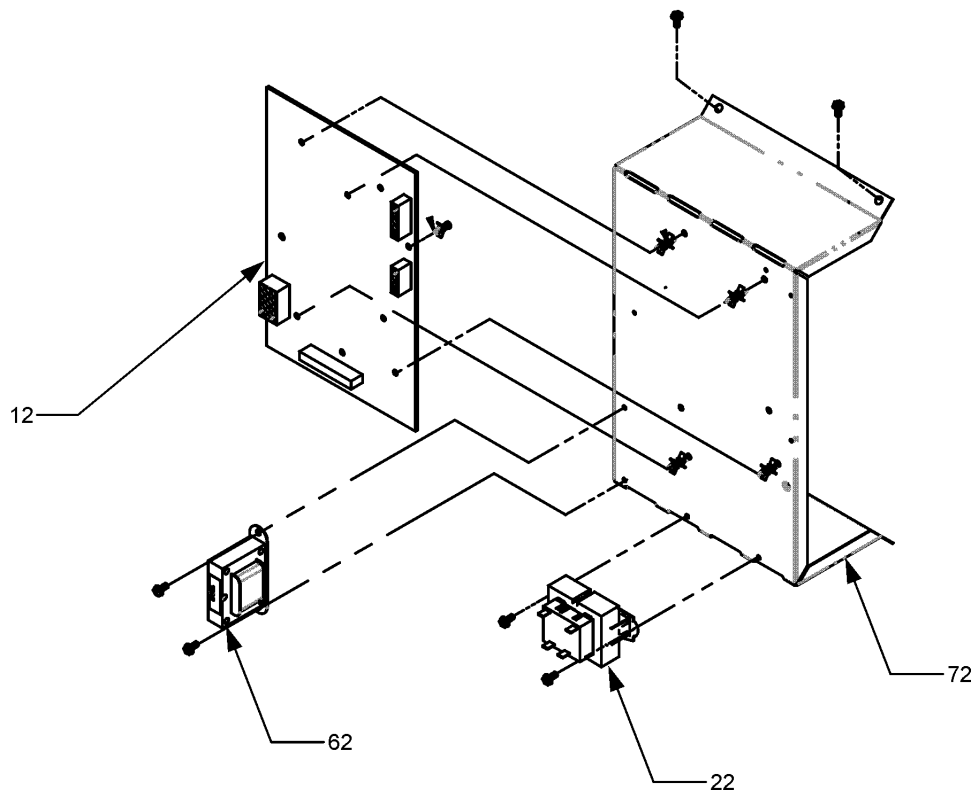


Image 2





# Blower and Control Panel

Ref. Part No: No:	Description:	Ref. Part No: No:	Description:
<b>Image 1:</b>		<b>Expanded Model Nomenclature</b>	
11	0131M00271	MOTOR, 3/4 HP, SERIAL ECM	M1 - GMVC80604BNAA
21	B1368047	BLOWER WHEEL 10 X 10 (M9, M10, M11, M12, M13, M14, M15, M16, M17, M18, M19, M20, M21, M22, M23, M24)	M2 - GMVC80604BNBA
21	B1368016	BLOWER WHEEL 10 X 8 (M1, M2, M3, M4, M5, M6, M7, M8)	M3 - GMVC80604BNBB
31	0130F00038	AUX LIMIT - LT BLUE 120°	M4 - GMVC80604BNBC
41	0121M00038	MOTOR MOUNT BAND (M1, M2, M3, M4, M5, M6, M7, M8)	M5 - GMVC80604BXAA
41	0121M00039	MOTOR MOUNT BAND (HEAVY DUTY) (M9, M10, M11, M12, M13, M14, M15, M16, M17, M18, M19, M20, M21, M22, M23, M24)	M6 - GMVC80604BXBA
51	B1376853	MOTOR MOUNT ARM (M1, M2, M3, M4, M5, M6, M7, M8)	M7 - GMVC80604BXBB
51	B1376863	MOTOR MOUNT ARM (HEAVY DUTY) (M9, M10, M11, M12, M13, M14, M15, M16, M17, M18, M19, M20, M21, M22, M23, M24)	M8 - GMVC80604BXBC
91	B1393323	MACHINE SCREW HWH 1/4-20 X 1-1/2 BZ	M9 - GMVC80805CNAA
111	M0250565	TC SCREW 1.25" (QTY 3)	M10 - GMVC80805CNBA
131	B1393800	LOCKNUT, NYLON, INSERT 1/4, 20	M11 - GMVC80805CNBB
161	0271F00111	BLOWER SHELL ASSY (M1, M2, M3, M4, M5, M6, M7, M8)	M12 - GMVC80805CNBC
161	0271F00112	BLOWER SHELL ASSY (M9, M10, M11, M12, M13, M14, M15, M16, M17, M18, M19, M20, M21, M22, M23, M24)	M13 - GMVC80805CXAA
171	764741	BLOWER BLOCK-OFF 10 X 10 (M9, M10, M11, M12, M13, M14, M15, M16, M17, M18, M19, M20, M21, M22, M23, M24)	M14 - GMVC80805CXBA
171	764740	BLOWER BLOCK-OFF 10 X 8 (M1, M2, M3, M4, M5, M6, M7, M8)	M15 - GMVC80805CXBB
NS	0259F00048	HARNESS, CONTROL	M16 - GMVC80805CXBC
NS	0259F00049	HARNESS, POWER	M17 - GMVC81005CNAA
<b>Image 2:</b>		*If end bells are needed please order the following: 0131M00182 - 1/2 HP 0131M00183 - 3/4 HP 0131M00184 - 1 HP	
12	PCBKF102	PCB, CONTROL, FURNACE (M1, M2, M5, M6, M9, M10, M13, M14, M17, M18, M21, M22)	M18 - GMVC81005CNBA
12	PCBKF104	PCB, CONTROL, FURNACE (M3, M4, M7, M8, M11, M12, M15, M16, M19, M20, M23, M24)	M19 - GMVC81005CNBB
22	0130M00140	TRANSFORMER 120V TO 24V, 40VA	M20 - GMVC81005CNBC
62	0130M00141	INDUCTOR, 5.9 AMPS (GMPE100-4)	M21 - GMVC81005CXAA
72	0121F00218	PANEL, CONTROL MOUNTING	M22 - GMVC81005CXBA
NS	0130F00215	DATA, FURNACE PCB (M1)	M23 - GMVC81005CXBB
NS	0130F00216	DATA, FURNACE PCB (M9)	M24 - GMVC81005CXBC
NS	0130F00217	DATA, FURNACE PCB (M17)	
NS	0130F00218	DATA, FURNACE PCB (M5)	
NS	0130F00219	DATA, FURNACE PCB (M13)	
NS	0130F00220	DATA, FURNACE PCB (M21)	
NS	0130F00233	DATA, FURNACE PCB (M2)	
NS	0130F00234	DATA, FURNACE PCB (M10)	
NS	0130F00235	DATA, FURNACE PCB (M18)	
NS	0130F00236	DATA, FURNACE PCB (M6)	
NS	0130F00237	DATA, FURNACE PCB (M14)	
NS	0130F00238	DATA, FURNACE PCB (M22)	
NS	0130F00264	DATA, FURNACE PCB (M3)	
NS	0130F00265	DATA, FURNACE PCB (M7)	
NS	0130F00266	DATA, FURNACE PCB (M11)	
NS	0130F00267	DATA, FURNACE PCB (M15)	
NS	0130F00268	DATA, FURNACE PCB (M19)	
NS	0130F00269	DATA, FURNACE PCB (M23)	
NS	0130F00415	DATA, FURNACE PCB (M4)	
NS	0130F00416	DATA, FURNACE PCB (M8)	
NS	0130F00417	DATA, FURNACE PCB (M12)	
NS	0130F00418	DATA, FURNACE PCB (M16)	
NS	0130F00419	DATA, FURNACE PCB (M20)	
NS	0130F00420	DATA, FURNACE PCB (M24)	