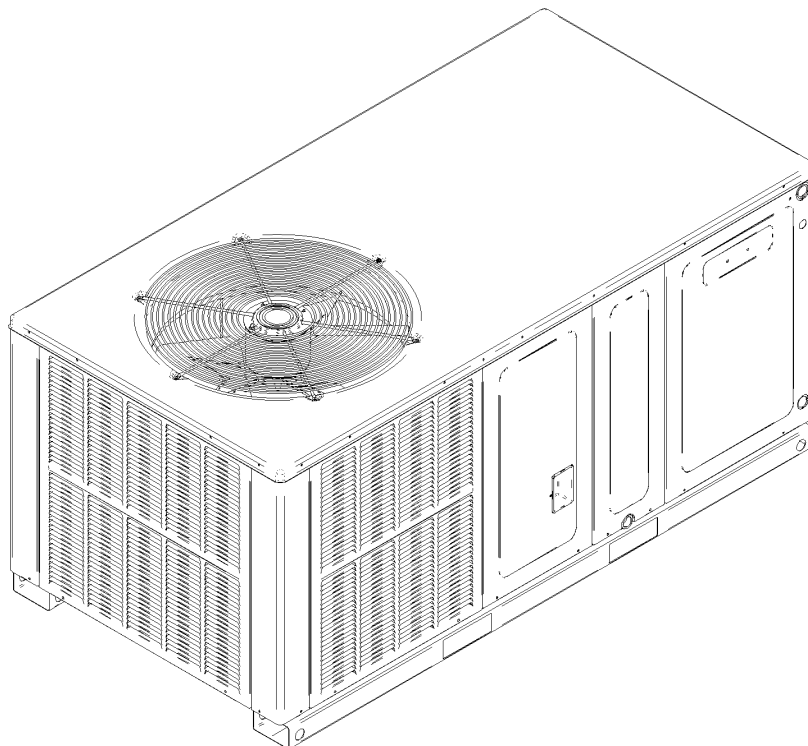


# REPAIR PARTS

## GPH14 H-SERIES R-410A Package Heat Pumps

---

GPH1424H41AA  
GPH1430H41AA  
GPH1436H41AA  
GPH1442H41AA  
GPH1448H41AA  
GPH1460H41AA



This manual is to be used by qualified technicians only.

© 2009 Goodman Manufacturing Company, L.P. ♦ 5151 San Felipe, Suite 500 ♦ Houston, TX 77056

# Important Information

---

## Index

Functional Parts List .....	3
Illustration and Parts .....	4 - 11

*Views shown are for parts illustrations only, not servicing procedures.*

This system uses R410A refrigerant. If sealed system work is required, use approved equipment and follow service procedures. Refer to Service Manual or Installation Instructions for service procedures.

### Text Codes:

AR - As Required

NA - Not Available

NS - Not Shown

00000000 - See Note

QTY - Quantity Example (QTY 3) (If Quantity not shown, Quantity = 1)

M - Model Example (M1) (If M Code not shown, then part is used on all Models)

### Expanded Model Nomenclature:

Example M1 - Model#1 M2 - Model#2 M3 - Model#3
---

Goodman Manufacturing Company, L.P. is not responsible for personal injury or property damage resulting from improper service. Review all service information before beginning repairs.

Warranty service must be performed by an authorized technician, using authorized factory parts. If service is required after the warranty expires, Goodman Manufacturing Company, L.P. also recommends contacting an authorized technician and using authorized factory parts.

Goodman Manufacturing Company, L.P. reserves the right to discontinue, or change at any time, specifications or designs without notice or without incurring obligations.

For assistance within the U.S.A. contact:  
Consumer Affairs Department  
Goodman Manufacturing Company, L.P.  
7401 Security Way  
Houston, Texas 77040  
877-254-4729-Telephone  
713-863-2382-Facsimile

For assistance outside the U.S.A. contact:  
International Division  
Goodman Manufacturing Company, L.P.  
7401 Security Way  
Houston, Texas 77040  
713-861-2500-Telephone  
713-863-2382-Facsimile

# Functional Parts

**Part  
No:**

**Description:**

B1226206	ACCUMULATOR (M1, M2)
B1226207	ACCUMULATOR .875 (M3, M4, M5, M6)
0131M00135S	BLOWER MOTOR, 1/2 HP PROGRAMMED X13 (M3)
0131M00133S	BLOWER MOTOR, 1/2 HP PROGRAMMED X13 (M1)
0131M00136S	BLOWER MOTOR, 1/2 HP PROGRAMMED X13 (M4)
0131M00134S	BLOWER MOTOR, 1/2 HP PROGRAMMED X13 (M2)
0131M00137S	BLOWER MOTOR, 3/4 HP PROGRAMMED X13 (M6)
0131M00131S	BLOWER MOTOR-3/4 HP PROGRAMMED X13 (M5)
CAP050400370RSS	CAPACITOR 5/40/370V [CONTROL BOX] (M1, M2)
CAP050450370RSS	CAPACITOR 5/45/370V [CONTROL BOX] (M3, M4, M5)
CAP050700370RTS	CAPACITOR 5/70/370V (M6)
ZP21K5EPFV830	COMPRESSOR 21300, 208/230/60/1 (M1)
ZP26K3EPFV930	COMPRESSOR 25200, 208/230/60/1 (M2)
ZP31K5EPFV830	COMPRESSOR 31100, 208/230/60/1 (M3)
ZP34K5EPFV830	COMPRESSOR 34500, 208/230/60/1 (M4)
ZP39K5EPFV830	COMPRESSOR 39000, 208/230/60/1 (M5)
ZP51K5EPFV830	COMPRESSOR 51000, 208/230/60/1 (M6)
0131M00007PS	COND MOTOR 1/4 HP, 1 SP, 6 PL (M4, M5, M6)
0131M00014PS	COND MOTOR 1/4 HP, 1 SP, 8 PL (M3)
0131M00009PS	COND MOTOR 1/6 HP, 1 SP, 8 PL (M1, M2)
CONT2P025024VS	CONTACTOR 25 AMP, 2P, 24V (M1, M2, M3)
CONT2P030024VS	CONTACTOR 30 AMP, 2P, 24V (M4, M5)
CONT2P040024VS	CONTACTOR 40 AMP, 2P, 24V (M6)
0130G00005	CUT-OUT SWITCH, HIGH PRESSURE
0130G00004	CUT-OUT SWITCH, LOW PRESSURE
PCBDM101S	DEFROST CONTROL BOARD
0130M00057	DEFROST THERMOSTAT (M1, M2, M3, M5)
0130M00009P	DEFROST THERMOSTAT OPEN 60°, CLOSE 34° (M4, M6)
B1141643	TRANSFORMER 208/230, 24V

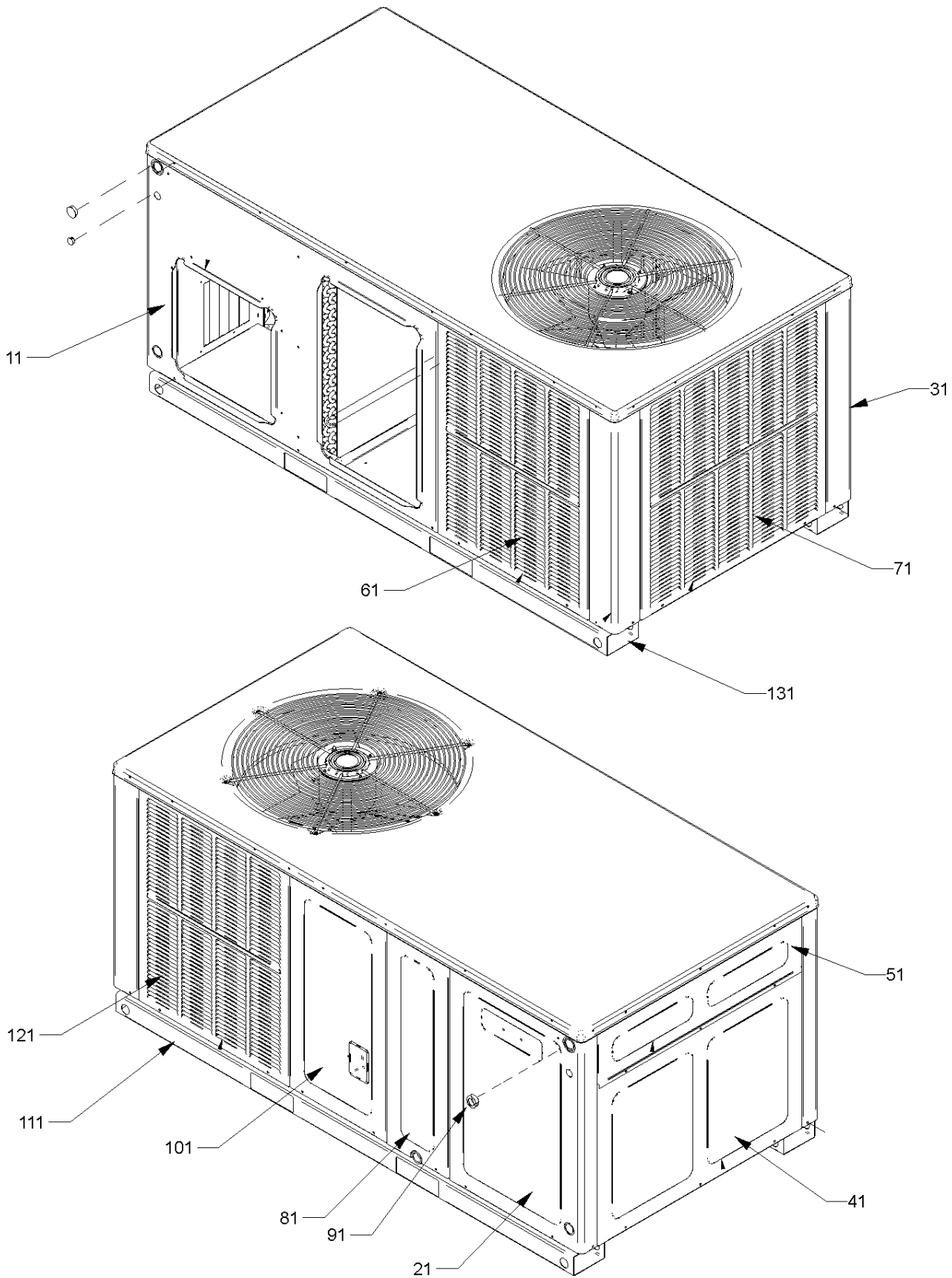
## SPECIAL PARTS

IO-352A	INSTALLATION INSTRUCTIONS
RP-557	REPAIR PARTS MANUAL
B1757910	SUPPLEMENTAL INSERT (EBTDR)

## Expanded Model Nomenclature

M1 - GPH1424H41AA
M2 - GPH1430H41AA
M3 - GPH1436H41AA
M4 - GPH1442H41AA
M5 - GPH1448H41AA
M6 - GPH1460H41AA

# Cabinet Assy



# Cabinet Assy

Ref. Part No: No:	Description:	Ref. Part No: No:	Description:
-------------------	--------------	-------------------	--------------

*Image 1:*

11	0270G00008PS	INSULATED ASSY, DUCT PANEL 27.5" (M1, M2)
11	0270G00009PS	INSULATED ASSY, DUCT PANEL 32.5" (M3, M4)
11	0270G00010PS	INSULATED ASSY, DUCT PANEL 36" (M5, M6)
21	0270G00011PS	INSULATED ASSY, CORNER PANEL 27.5" (M1, M2)
21	0270G00012PS	INSULATED ASSY, CORNER PANEL 32.5" (M3, M4)
21	0270G00013PS	INSULATED ASSY, CORNER PANEL 36" (M5, M6)
31	0121G00047PDGS	CORNER POST 27.5" (M1, M2)
31	0121G00048PDGS	CORNER POST 32.5" (M3, M4)
31	0121G00048PDGS	CORNER POST 32.5" (M3, M4)
31	0121G00082PDGS	CORNER POST 36" (M5, M6)
41	0270G00113S	INSULATED ASSY, BLOWER DOOR 27.5" (M1, M2)
41	0270G00114S	INSULATED ASSY, BLOWER DOOR 32.5" (M3, M4)
41	0270G00115S	INSULATED ASSY, BLOWER DOOR 36" (M5, M6)
51	0121G00276DGS	EXTERNAL CONTROL BOX PANEL
61	0121G00069PDG	LOUVERED PANEL 4 BANK 27.5" (M1, M2)
61	0121G00070PDGS	LOUVERED PANEL 4 BANK 32.5" (M3, M4)
61	0121G00090PDG	LOUVERED PANEL 4 BANK 36" (M5, M6)
71	0121G00072PDGS	LOUVERED PANEL 5 BANK 27.5" (M1, M2)
71	0121G00073PDGS	LOUVERED PANEL 5 BANK 32.5" (M3, M4)
71	0121G00091PDGS	LOUVERED PANEL 5 BANK 36" (M5, M6)
81	0270G00017PS	INSULATED ASSY, EVAP PANEL 27.5" (M1, M2)
81	0270G00018PS	INSULATED ASSY, EVAP PANEL 32.5" (M3, M4)
81	0270G00019PS	INSULATED ASSY, EVAP PANEL 36" (M5, M6)
91	B1392011	GROMMET / HS .62 - .45
101	0121G00062PDG	COMPRESSOR PANEL 13.68" X 27.50" (M1, M2)
101	0121G00060PDG	COMPRESSOR PANEL 8.75" X 32.50" (M3, M4)
101	0121G00087PDG	COMPRESSOR PANEL 8.75" X 36" (M5, M6)
111	0121G00046PS	INSULATED ASSY, BASEPAN
121	0121G00069PDG	LOUVERED PANEL 4 BANK 27.5" (M1, M2)
121	0121G00073PDGS	LOUVERED PANEL 5 BANK 32.5" (M3, M4)
121	0121G00091PDGS	LOUVERED PANEL 5 BANK 36" (M5, M6)
131	0121G00044PRF	BASEPAN RAIL (QTY 2)

Expanded Model Nomenclature

- |                   |
|-------------------|
| M1 - GPH1424H41AA |
| M2 - GPH1430H41AA |
| M3 - GPH1436H41AA |
| M4 - GPH1442H41AA |
| M5 - GPH1448H41AA |
| M6 - GPH1460H41AA |

# Chassis Assy

Image 1

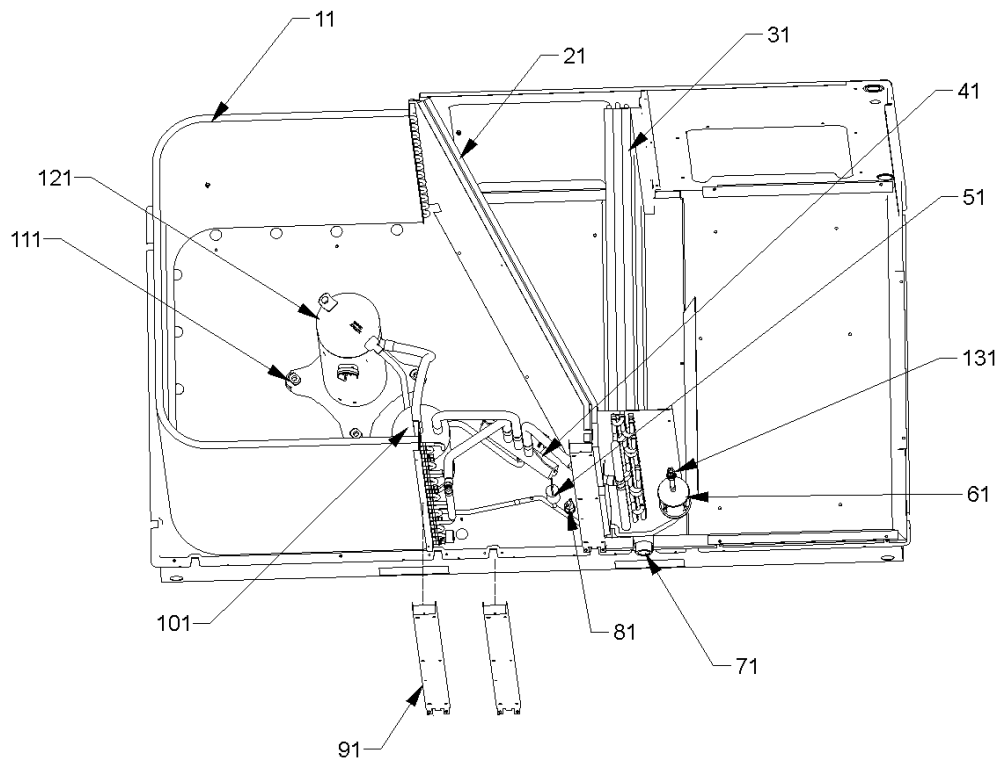


Image 2

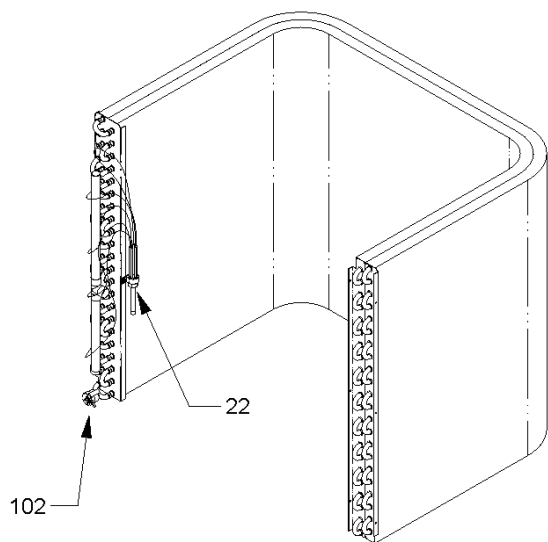
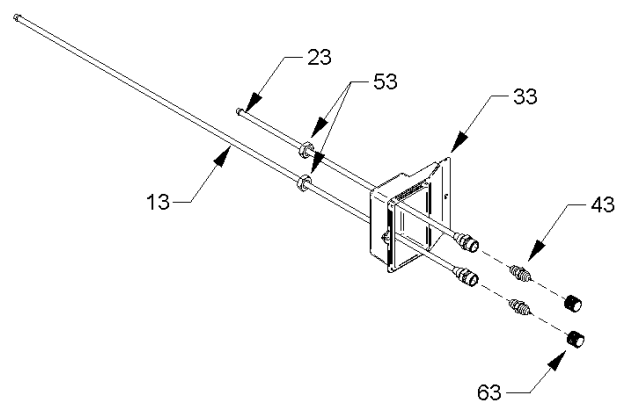


Image 3



# Chassis Assy

Ref. Part No:	Ref. Part No:	Description:	Description:
<i>Image 1:</i>		<i>Image 1:</i>	
11	0201G00123S	TUBING ASSY, COND COIL (M4)	NS M0221641 TF SHOULDER SCREW (QTY 4)
11	0201G00126S	TUBING ASSY, COND COIL (M3)	<i>Image 2:</i>
11	0201G00150	TUBING ASSY, COND COIL (M2)	22 0162M00021P FLOWRATOR .047 (M2)
11	0201G00156	TUBING ASSY, COND COIL (M6)	22 0162M00112S FLOWRATOR .049 [COND] (M1)
11	0201G00159	TUBING ASSY, COND COIL (M5)	22 0162M00098S FLOWRATOR .065 [COND] (M3, M4, M5)
11	0201G00160	TUBING ASSY, COND COIL (M1)	22 0162M00012P FLOWRATOR .071 [COND] (M6)
21	0270G00075	INSULATED ASSY, PARTITION PANEL 27.5" (M1, M2)	102 0130M00057 DEFROST THERMOSTAT (M1, M2, M3, M5)
21	0270G00076	INSULATED ASSY, PARTITION PANEL 32.5" (M3, M4)	102 0130M00009P DEFROST THERMOSTAT OPEN 60°, CLOSE 34° (M4, M6)
21	0270G00077	INSULATED ASSY, PARTITION PANEL 36" (M5, M6)	<i>Image 3:</i>
31	0202G00271S	TUBING ASSY, EVAP COIL (M3)	13 0210G00031P PROCESS TUBE ASSY-SUCTION
31	0202G00298	TUBING ASSY, EVAP COIL (M2)	23 0210G00030P PROCESS TUBE ASSY-LIQUID
31	0202G00300	TUBING ASSY, EVAP COIL (M1)	33 0161G00001P ACCESS FITTING BOX
31	0202G00302	TUBING ASSY, EVAP COIL (M6)	43 B1373315 ACCESS FITTING (QTY 2)
31	0202G00305	TUBING ASSY, EVAP COIL (M5)	53 0163G00000P FASTEST FITTING NUT (QTY 2)
31	0202G00307	TUBING ASSY, EVAP COIL (M4)	63 B9102097 CAP W/O-RING (QTY 2)
41	B1227316S	REVERSING VALVE (M1, M2)	Expanded Model Nomenclature
41	B1227318S	REVERSING VALVE (M3, M4, M5, M6)	M1 - GPH1424H41AA
51	0130G00005	CUT-OUT SWITCH, HIGH PRESSURE	M2 - GPH1430H41AA
61	B1219204	BI-FLOW FILTER DRIER, STEEL	M3 - GPH1436H41AA
71	0270G00004PS	DRAIN PAN ASSY	M4 - GPH1442H41AA
81	0130G00004	CUT-OUT SWITCH, LOW PRESSURE	M5 - GPH1448H41AA
91	0121G00045P	POST 27.5" (M1, M2)	M6 - GPH1460H41AA
91	0121G00079P	POST 32.5" (M3, M4)	
91	0121G00083P	POST 36" (M5, M6)	
101	B1226206	ACCUMULATOR (M1, M2)	
101	B1226207	ACCUMULATOR .875 (M3, M4, M5, M6)	
111	B1339533	COMPRESSOR GROMMET (QTY 4)	
121	ZP21K5EPFV830	COMPRESSOR 21300, 208/230/60/1 (M1)	
121	ZP26K3EPFV930	COMPRESSOR 25200, 208/230/60/1 (M2)	
121	ZP31K5EPFV830	COMPRESSOR 31100, 208/230/60/1 (M3)	
121	ZP34K5EPFV830	COMPRESSOR 34500, 208/230/60/1 (M4)	
121	ZP39K5EPFV830	COMPRESSOR 39000, 208/230/60/1 (M5)	
121	ZP51K5EPFV830	COMPRESSOR 51000, 208/230/60/1 (M6)	
131	0162M00111S	FLOWRATOR .057 [EVAP] (M1)	
131	0162M00018PS	FLOWRATOR .065 [EVAP] (M2)	
131	0162M00053	FLOWRATOR .068 (M3)	
131	0162M00109S	FLOWRATOR .072 [EVAP] (M4)	
131	0162M00019P	FLOWRATOR .076 [EVAP] (M5)	
131	0162M00093	FLOWRATOR .088 (M6)	
NS	0159G00004	COMPRESSOR SCROLL HARNESS	
NS	0121G00043P	EVAP DRIP SHIELD	
NS	0210G00008P	PROCESS TUBING ASSY	
NS	B1225022S	SOLENOID COIL	

# Top Panel / Control Box Assy

Image 1

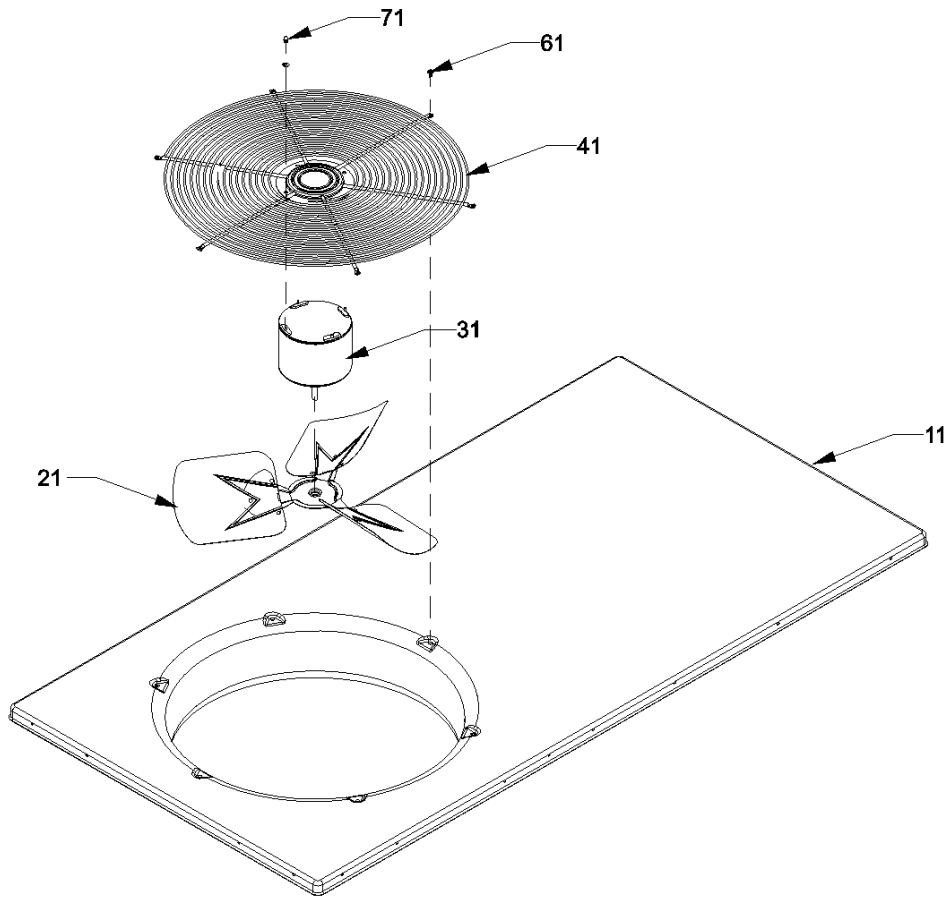
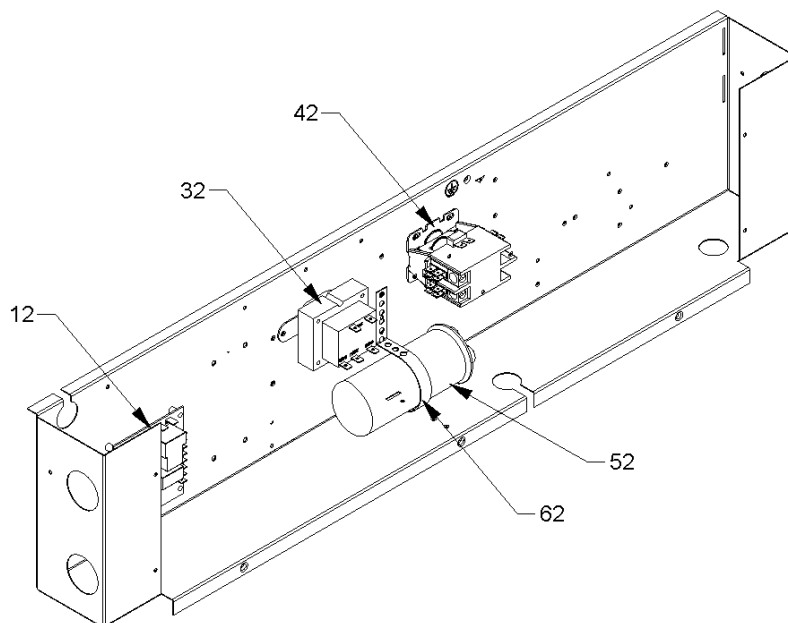


Image 2





# Top Panel / Control Box Assy

Ref. Part No:	Ref. Part No:	Description:	Description:
---------------	---------------	--------------	--------------

*Image 1:*

11	0274G00037	INSULATED ASSY, TOP PANEL
21	0150G00001S	FAN BLADE (M4, M5, M6)
21	B1086775S	FAN BLADE (M1, M2)
21	B1086765S	FAN BLADE TYPE 3 (M3)
31	0131M00007PS	COND MOTOR 1/4 HP, 1 SP, 6 PL (M4, M5, M6)
31	0131M00014PS	COND MOTOR 1/4 HP, 1 SP, 8 PL (M3)
31	0131M00009PS	COND MOTOR 1/6 HP, 1 SP, 8 PL (M1, M2)
41	0152G00002S	FAN GRILLE
61	M0221817	SMALL SCREW (QTY 6)
71	0163M00006P	ACORN NUT 5/16 HEX BLACK (QTY 4)
NS	17788000083F	PVC CONDUIT 8.25"
NS	0259G00003	WIRE HARNESS, ELECTRIC HEAT

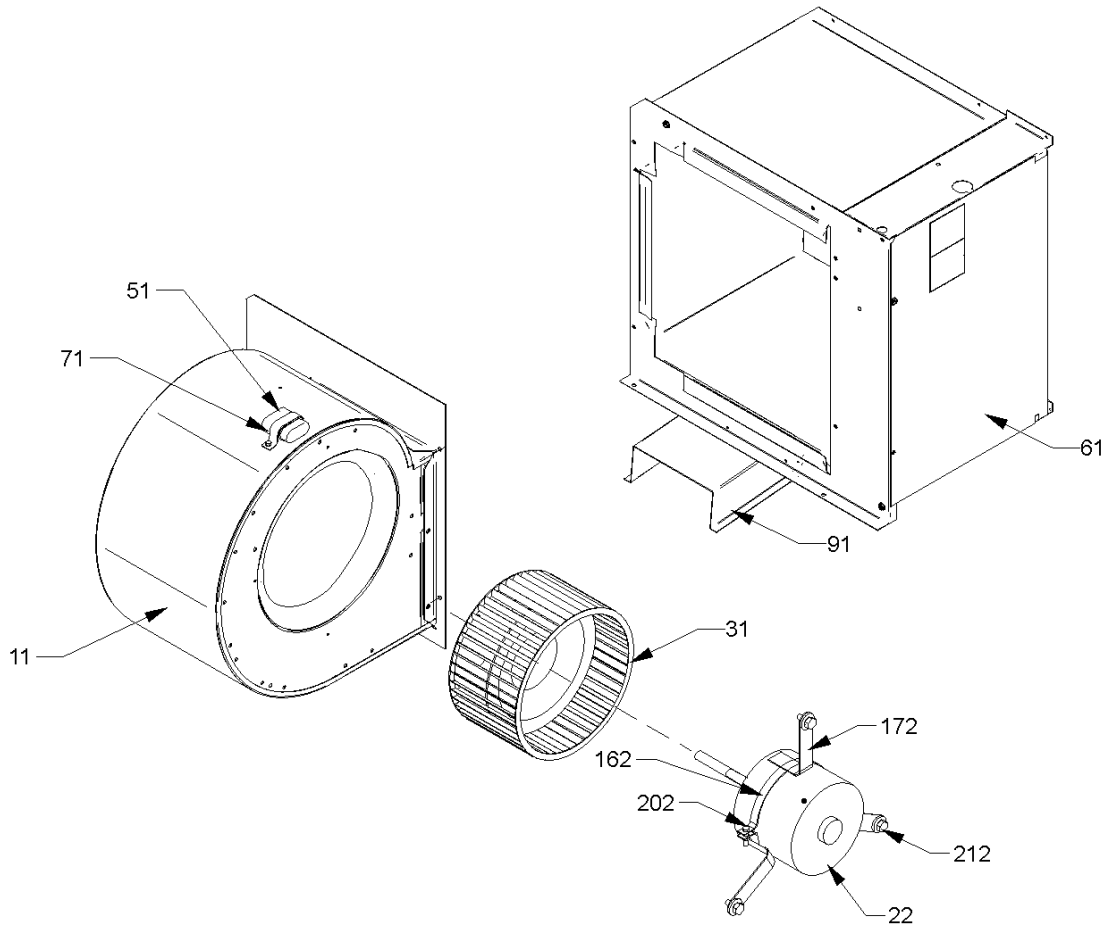
*Image 2:*

12	PCBDM101S	DEFROST CONTROL BOARD
32	B1141643	TRANSFORMER 208/230, 24V
42	CONT2P025024VS	CONTACTOR 25 AMP, 2P, 24V (M1, M2, M3)
42	CONT2P030024VS	CONTACTOR 30 AMP, 2P, 24V (M4, M5)
42	CONT2P040024VS	CONTACTOR 40 AMP, 2P, 24V (M6)
52	CAP050400370RSS	CAPACITOR 5/40/370V [CONTROL BOX] (M1, M2)
52	CAP050450370RSS	CAPACITOR 5/45/370V [CONTROL BOX] (M3, M4, M5)
52	CAP050700370RTS	CAPACITOR 5/70/370V (M6)
62	20520901	CAPACITOR STRAP

Expanded Model Nomenclature

M1 - GPH1424H41AA
M2 - GPH1430H41AA
M3 - GPH1436H41AA
M4 - GPH1442H41AA
M5 - GPH1448H41AA
M6 - GPH1460H41AA

# Blower Assy



# Blower Assy

Ref. Part No:	No:	Description:	Ref. Part No:	No:	Description:
<i>Image 1:</i>					
11	10324248	BLOWER HOUSING 10 X 8 (M1, M2, M3, M4, M5)			
11	0271G00017	BLOWER HOUSING 11 X 8 (M6)			
21	0131M00133S	BLOWER MOTOR, 1/2 HP PROGRAMMED X13 (M1)			
21	0131M00134S	BLOWER MOTOR, 1/2 HP PROGRAMMED X13 (M2)			
21	0131M00135S	BLOWER MOTOR, 1/2 HP PROGRAMMED X13 (M3)			
21	0131M00136S	BLOWER MOTOR, 1/2 HP PROGRAMMED X13 (M4)			
21	0131M00137S	BLOWER MOTOR, 3/4 HP PROGRAMMED X13 (M6)			
21	0131M00131S	BLOWER MOTOR-3/4 HP PROGRAMMED X13 (M5)			
31	B1368016S	BLOWER WHEEL 10 X 8 (M1, M2, M3, M4, M5)			
31	B1368054	BLOWER WHEEL 11 X 8 (M6)			
61	0121G00039PS	HEATER KIT COVER			
91	0121G00040P	BLOWER SUPPORT			
161	0121M00038	MOTOR MOUNT BAND			
171	B1376853	MOTOR MOUNT ARM (M1, M2, M3, M4, M5)			
171	B1376857	MOTOR MOUNT ARM (M6)			
201	B1393323	MACHINE SCREW HWH 1/4-20 X 1-1/2 BZ			
211	M0250565	TC SCREW 1.25" (QTY 3)			
NS	C6121810	BLOWER CUT-OFF (M1, M2, M3, M4, M5)			
NS	2964700	BLOWER CUT-OFF 11 X 8 (M6)			

## Expanded Model Nomenclature

M1 - GPH1424H41AA
M2 - GPH1430H41AA
M3 - GPH1436H41AA
M4 - GPH1442H41AA
M5 - GPH1448H41AA
M6 - GPH1460H41AA