

# CONDENSING UNIT

## AIR CONDITIONING INSTALLATION & SERVICE REFERENCE

© 2005-2012 Goodman Manufacturing Company, L.P.  
5151 San Felipe, Suite 500, Houston, TX 77056  
[www.goodmanmfg.com](http://www.goodmanmfg.com) -or- [www.amana-hac.com](http://www.amana-hac.com)  
P/N: IO-258Q Date: November 2012

### Important Safety Instructions

The following symbols and labels are used throughout this manual to indicate immediate or potential safety hazards. It is the owner's and installer's responsibility to read and comply with all safety information and instructions accompanying these symbols. Failure to heed safety information increases the risk of personal injury, property damage, and/or product damage.



#### WARNING

##### HIGH VOLTAGE!

Disconnect ALL power before servicing.  
Multiple power sources may be present.  
Failure to do so may cause property damage,  
personal injury or death.



#### WARNING

**ONLY** individuals meeting the requirements of an "Entry Level Technician", at a minimum, as specified by the Air Conditioning, Heating and Refrigeration Institute (AHRI) may use this information. Attempting to install or repair this unit without such background may result in product damage, personal injury, or death.

### Important Note to the Owner regarding Product Warranty

Your warranty certificate is supplied as a separate document with the unit installed by your contractor. Read the limited warranty certificate carefully to determine what is and is not covered and keep the warranty certificate in a safe place. If you are unable to locate the warranty certificate please contact your installing contractor or contact customer service (877-254-4729) to obtain a copy.

**IMPORTANT:** To receive the 10-Year Parts Limited Warranty, online registration must be completed within 60 days of installation. Online registration is not required in California or Quebec. Complete warranty details available from your local dealer or, for Goodman® brand products, visit [www.goodmanmfg.com](http://www.goodmanmfg.com), and for Amana® brand products, visit [www.amana-hac.com](http://www.amana-hac.com).

**IMPORTANT:** To register your Goodman® brand unit, go to [www.goodmanmfg.com](http://www.goodmanmfg.com) and click "Warranty Registration". Complete registration as prompted.

To register your Amana® brand unit, go to [www.amana-hac.com](http://www.amana-hac.com) and click "Warranty Registration". Complete registration as prompted.

Product limited warranty certificates for models currently in production can be viewed at [www.goodmanmfg.com](http://www.goodmanmfg.com) or [www.amana-hac.com](http://www.amana-hac.com). If your model is not currently in production or does not appear on the website, please contact your installing contractor or contact customer service (877-254-4729) to obtain a copy of your warranty certificate.

Each product overview page contains a Product Warranty link; by clicking on it you will be able to view the limited warranty coverage for that specific product. To view warranty registration information, click on the Product Warranty text on the left navigation panel on the home page of each website. The Online Product Registration pages are located in this same section.

### Shipping Inspection

Always keep the unit upright; laying the unit on its side or top may cause equipment damage. Shipping damage, and subsequent investigation is the responsibility of the carrier. Verify the model number, specifications, electrical characteristics, and accessories are correct prior to installation. The distributor or manufacturer will not accept claims from dealers for transportation damage or installation of incorrectly shipped units.

### Codes & Regulations

This product is designed and manufactured to comply with national codes. Installation in accordance with such codes and/or prevailing local codes/regulations is the responsibility of the installer. The manufacturer assumes no responsibility for equipment installed in violation of any codes or regulations. Rated performance is achieved after 72 hours of operation. Rated performance is delivered at the specified airflow. See outdoor unit specification sheet for split system models or product specification sheet for packaged and light commercial models. Specification sheets can be found at [www.goodmanmfg.com](http://www.goodmanmfg.com) for Goodman® brand products or [www.amana-hac.com](http://www.amana-hac.com) for Amana® brand products. Within either website, please select the residential or commercial products menu and then select the submenu for the type of product to be installed, such as air conditioners or heat pumps, to access a list of product pages that each contain links to that model's specification sheet.

**The United States Environmental Protection Agency (EPA) has issued various regulations regarding the introduction and disposal of refrigerants. Failure to follow these regulations may harm the environment and can lead to the imposition of substantial fines.** Should you have any questions please contact the local office of the EPA.



is a registered trademark of Maytag Corporation or its related companies and is used under license to Goodman Company, L.P., Houston, TX. All rights reserved.



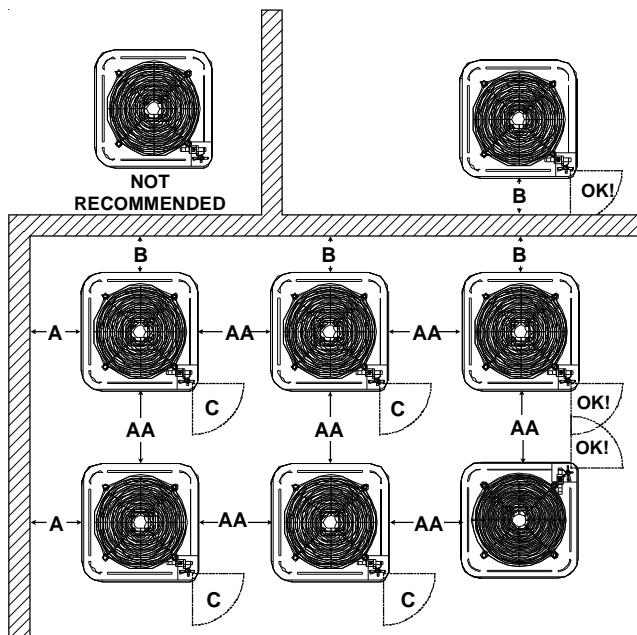
If replacing a condensing unit or air handler, the system must be manufacturer approved and Air Conditioning, Heating and Refrigeration Institute (AHRI) matched. **NOTE:** Installation of unmatched systems is strongly discouraged.

Operating the unit in a structure that is not complete (either as part of new construction or renovation) will void the warranty.

### Installation Clearances

Special consideration must be given to location of the condensing unit(s) in regard to structures, obstructions, other units, and any/all other factors that may interfere with air circulation. Where possible, the top of the unit should be completely unobstructed; however, if vertical conditions require placement beneath an obstruction **there should be a minimum of 60 inches between the top of the unit and the obstruction(s).** The specified dimensions meet requirements for air circulation only. Consult all appropriate regulatory codes prior to determining final clearances.

Another important consideration in selecting a location for the unit(s) is the angle to obstructions. Either side adjacent the valves can be placed toward the structure provided the side away from the structure maintains minimum service clearance. Corner installations are strongly discouraged.



| Minimum Airflow Clearance |     |     |     |     |
|---------------------------|-----|-----|-----|-----|
| Model Type                | A   | B   | C   | AA  |
| Residential               | 10" | 10" | 18" | 20" |
| Light Commercial          | 12" | 12" | 18" | 24" |

This unit can be located at ground floor level or on flat roofs. At ground floor level, the unit must be on a solid, level foundation that will not shift or settle. To reduce the possibility of sound transmission, the foundation slab should not be in contact with or be an integral part of the building foundation. Ensure the foundation is sufficient to support the unit. A concrete slab raised above ground level provides a suitable base.

### Rooftop Installations

If it is necessary to install this unit on a roof structure, ensure the roof structure can support the weight and that proper consideration is given to the weather-tight integrity of the roof. Since the unit can vibrate during operation, sound vibration transmission should be considered when installing the unit. Vibration absorbing pads or springs can be installed between the condensing unit legs or frame and the roof mounting assembly to reduce noise vibration.

**! WARNING**

To avoid possible injury, explosion or death, practice safe handling of refrigerants.

### Safe Refrigerant Handling

While these items will not cover every conceivable situation, they should serve as a useful guide.

**! WARNING**

Refrigerants are heavier than air. They can "push out" the oxygen in your lungs or in any enclosed space. To avoid possible difficulty in breathing or death:

- Never purge refrigerant into an enclosed room or space. By law, all refrigerants must be reclaimed.
- If an indoor leak is suspected, thoroughly ventilate the area before beginning work.
- Liquid refrigerant can be very cold. To avoid possible frostbite or blindness, avoid contact and wear gloves and goggles. If liquid refrigerant does contact your skin or eyes, seek medical help immediately.
- Always follow EPA regulations. Never burn refrigerant, as poisonous gas will be produced.

**! WARNING**

To avoid possible explosion:

- Never apply flame or steam to a refrigerant cylinder. If you must heat a cylinder for faster charging, partially immerse it in warm water.
- Never fill a cylinder more than 80% full of liquid refrigerant.
- Never add anything other than R-22 to an R-22 cylinder or R-410A to an R-410A cylinder. The service equipment used must be listed or certified for the type of refrigerant used.
- Store cylinders in a cool, dry place. Never use a cylinder as a platform or a roller.

## WARNING

To avoid possible explosion, use only returnable (not disposable) service cylinders when removing refrigerant from a system.

- Ensure the cylinder is free of damage which could lead to a leak or explosion.
- Ensure the hydrostatic test date does not exceed 5 years.
- Ensure the pressure rating meets or exceeds 400 lbs.

When in doubt, do not use cylinder.

## Refrigerant Lines

### CAUTION

The compressor POE oil for R-410A units is extremely susceptible to moisture absorption and could cause compressor failure. Do not leave system open to atmosphere any longer than necessary for installation.

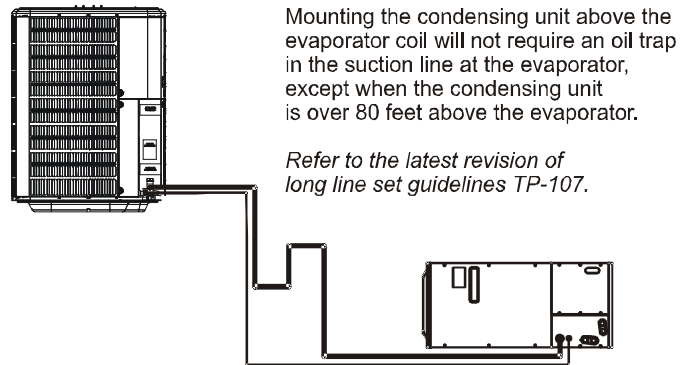
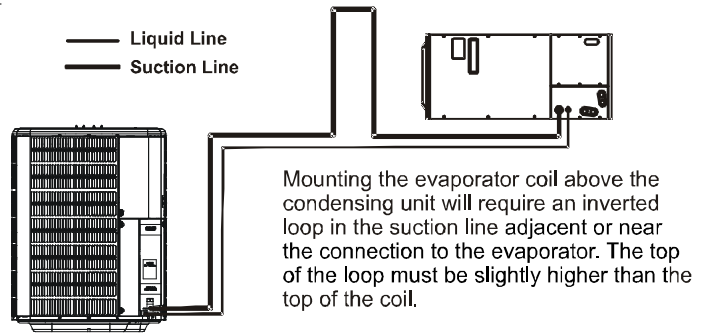
Use only refrigerant grade (dehydrated and sealed) copper tubing to connect the condensing unit with the indoor evaporator. After cutting the tubing, install plugs to keep refrigerant tubing clean and dry prior to and during installation. Tubing should always be cut square keeping ends round and free from burrs. Clean the tubing to prevent contamination.

Do NOT let refrigerant lines come in direct contact with plumbing, ductwork, floor joists, wall studs, floors, and walls. When running refrigerant lines through a foundation or wall, openings should allow for sound and vibration absorbing material to be placed or installed between tubing and foundation. Any gap between foundation or wall and refrigerant lines should be filled with a pliable silicon-based caulk, RTV or a vibration damping material. Avoid suspending refrigerant tubing from joists and studs with rigid wire or straps that would come in contact with the tubing. Use an insulated or suspension type hanger. Keep both lines separate and always insulate the suction line.

These sizes are recommended for line lengths of 79 feet or less to obtain optimum performance. For alternate line sizing options or runs of more than 79 feet, refer to Remote Cooling Service Manual or TP-107 Long Line Set Application R-410A or contact your distributor for assistance.

| RECOMMENDED INTERCONNECTING TUBING (Ft) |                        |     |       |     |        |     |
|---|------------------------|-----|-------|-----|--------|-----|
| Cond Unit Tons                          | 0-24                   |     | 25-49 |     | 50-79* |     |
|   | Line Diameter (In. OD) |     |       |     |        |     |
|   | Suct                   | Liq | Suct  | Liq | Suct   | Liq |
| 1 1/2                                   | 5/8                    | 1/4 | 3/4   | 3/8 | 3/4    | 3/8 |
| 2                                       | 5/8                    | 1/4 | 3/4   | 3/8 | 3/4    | 3/8 |
| 2 1/2                                   | 5/8                    | 1/4 | 3/4   | 3/8 | 7/8    | 3/8 |
| 3                                       | 3/4                    | 3/8 | 7/8   | 3/8 | 1 1/8  | 3/8 |
| 3 1/2                                   | 7/8                    | 3/8 | 1 1/8 | 3/8 | 1 1/8  | 3/8 |
| 4                                       | 7/8                    | 3/8 | 1 1/8 | 3/8 | 1 1/8  | 3/8 |
| 5                                       | 7/8                    | 3/8 | 1 1/8 | 3/8 | 1 1/8  | 3/8 |

\* Lines greater than 79 feet in length or vertical elevation changes more than 50 feet refer to the Remote Cooling Service Manual or contact your distributor for assistance.



Insulation is necessary to prevent condensation from forming and dropping from the suction line. Armflex (or satisfactory equivalent) with 3/8" min. wall thickness is recommended. In severe conditions (hot, high humidity areas) 1/2" insulation may be required. Insulation must be installed in a manner which protects tubing from damage and contamination.

Where possible, drain as much residual compressor oil from existing systems, lines, and traps; pay close attention to low areas where oil may collect. **NOTE:** If changing refrigerant types, ensure the indoor coil and metering device is compatible with the type of refrigerant being used; otherwise, the indoor coil must be replaced.

## Burying Refrigerant Lines

If burying refrigerant lines can not be avoided, use the following checklist.

1. Insulate liquid and suction lines separately.
2. Enclose all underground portions of the refrigerant lines in waterproof material (conduit or pipe) sealing the ends where tubing enters/exits the enclosure.
3. If the lines must pass under or through a concrete slab, ensure lines are adequately protected and sealed.

## Refrigerant Line Connections

### IMPORTANT

To avoid overheating the service valve, TXV valve, or filter drier while brazing, wrap the component with a wet rag, or use a thermal heat trap compound. Be sure to follow the manufacturer's instruction when using the heat trap compound. Note: Remove Schrader valves from service valves before brazing tubes to the valves. Use a brazing alloy of 2% minimum silver content. Do not use flux.

Torch heat required to braze tubes of various sizes is proportional to the size of the tube. Tubes of smaller size require less heat to bring the tube to brazing temperature before adding brazing alloy. Applying too much heat to any tube can melt the tube. Service personnel must use the appropriate heat level for the size of the tube being brazed. Note: The use of a heat shield when brazing is recommended to avoid burning the serial plate or the finish on the unit.

1. The ends of the refrigerant lines must be cut square, deburred, cleaned, and be round and free from nicks or dents. Any other condition increases the chance of a refrigerant leak.
2. "Sweep" the refrigerant line with nitrogen or inert gas during brazing to prevent the formation of copper-oxide inside the refrigerant lines. The POE oils used in R-410A applications will clean any copper-oxide present from the inside of the refrigerant lines and spread it throughout the system. This may cause a blockage or failure of the metering device.
3. After brazing, quench the joints with water or a wet cloth to prevent overheating of the service valve.
4. Ensure the filter drier paint finish is intact after brazing. If the paint of the steel filter drier has been burned or chipped, repaint or treat with a rust preventative. This is especially important on suction line filter driers which are continually wet when the unit is operating.

**NOTE:** Be careful not to kink or dent refrigerant lines. Kinked or dented lines will cause poor performance or compressor damage.

Do NOT make final refrigerant line connection until plugs are removed from refrigerant tubing.

**NOTE:** Before brazing, verify indoor piston size by checking the piston kit chart packaged with indoor unit.

## Leak Testing (Nitrogen or Nitrogen-Traced)

### WARNING

To avoid the risk of fire or explosion, never use oxygen, high pressure air or flammable gases for leak testing of a refrigeration system.

### WARNING

To avoid possible explosion, the line from the nitrogen cylinder must include a pressure regulator and a pressure relief valve. The pressure relief valve must be set to open at no more than 150 psig.

Pressure test the system using dry nitrogen and soapy water to locate leaks. If you wish to use a leak detector, charge the system to 10 psi using the appropriate refrigerant then use nitrogen to finish charging the system to working pressure then apply the detector to suspect areas. If leaks are found, repair them. After repair, repeat the pressure test. If no leaks exist, proceed to system evacuation.

## System Evacuation

Condensing unit liquid and suction valves are closed to contain the charge within the unit. The unit is shipped with the valve stems closed and caps installed. **Do not open valves until the system is evacuated.**

### WARNING

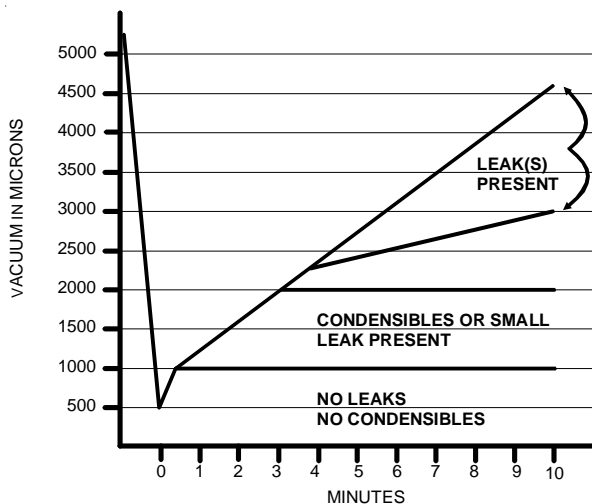
**REFRIGERANT UNDER PRESSURE!**  
Failure to follow proper procedures may cause property damage, personal injury or death.

**NOTE:** Scroll compressors should never be used to evacuate or pump down a heat pump or air conditioning system.

### CAUTION

Prolonged operation at suction pressures less than 20 psig for more than 5 seconds will result in overheating of the scrolls and permanent damage to the scroll tips, drive bearings and internal seal.

1. Connect the vacuum pump with 250 micron capability to the service valves.
2. Evacuate the system to 250 microns or less using suction **and** liquid service valves. Using both valves is necessary as some compressors create a mechanical seal separating the sides of the system.
3. Close pump valve and hold vacuum for 10 minutes. Typically pressure will rise during this period.
  - If the pressure rises to 1000 microns or less and remains steady the system is considered leak-free; proceed to startup.



- If pressure rises above 1000 microns but holds steady below 2000 microns, moisture and/or noncondensibles may be present or the system may have a small leak. Return to step 2: If the same result is encountered check for leaks as previously indicated and repair as necessary then repeat evacuation.
- If pressure rises above 2000 microns, a leak is present. Check for leaks as previously indicated and repair as necessary then repeat evacuation.

## Electrical Connections

**WARNING**

**HIGH VOLTAGE!**  
 Disconnect ALL power before servicing. Multiple power sources may be present. Failure to do so may cause property damage, personal injury or death due to electric shock. Wiring must conform with NEC or CEC and all local codes. Undersized wires could cause poor equipment performance, equipment damage or fire.

**WARNING**

To avoid the risk of fire or equipment damage, use copper conductors.

**NOTICE**

Units with reciprocating compressors and non-bleed TXV's require a Hard Start Kit.

The condensing unit rating plate lists pertinent electrical data necessary for proper electrical service and overcurrent protection. Wires should be sized to limit voltage drop to 2% (max.) from the main breaker or fuse panel to the condensing unit. Consult the NEC, CEC, and all local codes to determine the correct wire gauge and length.

Local codes often require a disconnect switch located near the unit; do not install the switch on the unit. Refer to the installation instructions supplied with the indoor furnace/air handler for specific wiring connections and indoor unit configuration. Likewise, consult the instructions packaged with the thermostat for mounting and location information.

## Overcurrent Protection

The following overcurrent protection devices are approved for use.

- Time delay fuses
- HACR type circuit breakers

These devices have sufficient time delay to permit the motor-compressor to start and accelerate its load.

## Three Phase Compressor Rotation

**CAUTION**

Use care when handling scroll compressors. Dome temperatures could be hot.

Three phase compressors are power phase dependent and can rotate in either direction.

Verify proper rotation for three phase compressors by ensuring the suction pressure drops and discharge pressure rises when the compressor is energized. **NOTE:** When operated in reverse, a three phase scroll compressors is noisier and its current draw substantially reduced compared to marked values.

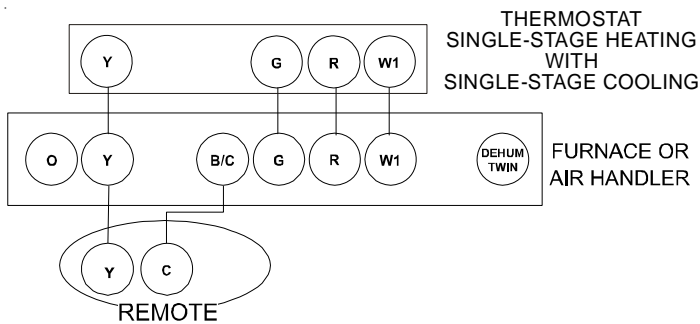
To correct, disconnect power and switch any two leads at the unit contactor and re-observe.

## High Voltage Connections

Route power supply and ground wires through the high voltage port and terminate in accordance with the wiring diagram provided inside the control panel cover.

## Low Voltage Connections

Condensing unit control wiring requires 24 Volt minimum, 25VA service from the indoor transformer. Low voltage wiring for two-stage units depends on the thermostat used and the number of control wires between the indoor unit and the condensing unit. Route control wires through the low voltage port and terminate in accordance with the wiring diagram provided inside the control panel cover.



**Single-Stage Thermostat  
with Two Low Voltage Wires to Remote**

## System Start Up

### **CAUTION**

**POSSIBLE REFRIGERANT LEAK**  
To avoid a possible refrigerant leak, open the service valves until the top of the stem is 1/8" from the retainer.

When opening valves with retainers, open each valve only until the top of the stem is 1/8" from the retainer. To avoid loss of refrigerant, DO NOT apply pressure to the retainer. When opening valves without a retainer remove service valve cap and insert a hex wrench into the valve stem and back out the stem by turning the hex wrench counterclockwise. Open the valve until it contacts the rolled lip of the valve body.

**NOTE:** These are not back-seating valves. It is not necessary to force the stem tightly against the rolled lip.

**NOTE:** Power must be supplied to the 18 SEER outdoor units containing ECM motors before the power is applied to the indoor unit. Sending a low voltage signal without high voltage power present at the outdoor unit can cause malfunction of the control module on the ECM motor.

Adequate refrigerant charge for a matching evaporator and 15 feet lineset is supplied with the condensing unit. If line set exceeds 15 feet in length, refrigerant should be added at .6 ounces per foot of liquid line.

Open the suction service valve first! If the liquid service valve is opened first, oil from the compressor may be drawn into the indoor coil TXV, restricting refrigerant flow and affecting operation of the system.

After the refrigerant charge has bled into the system, open the liquid service valve. The service valve cap is the secondary seal for the valves and must be properly tightened to prevent leaks. Make sure cap is clean and apply refrigerant oil to threads and sealing surface on inside of cap. Tighten cap finger-tight and then tighten additional 1/6 of a turn (1 wrench flat), or to the following specification, to properly seat the sealing surfaces.

1. 3/8" valve to 5 - 10 in-lbs
2. 5/8" valve to 5 - 20 in-lbs
3. 3/4" valve to 5 - 20 in-lbs
4. 7/8" valve to 5 - 20 in-lbs

Do not introduce liquid refrigerant from the cylinder into the crankcase of the compressor as this may damage the compressor.

### **CAUTION**

**POSSIBLE REFRIGERANT LEAK**  
To avoid a possible refrigerant leak, open the service valves until the top of the stem is 1/8" from the retainer.

1. Break vacuum by fully opening liquid and suction base valves.
2. Set thermostat to call for cooling. Check indoor and outdoor fan operation and allow system to stabilize for 10 minutes for fixed orifices and 20 minutes for expansion valves.

## Charge Verification

### **WARNING**

**REFRIGERANT UNDER PRESSURE!**

- Do not overcharge system with refrigerant.
- Do not operate unit in a vacuum or at negative pressure.

Failure to follow proper procedures may cause property damage, personal injury or death.

### **CAUTION**

Use refrigerant certified to AHRI standards. Used refrigerant may cause compressor damage. Most portable machines cannot clean used refrigerant to meet AHRI standards.

### **NOTICE**

Violation of EPA regulations may result in fines or other penalties.

### **CAUTION**

Operating the compressor with the suction valve closed will void the warranty and cause serious compressor damage.

## Final Charge Adjustment

The outdoor temperature must be 60°F or higher. Set the room thermostat to COOL, fan switch to AUTO, and set the temperature control well below room temperature.

After system has stabilized per startup instructions, check subcooling and superheat as detailed in the following section.

## Fixed Orifice



### CAUTION

To prevent personal injury, carefully connect and disconnect manifold gauge hoses. Escaping liquid refrigerant can cause burns. Do not vent refrigerant into the atmosphere. Recover all refrigerant during system repair and before final unit disposal.

1. Purge gauge lines. Connect service gauge manifold to base-valve service ports. Run system at least 10 minutes to allow pressure to stabilize.
  2. Temporarily install a thermometer 4-6" from the compressor on the suction line. Ensure the thermometer makes adequate contact and is insulated for best possible readings. Use vapor temperature to determine superheat.
  3. Refer to the superheat table provided for proper system superheat. Add charge to lower superheat or recover charge to raise superheat.
  4. Disconnect manifold set, installation is complete.
- Superheat Formula = Suct. Line Temp. - Sat. Suct. Temp.

| SYSTEM SUPERHEAT                 |                                 |      |      |      |      |      |      |      |      |
|----------------------------------|---------------------------------|------|------|------|------|------|------|------|------|
| Outdoor Dry Bulb Temperature, °F | Indoor Wet Bulb Temperature, °F |      |      |      |      |      |      |      |      |
|                                  | 55                              | 57   | 59   | 61   | 63   | 65   | 67   | 69   | 71   |
| 60                               | 10                              | 13   | 17   | 20   | 23   | 26   | 29   | 30   | 31   |
| 65                               | 8                               | 11   | 14   | 16   | 19   | 22   | 26   | 27   | 29   |
| 70                               | 5                               | 8    | 10   | 13   | 15   | 19   | 23   | 24   | 25   |
| 75                               | ----                            | ---- | 6    | 9    | 11   | 15   | 20   | 21   | 23   |
| 80                               | ----                            | ---- | ---- | ---- | 7    | 12   | 17   | 18   | 20   |
| 85                               | ----                            | ---- | ---- | ---- | ---- | 8    | 13   | 15   | 16   |
| 90                               | ----                            | ---- | ---- | ---- | ---- | 5    | 10   | 11   | 13   |
| 95                               | ----                            | ---- | ---- | ---- | ---- | ---- | 5    | 8    | 10   |
| 100                              | ----                            | ---- | ---- | ---- | ---- | ---- | ---- | 5    | 8    |
| 105                              | ----                            | ---- | ---- | ---- | ---- | ---- | ---- | ---- | 5    |
| 110                              | ----                            | ---- | ---- | ---- | ---- | ---- | ---- | ---- | ---- |
| 115                              | ----                            | ---- | ---- | ---- | ---- | ---- | ---- | ---- | ---- |

SUPERHEAT FORMULA = SUCT. LINE TEMP. - SAT. SUCT. TEMP.

| SATURATED SUCTION PRESSURE<br>TEMPERATURE CHART |                                     |      |
|---|-------------------------------------|------|
| SUCTION PRESSURE                                | SATURATED SUCTION<br>TEMPERATURE °F |      |
|   | PSIG                                | R-22 |
| 50  | 26                                  | 1    |
| 52  | 28                                  | 3    |
| 54  | 29                                  | 4    |
| 56  | 31                                  | 6    |
| 58  | 32                                  | 7    |
| 60  | 34                                  | 8    |
| 62  | 35                                  | 10   |
| 64  | 37                                  | 11   |
| 66  | 38                                  | 13   |
| 68  | 40                                  | 14   |
| 70  | 41                                  | 15   |
| 72  | 42                                  | 16   |
| 74  | 44                                  | 17   |
| 76  | 45                                  | 19   |
| 78  | 46                                  | 20   |
| 80  | 48                                  | 21   |
| 85  | 50                                  | 24   |
| 90  | 53                                  | 26   |
| 95  | 56                                  | 29   |
| 100   | 59                                  | 31   |
| 110   | 64                                  | 36   |
| 120   | 69                                  | 41   |
| 130   | 73                                  | 45   |
| 140   | 78                                  | 49   |
| 150   | 83                                  | 53   |
| 160   | 86                                  | 56   |
| 170   | 90                                  | 60   |

| SATURATED LIQUID PRESSURE<br>TEMPERATURE CHART |                                    |      |
|--|------------------------------------|------|
| LIQUID PRESSURE                                | SATURATED LIQUID<br>TEMPERATURE °F |      |
|  | PSIG                               | R-22 |
| 200  | 101                                | 70   |
| 210  | 105                                | 73   |
| 220  | 108                                | 76   |
| 225  | 110                                | 78   |
| 235  | 113                                | 80   |
| 245  | 116                                | 83   |
| 255  | 119                                | 85   |
| 265  | 121                                | 88   |
| 275  | 124                                | 90   |
| 285  | 127                                | 92   |
| 295  | 130                                | 95   |
| 305  | 133                                | 97   |
| 325  | 137                                | 101  |
| 355  | 144                                | 108  |
| 375  | 148                                | 112  |
| 405  | 155                                | 118  |
| 415  | 157                                | 119  |
| 425  | n/a                                | 121  |
| 435  | n/a                                | 123  |
| 445  | n/a                                | 125  |
| 475  | n/a                                | 130  |
| 500  | n/a                                | 134  |
| 525  | n/a                                | 138  |
| 550  | n/a                                | 142  |
| 575  | n/a                                | 145  |
| 600  | n/a                                | 149  |
| 625  | n/a                                | 152  |

**NOTE: SPECIFICATIONS AND PERFORMANCE DATA LISTED HEREIN ARE SUBJECT TO CHANGE WITHOUT NOTICE.**



## Expansion Valve System

**NOTE: Units matched with indoor coils equipped with non-adjustable TXV should be charged by subcooling only.**

1. Purge gauge lines. Connect service gauge manifold to base-valve service ports. Run system at least 10 minutes to allow pressure to stabilize.
2. Temporarily install a thermometer on the liquid line at the liquid line service valve and 4-6" from the compressor on the suction line. Ensure the thermometer makes adequate contact and is insulated for best possible readings. Use liquid line temperature to determine sub-cooling and vapor temperature to determine superheat.
3. Check subcooling and superheat. Systems with TXV application should have a subcooling of 7 to 9 °F and superheat of 7 to 9 °F.
  - a. If subcooling and superheat are low, **adjust** TXV to 7 to 9 °F superheat, then check subcooling.

**NOTE:** To adjust superheat, turn the valve stem clockwise to increase and counter clockwise to decrease.

- b. If subcooling is low and superheat is high, **add** charge to raise subcooling to 7 to 9 °F then check superheat.
- c. If subcooling and superheat are high, **adjust** TXV valve to 7 to 9 °F superheat, then check subcooling.
- d. If subcooling is high and superheat is low, **adjust** TXV valve to 7 to 9 °F superheat and **remove** charge to lower the subcooling to 7 to 9 °F.

**NOTE:** Do **NOT** adjust the charge based on suction pressure unless there is a gross undercharge.

4. Disconnect manifold set, installation is complete.  
Subcooling Formula = Sat. Liquid Temp. - Liquid Line Temp.

**NOTE:** Check the Schrader ports for leaks and tighten valve cores if necessary. Install caps finger-tight.

# Troubleshooting Information

| Complaint                         | No Cooling |                       |                                      |   |                               |                              | Unsatisfactory Cooling                 |                               |   |                            | System Operating Pressures   |                                      |                     |                      | Test Method Remedy |                   |  |
|-----------------------------------|------------|-----------------------|--------------------------------------|---|-------------------------------|------------------------------|--|-------------------------------|---|----------------------------|------------------------------|--------------------------------------|---------------------|----------------------|--------------------|-------------------|--|
|                                   | SYMPTOM    | System will not start | Compressor will not start - fan runs | Compressor and Condenser Fan will not start | Evaporator fan will not start | Condenser fan will not start | Compressor runs - goes off on overload | Compressor cycles on overload | System runs continuously - little cooling | Too cool and then too warm | Not cool enough on warm days | Certain areas to cool others to warm | Compressor is noisy | Low suction pressure |                    | Low head pressure | High suction pressure                    |
| Power Failure                     |            | •                     |                                      |   |                               |                              |  |                               |   |                            |                              |                                      |                     |                      |                    |                   | Test Voltage                             |
| Blown Fuse                        |            | •                     |                                      | •   | •                             |                              |  |                               |   |                            |                              |                                      |                     |                      |                    |                   | Impact Fuse Size & Type                  |
| Loose Connection                  |            | •                     |                                      | •   | •                             | •                            |  |                               |   |                            |                              |                                      |                     |                      |                    |                   | Inspect Connection - Tighten             |
| Shorted or Broken Wires           |            | •                     | •                                    | •   | •                             | •                            |  |                               |   |                            |                              |                                      |                     |                      |                    |                   | Test Circuits with Ohmmeter              |
| Open Overload                     |            |                       |                                      | •   | •                             |                              |  |                               |   |                            |                              |                                      |                     |                      |                    |                   | Test Continuity of Overloads             |
| Faulty Thermostat                 |            | •                     |                                      | •   | •                             |                              |  |                               | •   |                            |                              |                                      |                     |                      |                    |                   | Test Continuity of Thermostat and Wiring |
| Faulty Transformer                |            | •                     |                                      | •   |                               |                              |  |                               |   |                            |                              |                                      |                     |                      |                    |                   | Check Control Circuit with Voltmeter     |
| Shorted or Open Capacitor         |            |                       | •                                    | •   | •                             | •                            |  |                               |   |                            |                              |                                      |                     |                      |                    |                   | Test Capacitor                           |
| Internal Compressor Overload Open |            |                       | •                                    |   |                               |                              |  |                               |   |                            |                              |                                      |                     |                      |                    |                   | Test Continuity of Overload              |
| Shorted or Grounded Compressor    |            |                       | •                                    |   |                               | •                            |  |                               |   |                            |                              |                                      |                     |                      |                    |                   | Test Motor Windings                      |
| Compressor Stuck                  |            | •                     |                                      |   |                               | •                            |  |                               |   |                            |                              |                                      |                     |                      |                    |                   | Use Test Cord                            |
| Faulty Compressor Contactor       |            | •                     | •                                    | •   |                               | •                            |  |                               |   |                            |                              |                                      |                     |                      |                    |                   | Test Continuity of Coil and Contacts     |
| Faulty Fan Relay                  |            |                       |                                      | •   |                               |                              |  |                               |   |                            |                              |                                      |                     |                      |                    |                   | Test Continuity of Coil and Contacts     |
| Open Control Circuit              |            |                       |                                      |   |                               |                              |  |                               |   |                            |                              |                                      |                     |                      |                    |                   | Test Control Circuit with Voltmeter      |
| Low Voltage                       |            | •                     |                                      |   |                               | •                            | •                                      |                               |   |                            |                              |                                      |                     |                      |                    |                   | Test Voltage                             |
| Faulty Evaporator Fan Motor       |            |                       |                                      | •   |                               |                              |  |                               |   |                            |                              |                                      | •                   |                      |                    |                   | Repair or Replace                        |
| Shorted or Grounded Fan Motor     |            |                       |                                      | •   | •                             |                              |  |                               |   |                            |                              |                                      |                     |                      |                    | •                 | Test Motor Windings                      |
| Improper Cooling Anticipator      |            |                       |                                      |   |                               |                              |  | •                             |   |                            |                              |                                      |                     |                      |                    |                   | Check Resistance of Anticipator          |
| Shortage or Refrigerant           |            |                       |                                      |   |                               |                              | •                                      | •                             |   |                            |                              |                                      | •                   | •                    |                    |                   | Test For Leaks, Add Refrigerant          |
| Restricted Liquid Line            |            |                       |                                      |   |                               |                              | •                                      | •                             |   |                            |                              |                                      | •                   | •                    |                    |                   | Replace Restricted Part                  |
| Undersized Liquid Line            |            |                       |                                      |   |                               |                              | •                                      |                               | •   |                            |                              |                                      | •                   |                      |                    |                   | Replace Line                             |
| Undersized Suction Line           |            |                       |                                      |   |                               |                              |  |                               |   |                            |                              |                                      | •                   |                      |                    |                   | Replace Line                             |
| Not Enough Air across Indoor Coil |            |                       |                                      |   |                               |                              | •                                      |                               | •   | •                          |                              |                                      | •                   |                      |                    |                   | Speed Blower, Check Duct Static Pressure |
| Too Much Air across Indoor Coil   |            |                       |                                      |   |                               |                              |  |                               |   |                            |                              |                                      |                     |                      | •                  |                   | Reduce Blower Speed                      |
| Overcharge of Refrigerant         |            |                       |                                      |   |                               | •                            | •                                      |                               |   |                            |                              |                                      | •                   |                      | •                  | •                 | Recover Part of Charge                   |
| Noncondensibles                   |            |                       |                                      |   |                               |                              | •                                      |                               | •   |                            |                              |                                      |                     |                      | •                  |                   | Recover Charge, Evacuate, Recharge       |
| Recirculation of Condensing Air   |            |                       |                                      |   |                               |                              | •                                      |                               | •   |                            |                              |                                      |                     |                      | •                  |                   | Remove Obstruction to Air Flow           |
| Infiltration of Outdoor Air       |            |                       |                                      |   |                               |                              | •                                      |                               | •   | •                          |                              |                                      |                     |                      |                    |                   | Check Windows, Doors, Vent Fans, Etc.    |
| Improperly Located Thermostat     |            |                       |                                      |   |                               |                              |  |                               | •   |                            |                              |                                      |                     |                      |                    |                   | Relocate Thermostat                      |
| Air Flow Unbalanced               |            |                       |                                      |   |                               |                              |  |                               | •   |                            | •                            |                                      |                     |                      |                    |                   | Readjust Air Volume Dampers              |
| System Undersized                 |            |                       |                                      |   |                               |                              |  | •                             |   | •                          |                              |                                      |                     |                      |                    |                   | Refigure Cooling Load                    |
| Broken Internal Parts             |            |                       |                                      |   |                               |                              |  |                               |   |                            |                              |                                      | •                   |                      |                    |                   | Replace Compressor                       |
| Broken Valves                     |            |                       |                                      |   |                               |                              |  |                               |   |                            |                              |                                      | •                   |                      |                    |                   | Test Compressor Efficiency               |
| Inefficient Compressor            |            |                       |                                      |   |                               |                              |  | •                             |   |                            |                              |                                      | •                   | •                    |                    |                   | Test Compressor Efficiency               |
| High Pressure Control Open        |            |                       |                                      | •   |                               |                              |  |                               |   |                            |                              |                                      |                     |                      |                    |                   | Reset and Test Control                   |
| Unbalanced Power, 3PH             |            |                       | •                                    |   |                               | •                            | •                                      |                               |   |                            |                              |                                      |                     |                      |                    |                   | Test Voltage                             |
| Wrong Type Expansion Valve        |            |                       |                                      |   |                               | •                            | •                                      |                               |   | •                          |                              |                                      |                     |                      |                    |                   | Replace Valve                            |
| Expansion Valve Restricted        |            |                       |                                      |   |                               | •                            | •                                      | •                             |   | •                          |                              |                                      | •                   | •                    |                    |                   | Replace Valve                            |
| Oversized Expansion Valve         |            |                       |                                      |   |                               |                              |  |                               |   |                            |                              |                                      | •                   |                      |                    | •                 | Replace Valve                            |
| Undersized Expansion Valve        |            |                       |                                      |   |                               | •                            | •                                      | •                             |   | •                          |                              |                                      | •                   | •                    |                    |                   | Replace Valve                            |
| Expansion Valve Bulb Loose        |            |                       |                                      |   |                               |                              |  |                               |   |                            |                              |                                      | •                   |                      |                    | •                 | Tighten Bulb Bracket                     |
| Inoperative Expansion Valve       |            |                       |                                      |   |                               | •                            | •                                      |                               |   |                            |                              |                                      | •                   |                      |                    |                   | Check Valve Operation                    |
| Loose Hold-down Bolts             |            |                       |                                      |   |                               |                              |  |                               |   |                            |                              |                                      | •                   |                      |                    |                   | Tighten Bolts                            |

For detailed service information refer to the Remote Condensing Unit Service manual.

## NOTICE

Units with rotary or reciprocating compressors and non-bleed TXV's require a Hard Start Kit.

THIS PAGE LEFT INTENTIONALLY BLANK

# SPLIT SYSTEMS

## AIR CONDITIONING AND HEAT PUMP HOMEOWNER'S ROUTINE MAINTENANCE RECOMMENDATIONS

We strongly recommend a bi-annual maintenance checkup be performed before the heating and cooling seasons begin by a **qualified servicer**.

### REPLACE OR CLEAN FILTER

**IMPORTANT NOTE:** Never operate unit without a filter installed as dust and lint will build up on internal parts resulting in loss of efficiency, equipment damage and possible fire.

An indoor air filter must be used with your comfort system. A properly maintained filter will keep the indoor coil of your comfort system clean. A dirty coil could cause poor operation and/or severe equipment damage.

Your air filter or filters could be located in your furnace, in a blower unit, or in "filter grilles" in your ceiling or walls. The installer of your air conditioner or heat pump can tell you where your filter(s) are, and how to clean or replace them.

Check your filter(s) at least once a month. When they are dirty, replace or clean as required. Disposable type filters should be replaced. Reusable type filters may be cleaned.

You may want to ask your dealer about high efficiency filters. High efficiency filters are available in both electronic and non-electronic types. These filters can do a better job of catching small airborne particles.

### COMPRESSOR

The compressor motor is hermetically sealed and does not require additional oiling.

### MOTORS

Indoor and outdoor fan motors are permanently lubricated and do not require additional oiling.

### CLEAN OUTSIDE COIL (QUALIFIED SERVICER ONLY)

#### **WARNING**

#### **HIGH VOLTAGE!**

**DISCONNECT ALL POWER BEFORE SERVICING.  
MULTIPLE POWER SOURCES MAY BE PRESENT.  
FAILURE TO DO SO MAY CAUSE PROPERTY DAMAGE,  
PERSONAL INJURY OR DEATH.**



Air must be able to flow through the outdoor unit of your comfort system. Do not construct a fence near the unit or build a deck or patio over the unit without first discussing your plans with your dealer or other qualified servicer. Restricted airflow could lead to poor operation and/or severe equipment damage.

Likewise, it is important to keep the outdoor coil clean. Dirt, leaves, or debris could also restrict the airflow. If cleaning of the outdoor coil becomes necessary, hire a qualified servicer. Inexperienced people could easily puncture the tubing in the coil. Even a small hole in the tubing could eventually cause a large loss of refrigerant. Loss of refrigerant can cause poor operation and/or severe equipment damage.

Do not use a condensing unit cover to "protect" the outdoor unit during the winter, unless you first discuss it with your dealer. Any cover used must include "breathable" fabric to avoid moisture buildup.

## BEFORE CALLING YOUR SERVICER

- Check the thermostat to confirm that it is properly set.
- Wait 15 minutes. Some devices in the outdoor unit or in programmable thermostats will prevent compressor operation for awhile, and then reset automatically. Also, some power companies will install devices which shut off air conditioners for several minutes on hot days. If you wait several minutes, the unit may begin operation on its own.
- Check the electrical panel for tripped circuit breakers or failed fuses. Reset the circuit breakers or replace fuses as necessary.
- Check the disconnect switch near the indoor furnace or blower to confirm that it is closed.
- Check for obstructions on the outdoor unit. Confirm that it has not been covered on the sides or the top. Remove any obstruction that can be safely removed. If the unit is covered with dirt or debris, call a qualified servicer to clean it.
- Check for blockage of the indoor air inlets and outlets. Confirm that they are open and have not been blocked by objects (rugs, curtains or furniture).
- Check the filter. If it is dirty, clean or replace it.
- Listen for any unusual noise(s), other than normal operating noise, that might be coming from the outdoor unit. If you hear unusual noise(s) coming from the unit, call a qualified servicer.



#### **CAUTION**

**TO AVOID THE RISK OF EQUIPMENT DAMAGE OR FIRE, INSTALL THE SAME AMPERAGE BREAKER OR FUSE AS YOU ARE REPLACING. IF THE CIRCUIT BREAKER OR FUSE SHOULD OPEN AGAIN WITHIN THIRTY DAYS, CONTACT A QUALIFIED SERVICER TO CORRECT THE PROBLEM. IF YOU REPEATEDLY RESET THE BREAKER OR REPLACE THE FUSE WITHOUT HAVING THE PROBLEM CORRECTED, YOU RUN THE RISK OF SEVERE EQUIPMENT DAMAGE.**