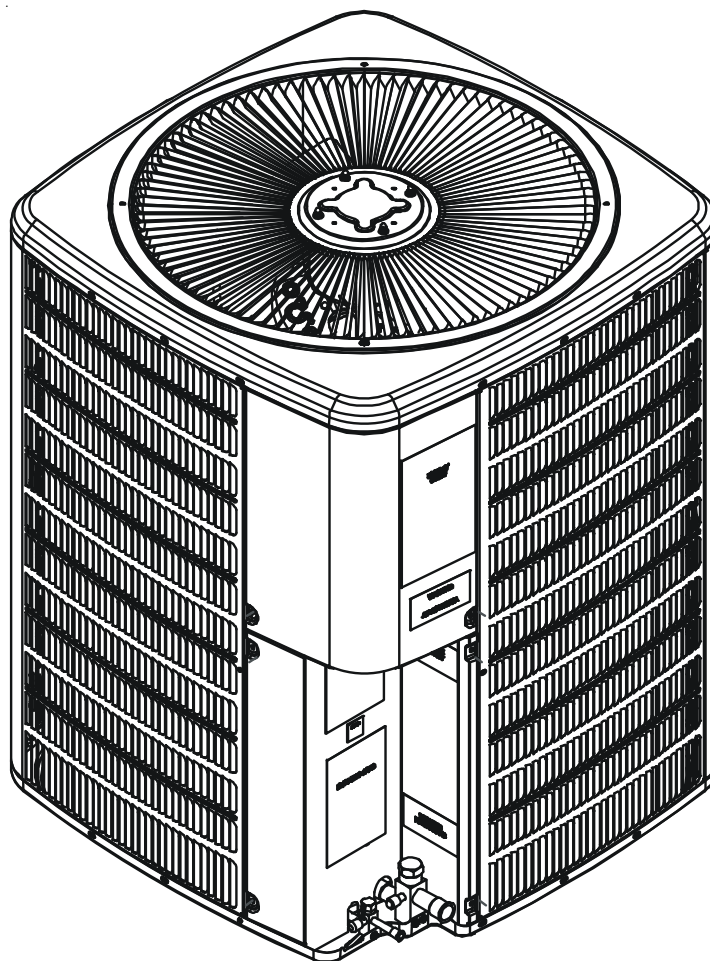


Goodman® TECHNICAL MANUAL

GSX 13 SEER Single Phase Condensing Units with R-410A

- Refer to Service Manual RS6200006 for installation, operation, and troubleshooting information.
- All safety information must be followed as provided in the Service Manual.
- Refer to the appropriate Parts Catalog for part number information.
- Models listed on page 3.

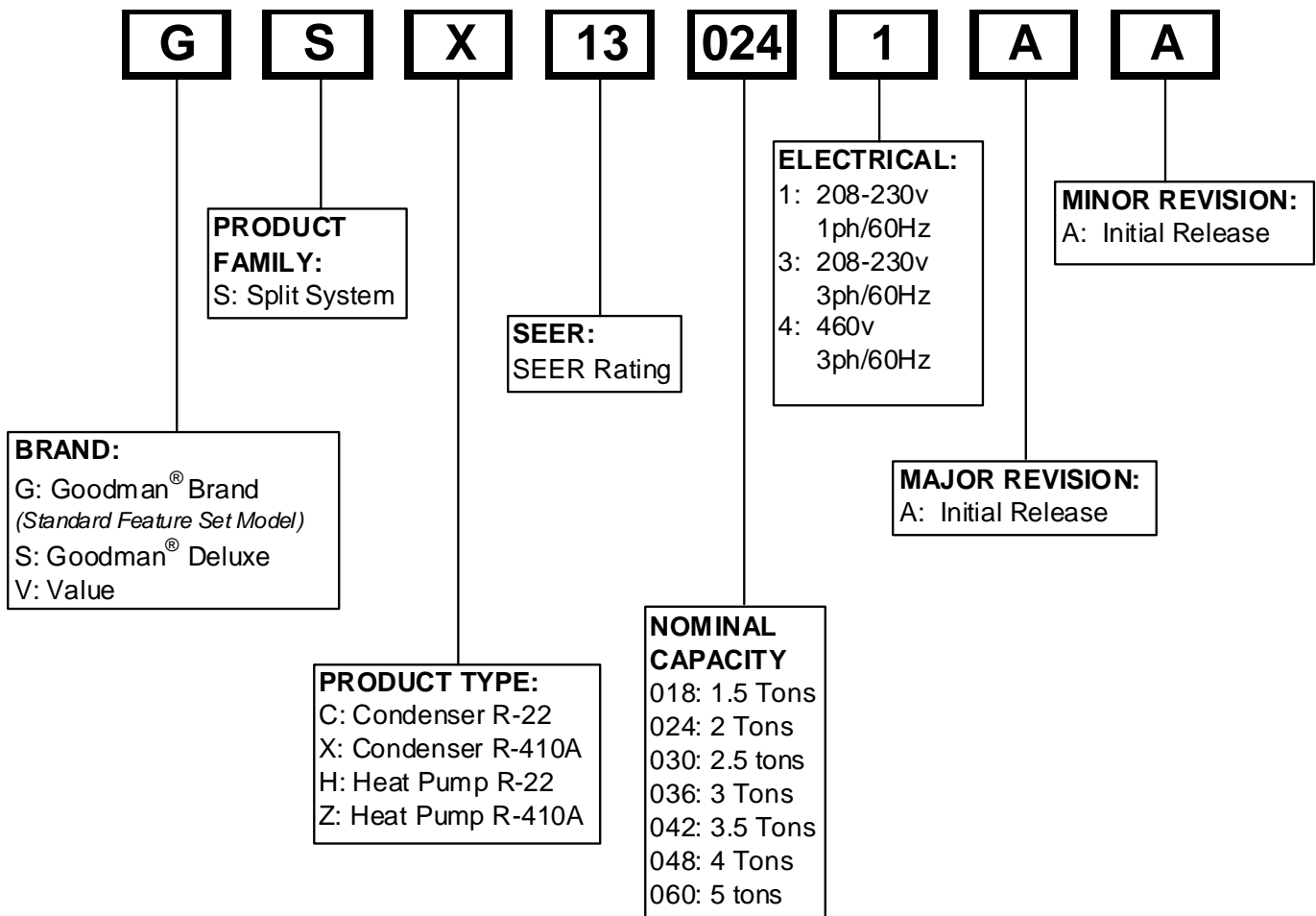


This manual is to be used by qualified, professionally trained HVAC technicians only. Goodman does not assume any responsibility for property damage or personal injury due to improper service procedures or services performed by an unqualified person.

RT6113008r7
December 2012

PRODUCT IDENTIFICATION

The model number is used for positive identification of component parts used in manufacturing. Please use this number when requesting service or parts information.



WARNING

HIGH VOLTAGE!

Disconnect ALL power before servicing or installing this unit. Multiple power sources may be present. Failure to do so may cause property damage, personal injury or death.

WARNING

Goodman will not be responsible for any injury or property damage arising from improper service or service procedures. If you install or perform service on this unit, you assume responsibility for any personal injury or property damage which may result. Many jurisdictions require a license to install or service heating and air conditioning equipment.

WARNING

Installation and repair of this unit should be performed ONLY by individuals meeting (at a minimum) the requirements of an "entry level technician", as specified by the Air Conditioning, Heating, and Refrigeration Institute (AHRI). Attempting to install or repair this unit without such background may result in product damage, personal injury or death.

PRODUCT IDENTIFICATION

The model number is used for positive identification of component parts used in manufacturing. Please use this number when requesting service or parts information.

GSX130181A*	GSX130181C*
GSX130241A*	GSX130361C*
GSX130301A*	
GSX130361A*	GSX130181D*
GSX130421A*	GSX130241D*
GSX130481A*	GSX130301D*
GSX130601A*	GSX130361D*
GSX130611A*	
	GSX130181E*
	GSX130361E*
GSX130181B*	
GSX130241B*	
GSX130301B*	
GSX130361B*	
GSX130421B*	
GSX130481B*	
GSX130601B*	

** Indicates minor revision & is not used for order entry or inventory management*



The United States Environmental Protection Agency ("EPA") has issued various regulations regarding the introduction and disposal of refrigerants introduced into this unit. Failure to follow these regulations may harm the environment and can lead to the imposition of substantial fines. These regulations may vary by jurisdiction. Should questions arise, contact your local EPA office.



Do not connect or use any device that is not design certified by Goodman for use with this unit. Serious property damage, personal injury, reduced unit performance and/or hazardous conditions may result from the use of such non-approved devices.



To prevent the risk of property damage, personal injury, or death, do not store combustible materials or use gasoline or other flammable liquids or vapors in the vicinity of this appliance.

PRODUCT DESIGN

GSX13 models are available in 1 1/2 through 5 ton sizes and use R-410A refrigerant. They are designed for 208/230 volt single phase applications.

The condenser air is pulled through the condenser coil by a direct drive propeller fan. This condenser air is then discharged out of the top of the cabinet.

These units are designed for free air discharge, so no additional resistance like duct work shall be attached.

The suction and liquid line connections on present models are of the sweat type for field piping with refrigerant type copper. Front seating valves are factory installed to accept the field run copper. The total refrigerant charge for a normal installation is factory installed in the condensing unit. GSX units are charged for the matching evaporator coil and a 15 foot refrigerant line set.

Systems should be properly sized by heat gain and loss calculations made according to methods of the Air Conditioning Contractors Association (ACCA) or equivalent. It is the contractors responsibility to ensure the system has adequate capacity to heat or cool the conditioned space.

GSX models use the Copeland Scroll "Ultratech" Series compressors which are specifically designed for R-410A refrigerant. There are a number of design characteristics which are different from the traditional reciprocating and/or scroll compressors.

"Ultratech" Series scroll compressors will not have a discharge thermostat, some of the early model scroll compressors required discharge thermostats.

Due to their design Scroll compressors are inherently more tolerant of small quantities of liquid refrigerant.

NOTE: Even though the compressor section of a Scroll compressor is more tolerant of liquid refrigerant, continued floodback or flooded start conditions may wash oil from the bearing surfaces causing premature bearing failure.

"Ultratech" Series scroll compressors use "POE" or polyolester oil which is **NOT** compatible with mineral oil based lubricants like 3GS. "POE" oil must be used if additional oil is required.

Operating pressures and amp draws may differ from standard reciprocating and/or scroll compressors. This information may be found in the "Cooling Performance Data" section.

IMPORTANT NOTE: Because of the potential damage to compressors, do not allow suction pressure at service valve to drop below 20 PSIG when pumping unit system down for repair. Outdoor section, depending on line set length and amount of charge in system, may not be able to hold the entire system charge.



WARNING

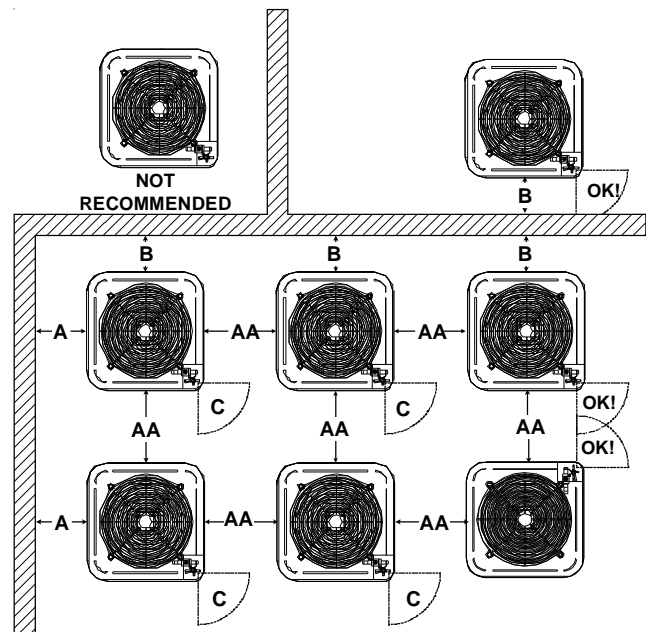
To avoid possible injury, explosion or death, practice safe handling of refrigerants.

Special consideration must be given to location of the condensing unit(s) in regard to structures, obstructions, other units, and any/all other factors that may interfere with air circulation. Where possible, the top of the unit should be completely unobstructed; however, if vertical conditions require placement beneath an obstruction **there should be a minimum of 60 inches between the top of the unit and the obstruction(s)**. The specified dimensions meet requirements for air circulation only. Consult all appropriate regulatory codes prior to determining final clearances.

Another important consideration in selecting a location for the unit(s) is the angle to obstructions. Either side adjacent the valves can be placed toward the structure provided the side away from the structure maintains minimum service clearance. Corner installations are strongly discouraged.

DO NOT locate the unit:

- Directly under a vent termination for a gas appliance.
- Within 3 feet of a clothes dryer vent.
- Where the refreezing of defrost water would create a hazard.
- Where water may rise into the unit.

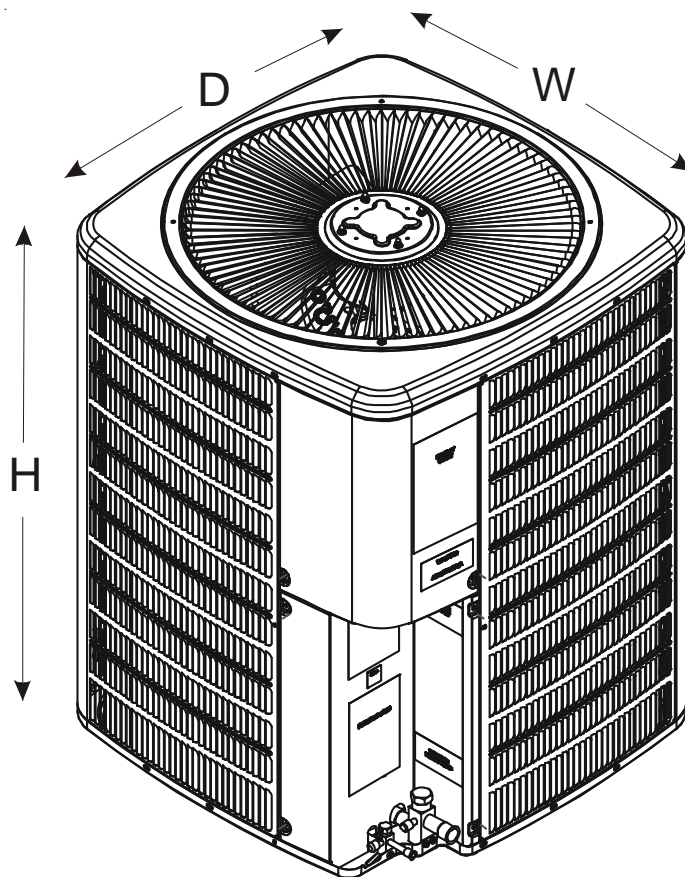


Minimum Airflow Clearance

Model Type	A	B	C	AA
Residential	10"	10"	18"	20"
Light Commercial	12"	12"	18"	24"

PRODUCT DESIGN

DIMENSIONS



Model	Dimensions - W x D x H
GSX130181A*	26" x 26" x 32¼"
GSX130241A*	26" x 26" x 32¼"
GSX130301A*	26" x 26" x 32¼"
GSX130361A*	29" x 29" x 32¼"
GSX130421A*	29" x 29" x 34¼"
GSX130481A*	29" x 29" x 38¼"
GSX130601A*	35½" x 35½" x 38¼"
GSX130611A*	35½" x 35½" x 38¼"

GSX130181B*	26" x 26" x 27½"
GSX130241B*	26" x 26" x 27½"
GSX130301B*	26" x 26" x 27½"
GSX130361B*	29" x 29" x 28¾"
GSX130421B*	29" x 29" x 36¼"
GSX130481B*	29" x 29" x 36¼"
GSX130601B*	29" x 29" x 40"

Model	Dimensions - W x D x H
GSX130181C*	26" x 26" x 27½"
GSX130361C*	29" x 29" x 28¾"

GSX130181D*	23" x 23" x 23" "
GSX130241D*	23" x 23" x 25¾"
GSX130301D*	23½" x 23½" x 25¾"
GSX130361D*	23½" x 23½" x 30¾"

GSX130181E*	23" x 2" x 25¾"
GSX130361E*	26" x 26" x 27½"

CONDENSING UNIT SPECIFICATIONS

GSX130[18-61]1A*

	GSX130181A*	GSX130241A*	GSX130301A*	GSX130361A*
Cooling Capacity, BTUH	18,000	24,000	30,000	36,000
Compressor				
R.L. Amps	9.00	13.4	12.8	16.6
L.R. Amps	48.0	58.3	64.0	79.0
High Pressure Switch				
Open	610 PSIG	610 PSIG	610 PSIG	610 PSIG
Close	420 PSIG	420 PSIG	420 PSIG	420 PSIG
Condenser Fan Motor				
Horsepower	1/6	1/6	1/6	1/6
F.L. Amps	1.10	1.10	1.10	1.10
Liquid Line, Inches O.D.*	3/8"	3/8"	3/8"	3/8"
Suction Line, Inches O.D.*	3/4"	3/4"	3/4"	3/4"
Refrigerant Charge	120.0	116.0	129.0	131.0
Power Supply	208/230-60-1	208/230-60-1	208/230-60-1	208/230-60-1
Minimum Circuit Ampacity ⁽¹⁾	12.3	17.9	17.1	21.9
Maximum Overcurrent Device ⁽²⁾	20	30	30	35
Electrical Conduit Size				
Power Supply (Inches)	1/2 or 3/4	1/2 or 3/4	1/2 or 3/4	1/2 or 3/4
Approximate Shipping Weight	178	178	180	197

	GSX130421A*	GSX130481A*	GSX130601A*	GSX130611A*
Cooling Capacity, BTUH	42,000	48,000	60,000	60,000
Compressor				
R.L. Amps	17.9	19.8	26.4	26.4
L.R. Amps	112.0	109.0	134.0	134.0
High Pressure Switch				
Open	610 PSIG	610 PSIG	610 PSIG	610 PSIG
Close	420 PSIG	420 PSIG	420 PSIG	420 PSIG
Condenser Fan Motor				
Horsepower	1/6	1/4	1/4	1/4
F.L. Amps	1.10	1.50	1.50	1.50
Liquid Line, Inches O.D.*	3/8"	3/8"	3/8"	3/8"
Suction Line, Inches O.D.*	7/8"	7/8"	7/8"	7/8"
Refrigerant Charge	151.0	166.0	184.0	130.0
Power Supply	208/230-60-1	208/230-60-1	208/230-60-1	208/230-60-1
Minimum Circuit Ampacity ⁽¹⁾	23.5	26.3	34.5	34.5
Maximum Overcurrent Device ⁽²⁾	40	45	60	60
Electrical Conduit Size				
Power Supply (Inches)	1/2 or 3/4	1/2 or 3/4	1/2 or 3/4	1/2 or 3/4
Approximate Shipping Weight	219	225	240	240

⁽¹⁾ Wire size should be determined in accordance with National Electrical Codes. Extensive wire runs will require larger wire sizes.

⁽²⁾ Maximum Overcurrent Protection Device: **MUST** use time delay fuses or HACR-type Circuit Breakers of the same size as noted.

NOTES:

- * Always check the S&R plate for electrical data on the unit being installed.
- * Installer will need to supply 7/8" to 1 1/8" adapters for suction line connections.
- * Unit is charged with refrigerant for 15' of 3/8" liquid line. System charge must be adjusted per Installation Instructions Final Charge Procedure.
- * Installation of these units requires the specified TXV Kit to be installed on the indoor coil. THE SPECIFIED TXV IS DETERMINED BY THE OUTDOOR UNIT NOT THE INDOOR COIL.
- * Line sizes denoted for less than 25' line sets, tested and rated in accordance with AHRI Standard 210/240. For other line-set lengths or sizes, refer to the Installation and Operating Instructions and/or the long line-set guidelines.

NOTE: This data is provided as a guide, it is important to electrically connect the unit and properly size fuses/circuit breakers and wires in accordance with all national and/or local electrical codes. Use copper wire only.

CONDENSING UNIT SPECIFICATIONS

GSX130[18-60]1B*

	GSX130181B*	GSX130241B*	GSX130301BA	GSX130301BB	GSX130361B*
Cooling Capacity, BTUH	18,000	24,000	30,000	30,000	36,000
Compressor					
R.L. Amps	9.00	13.5	12.8	12.8	16.7
L.R. Amps	48.0	58.3	64.0	64.0	79.0
High Pressure Switch					
Open	N/A	N/A	N/A	N/A	N/A
Close	N/A	N/A	N/A	N/A	N/A
Condenser Fan Motor					
Horsepower	1/6	1/6	1/6	1/6	1/6
F.L. Amps	1.10	1.10	1.10	1.10	1.10
Liquid Line, Inches O.D.*	3/8"	3/8"	3/8"	3/8"	3/8"
Suction Line, Inches O.D.*	3/4"	3/4"	3/4"	3/4"	3/4"
Refrigerant Charge	72.0	79.0	78.0	69.0	89.0
Power Supply	208/230-60-1	208/230-60-1	208/230-60-1	208/230-60-1	208/230-60-1
Minimum Circuit Ampacity ⁽¹⁾	12.3	18.0	17.1	17.1	21.9
Maximum Overcurrent Device ⁽²⁾	20	30	25	25	35
Electrical Conduit Size					
Power Supply (Inches)	1/2 or 3/4	1/2 or 3/4	1/2 or 3/4	1/2 or 3/4	1/2 or 3/4
Approximate Shipping Weight	149	151	155	155	159

	GSX130421B*	GSX130481B*	GSX130601B*
Cooling Capacity, BTUH	42,000	48,000	60,000
Compressor			
R.L. Amps	17.9	19.9	25.0
L.R. Amps	112.0	109.0	134.0
High Pressure Switch			
Open	N/A	N/A	N/A
Close	N/A	N/A	N/A
Condenser Fan Motor			
Horsepower	1/4	1/4	1/4
F.L. Amps	1.50	1.50	1.50
Liquid Line, Inches O.D.*	3/8"	3/8"	3/8"
Suction Line, Inches O.D.*	7/8"	7/8"	1 1/8"
Refrigerant Charge	90.0	104.0	112.0
Power Supply	208/230-60-1	208/230-60-1	208/230-60-1
Minimum Circuit Ampacity ⁽¹⁾	23.9	26.3	32.8
Maximum Overcurrent Device ⁽²⁾	40	45	45
Electrical Conduit Size			
Power Supply (Inches)	1/2 or 3/4	1/2 or 3/4	1/2 or 3/4
Approximate Shipping Weight	194	195	200

⁽¹⁾ Wire size should be determined in accordance with National Electrical Codes. Extensive wire runs will require larger wire sizes.

⁽²⁾ Maximum Overcurrent Protection Device: **MUST** use time delay fuses or HACR-type Circuit Breakers of the same size as noted.

NOTES:

- * Always check the S&R plate for electrical data on the unit being installed.
- * Installer will need to supply 7/8" to 1 1/8" adapters for suction line connections.
- * Unit is charged with refrigerant for 15' of 3/8" liquid line. System charge must be adjusted per Installation Instructions Final Charge Procedure.
- * Installation of these units requires the specified TXV Kit to be installed on the indoor coil. THE SPECIFIED TXV IS DETERMINED BY THE OUTDOOR UNIT NOT THE INDOOR COIL.
- * Line sizes denoted for less than 25' line sets, tested and rated in accordance with AHRI Standard 210/240. For other line-set lengths or sizes, refer to the Installation and Operating Instructions and/or the long line-set guidelines.

NOTE: This data is provided as a guide, it is important to electrically connect the unit and properly size fuses/circuit breakers and wires in accordance with all national and/or local electrical codes. Use copper wire only.

CONDENSING UNIT SPECIFICATIONS

GSX130[18 & 36]1C*

	GSX130181C*	GSX130361C*
Cooling Capacity, BTUH	18,000	36,000
SEER/EER	13 / 11	13 / 11
Compressor		
R.L. Amps	6.70	14.7
L.R. Amps	40.0	77.0
High Pressure Switch		
Open	N/A	N/A
Close	N/A	N/A
Condenser Fan Motor		
Horsepower	1/6	1/6
F.L. Amps	1.10	1.10
Liquid Line, Inches O.D.*	3/8"	3/8"
Suction Line, Inches O.D.*	3/4"	3/4"
Refrigerant Charge	71.0	89.0
Power Supply	208/230-60-1	208/230-60-1
Minimum Circuit Ampacity ⁽¹⁾	9.5	21.9
Maximum Overcurrent Device ⁽²⁾	15	35
Electrical Conduit Size		
Power Supply (Inches)	1/2 or 3/4	1/2 or 3/4
Approximate Shipping Weight	135	157

⁽¹⁾ Wire size should be determined in accordance with National Electrical Codes. Extensive wire runs will require larger wire sizes.

⁽²⁾ Maximum Overcurrent Protection Device: **MUST** use time delay fuses or HACR-type Circuit Breakers of the same size as noted.

NOTES:

- * Always check the S&R plate for electrical data on the unit being installed.
- * Installer will need to supply 7/8" to 1 1/8" adapters for suction line connections.
- * Unit is charged with refrigerant for 15' of 3/8" liquid line. System charge must be adjusted per Installation Instructions Final Charge Procedure.
- * Installation of these units requires the specified TXV Kit to be installed on the indoor coil. THE SPECIFIED TXV IS DETERMINED BY THE OUTDOOR UNIT NOT THE INDOOR COIL.
- * Line sizes denoted for less than 25' line sets, tested and rated in accordance with AHRI Standard 210/240. For other line-set lengths or sizes, refer to the Installation and Operating Instructions and/or the long line-set guidelines.

NOTE: This data is provided as a guide, it is important to electrically connect the unit and properly size fuses/circuit breakers and wires in accordance with all national and/or local electrical codes. Use copper wire only.

CONDENSING UNIT SPECIFICATIONS

GSX130[18-36]1D*

GSX130[18,36]1E*

	GSX130181D*	GSX130241D*	GSX130301D*	GSX130361D*
Nominal Cooling Capacity, BTUH	18,000	24,000	30,000	36,000
SEER/EER	13 / 11	13 / 11	13 / 11	13 / 11
Compressor				
R.L. Amps	6.70	13.5	12.80	14.1
L.R. Amps	40.0	58.3	64.0	77.0
High Pressure Switch				
Open	N/A	N/A	N/A	N/A
Close	N/A	N/A	N/A	N/A
Condenser Fan Motor				
Horsepower	1/8	1/8	1/8	1/4
F.L. Amps	0.70	0.70	0.70	1.50
Liquid Line, Inches O.D.*	3/8"	3/8"	3/8"	3/8"
Suction Line, Inches O.D.*	3/4"	3/4"	3/4"	7/8"
Refrigerant Charge	70.0	76.0	76.0	77.0
Power Supply	208/230-60-1	208/230-60-1	208/230-60-1	208/230-60-1
Minimum Circuit Ampacity ⁽¹⁾	9.1	17.6	16.7	19.1
Maximum Overcurrent Device ⁽²⁾	15	30	25	30
Electrical Conduit Size				
Power Supply (Inches)	1/2 or 3/4	1/2 or 3/4	1/2 or 3/4	1/2 or 3/4
Approximate Shipping Weight	120	130	130	140

	GSX130181E*	GSX130361E*
Nominal Cooling Capacity, BTUH	17,800	36,000
SEER/EER	13 / 11	13 / 11
Compressor		
R.L. Amps	6.70	14.7
L.R. Amps	41.0	77.0
High Pressure Switch		
Open	N/A	N/A
Close	YES	N/A
Condenser Fan Motor		
Horsepower	1/8	1/4
F.L. Amps	0.70	1.50
Liquid Line, Inches O.D.*	3/8"	3/8"
Suction Line, Inches O.D.*	3/4"	3/4"
Refrigerant Charge	73.0	75.0
Power Supply	208/230-60-1	208/230-60-1
Minimum Circuit Ampacity ⁽¹⁾	9.1	19.1
Maximum Overcurrent Device ⁽²⁾	15	35
Electrical Conduit Size		
Power Supply (Inches)	1/2 or 3/4	1/2 or 3/4
Approximate Shipping Weight	120	159

⁽¹⁾ Wire size should be determined in accordance with National Electrical Codes. Extensive wire runs will require larger wire sizes.

⁽²⁾ Maximum Overcurrent Protection Device: **MUST** use time delay fuses or HACR-type Circuit Breakers of the same size as noted.

NOTES:

- * Always check the S&R plate for electrical data on the unit being installed.
- * Installer will need to supply 7/8" to 1 1/8" adapters for suction line connections.
- * Unit is charged with refrigerant for 15' of 3/8" liquid line. System charge must be adjusted per Installation Instructions Final Charge Procedure.
- * Installation of these units requires the specified TXV Kit to be installed on the indoor coil. THE SPECIFIED TXV IS DETERMINED BY THE OUTDOOR UNIT NOT THE INDOOR COIL.
- * Line sizes denoted for less than 25' line sets, tested and rated in accordance with AHRI Standard 210/240. For other line-set lengths or sizes, refer to the Installation and Operating Instructions and/or the long line-set guidelines.

NOTE: This data is provided as a guide, it is important to electrically connect the unit and properly size fuses/circuit breakers and wires in accordance with all national and/or local electrical codes. Use copper wire only.

COOLING PERFORMANCE DATA

GSX130181A*

EXPANDED PERFORMANCE DATA

EXPANDED PERFORMANCE DATA

MODEL: GSX130181AA / CA*F1824*6** / ZP16K5E-PFV

IDB*	Airflow	Outdoor Ambient Temperature																									
		65				75				85				95				105				115					
		59	63	67	71	59	63	67	71	59	63	67	71	59	63	67	71	59	63	67	71	59	63	67	71		
70	525	MBh	15.8	16.4	17.9	-	15.4	16.0	17.5	-	15.1	15.6	17.1	-	14.7	15.2	16.7	-	14.0	14.5	15.9	-	12.9	13.4	14.7	-	
		S/T	0.66	0.55	0.38	-	0.69	0.57	0.40	-	0.71	0.59	0.41	-	0.73	0.61	0.42	-	0.76	0.63	0.44	-	0.76	0.64	0.44	-	
		Delta T	18	16	12	-	19	16	12	-	19	16	12	-	19	16	12	-	18	16	12	-	17	15	11	-	
		KW	1.22	1.25	1.29	-	1.31	1.34	1.38	-	1.39	1.42	1.47	-	1.46	1.49	1.54	-	1.52	1.56	1.61	-	1.57	1.61	1.66	-	
		AMPS	4.5	4.6	4.7	-	4.8	4.9	5.1	-	5.2	5.4	5.6	-	5.6	5.7	5.9	-	6.0	6.1	6.3	-	6.3	6.5	6.7	-	
		HI/PR	205	220	233	-	230	247	261	-	261	281	297	-	298	320	338	-	335	361	381	-	370	398	421	-	
	LO/PR	101	107	117	-	106	113	124	-	111	118	129	-	116	124	135	-	122	130	141	-	126	134	146	-		
	600	MBh	17.1	17.7	19.4	-	16.7	17.3	19.0	-	16.3	16.9	18.5	-	15.9	16.5	18.1	-	15.1	15.7	17.2	-	14.0	14.5	15.9	-	
		S/T	0.69	0.58	0.40	-	0.71	0.60	0.41	-	0.73	0.61	0.42	-	0.76	0.63	0.44	-	0.78	0.65	0.45	-	0.79	0.66	0.46	-	
		Delta T	18	16	12	-	18	16	12	-	18	16	12	-	18	16	12	-	18	16	12	-	17	15	11	-	
		KW	1.25	1.28	1.32	-	1.35	1.37	1.42	-	1.43	1.46	1.50	-	1.50	1.53	1.58	-	1.56	1.60	1.65	-	1.61	1.65	1.70	-	
		AMPS	4.6	4.7	4.9	-	5.0	5.1	5.3	-	5.4	5.5	5.7	-	5.8	5.9	6.1	-	6.1	6.3	6.5	-	6.5	6.7	6.9	-	
HI/PR		211	227	240	-	237	255	269	-	270	290	306	-	307	330	349	-	345	372	392	-	382	411	434	-		
LO/PR	104	111	121	-	110	117	127	-	114	121	132	-	120	127	139	-	126	134	146	-	130	138	151	-			
675	MBh	17.6	18.3	20.0	-	17.2	17.9	19.6	-	16.8	17.4	19.1	-	16.4	17.0	18.6	-	15.6	16.2	17.7	-	14.4	15.0	16.4	-		
	S/T	0.72	0.60	0.42	-	0.75	0.63	0.43	-	0.77	0.64	0.44	-	0.79	0.66	0.46	-	0.82	0.69	0.48	-	0.83	0.69	0.48	-		
	Delta T	17	15	11	-	18	15	12	-	18	15	12	-	18	15	12	-	17	15	11	-	16	14	11	-		
	KW	1.26	1.29	1.33	-	1.36	1.38	1.43	-	1.44	1.47	1.52	-	1.51	1.54	1.59	-	1.57	1.61	1.66	-	1.63	1.66	1.72	-		
	AMPS	4.6	4.7	4.9	-	5.0	5.1	5.3	-	5.4	5.6	5.8	-	5.8	6.0	6.2	-	6.2	6.3	6.6	-	6.6	6.7	7.0	-		
	HI/PR	213	230	242	-	239	258	272	-	272	293	309	-	310	334	352	-	349	375	396	-	385	415	438	-		
LO/PR	105	112	122	-	111	118	129	-	115	123	134	-	121	129	141	-	127	135	147	-	131	140	152	-			
75	525	MBh	16.1	16.5	17.9	19.2	15.7	16.2	17.5	18.8	15.3	15.8	17.1	18.3	15.0	15.4	16.7	17.9	14.2	14.6	15.8	17.0	13.2	13.5	14.7	15.7	
		S/T	0.75	0.68	0.51	0.33	0.78	0.70	0.53	0.34	0.80	0.72	0.54	0.35	0.83	0.74	0.56	0.36	0.86	0.77	0.58	0.37	0.87	0.78	0.59	0.38	
		Delta T	21	20	16	11	22	20	16	11	22	20	16	11	22	20	16	11	21	20	16	11	20	18	15	10	
		KW	1.23	1.26	1.30	1.34	1.32	1.35	1.39	1.44	1.41	1.43	1.48	1.53	1.48	1.51	1.55	1.61	1.54	1.57	1.62	1.67	1.59	1.62	1.67	1.73	
		AMPS	4.5	4.6	4.8	4.9	4.9	5.0	5.2	5.3	5.3	5.4	5.6	5.8	5.7	5.8	6.0	6.2	6.4	6.0	6.2	6.4	6.6	6.4	6.5	6.8	7.0
		HI/PR	207	223	235	245	232	250	264	275	264	284	300	313	301	324	342	357	338	364	385	401	374	402	425	443	
	LO/PR	102	108	118	126	108	114	125	133	112	119	130	138	117	125	136	145	123	131	143	152	127	135	148	157		
	600	MBh	17.4	17.9	19.4	20.8	17.0	17.5	19.0	20.3	16.6	17.1	18.5	19.9	16.2	16.7	18.1	19.4	15.4	15.8	17.2	18.4	14.3	14.7	15.9	17.1	
		S/T	0.78	0.70	0.53	0.34	0.81	0.73	0.55	0.35	0.83	0.74	0.56	0.36	0.86	0.77	0.58	0.37	0.89	0.80	0.60	0.39	0.90	0.80	0.61	0.39	
		Delta T	21	19	16	11	21	19	16	11	21	19	16	11	21	20	16	11	21	19	16	11	20	18	15	10	
		KW	1.26	1.29	1.33	1.37	1.36	1.38	1.43	1.47	1.44	1.47	1.52	1.56	1.51	1.54	1.59	1.65	1.57	1.61	1.66	1.71	1.63	1.66	1.72	1.77	
		AMPS	4.6	4.7	4.9	5.1	5.0	5.1	5.3	5.5	5.4	5.6	5.8	6.0	5.8	6.0	6.2	6.4	6.2	6.3	6.6	6.8	6.6	6.7	7.0	7.2	
HI/PR		213	230	242	253	239	258	272	284	272	293	309	323	310	334	352	368	349	375	396	414	386	415	438	457		
LO/PR	105	112	122	130	111	118	129	137	115	123	134	143	121	129	141	150	127	135	147	157	131	140	152	162			
675	MBh	17.9	18.5	20.0	21.5	17.5	18.0	19.5	21.0	17.1	17.6	19.1	20.5	16.7	17.2	18.6	20.0	15.9	16.3	17.7	19.0	14.7	15.1	16.4	17.6		
	S/T	0.82	0.73	0.56	0.36	0.85	0.76	0.58	0.37	0.87	0.78	0.59	0.38	0.90	0.81	0.61	0.39	0.93	0.84	0.63	0.41	0.94	0.84	0.64	0.41		
	Delta T	20	18	15	10	20	19	15	11	20	19	15	11	20	19	15	11	20	19	15	11	19	17	14	10		
	KW	1.27	1.30	1.34	1.38	1.37	1.40	1.44	1.48	1.45	1.48	1.53	1.58	1.52	1.56	1.61	1.66	1.59	1.62	1.67	1.73	1.64	1.68	1.73	1.79		
	AMPS	4.7	4.8	4.9	5.1	5.1	5.2	5.3	5.5	5.5	5.6	5.8	6.0	5.9	6.0	6.2	6.5	6.3	6.4	6.6	6.9	6.6	6.8	7.0	7.3		
	HI/PR	216	232	245	255	242	260	275	287	255	296	313	326	313	337	356	371	352	379	400	418	389	419	442	461		
LO/PR	106	113	123	131	112	119	130	139	116	124	135	144	122	130	142	151	128	136	149	158	133	141	154	164			

* Entering Indoor Dry Bulb Temperature NOTE: Shaded area is ACCA (TVA) conditions

COOLING PERFORMANCE DATA

GSX130181A*

EXPANDED PERFORMANCE DATA

COOLING OPERATION

MODEL: GSX130181AA / CA*F1824*6** / ZP16K5E-PFV

IDB*	Airflow	Outdoor Ambient Temperature																								
		65				75				85				95				105				115				
		59	63	67	71	59	63	67	71	59	63	67	71	59	63	67	71	59	63	67	71	59	63	67	71	
80	525	MBh	16.4	16.7	17.9	19.1	16.0	16.3	17.4	18.6	15.6	15.9	17.0	18.2	15.2	15.6	16.6	17.8	14.5	14.8	15.8	16.9	13.4	13.7	14.6	15.6
		S/T	0.83	0.78	0.63	0.47	0.86	0.80	0.65	0.49	0.88	0.83	0.67	0.50	0.91	0.85	0.69	0.52	0.94	0.88	0.72	0.54	0.95	0.89	0.73	0.54
		Delta T	24	23	20	16	24	23	20	16	24	23	20	16	24	23	20	16	24	23	20	16	22	21	19	15
		KW	1.24	1.27	1.31	1.35	1.34	1.36	1.41	1.45	1.42	1.45	1.49	1.54	1.49	1.52	1.57	1.62	1.55	1.58	1.63	1.69	1.60	1.64	1.69	1.74
		AMPS	4.5	4.7	4.8	5.0	4.9	5.0	5.2	5.4	5.3	5.5	5.7	5.9	5.7	5.9	6.0	6.3	6.1	6.2	6.4	6.7	6.4	6.6	6.8	7.1
		HI PR	209	225	238	248	235	252	267	278	267	287	303	316	304	327	345	360	342	368	388	405	378	406	429	448
	600	LO PR	103	109	119	127	109	116	126	134	113	120	131	140	119	126	138	147	124	132	144	154	129	137	149	159
		MBh	17.7	18.1	19.4	20.7	17.3	17.7	18.9	20.2	16.9	17.3	18.5	19.7	16.5	16.8	18.0	19.2	15.7	16.0	17.1	18.3	14.5	14.8	15.8	16.9
		S/T	0.86	0.81	0.66	0.49	0.89	0.83	0.68	0.51	0.91	0.86	0.70	0.52	0.94	0.88	0.72	0.54	0.98	0.92	0.75	0.56	0.99	0.92	0.75	0.56
		Delta T	23	22	19	16	24	23	20	16	24	23	20	16	24	23	20	16	23	22	20	16	22	21	18	15
		KW	1.27	1.30	1.34	1.38	1.37	1.40	1.44	1.49	1.45	1.48	1.53	1.58	1.52	1.56	1.61	1.66	1.59	1.62	1.67	1.73	1.64	1.68	1.73	1.79
		AMPS	4.7	4.8	4.9	5.1	5.1	5.2	5.3	5.5	5.5	5.6	5.8	6.0	5.9	6.0	6.2	6.5	6.3	6.4	6.6	6.9	6.6	6.8	7.0	7.3
675	HI PR	216	232	245	255	242	260	275	287	275	296	313	326	313	337	356	371	352	379	401	418	389	419	443	462	
	LO PR	106	113	123	131	112	119	130	139	116	124	135	144	122	130	142	151	128	136	149	158	133	141	154	164	
	MBh	18.3	18.7	19.9	21.3	17.8	18.2	19.5	20.8	17.4	17.8	19.0	20.3	17.0	17.4	18.5	19.8	16.1	16.5	17.6	18.8	14.9	15.3	16.3	17.4	
	S/T	0.90	0.84	0.69	0.51	0.93	0.88	0.71	0.53	0.96	0.90	0.73	0.55	1.00	0.93	0.75	0.56	1.00	0.96	0.78	0.58	1.00	0.97	0.79	0.59	
	Delta T	22	21	19	15	23	22	19	15	23	22	19	15	23	22	19	15	22	22	19	15	20	20	18	14	
	KW	1.28	1.31	1.35	1.39	1.38	1.41	1.45	1.50	1.46	1.49	1.54	1.59	1.54	1.57	1.62	1.67	1.60	1.63	1.69	1.74	1.65	1.69	1.75	1.80	
85	525	AMPS	4.7	4.8	5.0	5.2	5.1	5.2	5.4	5.6	5.5	5.7	5.9	6.1	5.9	6.1	6.3	6.5	6.3	6.5	6.7	6.9	6.7	6.9	7.1	7.4
		HI PR	218	234	247	258	244	263	278	290	278	299	316	329	316	341	360	375	356	383	405	422	393	423	447	466
		LO PR	104	110	121	128	110	117	127	136	114	121	132	141	120	127	139	148	126	134	146	155	130	138	151	161
		MBh	18.0	18.4	19.3	20.5	17.6	18.0	18.8	20.1	17.2	17.5	18.4	19.6	16.8	17.1	17.9	19.1	15.9	16.2	17.0	18.2	14.8	15.0	15.8	16.8
		S/T	0.90	0.87	0.78	0.64	0.93	0.90	0.81	0.66	0.96	0.92	0.83	0.68	0.99	0.95	0.86	0.70	1.00	0.99	0.89	0.72	1.00	1.00	0.90	0.73
		Delta T	25	24	23	20	25	25	23	20	25	25	23	20	25	25	24	20	24	25	23	20	23	23	22	19
	600	KW	1.28	1.31	1.35	1.39	1.38	1.41	1.45	1.50	1.46	1.49	1.54	1.59	1.54	1.57	1.62	1.67	1.60	1.63	1.69	1.74	1.65	1.69	1.75	1.80
		AMPS	4.7	4.8	5.0	5.2	5.1	5.2	5.4	5.6	5.5	5.7	5.9	6.1	5.9	6.1	6.3	6.5	6.3	6.5	6.7	6.9	6.7	6.9	7.1	7.4
		HI PR	218	234	247	258	244	263	278	290	278	299	316	329	316	341	360	375	356	383	405	422	393	423	447	466
		LO PR	107	114	124	132	113	120	131	140	118	125	137	145	123	131	143	153	129	138	150	160	134	142	155	166
		MBh	18.6	18.9	19.8	21.2	18.1	18.5	19.4	20.7	17.7	18.1	18.9	20.2	17.3	17.6	18.4	19.7	16.4	16.7	17.5	18.7	15.2	15.5	16.2	17.3
		S/T	0.94	0.91	0.82	0.67	0.98	0.94	0.85	0.69	1.00	0.97	0.87	0.71	1.00	1.00	0.90	0.73	1.00	1.00	0.94	0.76	1.00	1.00	0.94	0.77
675	Delta T	24	23	22	19	24	24	22	19	24	24	22	19	24	24	23	20	22	23	22	19	21	21	21	18	
	KW	1.29	1.32	1.36	1.40	1.39	1.42	1.46	1.51	1.47	1.51	1.55	1.60	1.55	1.58	1.63	1.69	1.61	1.65	1.70	1.76	1.67	1.70	1.76	1.82	
	AMPS	4.8	4.9	5.0	5.2	5.1	5.3	5.4	5.7	5.6	5.7	5.9	6.1	6.0	6.1	6.3	6.6	6.4	6.5	6.7	7.0	6.8	6.9	7.2	7.4	
	HI PR	220	237	250	261	247	265	280	292	281	302	319	333	320	344	363	379	360	387	409	426	397	427	451	471	
	LO PR	108	115	126	134	114	122	133	141	119	126	138	147	125	133	145	154	131	139	152	162	135	144	157	167	

NOTE: Shaded area is AHRI Rating Conditions

* Entering Indoor Dry Bulb Temperature

COOLING PERFORMANCE DATA

GSX130241A*

EXPANDED PERFORMANCE DATA

COOLING OPERATION

MODEL: GSX130241AA / CA*F1824*6** / ZP20K5-PFV

IDB* Airflow		Outdoor Ambient Temperature																																																			
		65					75					85					95					105					115																										
		59	63	67	71	75	59	63	67	71	75	59	63	67	71	75	59	63	67	71	75	59	63	67	71	75	59	63	67	71	75																						
70	MBh	20.2	20.9	22.9	-	19.3	20.0	21.9	-	18.8	19.5	21.3	-	17.8	18.5	20.3	-	16.5	17.1	18.8	-	17.8	18.5	20.3	-	16.5	17.1	18.8	-	17.8	18.5	20.3	-	16.5	17.1	18.8	-	17.8	18.5	20.3	-	16.5	17.1	18.8	-	17.8	18.5	20.3	-	16.5	17.1	18.8	-
	S/T	0.67	0.56	0.39	-	0.72	0.60	0.41	-	0.74	0.62	0.43	-	0.77	0.64	0.44	-	0.77	0.65	0.45	-	0.74	0.62	0.43	-	0.77	0.64	0.44	-	0.74	0.62	0.43	-	0.77	0.64	0.44	-	0.74	0.62	0.43	-	0.77	0.64	0.44	-	0.74	0.62	0.43	-	0.77	0.64	0.44	-
	Delta T	18	15	12	-	18	15	12	-	18	15	12	-	18	15	12	-	18	15	12	-	18	15	12	-	18	15	12	-	18	15	12	-	18	15	12	-	18	15	12	-	18	15	12	-	18	15	12	-	18	15	12	-
	KW	1.58	1.61	1.65	-	1.69	1.72	1.77	-	1.79	1.82	1.88	-	1.87	1.91	1.97	-	1.95	1.99	2.05	-	1.87	1.91	1.97	-	1.95	1.99	2.05	-	1.87	1.91	1.97	-	1.95	1.99	2.05	-	1.87	1.91	1.97	-	1.95	1.99	2.05	-	1.87	1.91	1.97	-	1.95	1.99	2.05	-
	AMPS	5.5	5.6	5.8	-	6.0	6.1	6.3	-	6.5	6.6	6.9	-	6.9	7.1	7.3	-	7.4	7.5	7.8	-	6.9	7.1	7.3	-	7.4	7.5	7.8	-	6.9	7.1	7.3	-	7.4	7.5	7.8	-	6.9	7.1	7.3	-	7.4	7.5	7.8	-	6.9	7.1	7.3	-	7.4	7.5	7.8	-
	HI PR	218	235	248	-	245	263	278	-	278	300	316	-	317	341	360	-	357	384	405	-	317	341	360	-	357	384	405	-	317	341	360	-	357	384	405	-	317	341	360	-	357	384	405	-	317	341	360	-	357	384	405	-
	LO PR	97	103	112	-	102	109	119	-	106	113	124	-	112	119	130	-	117	125	136	-	112	119	130	-	117	125	136	-	112	119	130	-	117	125	136	-	112	119	130	-	117	125	136	-	112	119	130	-	117	125	136	-
	MBh	21.9	22.7	24.8	-	21.4	22.2	24.3	-	20.9	21.6	23.7	-	20.4	21.1	23.1	-	19.3	20.0	22.0	-	20.4	21.1	23.1	-	19.3	20.0	22.0	-	20.4	21.1	23.1	-	19.3	20.0	22.0	-	20.4	21.1	23.1	-	19.3	20.0	22.0	-	20.4	21.1	23.1	-	19.3	20.0	22.0	-
	S/T	0.70	0.58	0.40	-	0.72	0.61	0.42	-	0.74	0.62	0.43	-	0.77	0.64	0.44	-	0.80	0.66	0.46	-	0.77	0.64	0.44	-	0.80	0.66	0.46	-	0.77	0.64	0.44	-	0.80	0.66	0.46	-	0.77	0.64	0.44	-	0.80	0.66	0.46	-	0.77	0.64	0.44	-	0.80	0.66	0.46	-
	Delta T	17	15	11	-	18	15	12	-	18	15	12	-	18	15	12	-	17	15	11	-	18	15	12	-	17	15	11	-	18	15	12	-	17	15	11	-	18	15	12	-	17	15	11	-	18	15	12	-	17	15	11	-
KW	1.61	1.64	1.69	-	1.73	1.76	1.81	-	1.83	1.87	1.92	-	1.92	1.96	2.02	-	1.99	2.04	2.10	-	1.92	1.96	2.02	-	1.99	2.04	2.10	-	1.92	1.96	2.02	-	1.99	2.04	2.10	-	1.92	1.96	2.02	-	1.99	2.04	2.10	-	1.92	1.96	2.02	-	1.99	2.04	2.10	-	
AMPS	5.7	5.8	6.0	-	6.1	6.3	6.5	-	6.7	6.8	7.0	-	7.1	7.3	7.5	-	7.6	7.8	8.0	-	7.1	7.3	7.5	-	7.6	7.8	8.0	-	7.1	7.3	7.5	-	7.6	7.8	8.0	-	7.1	7.3	7.5	-	7.6	7.8	8.0	-	7.1	7.3	7.5	-	7.6	7.8	8.0	-	
HI PR	225	242	256	-	252	272	287	-	287	309	326	-	327	352	371	-	368	396	418	-	327	352	371	-	368	396	418	-	327	352	371	-	368	396	418	-	327	352	371	-	368	396	418	-	327	352	371	-	368	396	418	-	
LO PR	100	106	116	-	106	112	123	-	110	117	127	-	115	123	134	-	121	128	140	-	115	123	134	-	121	128	140	-	115	123	134	-	121	128	140	-	115	123	134	-	121	128	140	-	115	123	134	-	121	128	140	-	
MBh	22.5	23.4	25.6	-	22.0	22.8	25.0	-	21.5	22.3	24.4	-	21.0	21.7	23.8	-	19.9	20.6	22.6	-	21.0	21.7	23.8	-	19.9	20.6	22.6	-	21.0	21.7	23.8	-	19.9	20.6	22.6	-	21.0	21.7	23.8	-	19.9	20.6	22.6	-	21.0	21.7	23.8	-	19.9	20.6	22.6	-	
S/T	0.73	0.61	0.42	-	0.76	0.63	0.44	-	0.78	0.65	0.45	-	0.80	0.67	0.47	-	0.83	0.70	0.48	-	0.80	0.67	0.47	-	0.83	0.70	0.48	-	0.80	0.67	0.47	-	0.83	0.70	0.48	-	0.80	0.67	0.47	-	0.83	0.70	0.48	-	0.80	0.67	0.47	-	0.83	0.70	0.48	-	
Delta T	17	14	11	-	17	15	11	-	17	15	11	-	17	15	11	-	17	15	11	-	17	15	11	-	17	15	11	-	17	15	11	-	17	15	11	-	17	15	11	-	17	15	11	-	17	15	11	-	17	15	11	-	
KW	1.62	1.66	1.70	-	1.74	1.78	1.83	-	1.84	1.88	1.94	-	1.93	1.97	2.03	-	2.01	2.05	2.12	-	1.93	1.97	2.03	-	2.01	2.05	2.12	-	1.93	1.97	2.03	-	2.01	2.05	2.12	-	1.93	1.97	2.03	-	2.01	2.05	2.12	-	1.93	1.97	2.03	-	2.01	2.05	2.12	-	
AMPS	5.7	5.9	6.0	-	6.2	6.3	6.5	-	6.7	6.9	7.1	-	7.2	7.4	7.6	-	7.6	7.8	8.1	-	7.2	7.4	7.6	-	7.6	7.8	8.1	-	7.2	7.4	7.6	-	7.6	7.8	8.1	-	7.2	7.4	7.6	-	7.6	7.8	8.1	-	7.2	7.4	7.6	-	7.6	7.8	8.1	-	
HI PR	227	244	258	-	255	274	290	-	290	312	329	-	330	355	375	-	371	400	422	-	330	355	375	-	371	400	422	-	330	355	375	-	371	400	422	-	330	355	375	-	371	400	422	-	330	355	375	-	371	400	422	-	
LO PR	101	107	117	-	107	113	124	-	111	118	129	-	116	124	135	-	122	130	142	-	116	124	135	-	122	130	142	-	116	124	135	-	122	130	142	-	116	124	135	-	122	130	142	-	116	124	135	-	122	130	142	-	
75	MBh	20.5	21.1	22.9	24.6	20.1	20.7	22.4	24.0	19.6	20.2	21.8	23.4	19.1	19.7	21.3	22.9	18.2	18.7	20.2	21.7	18.2	18.7	20.2	21.7	16.8	17.3	18.7	20.1	18.2	18.7	20.2	21.7	16.8	17.3	18.7	20.1	18.2	18.7	20.2	21.7	16.8	17.3	18.7	20.1	18.2	18.7	20.2	21.7	16.8	17.3	18.7	20.1
	S/T	0.77	0.69	0.52	0.33	0.79	0.71	0.54	0.35	0.81	0.73	0.55	0.35	0.84	0.75	0.57	0.37	0.87	0.78	0.59	0.38	0.84	0.75	0.57	0.37	0.90	0.81	0.61	0.39	0.84	0.75	0.57	0.37	0.90	0.81	0.61	0.39	0.84	0.75	0.57	0.37	0.90	0.81	0.61	0.39	0.84	0.75	0.57	0.37	0.90	0.81	0.61	0.39
	Delta T	20	19	15	11	21	19	16	11	21	19	16	11	21	19	16	11	21	19	15	11	21	19	16	11	21	19	15	11	21	19	16	11	21	19	15	11	21	19	16	11	21	19	15	11	21	19	16	11	21	19	15	11
	KW	1.59	1.62	1.67	1.72	1.70	1.74	1.79	1.84	1.80	1.84	1.89	1.95	1.89	1.93	1.99	2.05	1.96	2.00	2.07	2.13	1.89	1.93	1.99	2.05	2.01	2.05	2.12	2.18	1.89	1.93	1.99	2.05	2.01	2.05	2.12	2.18	1.89	1.93	1.99	2.05	2.01	2.05	2.12	2.18	1.89	1.93	1.99	2.05	2.01	2.05	2.12	2.18
	AMPS	5.6	5.7	5.9	6.1	6.0	6.2	6.4	6.6	6.5	6.7	6.9	7.2	7.0	7.2	7.4	7.7	7.4	7.6	7.9	8.2	7.0	7.2	7.4	7.7	7.4	7.6	7.9	8.2	7.0	7.2	7.4	7.7	7.4	7.6	7.9	8.2	7.0	7.2	7.4	7.7	7.4	7.6	7.9	8.2	7.0	7.2	7.4	7.7	7.4	7.6	7.9	8.2
	HI PR	220	237	250	261	247	266	281	293	281	303	320	333	320	345	364	380	360	388	409	427	320	345	364	380	360	388	409	427	320	345	364	380	360	388	409	427	320	345	364	380	360	388	409	427	320	345	364	380	360	388	409	427
	LO PR	98	104	114	121	103	110	120	128	107	114	125	133	113	120	131	140	118	126	137	146	113	120	131	140	118	126	137	146	113	120	131	140	118	126	137	146	113	120	131	140	118	126	137	146	113	120	131	140	118	126	137	146
	MBh	22.3</																																																			

COOLING PERFORMANCE DATA

GSX130241A*

EXPANDED PERFORMANCE DATA

COOLING OPERATION

MODEL: GSX130241AA / CA*F1824*6** / ZP20K5-PFV

IDB*	Airflow	Outdoor Ambient Temperature																								
		65				75				85				95				105				115				
		59	63	67	71	59	63	67	71	59	63	67	71	59	63	67	71	59	63	67	71	59	63	67	71	
80	709	MBh	20.9	21.4	22.8	24.4	20.4	20.9	22.3	23.8	19.9	20.4	21.8	23.3	19.4	19.9	21.2	22.7	18.5	18.9	20.2	21.6	17.1	17.5	18.7	20.0
		S/T	0.84	0.79	0.64	0.48	0.87	0.82	0.67	0.50	0.89	0.84	0.68	0.51	0.92	0.86	0.70	0.53	0.96	0.90	0.73	0.55	0.97	0.91	0.74	0.55
		Delta T	23	22	19	15	23	22	19	15	23	22	19	15	23	22	19	15	23	22	19	15	21	21	18	14
		KW	1.60	1.63	1.68	1.73	1.71	1.75	1.80	1.86	1.81	1.85	1.91	1.97	1.90	1.94	2.00	2.06	1.98	2.02	2.08	2.15	2.04	2.09	2.15	2.22
		AMPS	5.6	5.8	5.9	6.2	6.1	6.2	6.4	6.7	6.6	6.8	7.0	7.2	7.1	7.2	7.5	7.7	7.5	7.7	7.9	8.3	8.0	8.2	8.4	8.7
		HIPR	223	240	253	264	250	269	284	296	284	306	323	337	324	348	368	383	364	392	414	431	402	433	457	477
		LOPR	99	105	115	122	104	111	121	129	109	115	126	134	114	121	132	141	119	127	139	148	124	131	144	153
		MBh	22.6	23.1	24.7	26.4	22.1	22.6	24.2	25.8	21.6	22.1	23.6	25.2	21.1	21.5	23.0	24.6	20.0	20.5	21.9	23.4	18.5	18.9	20.2	21.6
		S/T	0.87	0.82	0.67	0.50	0.90	0.85	0.69	0.52	0.93	0.87	0.71	0.53	0.96	0.90	0.73	0.55	0.99	0.93	0.76	0.57	1.00	0.94	0.76	0.57
		Delta T	22	21	19	15	23	22	19	15	23	22	19	15	23	22	19	15	23	22	19	15	21	20	18	14
810	810	KW	1.64	1.67	1.72	1.77	1.75	1.79	1.84	1.90	1.86	1.89	1.95	2.01	1.95	1.99	2.05	2.11	2.03	2.07	2.13	2.20	2.09	2.14	2.20	2.27
		AMPS	5.8	5.9	6.1	6.3	6.2	6.4	6.6	6.9	6.8	6.9	7.2	7.5	7.3	7.4	7.7	8.0	7.7	7.9	8.2	8.5	8.2	8.4	8.7	9.0
		HIPR	229	247	261	272	257	277	293	305	293	315	333	347	334	359	379	395	375	404	426	445	415	446	471	491
		LOPR	102	108	118	126	108	115	125	133	112	119	130	138	118	125	137	145	123	131	143	152	127	136	148	158
		MBh	23.3	23.8	25.5	27.2	22.8	23.3	24.9	26.6	22.2	22.7	24.3	26.0	21.7	22.2	23.7	25.3	20.6	21.1	22.5	24.1	19.1	19.5	20.8	22.3
		S/T	0.91	0.86	0.70	0.52	0.95	0.89	0.72	0.54	1.00	0.91	0.74	0.55	1.00	0.94	0.77	0.57	1.00	1.00	0.79	0.59	1.00	1.00	0.80	0.60
		Delta T	22	21	18	14	22	21	18	15	22	21	18	15	22	21	18	15	21	21	18	14	19	20	17	13
		KW	1.65	1.68	1.73	1.78	1.77	1.80	1.86	1.91	1.87	1.91	1.97	2.03	1.96	2.00	2.07	2.13	2.04	2.08	2.15	2.22	2.11	2.15	2.22	2.29
		AMPS	5.8	6.0	6.2	6.4	6.3	6.5	6.7	6.9	6.8	7.0	7.2	7.5	7.3	7.5	7.8	8.0	7.8	8.0	8.3	8.6	8.3	8.5	8.8	9.1
		HIPR	232	249	263	275	260	280	296	308	296	318	336	351	337	363	383	399	379	408	431	449	419	451	476	496
LOPR	103	109	120	127	109	116	126	134	113	120	131	140	119	126	138	147	124	132	144	154	129	137	149	159		
85	709	MBh	21.3	21.7	22.7	24.2	20.8	21.2	22.2	23.7	20.3	20.7	21.7	23.1	19.8	20.2	21.1	22.5	18.8	19.2	20.1	21.4	17.4	17.7	18.6	19.8
		S/T	0.88	0.85	0.77	0.62	0.91	0.88	0.80	0.65	0.94	0.90	0.82	0.66	0.97	0.93	0.84	0.68	1.00	0.97	0.87	0.71	1.00	0.98	0.88	0.71
		Delta T	24	24	23	20	25	24	23	20	25	24	23	20	25	24	23	20	24	24	23	20	23	22	21	18
		KW	1.61	1.64	1.69	1.74	1.73	1.76	1.81	1.87	1.83	1.87	1.92	1.98	1.92	1.96	2.02	2.08	1.99	2.03	2.10	2.16	2.06	2.10	2.17	2.24
		AMPS	5.7	5.8	6.0	6.2	6.1	6.3	6.5	6.7	6.7	6.8	7.0	7.3	7.1	7.3	7.5	7.8	7.6	7.8	8.0	8.3	8.0	8.2	8.5	8.8
		HIPR	225	242	255	266	252	271	287	299	287	309	326	340	327	352	371	387	368	396	418	436	406	437	462	481
		LOPR	100	106	116	123	105	112	122	130	110	117	127	136	115	122	134	142	121	128	140	149	125	133	145	154
		MBh	23.0	23.5	24.6	26.2	22.5	22.9	24.0	25.6	22.0	22.4	23.5	25.0	21.4	21.9	22.9	24.4	20.4	20.8	21.7	23.2	18.9	19.2	20.1	21.5
		S/T	0.91	0.88	0.80	0.65	0.95	0.91	0.82	0.67	0.97	0.94	0.85	0.69	1.00	0.97	0.87	0.71	1.00	1.00	0.91	0.74	1.00	1.00	0.91	0.74
		Delta T	24	24	22	19	24	24	22	19	24	24	23	19	24	24	23	20	23	24	22	19	21	22	21	18
810	810	KW	1.65	1.68	1.73	1.78	1.77	1.80	1.86	1.91	1.87	1.91	1.97	2.03	1.96	2.00	2.07	2.13	2.04	2.08	2.15	2.22	2.11	2.15	2.22	2.29
		AMPS	5.8	6.0	6.2	6.4	6.3	6.5	6.7	6.9	6.8	7.0	7.2	7.5	7.3	7.5	7.8	8.0	7.8	8.0	8.3	8.6	8.3	8.5	8.8	9.1
		HIPR	232	249	263	275	260	280	296	308	296	318	336	351	337	363	383	399	379	408	431	449	419	451	476	496
		LOPR	103	109	120	127	109	116	126	134	113	120	131	140	119	126	138	147	124	132	144	154	129	137	149	159
		MBh	23.7	24.2	25.3	27.0	23.2	23.6	24.8	26.4	22.6	23.1	24.2	25.8	22.1	22.5	23.6	25.1	21.0	21.4	22.4	23.9	19.4	19.8	20.7	22.1
		S/T	0.96	0.92	0.83	0.68	0.99	0.96	0.86	0.70	1.00	0.98	0.89	0.72	1.00	1.00	0.92	0.74	1.00	1.00	0.95	0.77	1.00	1.00	0.96	0.78
		Delta T	23	23	21	18	23	23	22	19	23	23	22	19	22	23	22	19	21	22	21	19	20	20	20	17
		KW	1.66	1.69	1.74	1.80	1.78	1.82	1.87	1.93	1.89	1.92	1.98	2.05	1.98	2.02	2.08	2.15	2.06	2.10	2.17	2.24	2.13	2.17	2.24	2.31
		AMPS	5.9	6.0	6.2	6.4	6.4	6.5	6.7	7.0	6.9	7.1	7.3	7.6	7.4	7.6	7.8	8.1	7.9	8.1	8.3	8.7	8.3	8.5	8.8	9.2
		HIPR	234	252	266	277	263	283	298	311	299	321	339	354	340	366	387	403	383	412	435	454	423	455	481	501
LOPR	104	111	121	129	110	117	128	136	114	121	133	141	120	128	139	148	126	134	146	155	130	138	151	161		

* Entering Indoor Dry Bulb Temperature

NOTE: Shaded area is AHRI Rating Conditions

COOLING PERFORMANCE DATA

GSX130301A*

EXPANDED PERFORMANCE DATA

EXPANDED PERFORMANCE DATA

COOLING OPERATION

MODEL: GSX130301AA / CA *F3030*6** / ZP24K5E-PFV

IDB* Airflow		Outdoor Ambient Temperature																								
		65				75				85				95				105				115				
		59	63	67	71	59	63	67	71	59	63	67	71	59	63	67	71	59	63	67	71	59	63	67	71	
70	919	MBh	24.9	25.8	28.3	-	24.4	25.2	27.7	-	23.8	24.6	27.0	-	23.2	24.0	26.3	-	22.0	22.8	25.0	-	20.4	21.2	23.2	-
		ST	0.68	0.57	0.40	-	0.71	0.59	0.41	-	0.73	0.61	0.42	-	0.75	0.63	0.43	-	0.78	0.65	0.45	-	0.78	0.66	0.45	-
		Delta T	17	15	11	-	17	15	11	-	17	15	11	-	17	15	11	-	17	15	11	-	16	14	11	-
		KW	1.93	1.97	2.02	-	2.06	2.11	2.17	-	2.19	2.23	2.30	-	2.29	2.34	2.41	-	2.38	2.43	2.51	-	2.46	2.51	2.59	-
		AMPS	6.7	6.9	7.1	-	7.3	7.5	7.7	-	7.9	8.1	8.4	-	8.5	8.7	9.0	-	9.0	9.2	9.6	-	9.6	9.8	10.1	-
		HI PR	230	248	262	-	258	278	294	-	294	316	334	-	335	360	380	-	376	405	428	-	416	448	473	-
	1050	LO PR	103	109	119	-	108	115	126	-	113	120	131	-	118	126	137	-	124	132	144	-	128	136	149	-
		MBh	27.0	28.0	30.7	-	26.4	27.4	30.0	-	25.8	26.7	29.3	-	25.1	26.1	28.5	-	23.9	24.7	27.1	-	22.1	22.9	25.1	-
		ST	0.71	0.59	0.41	-	0.73	0.61	0.43	-	0.75	0.63	0.44	-	0.78	0.65	0.45	-	0.81	0.67	0.47	-	0.81	0.68	0.47	-
		Delta T	17	15	11	-	17	15	11	-	17	15	11	-	17	15	11	-	17	15	11	-	16	14	10	-
		KW	1.97	2.01	2.07	-	2.11	2.16	2.22	-	2.24	2.28	2.35	-	2.35	2.40	2.47	-	2.44	2.49	2.57	-	2.52	2.57	2.66	-
		AMPS	6.9	7.1	7.3	-	7.5	7.7	7.9	-	8.1	8.3	8.6	-	8.7	8.9	9.2	-	9.3	9.5	9.8	-	9.8	10.1	10.4	-
1181	HI PR	237	255	270	-	266	287	303	-	303	326	344	-	345	371	392	-	388	418	441	-	429	461	487	-	
	LO PR	106	112	123	-	112	119	130	-	116	123	135	-	122	130	142	-	128	136	148	-	132	141	154	-	
	MBh	27.8	28.8	31.6	-	27.2	28.2	30.9	-	26.5	27.5	30.1	-	25.9	26.8	29.4	-	24.6	25.5	27.9	-	22.8	23.6	25.9	-	
	ST	0.74	0.62	0.43	-	0.77	0.64	0.45	-	0.79	0.66	0.46	-	0.82	0.68	0.47	-	0.85	0.71	0.49	-	0.85	0.71	0.49	-	
	Delta T	16	14	11	-	16	14	11	-	16	14	11	-	16	14	11	-	16	14	11	-	15	13	10	-	
	KW	1.99	2.03	2.08	-	2.13	2.17	2.24	-	2.25	2.30	2.37	-	2.37	2.41	2.49	-	2.46	2.51	2.59	-	2.54	2.60	2.68	-	
75	AMPS	7.0	7.1	7.4	-	7.6	7.7	8.0	-	8.2	8.4	8.7	-	8.8	9.0	9.3	-	9.4	9.6	9.9	-	9.9	10.2	10.5	-	
	HI PR	240	258	272	-	269	289	306	-	306	329	348	-	348	375	396	-	392	422	445	-	433	466	492	-	
	LO PR	107	114	124	-	113	120	131	-	117	125	136	-	123	131	143	-	129	137	150	-	133	142	155	-	
	MBh	25.4	26.1	28.3	30.3	24.8	25.5	27.6	29.6	24.2	24.9	26.9	28.9	23.6	24.3	26.3	28.2	22.4	23.1	25.0	26.8	20.8	21.4	23.1	24.8	
	ST	0.78	0.69	0.53	0.34	0.81	0.72	0.55	0.35	0.83	0.74	0.56	0.36	0.85	0.76	0.58	0.37	0.88	0.79	0.60	0.39	0.89	0.80	0.60	0.39	
	Delta T	20	18	15	10	20	18	15	10	20	18	15	10	20	19	15	10	20	18	15	10	19	17	14	10	
919	KW	1.94	1.98	2.04	2.10	2.08	2.12	2.19	2.25	2.20	2.25	2.32	2.39	2.31	2.36	2.43	2.51	2.40	2.45	2.53	2.61	2.48	2.53	2.61	2.70	
	AMPS	6.8	7.0	7.2	7.5	7.3	7.5	7.8	8.1	8.0	8.2	8.5	8.8	8.5	8.8	9.1	9.4	9.1	9.3	9.6	10.0	9.6	9.9	10.2	10.6	
	HI PR	233	250	264	276	261	281	297	309	297	319	337	352	338	364	384	401	380	409	432	451	420	452	477	498	
	LO PR	104	110	120	128	109	116	127	135	114	121	132	141	119	127	139	148	125	133	145	155	130	138	150	160	
	MBh	27.5	28.3	30.6	32.9	26.8	27.6	29.9	32.1	26.2	27.0	29.2	31.3	25.6	26.3	28.5	30.6	24.3	25.0	27.1	29.0	22.5	23.2	25.1	26.9	
	ST	0.81	0.72	0.55	0.35	0.84	0.75	0.57	0.36	0.86	0.77	0.58	0.37	0.88	0.79	0.60	0.38	0.92	0.82	0.62	0.40	0.93	0.83	0.63	0.40	
1050	Delta T	19	18	15	10	20	18	15	10	20	18	15	10	20	18	15	10	20	18	15	10	18	17	14	9	
	KW	1.99	2.03	2.09	2.15	2.13	2.17	2.24	2.31	2.25	2.30	2.37	2.45	2.37	2.41	2.49	2.57	2.46	2.51	2.59	2.67	2.54	2.60	2.68	2.76	
	AMPS	7.0	7.1	7.4	7.7	7.6	7.7	8.0	8.3	8.2	8.4	8.7	9.0	8.8	9.0	9.3	9.7	9.4	9.6	9.9	10.3	9.9	10.2	10.5	10.9	
	HI PR	240	258	272	284	269	290	306	319	306	329	348	363	348	375	396	413	392	422	446	465	433	466	492	513	
	LO PR	107	114	124	132	113	120	131	140	117	125	136	145	123	131	143	152	129	137	150	160	134	142	155	165	
	MBh	28.3	29.1	31.5	33.9	27.6	28.5	30.8	33.1	27.0	27.8	30.1	32.3	26.3	27.1	29.3	31.5	25.0	25.8	27.9	29.9	23.2	23.9	25.8	27.7	
1181	ST	0.84	0.76	0.57	0.37	0.88	0.78	0.59	0.38	0.90	0.80	0.61	0.39	0.93	0.83	0.63	0.40	0.96	0.86	0.65	0.42	0.97	0.87	0.66	0.42	
	Delta T	19	17	14	10	19	17	14	10	19	17	14	10	19	17	14	10	19	17	14	10	17	16	13	9	
	KW	2.00	2.04	2.10	2.16	2.14	2.19	2.25	2.32	2.27	2.32	2.39	2.47	2.38	2.43	2.51	2.59	2.48	2.53	2.61	2.70	2.56	2.62	2.70	2.79	
	AMPS	7.0	7.2	7.5	7.7	7.6	7.8	8.1	8.4	8.3	8.5	8.8	9.1	8.9	9.1	9.4	9.8	9.5	9.7	10.0	10.4	10.0	10.3	10.6	11.0	
	HI PR	242	261	275	287	272	292	309	322	309	333	351	366	352	379	400	417	396	426	450	469	437	471	497	519	
	LO PR	108	115	125	133	114	121	132	141	118	126	138	146	124	132	144	154	130	139	151	161	135	143	157	167	

NOTE: Shaded area is ACCA (TVA) conditions

* Entering Indoor Dry Bulb Temperature

COOLING PERFORMANCE DATA

GSX130301A*

EXPANDED PERFORMANCE DATA

COOLING OPERATION

MODEL: GSX130301AA / CA*F3030*6** / ZP24K5E-PFV

IDB*	Airflow	Outdoor Ambient Temperature																							
		65				75				85				95				105				115			
		59	63	67	71	59	63	67	71	59	63	67	71	59	63	67	71	59	63	67	71	59	63	67	71
80	MBh	25.8	26.4	28.2	30.1	25.2	25.8	27.5	29.4	24.6	25.1	26.9	28.7	24.0	24.5	26.2	28.0	22.8	23.3	24.9	26.6	21.1	21.6	23.1	24.7
	S/T	0.85	0.80	0.65	0.49	0.88	0.83	0.67	0.50	0.91	0.85	0.69	0.52	0.93	0.88	0.71	0.53	0.97	0.91	0.74	0.55	0.98	0.92	0.75	0.56
	Delta T	22	21	18	15	22	21	19	15	22	21	19	15	22	22	19	15	22	21	18	15	21	20	17	14
	KW	1.96	1.99	2.05	2.11	2.10	2.14	2.20	2.27	2.22	2.26	2.33	2.41	2.33	2.38	2.45	2.53	2.42	2.47	2.55	2.63	2.50	2.55	2.63	2.72
	AMPS	6.9	7.0	7.2	7.5	7.4	7.6	7.8	8.1	8.1	8.3	8.5	8.9	8.6	8.8	9.1	9.5	9.2	9.4	9.7	10.1	9.7	10.0	10.3	10.7
	HI PR	235	253	267	278	264	284	300	312	300	323	341	355	341	367	388	405	384	413	437	455	424	457	482	503
	LO PR	105	111	122	129	111	118	128	137	115	122	133	142	121	128	140	149	126	135	147	156	131	139	152	162
	MBh	28.0	28.6	30.5	32.6	27.3	27.9	29.8	31.9	26.7	27.2	29.1	31.1	26.0	26.6	28.4	30.4	24.7	25.3	27.0	28.8	22.9	23.4	25.0	26.7
	S/T	0.88	0.83	0.67	0.50	0.92	0.86	0.70	0.52	0.94	0.88	0.72	0.54	0.97	0.91	0.74	0.55	1.00	0.94	0.77	0.57	1.00	0.95	0.77	0.58
	Delta T	22	21	18	14	22	21	18	15	22	21	18	15	22	21	18	15	22	21	18	14	20	19	17	14
KW	2.00	2.04	2.10	2.16	2.15	2.19	2.25	2.32	2.27	2.32	2.39	2.47	2.38	2.43	2.51	2.59	2.48	2.53	2.61	2.70	2.56	2.62	2.70	2.79	
AMPS	7.0	7.2	7.5	7.7	7.6	7.8	8.1	8.4	8.3	8.5	8.8	9.1	8.9	9.1	9.4	9.7	9.5	9.7	10.0	10.4	10.0	10.3	10.6	11.0	
HI PR	242	261	275	287	272	292	309	322	309	333	351	366	352	379	400	417	396	426	450	469	438	471	497	519	
LO PR	108	115	125	133	114	121	132	141	118	126	138	147	124	132	145	154	130	139	151	161	135	143	157	167	
MBh	28.8	29.4	31.4	33.6	28.1	28.7	30.7	32.8	27.5	28.1	30.0	32.1	26.8	27.4	29.3	31.3	25.5	26.0	27.8	29.7	23.6	24.1	25.7	27.5	
S/T	0.93	0.87	0.71	0.53	0.96	0.90	0.73	0.55	1.00	0.92	0.75	0.56	1.00	0.95	0.78	0.58	1.00	1.00	0.81	0.60	1.00	1.00	0.81	0.61	
Delta T	21	20	17	14	21	20	18	14	21	20	18	14	21	20	18	14	20	20	17	14	18	19	16	13	
KW	2.02	2.06	2.12	2.18	2.16	2.21	2.27	2.34	2.29	2.34	2.41	2.48	2.40	2.45	2.53	2.61	2.50	2.55	2.63	2.72	2.58	2.64	2.72	2.81	
AMPS	7.1	7.3	7.5	7.8	7.7	7.9	8.1	8.5	8.4	8.6	8.9	9.2	9.0	9.2	9.5	9.9	9.5	9.8	10.1	10.5	10.1	10.4	10.7	11.1	
HI PR	245	263	278	290	274	295	312	325	312	336	355	370	356	383	404	421	400	430	455	474	442	476	502	524	
LO PR	109	116	127	135	115	122	134	142	120	127	139	148	126	134	146	155	132	140	153	163	136	145	158	168	

85	MBh	26.3	26.8	28.0	29.9	25.7	26.1	27.4	29.2	25.0	25.5	26.7	28.5	24.4	24.9	26.1	27.8	23.2	23.7	24.8	26.4	21.5	21.9	23.0	24.5
	S/T	0.89	0.86	0.78	0.63	0.93	0.89	0.81	0.65	0.95	0.92	0.83	0.67	0.98	0.95	0.85	0.69	1.00	0.98	0.89	0.72	1.00	0.99	0.89	0.72
	Delta T	23	23	22	19	24	23	22	19	24	23	22	19	24	24	22	19	23	23	22	19	22	22	21	18
	KW	1.97	2.01	2.07	2.13	2.11	2.15	2.22	2.29	2.24	2.28	2.35	2.43	2.35	2.40	2.47	2.55	2.44	2.49	2.57	2.65	2.52	2.57	2.66	2.74
	AMPS	6.9	7.1	7.3	7.6	7.5	7.7	7.9	8.2	8.1	8.3	8.6	8.9	8.7	8.9	9.2	9.6	9.3	9.5	9.8	10.2	9.8	10.1	10.4	10.8
	HI PR	237	255	270	281	266	286	303	316	303	326	344	359	345	371	392	409	388	417	441	460	429	461	487	508
	LO PR	106	112	123	131	112	119	130	138	116	123	135	144	122	130	142	151	128	136	148	158	132	141	153	163
	MBh	28.5	29.0	30.4	32.4	27.8	28.3	29.7	31.7	27.1	27.7	29.0	30.9	26.5	27.0	28.3	30.1	25.1	25.6	26.8	28.6	23.3	23.7	24.9	26.5
	S/T	0.93	0.89	0.81	0.65	0.96	0.93	0.84	0.68	0.98	0.95	0.86	0.70	1.00	0.98	0.89	0.72	1.00	1.00	0.92	0.75	1.00	1.00	0.93	0.75
	Delta T	23	23	21	19	23	23	22	19	23	23	22	19	23	23	22	19	22	22	22	19	20	21	20	17
KW	2.02	2.06	2.12	2.18	2.16	2.21	2.27	2.34	2.29	2.34	2.41	2.48	2.40	2.45	2.53	2.61	2.50	2.55	2.63	2.72	2.58	2.64	2.72	2.81	
AMPS	7.1	7.3	7.5	7.8	7.7	7.9	8.1	8.5	8.4	8.6	8.9	9.2	9.0	9.2	9.5	9.9	9.5	9.8	10.1	10.5	10.1	10.4	10.7	11.1	
HI PR	245	263	278	290	274	295	312	325	312	336	355	370	356	383	404	421	400	430	455	474	442	476	502	524	
LO PR	109	116	127	135	115	122	134	142	120	127	139	148	126	134	146	155	132	140	153	163	136	145	158	168	
MBh	29.3	29.9	31.3	33.4	28.6	29.2	30.6	32.6	27.9	28.5	29.8	31.8	27.3	27.8	29.1	31.1	25.9	26.4	27.7	29.5	24.0	24.5	25.6	27.3	
S/T	0.97	0.94	0.85	0.69	1.00	0.97	0.88	0.71	1.00	1.00	0.90	0.73	1.00	1.00	0.93	0.75	1.00	1.00	0.96	0.78	1.00	1.00	0.97	0.79	
Delta T	22	22	21	18	22	22	21	18	22	22	21	18	21	22	21	18	20	21	21	18	19	19	19	17	
KW	2.03	2.07	2.13	2.20	2.18	2.22	2.29	2.36	2.31	2.36	2.43	2.50	2.42	2.47	2.55	2.63	2.52	2.57	2.65	2.74	2.60	2.66	2.74	2.83	
AMPS	7.2	7.3	7.6	7.9	7.8	8.0	8.2	8.5	8.4	8.7	8.9	9.3	9.0	9.3	9.6	9.9	9.6	9.9	10.2	10.6	10.2	10.5	10.8	11.2	
HI PR	247	266	281	293	277	298	315	329	315	339	358	374	359	386	408	426	404	435	459	479	446	480	507	529	
LO PR	110	117	128	136	116	124	135	144	121	129	140	149	127	135	147	157	133	142	154	165	138	146	160	170	

* Entering Indoor Dry Bulb Temperature

NOTE: Shaded area is AHRI Rating Conditions

COOLING PERFORMANCE DATA

GSX130361A*

EXPANDED PERFORMANCE DATA

COOLING OPERATION

MODEL: GSX130361AA / CA*F4860*6** / ZP31K5E-PFV

IDB* Airflow		Outdoor Ambient Temperature																								
		65				75				85				95				105				115				
		59	63	67	71	59	63	67	71	59	63	67	71	59	63	67	71	59	63	67	71	59	63	67	71	
70	1050	MBh	30.7	31.9	34.9	-	30.0	31.1	34.1	-	29.3	30.4	33.3	-	28.6	29.6	32.5	-	27.2	28.2	30.8	-	25.2	26.1	28.6	-
		S/T	0.67	0.56	0.38	-	0.69	0.58	0.40	-	0.71	0.59	0.41	-	0.73	0.61	0.42	-	0.76	0.63	0.44	-	0.76	0.64	0.44	-
		Delta T	18	15	12	-	18	16	12	-	18	16	12	-	18	16	12	-	18	16	12	-	17	15	11	-
		KW	2.38	2.43	2.50	-	2.55	2.61	2.69	-	2.71	2.76	2.85	-	2.84	2.90	2.99	-	2.96	3.02	3.12	-	3.06	3.12	3.22	-
		AMPS	8.5	8.7	9.0	-	9.2	9.4	9.7	-	10.0	10.3	10.6	-	10.7	11.0	11.4	-	11.4	11.7	12.1	-	12.1	12.4	12.9	-
		HIPR	224	242	255	-	252	271	286	-	286	308	326	-	326	351	371	-	367	395	417	-	406	436	461	-
	LOPR	101	108	118	-	107	114	125	-	111	119	129	-	117	125	136	-	123	130	142	-	127	135	147	-	
	1200	MBh	33.3	34.5	37.8	-	32.5	33.7	36.9	-	31.7	32.9	36.1	-	31.0	32.1	35.2	-	29.4	30.5	33.4	-	27.3	28.3	31.0	-
		S/T	0.69	0.58	0.40	-	0.71	0.60	0.41	-	0.73	0.61	0.42	-	0.76	0.63	0.44	-	0.79	0.66	0.45	-	0.79	0.66	0.46	-
		Delta T	18	15	12	-	18	15	12	-	18	15	12	-	18	16	12	-	18	15	12	-	17	14	11	-
		KW	2.43	2.48	2.56	-	2.61	2.67	2.75	-	2.77	2.83	2.92	-	2.91	2.97	3.07	-	3.03	3.10	3.20	-	3.13	3.20	3.31	-
		AMPS	8.7	9.0	9.3	-	9.5	9.7	10.0	-	10.3	10.6	10.9	-	11.0	11.3	11.7	-	11.8	12.1	12.5	-	12.5	12.8	13.2	-
HIPR		231	249	263	-	260	279	295	-	295	318	336	-	336	362	382	-	378	407	430	-	418	450	475	-	
LOPR	105	111	122	-	111	118	128	-	115	122	133	-	121	128	140	-	126	135	147	-	131	139	152	-		
1350	MBh	34.3	35.5	38.9	-	33.5	34.7	38.0	-	32.7	33.9	37.1	-	31.9	33.1	36.2	-	30.3	31.4	34.4	-	28.1	29.1	31.9	-	
	S/T	0.72	0.60	0.42	-	0.75	0.63	0.43	-	0.77	0.64	0.44	-	0.79	0.66	0.46	-	0.82	0.69	0.48	-	0.83	0.69	0.48	-	
	Delta T	17	15	11	-	17	15	11	-	17	15	11	-	17	15	11	-	17	15	11	-	16	14	10	-	
	KW	2.45	2.50	2.58	-	2.63	2.69	2.77	-	2.79	2.85	2.94	-	2.94	3.00	3.09	-	3.06	3.12	3.22	-	3.16	3.23	3.33	-	
	AMPS	8.8	9.0	9.3	-	9.6	9.8	10.1	-	10.4	10.7	11.0	-	11.1	11.4	11.8	-	11.9	12.2	12.6	-	12.6	12.9	13.4	-	
	HIPR	234	252	266	-	262	282	298	-	298	321	339	-	340	366	386	-	382	411	434	-	422	454	480	-	
LOPR	106	112	123	-	112	119	130	-	116	123	135	-	122	130	142	-	128	136	148	-	132	141	153	-		
75	1050	MBh	31.3	32.2	34.8	37.4	30.5	31.4	34.0	36.5	29.8	30.7	33.2	35.6	29.1	29.9	32.4	34.8	27.6	28.4	30.8	33.0	25.6	26.3	28.5	30.6
		S/T	0.76	0.68	0.51	0.33	0.78	0.70	0.53	0.34	0.80	0.72	0.54	0.35	0.83	0.74	0.56	0.36	0.86	0.77	0.58	0.37	0.87	0.78	0.59	0.38
		Delta T	21	19	16	11	21	19	16	11	21	19	16	11	21	19	16	11	21	19	16	11	19	18	15	10
		KW	2.40	2.45	2.52	2.60	2.57	2.63	2.71	2.79	2.73	2.79	2.87	2.96	2.87	2.93	3.02	3.12	2.98	3.05	3.14	3.25	3.08	3.15	3.25	3.36
		AMPS	8.6	8.8	9.1	9.4	9.3	9.5	9.8	10.2	10.1	10.4	10.7	11.1	10.8	11.1	11.5	11.9	11.5	11.8	12.2	12.7	12.2	12.6	13.0	13.5
		HIPR	227	244	258	269	254	274	289	302	289	311	329	343	330	355	375	391	371	399	421	439	410	441	466	486
	LOPR	103	109	119	127	108	115	126	134	113	120	131	139	118	126	137	146	124	132	144	153	128	136	149	159	
	1200	MBh	33.9	34.9	37.7	40.5	33.1	34.1	36.9	39.6	32.3	33.2	36.0	38.6	31.5	32.4	35.1	37.7	29.9	30.8	33.3	35.8	27.7	28.5	30.9	33.2
		S/T	0.78	0.70	0.53	0.34	0.81	0.73	0.55	0.35	0.83	0.75	0.56	0.36	0.86	0.77	0.58	0.37	0.89	0.80	0.60	0.39	0.90	0.81	0.61	0.39
		Delta T	20	19	15	11	21	19	16	11	21	19	16	11	21	19	16	11	20	19	15	11	19	18	14	10
		KW	2.45	2.50	2.58	2.66	2.63	2.69	2.77	2.86	2.79	2.85	2.94	3.04	2.94	3.00	3.09	3.20	3.06	3.12	3.22	3.33	3.16	3.23	3.33	3.44
		AMPS	8.8	9.0	9.3	9.7	9.6	9.8	10.1	10.5	10.4	10.7	11.0	11.4	11.1	11.4	11.8	12.3	11.9	12.2	12.6	13.1	12.6	12.9	13.4	13.9
HIPR		234	252	266	277	262	282	298	311	298	321	339	354	340	366	386	403	382	411	434	453	422	454	480	501	
LOPR	106	112	123	131	112	119	130	138	116	123	135	144	122	130	142	151	128	136	148	158	132	141	153	163		
1350	MBh	34.9	35.9	38.9	41.7	34.1	35.1	38.0	40.7	33.3	34.2	37.1	39.8	32.4	33.4	36.2	38.8	30.8	31.7	34.4	36.9	28.6	29.4	31.8	34.2	
	S/T	0.82	0.74	0.56	0.36	0.85	0.76	0.58	0.37	0.87	0.78	0.59	0.38	0.90	0.81	0.61	0.39	0.94	0.84	0.63	0.41	0.94	0.84	0.64	0.41	
	Delta T	20	18	15	10	20	18	15	10	20	18	15	10	20	18	15	10	20	18	15	10	18	17	14	10	
	KW	2.47	2.52	2.60	2.68	2.66	2.71	2.79	2.88	2.82	2.88	2.97	3.06	2.96	3.02	3.12	3.22	3.08	3.15	3.25	3.36	3.19	3.26	3.36	3.47	
	AMPS	8.9	9.1	9.4	9.8	9.6	9.9	10.2	10.6	10.5	10.8	11.1	11.6	11.3	11.5	11.9	12.4	12.0	12.3	12.7	13.2	12.7	13.0	13.5	14.0	
	HIPR	236	254	268	280	265	285	301	314	301	324	342	357	343	369	390	407	386	415	439	458	427	459	485	506	
LOPR	107	114	124	132	113	120	131	139	117	125	136	145	123	131	143	152	129	137	150	160	133	142	155	165		

* Entering Indoor Dry Bulb Temperature

NOTE: Shaded area is ACCA (TVA) conditions

COOLING PERFORMANCE DATA

GSX130361A*

EXPANDED PERFORMANCE DATA

COOLING OPERATION

MODEL: GSX130361AA / CA*F4860*6** / ZP31K5E-PFV

IDB* Airflow		Outdoor Ambient Temperature																													
		65					75					85					95					105					115				
		59	63	67	71	75	59	63	67	71	75	59	63	67	71	75	59	63	67	71	75	59	63	67	71	75	59	63	67	71	75
1050	MBh	31.8	32.5	34.7	37.1	31.1	31.7	33.9	36.3	30.3	31.0	33.1	35.4	29.6	30.2	32.3	34.5	28.1	28.7	30.7	32.8	26.0	26.6	28.4	30.4						
	S/T	0.83	0.78	0.63	0.47	0.86	0.81	0.66	0.49	0.88	0.83	0.67	0.50	0.91	0.85	0.69	0.52	0.94	0.89	0.72	0.54	0.95	0.89	0.73	0.54						
	Delta T	23	22	19	15	23	22	19	16	23	22	20	16	24	23	20	16	23	22	19	15	22	21	18	14						
	KW	2.42	2.46	2.54	2.62	2.59	2.65	2.73	2.81	2.75	2.81	2.90	2.99	2.89	2.95	3.04	3.14	3.01	3.07	3.17	3.27	3.11	3.18	3.28	3.39						
	AMPS	8.7	8.9	9.2	9.5	9.4	9.6	9.9	10.3	10.2	10.5	10.8	11.2	10.9	11.2	11.6	12.0	11.7	11.9	12.4	12.8	12.4	12.7	13.1	13.6						
	HI PR	229	246	260	271	257	277	292	305	292	315	332	346	333	358	378	395	375	403	426	444	414	445	470	490						
	LO PR	104	110	120	128	109	116	127	135	114	121	132	141	119	127	139	148	125	133	145	155	129	138	150	160						
	MBh	34.5	35.2	37.6	40.2	33.7	34.4	36.8	39.3	32.9	33.6	35.9	38.4	32.1	32.8	35.0	37.4	30.5	31.1	33.3	35.5	28.2	28.8	30.8	32.9						
	S/T	0.86	0.81	0.66	0.49	0.89	0.84	0.68	0.51	0.91	0.86	0.70	0.52	0.94	0.88	0.72	0.54	0.98	0.92	0.75	0.56	0.99	0.93	0.75	0.56						
	Delta T	23	22	19	15	23	22	19	15	23	22	19	15	23	22	19	15	23	22	19	15	21	20	18	14						
KW	2.47	2.52	2.60	2.68	2.66	2.71	2.79	2.88	2.82	2.88	2.97	3.06	2.96	3.02	3.12	3.22	3.08	3.15	3.25	3.36	3.19	3.26	3.36	3.47							
AMPS	8.9	9.1	9.4	9.8	9.6	9.9	10.2	10.6	10.5	10.8	11.1	11.6	11.3	11.5	11.9	12.4	12.0	12.3	12.7	13.2	12.7	13.1	13.5	14.0							
HI PR	236	254	268	280	265	285	301	314	301	324	342	357	343	369	390	407	386	415	439	458	427	459	485	506							
LO PR	107	114	124	132	113	120	131	140	117	125	136	145	123	131	143	152	129	137	150	160	133	142	155	165							
MBh	35.5	36.3	38.8	41.4	34.7	35.4	37.9	40.5	33.8	34.6	37.0	39.5	33.0	33.7	36.1	38.5	31.4	32.1	34.2	36.6	29.1	29.7	31.7	33.9							
S/T	0.90	0.85	0.69	0.51	0.93	0.88	0.71	0.53	0.96	0.90	0.73	0.55	1.00	0.93	0.75	0.56	1.00	0.96	0.78	0.59	1.00	0.97	0.79	0.59							
Delta T	22	21	18	15	22	21	18	15	22	21	18	15	22	21	19	15	21	21	18	15	20	20	17	14							
KW	2.49	2.54	2.62	2.70	2.68	2.73	2.82	2.91	2.84	2.90	2.99	3.09	2.98	3.05	3.15	3.25	3.11	3.17	3.28	3.38	3.21	3.28	3.39	3.50							
AMPS	9.0	9.2	9.5	9.9	9.7	10.0	10.3	10.7	10.6	10.9	11.2	11.7	11.4	11.6	12.0	12.5	12.1	12.4	12.8	13.3	12.8	13.2	13.6	14.2							
HI PR	238	257	271	283	268	288	304	317	304	328	346	361	347	373	394	411	390	420	443	462	431	464	490	511							
LO PR	108	115	125	133	114	121	132	141	118	126	137	146	124	132	144	154	130	139	151	161	135	143	157	167							
MBh	32.4	33.0	34.6	36.9	31.6	32.2	33.8	36.0	30.9	31.5	32.9	35.1	30.1	30.7	32.1	34.3	28.6	29.2	30.5	32.6	26.5	27.0	28.3	30.2							
S/T	0.87	0.84	0.76	0.61	0.90	0.87	0.78	0.64	0.92	0.89	0.80	0.65	0.95	0.92	0.83	0.67	0.99	0.95	0.86	0.70	1.00	0.96	0.87	0.71							
Delta T	25	24	23	20	25	25	23	20	25	25	23	20	25	25	23	20	25	24	23	20	23	23	22	19							
KW	2.43	2.48	2.56	2.64	2.61	2.67	2.75	2.84	2.77	2.83	2.92	3.01	2.91	2.97	3.07	3.17	3.03	3.10	3.20	3.30	3.13	3.20	3.30	3.41							
AMPS	8.7	9.0	9.3	9.6	9.5	9.7	10.0	10.4	10.3	10.6	10.9	11.3	11.0	11.3	11.7	12.2	11.8	12.1	12.5	13.0	12.5	12.8	13.2	13.8							
HI PR	231	249	263	274	260	279	295	308	295	318	335	350	336	362	382	399	378	407	430	448	418	450	475	495							
LO PR	105	111	121	129	110	118	128	137	115	122	133	142	121	128	140	149	126	134	147	156	131	139	152	162							
MBh	35.1	35.7	37.4	39.9	34.3	34.9	36.6	39.0	33.4	34.1	35.7	38.1	32.6	33.3	34.8	37.2	31.0	31.6	33.1	35.3	28.7	29.3	30.6	32.7							
S/T	0.90	0.87	0.79	0.64	0.93	0.90	0.81	0.66	0.96	0.92	0.83	0.68	0.99	0.95	0.86	0.70	1.00	0.99	0.89	0.73	1.00	1.00	0.90	0.73							
Delta T	24	24	23	19	25	24	23	20	25	24	23	20	25	24	23	20	24	24	23	20	22	22	21	18							
KW	2.49	2.54	2.62	2.70	2.68	2.73	2.82	2.91	2.84	2.90	2.99	3.09	2.98	3.05	3.15	3.25	3.11	3.17	3.28	3.38	3.21	3.28	3.39	3.50							
AMPS	9.0	9.2	9.5	9.9	9.7	10.0	10.3	10.7	10.6	10.9	11.2	11.7	11.4	11.6	12.0	12.5	12.1	12.4	12.8	13.3	12.8	13.2	13.6	14.2							
HI PR	238	257	271	283	268	288	304	317	304	328	346	361	347	373	394	411	390	420	443	462	431	464	490	511							
LO PR	108	115	125	133	114	121	132	141	118	126	137	146	124	132	144	154	130	139	151	161	135	143	157	167							
MBh	36.1	36.8	38.6	41.1	35.3	36.0	37.7	40.2	34.4	35.1	36.8	39.2	33.6	34.2	35.9	38.3	31.9	32.5	34.1	36.4	29.6	30.1	31.6	33.7							
S/T	0.95	0.91	0.82	0.67	0.98	0.95	0.85	0.69	1.00	0.97	0.87	0.71	1.00	1.00	0.90	0.73	1.00	1.00	0.94	0.76	1.00	1.00	0.94	0.77							
Delta T	23	23	22	19	24	23	22	19	23	23	22	19	23	23	22	19	22	22	22	19	20	21	20	18							
KW	2.51	2.56	2.64	2.72	2.70	2.75	2.84	2.93	2.86	2.92	3.02	3.11	3.01	3.07	3.17	3.27	3.13	3.20	3.30	3.41	3.24	3.31	3.42	3.53							
AMPS	9.1	9.3	9.6	10.0	9.8	10.1	10.4	10.8	10.7	11.0	11.4	11.8	11.5	11.8	12.2	12.6	12.2	12.5	13.0	13.5	13.0	13.3	13.8	14.3							
HI PR	241	259	274	285	270	291	307	320	307	331	349	364	350	377	398	415	394	424	448	467	435	468	495	516							
LO PR	109	116	126	135	115	122	134	142	120	127	139	148	126	134	146	155	132	140	153	163	136	145	158	168							

NOTE: Shaded area is AHRI Rating Conditions

* Entering Indoor Dry Bulb Temperature

COOLING PERFORMANCE DATA

GSX130421A*

EXPANDED PERFORMANCE DATA

COOLING OPERATION

MODEL: GSX130421AA / CA*F4860*6** / ZP34K5-PFV

IDB*	Airflow	Outdoor Ambient Temperature																													
		65					75					85					95					105					115				
		59	63	67	71	75	59	63	67	71	75	59	63	67	71	75	59	63	67	71	75	59	63	67	71	75					
70	MBh	35.1	36.4	39.9	-	34.3	35.6	39.0	-	33.5	34.7	38.0	-	32.7	33.9	37.1	-	31.0	32.2	35.2	-	28.8	29.8	32.7	-						
	S/T	0.67	0.56	0.39	-	0.70	0.58	0.40	-	0.72	0.60	0.41	-	0.74	0.62	0.43	-	0.77	0.64	0.44	-	0.77	0.65	0.45	-						
	Delta T	18	15	12	-	18	16	12	-	18	16	12	-	18	16	12	-	18	15	12	-	17	14	11	-						
	KW	2.75	2.80	2.88	-	2.94	3.00	3.09	-	3.12	3.18	3.28	-	3.27	3.34	3.44	-	3.40	3.47	3.58	-	3.51	3.58	3.70	-						
	AMPS	9.7	10.0	10.3	-	10.6	10.8	11.2	-	11.5	11.8	12.2	-	12.4	12.7	13.1	-	13.2	13.5	14.0	-	14.0	14.4	14.9	-						
	HI PR	226	243	257	-	254	273	288	-	289	311	328	-	329	354	374	-	370	398	420	-	409	440	464	-						
	LO PR	103	109	120	-	109	116	126	-	113	120	131	-	119	126	138	-	124	132	144	-	129	137	149	-						
	MBh	38.1	39.4	43.2	-	37.2	38.5	42.2	-	36.3	37.6	41.2	-	35.4	36.7	40.2	-	33.6	34.9	38.2	-	31.2	32.3	35.4	-						
	S/T	0.70	0.58	0.40	-	0.72	0.61	0.42	-	0.74	0.62	0.43	-	0.77	0.64	0.44	-	0.80	0.66	0.46	-	0.80	0.67	0.46	-						
	Delta T	17	15	11	-	18	15	12	-	18	15	12	-	18	15	12	-	18	15	12	-	16	14	11	-						
KW	2.81	2.87	2.95	-	3.01	3.07	3.17	-	3.19	3.26	3.36	-	3.35	3.42	3.52	-	3.48	3.55	3.67	-	3.60	3.67	3.79	-							
AMPS	10.0	10.3	10.6	-	10.9	11.2	11.5	-	11.9	12.2	12.6	-	12.7	13.1	13.5	-	13.6	13.9	14.4	-	14.4	14.8	15.3	-							
HI PR	233	251	265	-	262	282	297	-	298	320	338	-	339	365	385	-	381	410	433	-	421	453	479	-							
LO PR	106	113	123	-	112	119	130	-	116	124	135	-	122	130	142	-	128	136	149	-	133	141	154	-							
MBh	39.2	40.6	44.5	-	38.3	39.7	43.5	-	37.4	38.7	42.4	-	36.5	37.8	41.4	-	34.6	35.9	39.3	-	32.1	33.3	36.4	-							
S/T	0.73	0.61	0.42	-	0.76	0.63	0.44	-	0.78	0.65	0.45	-	0.80	0.67	0.47	-	0.83	0.70	0.48	-	0.84	0.70	0.49	-							
Delta T	17	15	11	-	17	15	11	-	17	15	11	-	17	15	11	-	17	15	11	-	16	14	10	-							
KW	2.83	2.89	2.97	-	3.03	3.10	3.19	-	3.21	3.28	3.38	-	3.37	3.44	3.55	-	3.51	3.58	3.69	-	3.62	3.70	3.82	-							
AMPS	10.1	10.4	10.7	-	11.0	11.3	11.7	-	12.0	12.3	12.7	-	12.8	13.2	13.6	-	13.7	14.1	14.6	-	14.6	14.9	15.5	-							
HI PR	236	253	268	-	264	284	300	-	301	323	342	-	342	368	389	-	385	414	438	-	425	458	484	-							
LO PR	107	114	124	-	113	120	131	-	118	125	137	-	124	131	144	-	130	138	150	-	134	143	156	-							

IDB*	Airflow	Outdoor Ambient Temperature																													
		65					75					85					95					105					115				
		59	63	67	71	75	59	63	67	71	75	59	63	67	71	75	59	63	67	71	75	59	63	67	71	75					
75	MBh	35.7	36.8	39.8	42.7	34.9	35.9	38.9	41.7	34.1	35.1	38.0	40.7	33.2	34.2	37.0	39.7	31.6	32.5	35.2	37.8	29.2	30.1	32.6	35.0						
	S/T	0.77	0.69	0.52	0.33	0.79	0.71	0.54	0.35	0.81	0.73	0.55	0.35	0.84	0.75	0.57	0.37	0.87	0.78	0.59	0.38	0.88	0.79	0.60	0.38						
	Delta T	21	19	16	11	21	19	16	11	21	19	16	11	21	19	16	11	21	19	16	11	19	18	15	10						
	KW	2.77	2.82	2.91	2.99	2.97	3.03	3.12	3.21	3.14	3.20	3.30	3.41	3.29	3.36	3.47	3.58	3.43	3.50	3.61	3.72	3.54	3.61	3.73	3.85						
	AMPS	9.8	10.1	10.4	10.8	10.7	10.9	11.3	11.8	11.6	11.9	12.4	12.8	12.5	12.8	13.2	13.8	13.3	13.7	14.1	14.7	14.1	14.5	15.0	15.6						
	HI PR	228	246	260	271	256	276	291	304	292	314	331	346	332	357	377	394	374	402	425	443	413	444	469	489						
	LO PR	104	111	121	129	110	117	128	136	114	121	133	141	120	128	139	148	126	134	146	155	130	138	151	161						
	MBh	38.7	39.8	43.1	46.3	37.8	38.9	42.1	45.2	36.9	38.0	41.1	44.1	36.0	37.1	40.1	43.1	34.2	35.2	38.1	40.9	31.7	32.6	35.3	37.9						
	S/T	0.79	0.71	0.54	0.35	0.82	0.74	0.56	0.36	0.84	0.76	0.57	0.37	0.87	0.78	0.59	0.38	0.90	0.81	0.61	0.39	0.91	0.82	0.62	0.40						
	Delta T	20	19	15	11	20	19	15	11	20	19	15	11	21	19	16	11	20	19	15	11	19	17	14	10						
KW	2.83	2.89	2.97	3.06	3.04	3.10	3.19	3.29	3.22	3.28	3.38	3.49	3.37	3.44	3.55	3.66	3.51	3.58	3.70	3.81	3.62	3.70	3.82	3.94							
AMPS	10.1	10.4	10.7	11.2	11.0	11.3	11.7	12.1	12.0	12.3	12.7	13.2	12.9	13.2	13.6	14.2	13.7	14.1	14.6	15.1	14.6	14.9	15.5	16.1							
HI PR	236	253	268	279	264	284	300	313	301	323	342	356	342	368	389	406	385	415	438	457	426	458	484	504							
LO PR	107	114	124	133	113	120	131	140	118	125	137	146	124	131	144	153	130	138	150	160	134	143	156	166							
MBh	39.9	41.0	44.4	47.7	38.9	40.1	43.4	46.6	38.0	39.1	42.4	45.5	37.1	38.2	41.3	44.4	35.2	36.3	39.3	42.1	32.6	33.6	36.4	39.0							
S/T	0.83	0.75	0.56	0.36	0.86	0.77	0.58	0.38	0.89	0.79	0.60	0.39	0.91	0.82	0.62	0.40	0.95	0.85	0.64	0.41	0.96	0.86	0.65	0.42							
Delta T	19	18	15	10	20	18	15	10	20	18	15	10	20	18	15	10	20	18	15	10	18	17	14	9							
KW	2.85	2.91	3.00	3.09	3.06	3.12	3.21	3.31	3.24	3.31	3.41	3.52	3.40	3.47	3.58	3.69	3.54	3.61	3.73	3.84	3.65	3.73	3.85	3.98							
AMPS	10.2	10.5	10.8	11.3	11.1	11.4	11.8	12.2	12.1	12.4	12.8	13.3	13.0	13.3	13.8	14.3	13.8	14.2	14.7	15.3	14.7	15.1	15.6	16.2							
HI PR	238	256	270	282	267	287	303	316	304	327	345	360	346	372	393	410	389	419	442	461	430	463	488	509							
LO PR	108	115	126	134	114	122	133	141	119	126	138	147	125	133	145	154	131	139	152	162	135	144	157	167							

* Entering Indoor Dry Bulb Temperature

NOTE: Shaded area is ACCA (TVA) conditions

COOLING PERFORMANCE DATA

GSX130421A*

EXPANDED PERFORMANCE DATA

COOLING OPERATION

MODEL: GSX130421AA / CA*F4860*6** / ZP34K5-PFV

IDB*	Airflow	Outdoor Ambient Temperature												Cooling Operation												
		65				75				85				95				105				115				
		59	63	67	71	59	63	67	71	59	63	67	71	59	63	67	71	59	63	67	71	59	63	67	71	
80	1225	MBh	36.4	37.1	39.7	42.4	35.5	36.3	38.8	41.4	34.7	35.4	37.8	40.5	33.8	34.6	36.9	39.5	32.1	32.8	35.1	37.5	29.8	30.4	32.5	34.7
		S/T	0.84	0.79	0.64	0.48	0.87	0.82	0.67	0.50	0.89	0.84	0.68	0.51	0.92	0.86	0.70	0.53	0.96	0.90	0.73	0.55	0.97	0.91	0.74	0.55
		Delta T	23	22	19	15	23	22	19	15	23	22	19	15	23	22	20	16	23	22	19	15	22	21	18	14
		KW	2.79	2.84	2.93	3.02	2.99	3.05	3.14	3.24	3.16	3.23	3.33	3.43	3.32	3.39	3.49	3.61	3.45	3.53	3.64	3.75	3.57	3.64	3.76	3.88
		AMPS	9.9	10.2	10.5	10.9	10.8	11.0	11.4	11.9	11.8	12.1	12.5	13.0	12.6	12.9	13.4	13.9	13.4	13.8	14.3	14.8	14.3	14.6	15.2	15.8
		HI PR	231	248	262	274	259	279	294	307	295	317	335	349	335	361	381	398	377	406	429	447	417	449	474	494
	LO PR	105	112	122	130	111	118	129	137	115	123	134	143	121	129	141	150	127	135	147	157	131	140	152	162	
	MBh	39.4	40.2	43.0	46.0	38.5	39.3	42.0	44.9	37.6	38.4	41.0	43.8	36.6	37.4	40.0	42.8	34.8	35.6	38.0	40.6	32.2	32.9	35.2	37.6	
	S/T	0.87	0.82	0.67	0.50	0.90	0.85	0.69	0.52	0.93	0.87	0.71	0.53	0.96	0.90	0.73	0.55	0.99	0.93	0.76	0.57	1.00	0.94	0.76	0.57	
	Delta T	23	22	19	15	23	22	19	15	23	22	19	15	23	22	19	15	23	22	19	15	21	20	18	14	
	KW	2.85	2.91	3.00	3.09	3.06	3.12	3.22	3.31	3.24	3.31	3.41	3.52	3.40	3.47	3.58	3.69	3.54	3.61	3.73	3.85	3.65	3.73	3.85	3.98	
	AMPS	10.2	10.5	10.8	11.3	11.1	11.4	11.8	12.2	12.1	12.4	12.8	13.3	13.0	13.3	13.8	14.3	13.8	14.2	14.7	15.3	14.7	15.1	15.6	16.2	
HI PR	238	256	270	282	267	287	303	316	304	327	345	360	346	372	393	410	389	419	442	461	430	463	488	510		
LO PR	108	115	126	134	114	122	133	141	119	126	138	147	125	133	145	154	131	139	152	162	135	144	157	167		
MBh	40.6	41.5	44.3	47.3	39.6	40.5	43.3	46.2	38.7	39.5	42.2	45.1	37.7	38.6	41.2	44.0	35.9	36.6	39.1	41.8	33.2	33.9	36.3	38.8		
S/T	0.91	0.86	0.70	0.52	0.95	0.89	0.72	0.54	1.00	0.91	0.74	0.55	1.00	0.94	0.77	0.57	1.00	1.00	0.79	0.59	1.00	1.00	0.80	0.60		
Delta T	22	21	18	14	22	21	18	15	23	21	18	15	22	21	18	15	21	21	18	15	19	20	17	14		
KW	2.87	2.93	3.02	3.11	3.08	3.14	3.24	3.34	3.27	3.33	3.44	3.54	3.43	3.50	3.61	3.72	3.56	3.64	3.76	3.88	3.68	3.76	3.88	4.01		
AMPS	10.3	10.6	10.9	11.4	11.2	11.5	11.9	12.3	12.2	12.5	13.0	13.5	13.1	13.4	13.9	14.5	14.0	14.3	14.8	15.4	14.8	15.2	15.8	16.4		
HI PR	240	259	273	285	270	290	306	320	307	330	349	363	349	376	397	414	393	423	447	466	434	467	493	515		
LO PR	109	116	127	135	116	123	134	143	120	128	139	148	126	134	146	156	132	141	153	163	137	145	159	169		
85	1225	MBh	37.0	37.7	39.5	42.1	36.1	36.8	38.6	41.2	35.3	36.0	37.7	40.2	34.4	35.1	36.7	39.2	32.7	33.3	34.9	37.2	30.3	30.9	32.3	34.5
		S/T	0.88	0.85	0.77	0.62	0.91	0.88	0.80	0.65	0.94	0.90	0.82	0.66	0.97	0.93	0.84	0.68	1.00	0.97	0.87	0.71	1.00	0.98	0.88	0.71
		Delta T	24	24	23	20	25	24	23	20	25	24	23	20	25	25	23	20	25	24	23	20	23	23	21	19
		KW	2.81	2.87	2.95	3.04	3.01	3.07	3.16	3.26	3.19	3.25	3.35	3.46	3.36	3.42	3.52	3.63	3.48	3.55	3.66	3.78	3.59	3.67	3.79	3.91
		AMPS	10.0	10.3	10.6	11.0	10.9	11.2	11.5	12.0	11.9	12.2	12.6	13.1	12.7	13.0	13.5	14.0	13.6	13.9	14.4	15.0	14.4	14.8	15.3	15.9
		HI PR	233	251	265	276	262	281	297	310	297	320	338	353	339	365	385	402	381	410	433	452	421	453	479	499
	LO PR	106	113	123	131	112	119	130	139	116	124	135	144	122	130	142	151	128	136	149	159	133	141	154	164	
	MBh	40.1	40.9	42.8	45.6	39.1	39.9	41.8	44.6	38.2	39.0	40.8	43.5	37.3	38.0	39.8	42.5	35.4	36.1	37.8	40.3	32.8	33.4	35.0	37.4	
	S/T	0.91	0.88	0.80	0.65	0.95	0.91	0.82	0.67	0.97	0.94	0.85	0.69	1.00	0.97	0.87	0.71	1.00	1.00	0.91	0.74	1.00	1.00	0.91	0.74	
	Delta T	24	24	22	19	24	24	23	20	24	24	23	20	24	24	23	20	23	24	22	19	22	22	21	18	
	KW	2.87	2.93	3.02	3.11	3.08	3.14	3.24	3.34	3.27	3.33	3.44	3.54	3.43	3.50	3.61	3.72	3.56	3.64	3.76	3.88	3.68	3.76	3.88	4.01	
	AMPS	10.3	10.6	10.9	11.4	11.2	11.5	11.9	12.3	12.2	12.5	13.0	13.5	13.1	13.4	13.9	14.5	14.0	14.3	14.8	15.4	14.8	15.2	15.8	16.4	
HI PR	240	259	273	285	270	290	306	320	307	330	349	363	349	376	397	414	393	423	447	466	434	467	493	515		
LO PR	109	116	127	135	116	123	134	143	120	128	139	148	126	134	146	156	132	141	153	163	137	145	159	169		
MBh	41.3	42.1	44.1	47.0	40.3	41.1	43.0	45.9	39.4	40.1	42.0	44.8	38.4	39.1	41.0	43.7	36.5	37.2	38.9	41.5	33.8	34.4	36.1	38.5		
S/T	0.96	0.92	0.83	0.68	0.99	0.96	0.86	0.70	1.00	0.98	0.89	0.72	1.00	1.00	0.92	0.74	1.00	1.00	0.95	0.77	1.00	1.00	0.96	0.78		
Delta T	23	23	21	19	23	23	22	19	23	23	22	19	23	23	22	19	21	22	22	19	20	20	20	17		
KW	2.90	2.95	3.04	3.13	3.11	3.17	3.27	3.37	3.29	3.36	3.46	3.57	3.45	3.53	3.64	3.75	3.59	3.67	3.79	3.91	3.71	3.79	3.91	4.04		
AMPS	10.4	10.7	11.0	11.5	11.3	11.6	12.0	12.5	12.3	12.7	13.1	13.6	13.2	13.6	14.0	14.6	14.1	14.5	15.0	15.6	15.0	15.4	15.9	16.5		
HI PR	243	261	276	288	272	293	309	323	310	333	352	367	353	380	401	418	397	427	451	470	439	472	498	520		
LO PR	110	117	128	137	117	124	135	144	121	129	141	150	127	135	148	158	133	142	155	165	138	147	160	171		

* Entering Indoor Dry Bulb Temperature

NOTE: Shaded area is AHRI Rating Conditions

COOLING PERFORMANCE DATA

GSX130481A*

EXPANDED PERFORMANCE DATA

COOLING OPERATION

MODEL: GSX13048-1AA / CA*F4860*6** / ZP39K5E-PFV

IDB* Airflow		Outdoor Ambient Temperature																													
		65					75					85					95					105					115				
		59	63	67	71	75	59	63	67	71	75	59	63	67	71	75	59	63	67	71	75	59	63	67	71	75	59	63	67	71	75
1400	MBh	40.4	41.9	45.9	-	39.5	40.9	44.8	-	38.5	39.9	43.7	-	37.6	38.9	42.7	-	36.7	37.0	40.5	-	35.7	37.0	40.5	-	33.1	34.3	37.5	-		
	S/T	0.69	0.58	0.40	-	0.72	0.60	0.42	-	0.74	0.61	0.43	-	0.76	0.63	0.44	-	0.79	0.66	0.46	-	0.80	0.66	0.46	-	0.80	0.66	0.46	-		
	Delta T	18	16	12	-	19	16	12	-	19	16	12	-	19	16	12	-	18	16	12	-	17	15	11	-	17	15	11	-		
	KW	3.05	3.12	3.22	-	3.29	3.37	3.47	-	3.50	3.58	3.70	-	3.69	3.77	3.90	-	3.85	3.93	4.07	-	3.98	4.07	4.21	-	3.98	4.07	4.21	-		
	AMPS	11.2	11.4	11.8	-	12.1	12.4	12.8	-	13.1	13.5	13.9	-	14.1	14.4	14.9	-	15.0	15.4	15.9	-	15.9	16.3	16.9	-	15.9	16.3	16.9	-		
	HI PR	226	243	257	-	254	273	288	-	289	311	328	-	329	354	374	-	370	398	420	-	409	440	464	-	409	440	464	-		
	LO PR	106	112	123	-	112	119	130	-	116	124	135	-	122	130	142	-	128	136	148	-	132	141	154	-	132	141	154	-		
	MBh	43.8	45.4	49.7	-	42.7	44.3	48.5	-	41.7	43.2	47.4	-	40.7	42.2	46.2	-	38.7	40.1	43.9	-	35.8	37.1	40.7	-	35.8	37.1	40.7	-		
	S/T	0.72	0.60	0.42	-	0.74	0.62	0.43	-	0.76	0.64	0.44	-	0.79	0.66	0.46	-	0.82	0.68	0.47	-	0.82	0.69	0.48	-	0.82	0.69	0.48	-		
	Delta T	18	16	12	-	18	16	12	-	18	16	12	-	18	16	12	-	18	16	12	-	17	15	11	-	17	15	11	-		
KW	3.13	3.20	3.30	-	3.38	3.45	3.56	-	3.59	3.67	3.80	-	3.79	3.87	4.00	-	3.95	4.04	4.17	-	4.09	4.18	4.32	-	4.09	4.18	4.32	-			
AMPS	11.5	11.8	12.1	-	12.4	12.7	13.2	-	13.5	13.9	14.3	-	14.5	14.8	15.4	-	15.4	15.8	16.4	-	16.4	16.8	17.4	-	16.4	16.8	17.4	-			
HI PR	233	251	265	-	262	282	297	-	298	320	338	-	339	365	385	-	381	410	433	-	421	453	479	-	421	453	479	-			
LO PR	109	116	127	-	115	123	134	-	120	127	139	-	126	134	146	-	132	140	153	-	136	145	158	-	136	145	158	-			
MBh	45.1	46.7	51.2	-	44.0	45.6	50.0	-	43.0	44.5	48.8	-	41.9	43.5	47.6	-	39.8	41.3	45.2	-	36.9	38.2	41.9	-	36.9	38.2	41.9	-			
S/T	0.75	0.63	0.44	-	0.78	0.65	0.45	-	0.80	0.67	0.46	-	0.83	0.69	0.48	-	0.86	0.72	0.50	-	0.86	0.72	0.50	-	0.86	0.72	0.50	-			
Delta T	17	15	11	-	18	15	12	-	18	15	12	-	18	15	12	-	17	15	11	-	16	14	11	-	16	14	11	-			
KW	3.16	3.22	3.33	-	3.40	3.48	3.59	-	3.62	3.70	3.83	-	3.82	3.90	4.03	-	3.98	4.07	4.21	-	4.12	4.22	4.36	-	4.12	4.22	4.36	-			
AMPS	11.6	11.9	12.3	-	12.5	12.9	13.3	-	13.7	14.0	14.5	-	14.6	15.0	15.5	-	15.6	16.0	16.5	-	16.5	17.0	17.5	-	16.5	17.0	17.5	-			
HI PR	236	253	268	-	264	284	300	-	301	323	342	-	342	368	389	-	385	414	438	-	425	458	484	-	425	458	484	-			
LO PR	110	117	128	-	116	124	135	-	121	129	140	-	127	135	147	-	133	142	155	-	138	146	160	-	138	146	160	-			
1800	MBh	41.1	42.3	45.8	49.1	40.1	41.3	44.7	48.0	39.2	40.3	43.7	46.8	38.2	39.3	42.6	45.7	36.3	37.4	40.5	43.4	33.6	34.6	37.5	40.2	33.6	34.6	37.5	40.2		
	S/T	0.79	0.70	0.53	0.34	0.82	0.73	0.55	0.36	0.84	0.75	0.57	0.36	0.86	0.77	0.58	0.38	0.90	0.80	0.61	0.39	0.90	0.81	0.61	0.39	0.90	0.81	0.61	0.39		
	Delta T	21	20	16	11	22	20	16	11	22	20	16	11	22	20	16	11	21	20	16	11	21	20	16	11	20	18	15	10		
	KW	3.08	3.15	3.25	3.35	3.32	3.39	3.50	3.62	3.53	3.61	3.73	3.86	3.72	3.80	3.93	4.07	3.88	3.97	4.10	4.24	4.02	4.11	4.25	4.40	4.02	4.11	4.25	4.40		
	AMPS	11.3	11.5	11.9	12.4	12.2	12.5	12.9	13.4	13.3	13.6	14.1	14.6	14.2	14.6	15.1	15.6	15.1	15.5	16.1	16.7	16.7	16.1	16.5	17.0	16.1	16.5	17.0	17.7		
	HI PR	228	246	260	271	256	276	291	304	292	314	331	346	332	357	377	394	374	402	425	443	413	444	469	489	413	444	469	489		
	LO PR	107	114	124	132	113	120	131	140	117	125	136	145	123	131	143	152	129	137	150	160	134	142	155	165	134	142	155	165		
	MBh	44.5	45.8	49.6	53.2	43.5	44.8	48.4	52.0	42.4	43.7	47.3	50.8	41.4	42.6	46.1	49.5	39.3	40.5	43.8	47.0	36.4	37.5	40.6	43.6	36.4	37.5	40.6	43.6		
	S/T	0.82	0.73	0.55	0.36	0.85	0.76	0.57	0.37	0.87	0.78	0.59	0.38	0.90	0.80	0.61	0.39	0.93	0.83	0.63	0.40	0.94	0.84	0.63	0.41	0.94	0.84	0.63	0.41		
	Delta T	21	19	16	11	21	19	16	11	21	19	16	11	21	20	16	11	21	20	16	11	20	18	15	10	20	18	15	10		
KW	3.16	3.22	3.33	3.44	3.40	3.48	3.59	3.71	3.62	3.71	3.83	3.96	3.82	3.90	4.04	4.17	3.98	4.07	4.21	4.36	4.12	4.22	4.36	4.51	4.12	4.22	4.36	4.51			
AMPS	11.6	11.9	12.3	12.7	12.5	12.9	13.3	13.8	13.7	14.0	14.5	15.0	14.6	15.0	15.5	16.1	15.6	16.0	16.5	17.2	16.5	17.0	17.5	18.2	16.5	17.0	17.5	18.2			
HI PR	236	253	268	279	264	284	300	313	301	323	342	356	342	368	389	406	385	415	438	457	426	458	484	504	426	458	484	504			
LO PR	110	117	128	136	116	124	135	144	121	129	140	150	127	135	148	157	133	142	155	165	138	146	160	170	138	146	160	170			
MBh	45.8	47.2	51.1	54.8	44.8	46.1	49.9	53.6	43.7	45.0	48.7	52.3	42.6	43.9	47.5	51.0	40.5	41.7	45.1	48.5	37.5	38.6	41.8	44.9	37.5	38.6	41.8	44.9			
S/T	0.86	0.77	0.58	0.37	0.89	0.79	0.60	0.39	0.91	0.81	0.62	0.40	0.94	0.84	0.64	0.41	0.97	0.87	0.66	0.42	0.98	0.88	0.67	0.43	0.98	0.88	0.67	0.43			
Delta T	20	18	15	10	20	19	15	11	20	19	15	11	20	19	15	11	20	19	15	11	19	17	14	10	19	17	14	10			
KW	3.18	3.25	3.36	3.47	3.43	3.51	3.62	3.75	3.65	3.74	3.86	3.99	3.85	3.94	4.07	4.21	4.02	4.11	4.25	4.39	4.16	4.26	4.40	4.55	4.16	4.26	4.40	4.55			
AMPS	11.7	12.0	12.4	12.9	12.7	13.0	13.4	13.9	13.8	14.1	14.6	15.2	14.8	15.1	15.6	16.3	15.7	16.1	16.7	17.3	16.7	17.1	17.7	18.4	16.7	17.1	17.7	18.4			
HI PR	238	256	270	282	267	287	303	316	304	327	345	360	346	372	393	410	389	419	442	461	430	463	488	509	430	463	488	509			
LO PR	111	118	129	138	118	125	136	145	122	130	142	151	128	136	149	159	134	143	156	166	139	148	161	172	139	148	161	172			

* Entering Indoor Dry Bulb Temperature
NOTE: Shaded area is ACCA (TVA) conditions

COOLING PERFORMANCE DATA

GSX130481A*

EXPANDED PERFORMANCE DATA

COOLING OPERATION

MODEL: GSX13048-1AA / CA*F4860*6** / ZP39K5E-PFV

IDB* Airflow		Outdoor Ambient Temperature																																																	
		65					75					85					95					105					115																								
		59	63	67	71	75	59	63	67	71	75	59	63	67	71	75	59	63	67	71	75	59	63	67	71	75	59	63	67	71	75																				
80	1400	MBh	41.8	42.7	45.6	48.8	40.8	41.7	44.6	47.7	39.9	40.7	43.5	46.5	38.9	39.7	42.5	45.4	36.9	37.8	40.3	43.1	34.2	35.0	37.4	39.9	S/T	0.86	0.81	0.66	0.49	0.90	0.84	0.68	0.51	0.92	0.86	0.70	0.52	0.95	0.89	0.72	0.54	0.98	0.92	0.75	0.56	0.99	0.93	0.76	0.57
		Delta T	24	23	20	16	24	23	20	16	24	23	20	16	24	23	20	16	24	23	20	16	24	23	20	16	24	23	20	16	24	23	20	16	24	23	20	16	24	23	20	16	24	23	20	16					
		KW	3.10	3.17	3.27	3.38	3.35	3.42	3.53	3.65	3.56	3.64	3.76	3.89	3.75	3.84	3.97	4.10	3.91	4.00	4.14	4.28	4.05	4.15	4.29	4.43	AMPS	11.4	11.6	12.0	12.5	12.3	12.6	13.0	13.5	13.4	13.7	14.2	14.7	15.2	15.8	16.2	16.8	16.2	16.6	17.2	17.9				
		HI PR	231	248	262	274	259	279	294	307	295	317	335	349	335	361	381	398	377	406	429	447	417	449	474	494	LO PR	108	115	125	133	114	121	132	141	118	126	138	147	124	132	145	154	130	139	151	161	135	144	157	167
		MBh	45.3	46.3	49.5	52.9	44.2	45.2	48.3	51.6	43.2	44.1	47.2	50.4	42.1	43.1	46.0	49.2	40.0	40.9	43.7	46.7	37.1	37.9	40.5	43.3	S/T	0.90	0.84	0.68	0.51	0.93	0.87	0.71	0.53	0.95	0.89	0.73	0.54	0.98	0.92	0.75	0.56	1.00	0.96	0.78	0.58	1.00	0.96	0.78	0.59
	Delta T	23	22	19	16	24	23	20	16	24	23	20	16	24	23	20	16	24	23	20	16	24	23	20	16	24	23	20	16	24	23	20	16	24	23	20	16	24	23	20	16	24	23	20	16						
	KW	3.18	3.25	3.36	3.47	3.43	3.51	3.62	3.75	3.66	3.74	3.86	3.99	3.85	3.94	4.07	4.21	4.02	4.11	4.25	4.39	4.16	4.26	4.40	4.55	AMPS	11.7	12.0	12.4	12.9	12.7	13.0	13.4	13.9	13.8	14.1	14.6	15.2	14.8	15.1	15.7	16.3	15.7	16.1	16.7	17.3	16.7	17.1	17.7	18.4	
	HI PR	238	256	270	282	267	287	303	316	304	327	345	360	346	372	393	410	389	419	442	461	430	463	488	510	LO PR	111	118	129	138	118	125	136	145	122	130	142	151	128	136	149	159	134	143	156	166	139	148	162	172	
	MBh	46.7	47.7	50.9	54.4	45.6	46.6	49.7	53.2	44.5	45.5	48.6	51.9	43.4	44.3	47.4	50.6	41.2	42.1	45.0	48.1	38.2	39.0	41.7	44.6	S/T	0.94	0.88	0.72	0.54	1.00	0.91	0.74	0.56	1.00	0.94	0.76	0.57	1.00	0.97	0.79	0.59	1.00	1.00	0.82	0.61	1.00	1.00	0.82	0.62	
	Delta T	22	21	19	15	23	22	19	15	23	22	19	15	22	22	19	15	22	22	19	15	21	22	19	14	21	22	19	15	21	22	19	15	20	20	18	14	20	20	18	14										
KW	3.21	3.28	3.38	3.50	3.46	3.54	3.65	3.78	3.69	3.77	3.89	4.03	3.88	3.97	4.10	4.25	4.05	4.14	4.28	4.43	4.20	4.29	4.44	4.59	AMPS	11.8	12.1	12.5	13.0	12.8	13.1	13.5	14.1	13.9	14.3	14.8	15.3	14.9	15.3	15.8	16.4	15.9	16.3	16.8	17.5	16.9	17.3	17.9	18.6		
HI PR	240	259	273	285	270	290	306	320	307	330	349	363	349	376	397	414	393	423	447	466	434	467	493	515	LO PR	112	120	130	139	119	126	138	147	123	131	143	153	130	138	150	160	136	144	158	168	140	149	163	174		
MBh	42.5	43.4	45.4	48.5	41.5	42.4	44.4	47.3	40.6	41.3	43.3	46.2	39.6	40.3	42.2	45.1	37.6	38.3	40.1	42.8	34.8	35.5	37.2	39.7	S/T	0.91	0.87	0.79	0.64	0.94	0.91	0.82	0.66	0.96	0.93	0.84	0.68	0.99	0.96	0.86	0.70	1.00	0.99	0.90	0.73	1.00	1.00	0.91	0.73		
Delta T	25	25	24	20	26	25	24	21	26	25	24	21	26	25	24	21	26	25	24	21	25	25	23	19	25	25	24	21	25	25	24	21	23	23	22	19	23	23	22	19											
KW	3.13	3.20	3.30	3.41	3.38	3.45	3.56	3.68	3.59	3.67	3.79	3.92	3.78	3.87	4.00	4.14	3.95	4.04	4.17	4.32	4.09	4.18	4.32	4.47	AMPS	11.5	11.7	12.1	12.6	12.4	12.7	13.2	13.7	13.5	13.9	14.3	14.9	14.5	14.8	15.3	15.9	15.4	15.8	16.4	17.0	16.4	16.8	17.4	18.0		
HI PR	233	251	265	276	262	281	297	310	297	320	338	353	339	365	385	402	381	410	433	452	421	453	479	499	LO PR	109	116	127	135	115	122	134	142	120	127	139	148	126	134	146	155	132	140	153	163	136	145	158	169		
MBh	46.1	47.0	49.2	52.5	45.0	45.9	48.1	51.3	43.9	44.8	46.9	50.1	42.9	43.7	45.8	48.8	40.7	41.5	43.5	46.4	37.7	38.5	40.3	43.0	S/T	0.94	0.91	0.82	0.66	0.97	0.94	0.85	0.69	1.00	0.96	0.87	0.71	1.00	0.99	0.90	0.73	1.00	1.00	0.93	0.76	1.00	1.00	0.94	0.76		
Delta T	25	24	23	20	25	25	23	20	25	25	23	20	25	25	24	20	25	25	24	20	23	24	22	19	23	24	23	20	23	24	23	20	22	22	22	19	22	22	22	19											
KW	3.21	3.28	3.38	3.50	3.46	3.54	3.65	3.78	3.69	3.77	3.89	4.03	3.88	3.97	4.10	4.25	4.05	4.14	4.28	4.43	4.20	4.29	4.44	4.59	AMPS	11.8	12.1	12.5	13.0	12.8	13.1	13.5	14.1	13.9	14.3	14.8	15.3	14.9	15.3	15.8	16.4	15.9	16.3	16.8	17.5	16.9	17.3	17.9	18.6		
HI PR	240	259	273	285	270	290	306	320	307	330	349	363	349	376	397	414	393	423	447	466	434	467	493	515	LO PR	112	120	130	139	119	126	138	147	123	131	143	153	130	138	150	160	136	144	158	168	140	149	163	174		
MBh	47.5	48.4	50.7	54.1	46.4	47.3	49.5	52.8	45.3	46.1	48.3	51.6	44.2	45.0	47.1	50.3	42.0	42.8	44.8	47.8	38.9	39.6	41.5	44.3	S/T	0.98	0.95	0.86	0.70	1.00	0.98	0.89	0.72	1.00	1.00	0.91	0.74	1.00	1.00	0.94	0.76	1.00	1.00	0.98	0.79	1.00	1.00	0.98	0.80		
Delta T	24	23	22	19	24	24	22	19	23	24	22	19	23	23	23	20	21	22	22	19	20	20	20	18	20	21	22	19	20	21	22	19	20	20	20	18	20	20	20	18											
KW	3.23	3.30	3.41	3.53	3.49	3.57	3.69	3.81	3.72	3.80	3.93	4.06	3.92	4.01	4.14	4.28	4.09	4.18	4.32	4.47	4.23	4.33	4.48	4.63	AMPS	11.9	12.2	12.6	13.1	12.9	13.2	13.7	14.2	14.0	14.4	14.9	15.5	15.0	15.4	15.9	16.6	16.0	16.4	17.0	17.7	17.0	17.4	18.0	18.8		
HI PR	243	261	276	288	272	293	309	323	310	333	352	367	353	380	401	418	397	427	451	470	439	472	498	520	LO PR	113	121	132	140	120	128	139	148	125	133	145	154	131	139	152	162	137	146	159	170	142	151	165	175		

NOTE: Shaded area is AHR1 Rating Conditions

* Entering Indoor Dry Bulb Temperature

COOLING PERFORMANCE DATA

GSX130601A*

EXPANDED PERFORMANCE DATA

COOLING OPERATION

MODEL: GSX130601AA / CA*F4860*6**/ ZP51K5E-PFV

IDB*	Airflow	Outdoor Ambient Temperature																																			
		65						75						85						95						105						115					
		59	63	67	71	75	79	59	63	67	71	75	79	59	63	67	71	75	79	59	63	67	71	75	79	59	63	67	71	75	79						
70	1488	MBh	50.1	51.9	56.8	-	48.9	50.7	55.5	-	47.7	49.5	54.2	-	46.6	48.3	52.9	-	44.2	45.8	50.2	-	41.0	42.5	46.5	-											
		S/T	0.65	0.54	0.37	-	0.67	0.56	0.39	-	0.69	0.57	0.40	-	0.71	0.59	0.41	-	0.74	0.61	0.43	-	0.74	0.62	0.43	-											
		Delta T	20	17	13	-	20	18	13	-	20	18	13	-	20	18	13	-	20	17	13	-	19	16	12	-											
		KW	3.85	3.93	4.05	-	4.14	4.23	4.36	-	4.40	4.49	4.64	-	4.63	4.73	4.88	-	4.82	4.93	5.09	-	4.99	5.10	5.26	-											
		AMPS	14.3	14.6	15.1	-	15.5	15.9	16.4	-	16.9	17.3	17.9	-	18.1	18.5	19.2	-	19.3	19.7	20.4	-	20.4	21.0	21.7	-											
	1700	HIPR	224	241	254	-	251	270	285	-	286	307	325	-	325	350	370	-	366	394	416	-	404	435	460	-											
		LO PR	98	104	114	-	103	110	120	-	108	114	125	-	113	120	131	-	118	126	137	-	122	130	142	-											
		MBh	54.2	56.2	61.6	-	53.0	54.9	60.1	-	51.7	53.6	58.7	-	50.4	52.3	57.3	-	47.9	49.7	54.4	-	44.4	46.0	50.4	-											
		S/T	0.67	0.56	0.39	-	0.69	0.58	0.40	-	0.71	0.60	0.41	-	0.74	0.61	0.43	-	0.76	0.64	0.44	-	0.77	0.64	0.45	-											
		Delta T	20	17	13	-	20	17	13	-	20	17	13	-	20	17	13	-	20	17	13	-	18	16	12	-											
1913	KW	3.95	4.03	4.15	-	4.25	4.34	4.47	-	4.51	4.61	4.76	-	4.74	4.85	5.01	-	4.94	5.05	5.22	-	5.11	5.23	5.40	-												
	AMPS	14.7	15.0	15.6	-	15.9	16.3	16.9	-	17.3	17.8	18.4	-	18.6	19.1	19.7	-	19.8	20.3	21.0	-	21.0	21.6	22.3	-												
	HIPR	231	248	262	-	259	279	294	-	295	317	335	-	335	361	381	-	377	406	429	-	417	449	474	-												
	LO PR	101	107	117	-	107	113	124	-	111	118	129	-	116	124	135	-	122	130	142	-	126	134	147	-												
	MBh	55.9	57.9	63.4	-	54.6	56.5	62.0	-	53.3	55.2	60.5	-	52.0	53.9	59.0	-	49.4	51.2	56.1	-	45.7	47.4	51.9	-												
75	1488	S/T	0.70	0.59	0.41	-	0.73	0.61	0.42	-	0.75	0.62	0.43	-	0.77	0.64	0.45	-	0.80	0.67	0.46	-	0.81	0.67	0.47	-											
		Delta T	19	16	12	-	19	17	13	-	19	17	13	-	19	17	13	-	19	16	12	-	18	15	12	-											
		KW	3.98	4.06	4.19	-	4.28	4.37	4.51	-	4.55	4.65	4.79	-	4.78	4.89	5.05	-	4.98	5.09	5.26	-	5.16	5.27	5.45	-											
		AMPS	14.8	15.2	15.7	-	16.1	16.5	17.1	-	17.5	18.0	18.6	-	18.8	19.2	19.9	-	20.0	20.5	21.2	-	21.2	21.8	22.5	-											
		HIPR	233	251	265	-	262	281	297	-	297	320	338	-	339	365	385	-	381	410	433	-	421	453	479	-											
	1700	LO PR	102	108	118	-	108	115	125	-	112	119	130	-	118	125	137	-	123	131	143	-	127	136	148	-											
		MBh	50.9	52.4	56.7	60.9	49.7	51.2	55.4	59.5	48.5	50.0	54.1	58.1	47.3	48.8	52.8	56.6	45.0	46.3	50.1	53.8	41.7	42.9	46.4	49.8											
		S/T	0.73	0.66	0.50	0.32	0.76	0.68	0.52	0.33	0.78	0.70	0.53	0.34	0.81	0.72	0.55	0.36	0.84	0.75	0.57	0.36	0.84	0.75	0.57	0.37											
		Delta T	23	21	17	12	23	22	18	12	23	22	18	12	24	22	18	12	23	21	18	12	22	20	16	11											
		KW	3.88	3.96	4.09	4.22	4.18	4.27	4.40	4.54	4.44	4.53	4.68	4.83	4.67	4.77	4.92	5.08	4.86	4.97	5.13	5.30	5.03	5.14	5.31	5.49											
1913	AMPS	14.4	14.8	15.3	15.9	15.6	16.0	16.6	17.2	17.0	17.4	18.0	18.8	18.2	18.7	19.3	20.1	19.4	19.9	20.6	21.4	20.6	21.2	21.9	22.8												
	HIPR	226	243	257	268	254	273	288	301	289	311	328	342	329	354	374	390	370	398	420	438	409	440	464	484												
	LO PR	99	105	115	122	105	111	121	129	109	116	126	134	114	121	133	141	120	127	139	148	124	132	144	153												
	MBh	55.1	56.8	61.5	66.0	53.9	55.5	60.0	64.4	52.6	54.1	58.6	62.9	51.3	52.8	57.2	61.4	48.7	50.2	54.3	58.3	45.1	46.5	50.3	54.0												
	S/T	0.76	0.68	0.52	0.33	0.79	0.71	0.53	0.34	0.81	0.72	0.55	0.35	0.84	0.75	0.57	0.36	0.87	0.78	0.59	0.38	0.88	0.78	0.59	0.38												
75	1488	Delta T	23	21	17	12	23	21	17	12	23	21	17	12	23	21	17	12	23	21	17	12	21	20	16	11											
		KW	3.98	4.06	4.19	4.32	4.28	4.37	4.51	4.66	4.55	4.65	4.80	4.95	4.78	4.89	5.05	5.22	4.98	5.09	5.26	5.44	5.16	5.27	5.45	5.63											
		AMPS	14.8	15.2	15.7	16.3	16.1	16.5	17.0	17.7	17.5	18.0	18.6	19.3	18.8	19.2	19.9	20.7	20.0	20.5	21.2	22.1	21.3	21.8	22.6	23.4											
		HIPR	233	251	265	276	262	282	297	310	298	320	338	353	339	365	385	402	381	410	433	452	421	453	479	499											
		LO PR	102	108	118	126	108	115	125	133	112	119	130	139	118	125	137	146	123	131	143	152	128	136	148	158											
	1700	MBh	56.8	58.5	63.3	67.9	55.5	57.1	61.8	66.4	54.2	55.8	60.4	64.8	52.8	54.4	58.9	63.2	50.2	51.7	55.9	60.0	46.5	47.9	51.8	55.6											
		S/T	0.80	0.71	0.54	0.35	0.83	0.74	0.56	0.36	0.85	0.76	0.57	0.37	0.88	0.78	0.59	0.38	0.91	0.81	0.62	0.40	0.92	0.82	0.62	0.40											
		Delta T	22	20	16	11	22	20	17	12	22	20	17	12	22	21	17	12	22	20	17	11	21	19	15	11											
		KW	4.01	4.09	4.22	4.36	4.31	4.41	4.55	4.69	4.58	4.68	4.84	4.99	4.82	4.93	5.09	5.26	5.03	5.14	5.31	5.48	5.20	5.32	5.49	5.68											
		AMPS	15.0	15.3	15.9	16.5	16.2	16.6	17.2	17.9	17.7	18.1	18.8	19.5	18.9	19.4	20.1	20.9	20.2	20.7	21.4	22.3	21.5	22.0	22.8	23.7											
1913	HIPR	235	253	268	279	264	284	300	313	301	323	342	356	342	368	389	406	385	414	438	456	425	458	483	504												
	LO PR	103	110	120	127	109	116	126	135	113	120	131	140	119	126	138	147	125	132	145	154	129	137	150	159												

NOTE: Shaded area is ACCA (TVA) conditions

* Entering Indoor Dry Bulb Temperature

COOLING PERFORMANCE DATA

GSX130601A*

EXPANDED PERFORMANCE DATA

COOLING OPERATION

MODEL: GSX130601AA / CA*F4860*6**/ ZP51K5E-PFV

IDB*	Airflow	Outdoor Ambient Temperature																													
		65					75					85					95					105					115				
		59	63	67	71	75	59	63	67	71	75	59	63	67	71	75	59	63	67	71	75	59	63	67	71	75	59	63	67	71	75
80	1488	MBh	51.8	52.9	56.6	60.5	50.6	51.7	55.2	59.1	49.4	50.5	53.9	57.6	48.2	49.2	52.6	56.2	45.8	46.8	50.0	53.4	42.4	43.3	46.3	49.5					
		S/T	0.81	0.76	0.62	0.46	0.84	0.78	0.64	0.48	0.86	0.80	0.65	0.49	0.88	0.83	0.67	0.50	0.92	0.86	0.70	0.52	0.93	0.87	0.71	0.53					
		Delta T	26	25	22	17	26	25	22	17	26	25	22	17	26	25	22	18	26	25	22	17	24	23	20	16					
		KW	3.91	4.00	4.12	4.25	4.21	4.30	4.44	4.58	4.47	4.57	4.72	4.87	4.70	4.81	4.96	5.13	4.90	5.01	5.17	5.35	5.07	5.18	5.35	5.53					
		AMPS	14.5	14.9	15.4	16.0	15.8	16.2	16.7	17.4	17.2	17.6	18.2	18.9	18.4	18.9	19.5	20.3	19.6	20.1	20.8	21.6	20.8	21.4	22.1	23.0					
		HIPR	228	246	260	271	256	276	291	304	292	314	331	346	332	357	377	394	374	402	424	443	413	444	469	489					
		LO PR	100	106	116	124	106	112	123	131	110	117	127	136	115	123	134	143	121	129	140	149	125	133	145	155					
		MBh	56.1	57.4	61.3	65.5	54.8	56.0	59.9	64.0	53.5	54.7	58.4	62.5	52.2	53.4	57.0	60.9	49.6	50.7	54.2	57.9	45.9	46.9	50.2	53.6					
		S/T	0.84	0.78	0.64	0.48	0.87	0.81	0.66	0.49	0.89	0.83	0.68	0.51	0.92	0.86	0.70	0.52	0.95	0.89	0.73	0.54	0.96	0.90	0.73	0.55					
		Delta T	25	24	21	17	26	25	21	17	26	25	21	17	26	25	22	17	26	24	21	17	24	23	20	16					
80	1700	MBh	40.1	4.09	4.22	4.36	4.31	4.41	4.55	4.70	4.58	4.68	4.84	5.00	4.82	4.93	5.09	5.26	5.03	5.14	5.31	5.48	5.20	5.32	5.49	5.68					
		AMPS	15.0	15.3	15.9	16.5	16.2	16.6	17.2	17.9	17.7	18.1	18.8	19.5	18.9	19.4	20.1	20.9	20.2	20.7	21.4	22.3	21.5	22.0	22.8	23.7					
		HIPR	236	253	268	279	264	284	300	313	301	323	342	356	342	368	389	406	385	414	438	456	426	458	484	504					
		LO PR	103	110	120	127	109	116	126	135	113	120	131	140	119	126	138	147	125	132	145	154	129	137	150	159					
		MBh	57.8	59.1	63.1	67.5	56.5	57.7	61.6	65.9	55.1	56.3	60.2	64.3	53.8	55.0	58.7	62.8	51.1	52.2	55.8	59.6	47.3	48.4	51.7	55.2					
		S/T	0.88	0.82	0.67	0.50	0.91	0.85	0.69	0.52	0.93	0.87	0.71	0.53	0.96	0.90	0.73	0.55	1.00	0.94	0.76	0.57	1.00	0.94	0.77	0.57					
		Delta T	24	23	20	16	25	24	21	16	25	24	21	16	25	24	21	17	25	23	20	16	23	22	19	15					
		KW	4.04	4.13	4.25	4.39	4.35	4.44	4.58	4.73	4.62	4.72	4.88	5.04	4.86	4.97	5.13	5.30	5.07	5.18	5.35	5.53	5.24	5.36	5.54	5.73					
		AMPS	15.1	15.5	16.0	16.6	16.4	16.8	17.4	18.0	17.9	18.3	18.9	19.7	19.1	19.6	20.3	21.1	20.4	20.9	21.6	22.5	21.7	22.2	23.0	23.9					
		HIPR	238	256	270	282	267	287	303	316	304	327	345	360	346	372	393	410	389	419	442	461	430	462	488	509					
LO PR	104	111	121	129	110	117	128	136	114	122	133	141	120	128	139	148	126	134	146	156	130	138	151	161							

85	1488	MBh	52.7	53.7	56.3	60.0	51.5	52.5	55.0	58.6	50.3	51.2	53.7	57.2	49.0	50.0	52.3	55.8	46.6	47.5	49.7	53.1	43.1	44.0	46.1	49.1
		S/T	0.85	0.82	0.74	0.60	0.88	0.85	0.76	0.62	0.90	0.87	0.78	0.63	0.93	0.89	0.81	0.65	0.96	0.93	0.84	0.68	0.97	0.94	0.84	0.69
		Delta T	28	27	26	22	28	27	26	22	28	27	26	22	28	28	26	23	28	27	26	22	26	25	24	21
		KW	3.94	4.03	4.15	4.28	4.24	4.33	4.47	4.62	4.51	4.61	4.75	4.91	4.74	4.85	5.00	5.17	4.94	5.05	5.22	5.39	5.11	5.23	5.40	5.58
		AMPS	14.7	15.0	15.6	16.2	15.9	16.3	16.9	17.5	17.3	17.8	18.4	19.1	18.6	19.1	19.7	20.5	19.8	20.3	21.0	21.9	21.0	21.6	22.3	23.2
		HIPR	231	248	262	273	259	279	294	307	294	317	335	349	335	361	381	397	377	406	429	447	417	449	474	494
		LO PR	101	107	117	125	107	113	124	132	111	118	129	137	116	124	135	144	122	130	142	151	126	134	147	156
		MBh	57.1	58.2	61.0	65.0	55.8	56.9	59.6	63.5	54.5	55.5	58.1	62.0	53.1	54.2	56.7	60.5	50.5	51.4	53.9	57.5	46.7	47.7	49.9	53.2
		S/T	0.88	0.85	0.76	0.62	0.91	0.88	0.79	0.64	0.93	0.90	0.81	0.66	0.96	0.93	0.84	0.68	1.00	0.96	0.87	0.70	1.00	0.97	0.88	0.71
		Delta T	27	27	25	22	27	27	25	22	27	27	25	22	28	27	26	22	27	27	25	22	25	25	24	20
85	1700	KW	4.04	4.13	4.25	4.39	4.35	4.44	4.58	4.73	4.62	4.72	4.88	5.04	4.86	4.97	5.13	5.30	5.07	5.18	5.35	5.53	5.24	5.36	5.54	5.73
		AMPS	15.1	15.5	16.0	16.6	16.4	16.8	17.4	18.0	17.9	18.3	18.9	19.7	19.1	19.6	20.3	21.1	20.4	20.9	21.6	22.5	21.7	22.2	23.0	23.9
		HIPR	238	256	270	282	267	287	303	316	304	327	345	360	346	372	393	410	389	419	442	461	430	462	488	509
		LO PR	104	111	121	129	110	117	128	136	114	122	133	141	120	128	139	148	126	134	146	156	130	138	151	161
		MBh	58.8	60.0	62.8	67.0	57.5	58.6	61.3	65.4	56.1	57.2	59.9	63.9	54.7	55.8	58.4	62.3	52.0	53.0	55.5	59.2	48.2	49.1	51.4	54.8
		S/T	0.92	0.89	0.80	0.65	0.95	0.92	0.83	0.67	0.98	0.94	0.85	0.69	1.00	0.97	0.88	0.71	1.00	1.00	0.91	0.74	1.00	1.00	0.92	0.75
		Delta T	26	26	24	21	26	26	24	21	26	26	24	21	26	26	25	21	25	25	24	21	23	23	24	20
		KW	4.07	4.16	4.29	4.43	4.38	4.48	4.62	4.77	4.66	4.76	4.92	5.08	4.90	5.01	5.18	5.35	5.11	5.22	5.40	5.58	5.29	5.41	5.59	5.78
		AMPS	15.2	15.6	16.2	16.8	16.5	16.9	17.5	18.2	18.0	18.5	19.1	19.9	19.3	19.8	20.5	21.3	20.6	21.1	21.9	22.7	21.9	22.4	23.2	24.1
		HIPR	240	259	273	285	270	290	306	320	307	330	348	363	349	376	397	414	393	423	446	466	434	467	493	514
LO PR	105	112	122	130	111	118	129	137	115	123	134	143	121	129	141	150	127	135	148	157	131	140	153	163		

* Entering Indoor Dry Bulb Temperature

NOTE: Shaded area is AHRI Rating Conditions

COOLING PERFORMANCE DATA

GSX130611A*

EXPANDED PERFORMANCE DATA

COOLING OPERATION

MODEL: GSX130611/CA *F4961*6D*+EEP

IDB* Airflow	Outdoor Ambient Temperature																
	65				75				85				95				
	59	63	67	71	59	63	67	71	59	63	67	71	59	63	67	71	
1500	MBH	53.8	55.7	61.0	-	52.5	54.4	59.6	-	51.3	53.1	58.2	-	50.0	51.8	56.8	-
	S/T	0.66	0.55	0.38	-	0.68	0.57	0.39	-	0.70	0.58	0.40	-	0.72	0.60	0.42	-
	Delta T	22	19	14	-	22	19	14	-	22	19	14	-	22	19	14	-
	System KW	3.97	4.05	4.18	-	4.27	4.37	4.51	-	4.54	4.64	4.80	-	4.78	4.89	5.05	-
	OD amps	15.4	15.8	16.3	-	16.7	17.1	17.6	-	18.1	18.6	19.2	-	19.4	19.9	20.6	-
	HI PR	228	245	259	-	256	275	291	-	291	313	331	-	331	357	377	-
	LO PR	98	104	114	-	103	110	120	-	107	114	125	-	113	120	131	-
	MBH	55.4	57.4	62.9	-	54.1	56.1	61.4	-	52.8	54.7	59.9	-	51.5	53.4	58.5	-
	S/T	0.69	0.57	0.40	-	0.71	0.60	0.41	-	0.73	0.61	0.42	-	0.75	0.63	0.44	-
	Delta T	20	17	13	-	20	18	13	-	20	18	13	-	20	18	13	-
1750	System KW	4.00	4.09	4.21	-	4.31	4.40	4.54	-	4.58	4.68	4.84	-	4.82	4.93	5.09	-
	OD amps	15.5	15.9	16.4	-	16.8	17.2	17.8	-	18.3	18.8	19.4	-	19.6	20.1	20.8	-
	HI PR	230	248	262	-	258	278	294	-	294	316	334	-	335	360	380	-
	LO PR	99	105	115	-	104	111	121	-	108	115	126	-	114	121	132	-
	MBH	55.6	57.7	63.2	-	54.3	56.3	61.7	-	53.0	55.0	60.2	-	51.8	53.6	58.8	-
	S/T	0.70	0.58	0.40	-	0.72	0.60	0.42	-	0.74	0.62	0.43	-	0.77	0.64	0.44	-
	Delta T	18	15	12	-	18	16	12	-	18	16	12	-	18	16	12	-
	System KW	4.03	4.12	4.25	-	4.34	4.44	4.58	-	4.62	4.72	4.88	-	4.86	4.97	5.13	-
	OD amps	15.7	16.0	16.6	-	17.0	17.4	18.0	-	18.5	18.9	19.6	-	19.8	20.3	21.0	-
	HI PR	233	250	264	-	261	281	297	-	297	319	337	-	338	364	384	-
LO PR	100	106	116	-	105	112	122	-	110	117	127	-	115	122	134	-	
2000	MBH	54.7	56.3	60.9	65.4	53.4	55.0	59.5	63.9	52.1	53.7	58.1	62.3	50.9	52.4	56.7	60.8
	S/T	0.75	0.67	0.50	0.32	0.77	0.69	0.52	0.34	0.79	0.71	0.54	0.35	0.82	0.73	0.55	0.36
	Delta T	25	23	19	13	25	23	19	13	25	23	19	13	26	23	19	13
	System KW	4.00	4.09	4.22	4.35	4.31	4.40	4.55	4.69	4.58	4.68	4.84	5.00	4.82	4.93	5.09	5.26
	OD amps	15.5	15.9	16.4	17.1	16.8	17.2	17.8	18.5	18.3	18.8	19.4	20.2	19.6	20.1	20.8	21.6
	HI PR	230	248	262	273	258	278	294	306	294	316	334	348	335	360	380	397
	LO PR	99	105	115	122	104	111	121	129	108	115	126	134	114	121	132	141
	MBH	56.3	58.0	62.7	67.3	55.0	56.6	61.3	65.8	53.7	55.3	59.8	64.2	52.4	53.9	58.4	62.6
	S/T	0.78	0.70	0.53	0.34	0.81	0.72	0.55	0.35	0.83	0.74	0.56	0.36	0.86	0.77	0.58	0.37
	Delta T	23	21	17	12	23	22	18	12	23	22	18	12	24	22	18	12
1500	System KW	4.03	4.12	4.25	4.39	4.34	4.44	4.58	4.73	4.62	4.72	4.88	5.04	4.86	4.97	5.14	5.31
	OD amps	15.7	16.1	16.6	17.2	17.0	17.4	18.0	18.7	18.5	18.9	19.6	20.3	19.8	20.3	21.0	21.8
	HI PR	233	250	264	276	261	281	297	309	297	320	337	352	338	364	384	401
	LO PR	100	106	116	123	105	112	122	130	110	117	127	136	115	122	134	142
	MBH	56.6	58.3	63.1	67.7	55.3	56.9	61.6	66.1	53.9	55.5	60.1	64.5	52.6	54.2	58.7	63.0
	S/T	0.79	0.71	0.54	0.35	0.82	0.73	0.56	0.36	0.84	0.75	0.57	0.37	0.87	0.78	0.59	0.38
	Delta T	21	19	16	11	21	19	16	11	21	19	16	11	21	19	16	11
	System KW	4.06	4.15	4.28	4.42	4.38	4.48	4.62	4.77	4.66	4.76	4.92	5.08	4.90	5.01	5.18	5.35
	OD amps	15.8	16.2	16.7	17.4	17.1	17.6	18.1	18.8	18.7	19.1	19.8	20.5	20.0	20.5	21.2	22.0
	HI PR	235	253	267	278	264	284	300	312	300	323	341	355	341	367	388	405
LO PR	101	107	117	125	106	113	124	132	111	118	129	137	116	124	135	144	

IDB* Airflow	Outdoor Ambient Temperature																
	65				75				85				95				
	59	63	67	71	59	63	67	71	59	63	67	71	59	63	67	71	
1500	MBH	54.7	56.3	60.9	65.4	53.4	55.0	59.5	63.9	52.1	53.7	58.1	62.3	50.9	52.4	56.7	60.8
	S/T	0.75	0.67	0.50	0.32	0.77	0.69	0.52	0.34	0.79	0.71	0.54	0.35	0.82	0.73	0.55	0.36
	Delta T	25	23	19	13	25	23	19	13	25	23	19	13	26	23	19	13
	System KW	4.00	4.09	4.22	4.35	4.31	4.40	4.55	4.69	4.58	4.68	4.84	5.00	4.82	4.93	5.09	5.26
	OD amps	15.5	15.9	16.4	17.1	16.8	17.2	17.8	18.5	18.3	18.8	19.4	20.2	19.6	20.1	20.8	21.6
	HI PR	230	248	262	273	258	278	294	306	294	316	334	348	335	360	380	397
	LO PR	99	105	115	122	104	111	121	129	108	115	126	134	114	121	132	141
	MBH	56.3	58.0	62.7	67.3	55.0	56.6	61.3	65.8	53.7	55.3	59.8	64.2	52.4	53.9	58.4	62.6
	S/T	0.78	0.70	0.53	0.34	0.81	0.72	0.55	0.35	0.83	0.74	0.56	0.36	0.86	0.77	0.58	0.37
	Delta T	23	21	17	12	23	22	18	12	23	22	18	12	24	22	18	12
1750	System KW	4.03	4.12	4.25	4.39	4.34	4.44	4.58	4.73	4.62	4.72	4.88	5.04	4.86	4.97	5.14	5.31
	OD amps	15.7	16.1	16.6	17.2	17.0	17.4	18.0	18.7	18.5	18.9	19.6	20.3	19.8	20.3	21.0	21.8
	HI PR	233	250	264	276	261	281	297	309	297	320	337	352	338	364	384	401
	LO PR	100	106	116	123	105	112	122	130	110	117	127	136	115	122	134	142
	MBH	56.6	58.3	63.1	67.7	55.3	56.9	61.6	66.1	53.9	55.5	60.1	64.5	52.6	54.2	58.7	63.0
	S/T	0.79	0.71	0.54	0.35	0.82	0.73	0.56	0.36	0.84	0.75	0.57	0.37	0.87	0.78	0.59	0.38
	Delta T	21	19	16	11	21	19	16	11	21	19	16	11	21	19	16	11
	System KW	4.06	4.15	4.28	4.42	4.38	4.48	4.62	4.77	4.66	4.76	4.92	5.08	4.90	5.01	5.18	5.35
	OD amps	15.8	16.2	16.7	17.4	17.1	17.6	18.1	18.8	18.7	19.1	19.8	20.5	20.0	20.5	21.2	22.0
	HI PR	235	253	267	278	264	284	300	312	300	323	341	355	341	367	388	405
LO PR	101	107	117	125	106	113	124	132	111	118	129	137	116	124	135	144	

* Entering Indoor Dry Bulb Temperature
High and low pressures are measured at the liquid and suction service valves.

NOTE: Shaded area is ACCA (TVA) conditions
AMP/Total system power

AMP=S-outdoor unit amps (comp.-fan)
KW= Total system power

COOLING PERFORMANCE DATA

GSX130611A*

EXPANDED PERFORMANCE DATA

COOLING OPERATION

MODEL: GSX130611/CA *F4961*6D*+EEP

IDB*	Airflow	Outdoor Ambient Temperature																								
		65				75				85				95				105				115				
		59	63	67	71	59	63	67	71	59	63	67	71	59	63	67	71	59	63	67	71	59	63	67	71	
80	1500	MBH	55.6	56.9	60.7	64.9	54.3	55.5	59.3	63.4	53.0	54.2	57.9	61.9	51.8	52.9	56.5	60.4	49.2	50.2	53.7	57.4	45.5	46.5	49.7	53.2
		ΔT	0.82	0.77	0.62	0.47	0.85	0.80	0.65	0.48	0.87	0.82	0.66	0.50	0.90	0.84	0.69	0.51	0.93	0.87	0.71	0.53	0.94	0.88	0.72	0.54
		Delta T	28	27	23	19	28	27	24	19	28	27	24	19	28	27	24	19	28	27	23	19	26	25	22	17
		System KW	4.03	4.12	4.25	4.39	4.35	4.44	4.58	4.73	4.62	4.72	4.88	5.04	4.86	4.97	5.14	5.31	5.07	5.18	5.36	5.54	5.25	5.37	5.55	5.74
		OD amps	15.7	16.1	16.6	17.2	17.0	17.4	18.0	18.7	18.5	18.9	19.6	20.3	19.8	20.3	21.0	21.8	21.1	21.6	22.4	23.2	22.4	22.9	23.7	24.7
		HI PR	233	250	264	276	261	281	297	309	297	327	352	364	364	384	401	418	380	409	432	451	420	452	478	498
		LO PR	100	106	116	123	105	112	122	130	110	117	127	136	115	122	134	142	121	128	140	149	125	133	145	154
		MBH	57.3	58.6	62.6	66.9	56.0	57.2	61.1	65.3	54.6	55.8	59.6	63.8	53.3	54.5	58.2	62.2	50.6	51.7	55.3	59.1	46.9	47.9	51.2	54.7
		ΔT	0.86	0.80	0.65	0.49	0.89	0.83	0.68	0.51	0.91	0.85	0.70	0.52	0.94	0.88	0.72	0.54	1.00	0.92	0.75	0.56	1.00	0.92	0.75	0.56
		Delta T	26	25	22	17	26	25	22	17	26	25	22	17	26	25	22	18	27	25	22	17	25	23	20	16
System KW	4.07	4.15	4.28	4.42	4.38	4.48	4.62	4.77	4.66	4.76	4.92	5.08	4.90	5.01	5.18	5.35	5.11	5.23	5.40	5.59	5.29	5.41	5.59	5.79		
OD amps	15.8	16.2	16.7	17.4	17.1	17.6	18.2	18.9	18.7	19.1	19.8	20.5	20.0	20.5	21.2	22.0	21.3	21.8	22.6	23.5	22.6	23.2	24.0	24.9		
HI PR	235	253	267	279	264	284	300	313	300	323	341	355	342	368	388	405	384	414	437	455	425	457	482	503		
LO PR	101	107	117	125	107	113	124	132	111	118	129	137	116	124	135	144	122	130	142	151	126	134	146	156		
MBH	57.6	58.8	62.9	67.2	56.2	57.5	61.4	65.6	54.9	56.1	59.9	64.1	53.6	54.7	58.5	62.5	50.9	52.0	55.6	59.4	47.1	48.2	51.5	55.0		
ΔT	0.87	0.82	0.66	0.50	0.90	0.85	0.69	0.51	0.92	0.87	0.71	0.53	0.95	0.89	0.73	0.54	1.00	0.93	0.76	0.56	1.00	0.94	0.76	0.57		
Delta T	23	22	19	15	23	22	19	16	23	22	19	16	23	23	20	16	23	22	19	15	22	21	18	14		
System KW	4.10	4.19	4.32	4.46	4.42	4.51	4.66	4.81	4.70	4.80	4.96	5.12	4.94	5.06	5.22	5.40	5.16	5.27	5.45	5.63	5.34	5.46	5.64	5.84		
OD amps	16.0	16.4	16.9	17.6	17.3	17.7	18.3	19.0	18.8	19.3	20.0	20.7	20.2	20.7	21.4	22.2	21.5	22.0	22.8	23.7	22.8	23.4	24.2	25.1		
HI PR	237	255	270	281	266	287	303	316	303	326	344	359	345	371	392	409	388	418	441	460	429	461	487	508		
LO PR	102	108	118	126	108	114	125	133	112	119	130	138	117	125	136	145	123	131	143	152	127	135	148	157		

85	1500	MBH	56.6	57.7	60.4	64.5	55.3	56.4	59.0	63.0	54.0	55.0	57.6	61.5	52.7	53.7	56.2	60.0	50.0	51.0	53.4	57.0	46.3	47.2	49.5	52.8
		ΔT	0.86	0.83	0.75	0.61	0.89	0.86	0.77	0.63	0.91	0.88	0.79	0.64	0.94	0.91	0.82	0.66	0.98	0.94	0.85	0.69	0.98	0.95	0.86	0.70
		Delta T	30	29	28	24	30	30	28	24	30	30	28	24	30	30	28	24	30	29	28	24	28	28	26	23
		System KW	4.07	4.15	4.28	4.42	4.38	4.48	4.62	4.77	4.66	4.76	4.92	5.08	4.90	5.01	5.18	5.35	5.11	5.23	5.40	5.59	5.29	5.41	5.59	5.79
		OD amps	15.8	16.2	16.7	17.4	17.1	17.6	18.2	18.9	18.7	19.1	19.8	20.5	20.0	20.5	21.2	22.0	21.3	21.8	22.6	23.5	22.6	23.2	24.0	24.9
		HI PR	235	253	267	279	264	284	300	313	300	323	341	355	342	368	388	405	384	414	437	455	425	457	482	503
		LO PR	101	107	117	125	107	113	124	132	111	118	129	137	116	124	135	144	122	130	142	151	126	134	146	156
		MBH	58.3	59.4	62.2	66.4	56.9	58.1	60.8	64.9	55.6	56.7	59.4	63.3	54.2	55.3	57.9	61.8	51.5	52.5	55.0	58.7	47.7	48.7	51.0	54.4
		ΔT	0.90	0.87	0.78	0.64	0.93	0.90	0.81	0.66	0.96	0.92	0.83	0.68	0.99	0.95	0.86	0.70	1.00	0.99	0.89	0.72	1.00	1.00	0.90	0.73
		Delta T	28	27	26	22	28	27	26	22	28	27	26	22	28	28	26	23	27	27	26	22	25	25	24	21
System KW	4.10	4.19	4.32	4.46	4.42	4.51	4.66	4.81	4.70	4.80	4.96	5.12	4.95	5.06	5.22	5.40	5.16	5.27	5.45	5.63	5.34	5.46	5.64	5.84		
OD amps	16.0	16.4	16.9	17.6	17.3	17.7	18.3	19.0	18.8	19.3	20.0	20.7	20.2	20.7	21.4	22.2	21.5	22.0	22.8	23.7	22.8	23.4	24.2	25.1		
HI PR	237	255	270	281	266	287	303	316	303	326	344	359	345	371	392	409	388	418	441	460	429	461	487	508		
LO PR	102	108	118	126	108	114	125	133	112	119	130	138	117	125	136	145	123	131	143	152	127	135	148	157		
MBH	58.6	59.7	62.5	66.7	57.2	58.3	61.1	65.2	55.9	56.9	59.6	63.6	54.5	55.6	58.2	62.1	51.8	52.8	55.3	59.0	48.0	48.9	51.2	54.6		
ΔT	0.91	0.88	0.79	0.64	0.94	0.91	0.82	0.67	0.97	0.93	0.84	0.68	1.00	0.96	0.87	0.71	1.00	1.00	0.90	0.73	1.00	1.00	0.91	0.74		
Delta T	25	24	23	20	25	24	23	20	25	24	23	20	25	25	23	20	24	24	23	20	22	22	21	19		
System KW	4.13	4.22	4.35	4.50	4.45	4.55	4.70	4.85	4.74	4.84	5.00	5.17	4.99	5.10	5.27	5.45	5.20	5.32	5.49	5.68	5.38	5.50	5.69	5.89		
OD amps	16.1	16.5	17.1	17.7	17.5	17.9	18.5	19.2	19.0	19.5	20.1	20.9	20.4	20.9	21.6	22.4	21.7	22.2	23.0	23.9	23.0	23.6	24.4	25.4		
HI PR	240	258	272	284	269	289	306	319	306	329	348	363	348	375	396	413	392	422	445	465	433	466	492	513		
LO PR	103	109	119	127	109	116	126	134	113	120	131	140	119	126	138	147	124	132	144	154	129	137	149	159		

* Entering Indoor Dry Bulb Temperature
High and low pressures are measured at the liquid and suction service valves.

NOTE: Shaded area is AHRI Rating Conditions

AMP S=outdoor unit amps (comp.+fan)
KW= Total system power

COOLING PERFORMANCE DATA

GSX130181B*

IDB*	Airflow	Outdoor Ambient Temperature																																			
		65						75						85						95						105						115					
		59	63	67	71	75	79	59	63	67	71	75	79	59	63	67	71	75	79	59	63	67	71	75	79	59	63	67	71	75	79						
70	525	MBh	15.8	16.4	17.9	-	15.4	16.0	17.5	-	15.1	15.6	17.1	-	14.7	15.2	16.7	-	14.0	14.5	15.9	-	12.9	13.4	14.7	-											
		S/T	0.67	0.56	0.39	-	0.69	0.58	0.40	-	0.71	0.59	0.41	-	0.73	0.61	0.42	-	0.76	0.63	0.44	-	0.77	0.64	0.44	-											
		Delta T	18	16	12	-	19	16	12	-	19	16	12	-	19	16	12	-	19	16	12	-	17	15	11	-											
		KW	1.27	1.30	1.34	-	1.36	1.39	1.43	-	1.44	1.47	1.51	-	1.51	1.54	1.59	-	1.57	1.60	1.65	-	1.62	1.65	1.71	-											
		AMPS	4.6	4.7	4.8	-	4.9	5.0	5.2	-	5.3	5.5	5.6	-	5.7	5.8	6.0	-	6.0	6.2	6.4	-	6.4	6.6	6.8	-											
	600	HIPR	203	218	230	-	228	245	259	-	259	279	294	-	295	317	335	-	332	357	377	-	366	394	416	-											
		LO PR	103	109	119	-	109	116	126	-	113	120	131	-	119	126	138	-	124	132	144	-	129	137	149	-											
		MBh	17.1	17.7	19.4	-	16.7	17.3	19.0	-	16.3	16.9	18.5	-	15.9	16.5	18.1	-	15.1	15.7	17.2	-	14.0	14.5	15.9	-											
		S/T	0.69	0.58	0.40	-	0.72	0.60	0.41	-	0.74	0.61	0.43	-	0.76	0.63	0.44	-	0.79	0.66	0.46	-	0.79	0.66	0.46	-											
		Delta T	18	16	12	-	18	16	12	-	18	16	12	-	19	16	12	-	18	16	12	-	17	15	11	-											
675	KW	1.30	1.33	1.37	-	1.39	1.42	1.46	-	1.48	1.51	1.55	-	1.55	1.58	1.63	-	1.61	1.64	1.69	-	1.66	1.70	1.75	-												
	AMPS	4.7	4.8	5.0	-	5.1	5.2	5.3	-	5.5	5.6	5.8	-	5.9	6.0	6.2	-	6.2	6.4	6.6	-	6.6	6.7	7.0	-												
	HIPR	209	225	238	-	235	252	267	-	267	287	303	-	304	327	345	-	342	368	389	-	378	407	429	-												
	LO PR	106	113	123	-	112	119	130	-	116	124	135	-	122	130	142	-	128	136	149	-	133	141	154	-												
	MBh	17.6	18.3	20.0	-	17.2	17.9	19.6	-	16.8	17.4	19.1	-	16.4	17.0	18.6	-	15.6	16.2	17.7	-	14.4	15.0	16.4	-												
75	525	S/T	0.73	0.61	0.42	-	0.75	0.63	0.43	-	0.77	0.64	0.45	-	0.80	0.66	0.46	-	0.83	0.69	0.48	-	0.83	0.70	0.48	-											
		Delta T	17	15	11	-	18	15	12	-	18	15	12	-	18	15	12	-	18	15	12	-	16	14	11	-											
		KW	1.31	1.34	1.38	-	1.40	1.43	1.48	-	1.49	1.52	1.56	-	1.56	1.59	1.64	-	1.62	1.65	1.71	-	1.67	1.71	1.76	-											
		AMPS	4.7	4.8	5.0	-	5.1	5.2	5.4	-	5.5	5.7	5.8	-	5.9	6.0	6.2	-	6.3	6.4	6.6	-	6.6	6.8	7.0	-											
		HIPR	211	227	240	-	237	255	269	-	270	290	306	-	307	330	349	-	345	372	392	-	382	411	434	-											
	600	LO PR	107	114	124	-	113	120	131	-	118	125	137	-	123	131	143	-	129	138	150	-	134	142	155	-											
		MBh	16.1	16.5	17.9	19.2	15.7	16.2	17.5	18.8	15.3	15.8	17.1	18.3	15.0	15.4	16.7	17.9	14.2	14.6	15.8	17.0	13.2	13.5	14.7	15.7											
		S/T	0.76	0.68	0.51	0.33	0.79	0.70	0.53	0.34	0.81	0.72	0.55	0.35	0.83	0.74	0.56	0.36	0.86	0.77	0.58	0.38	0.87	0.78	0.59	0.38											
		Delta T	21	20	16	11	22	20	16	11	22	20	16	11	22	20	16	11	21	20	16	11	20	18	15	10											
		KW	1.28	1.31	1.35	1.39	1.37	1.40	1.44	1.49	1.45	1.48	1.53	1.57	1.52	1.55	1.60	1.65	1.58	1.62	1.67	1.72	1.63	1.67	1.72	1.77											
675	AMPS	4.6	4.7	4.9	5.0	5.0	5.1	5.2	5.4	5.4	5.5	5.7	5.9	5.7	5.9	6.1	6.3	6.1	6.3	6.5	6.7	6.5	6.6	6.8	7.1												
	HIPR	205	220	233	243	230	247	261	272	261	281	297	310	298	320	338	353	335	361	381	397	370	398	421	439												
	LO PR	104	111	121	128	110	117	127	136	114	121	132	141	120	127	139	148	126	134	146	155	130	138	151	161												
	MBh	17.4	17.9	19.4	20.8	17.0	17.5	19.0	20.3	16.6	17.1	18.5	19.9	16.2	16.7	18.1	19.4	15.4	15.8	17.2	18.4	14.3	14.7	15.9	17.1												
	S/T	0.79	0.70	0.53	0.34	0.81	0.73	0.55	0.35	0.84	0.75	0.57	0.36	0.86	0.77	0.58	0.38	0.90	0.80	0.61	0.39	0.90	0.81	0.61	0.39												
75	525	Delta T	21	19	16	11	21	20	16	11	21	20	16	11	21	20	16	11	21	19	16	11	20	18	15	10											
		KW	1.31	1.34	1.38	1.42	1.40	1.43	1.48	1.52	1.49	1.52	1.56	1.61	1.56	1.59	1.64	1.69	1.62	1.65	1.71	1.76	1.67	1.71	1.76	1.82											
		AMPS	4.7	4.8	5.0	5.2	5.1	5.2	5.4	5.6	5.5	5.7	5.8	6.1	5.9	6.0	6.2	6.5	6.3	6.4	6.6	6.9	6.6	6.8	7.0	7.3											
		HIPR	211	227	240	250	237	255	269	281	270	290	306	319	307	330	349	364	345	372	392	409	382	411	434	452											
		LO PR	107	114	124	132	113	120	131	140	118	125	137	145	124	131	143	153	129	138	150	160	134	142	156	166											
	600	MBh	17.9	18.5	20.0	21.5	17.5	18.0	19.5	21.0	17.1	17.6	19.1	20.5	16.7	17.2	18.6	20.0	15.9	16.3	17.7	19.0	14.7	15.1	16.4	17.6											
		S/T	0.82	0.74	0.56	0.36	0.85	0.76	0.58	0.37	0.88	0.78	0.59	0.38	0.90	0.81	0.61	0.39	0.94	0.84	0.64	0.41	0.95	0.85	0.64	0.41											
		Delta T	20	19	15	10	20	19	15	11	20	19	15	11	21	19	16	11	20	19	15	11	19	17	14	10											
		KW	1.32	1.35	1.39	1.43	1.42	1.44	1.49	1.53	1.50	1.53	1.57	1.62	1.57	1.60	1.65	1.70	1.63	1.67	1.72	1.77	1.69	1.72	1.78	1.83											
		AMPS	4.8	4.9	5.0	5.2	5.1	5.3	5.4	5.6	5.6	5.7	5.9	6.1	6.0	6.1	6.3	6.5	6.3	6.5	6.7	6.9	6.7	6.9	7.1	7.4											
675	HIPR	213	230	242	253	239	258	272	284	272	293	309	323	310	334	352	368	349	375	396	413	385	415	438	457												
	LO PR	108	115	126	134	114	122	133	141	119	126	138	147	125	133	145	154	131	139	152	162	135	144	157	167												

IDB*	Airflow	Outdoor Ambient Temperature																																			
		65						75						85						95						105						115					
		59	63	67	71	75	79	59	63	67	71	75	79	59	63	67	71	75	79	59	63	67	71	75	79	59	63	67	71	75	79						
70	525	MBh	15.8	16.4	17.9	-	15.4	16.0	17.5	-	15.1	15.6	17.1	-	14.7	15.2	16.7	-	14.0	14.5	15.9	-	12.9	13.4	14.7	-											
		S/T	0.67	0.56	0.39	-	0.69	0.58	0.40	-	0.71	0.59	0.41	-	0.73	0.61	0.42	-	0.76	0.63	0.44	-	0.77	0.64	0.44	-											
		Delta T	18	16	12	-	19	16	12	-	19	16	12	-	19	16	12	-	19	16	12	-	17	15	11	-											
		KW	1.27	1.30	1.34	-	1.36	1.39	1.43	-	1.44	1.47	1.51	-	1.51	1.54	1.59	-	1.57	1.60	1.65	-	1.62	1.65	1.71	-											
		AMPS	4.6	4.7	4.8	-	4.9	5.0	5.2	-	5.3	5.5	5.6	-	5.7	5.8	6.0	-	6.0	6.2	6.4	-	6.4	6.6	6.8	-											
	600	HIPR	203	218	230	-	228	245	259	-	259	279	294	-	295	317	335	-	332	357	377	-	366	394	416	-											
		LO PR	103	109	119	-	109	116	126	-	113	120	131	-	119	126	138	-	124	132	144	-	129	137	149	-											
		MBh	17.1	17.7	19.4	-	16.7	17.3	19.0	-	16.3	16.9	18.5	-	15.9	16.5	18.1	-	15.1	15.7	17.2	-	14.0	14.5	15.9	-											
		S/T	0.69	0.58	0.40	-	0.72	0.60	0.41	-	0.74	0.61	0.43	-	0.76	0.63	0.44	-	0.79	0.66	0.46	-	0.79	0.66	0.46	-											
		Delta T	18	16	12	-	18	16	12	-	18	16	12	-	19	16	12	-	18	16	12	-	17	15	11	-											
675	KW	1.30	1.33	1.37	-	1.39	1.42	1.46	-	1.48	1.51	1.55	-	1.55	1.58	1.63	-	1.61	1.64	1.69	-	1.66	1.70	1.75	-												
	AMPS	4.7	4.8	5.0	-	5.1	5.2	5.3	-	5.5	5.6	5.8	-	5.9	6.0	6.2	-	6.2	6.4	6.6	-	6.6	6.7	7.0	-												
	HIPR	209	225	238	-	235	252	267	-	267	287	303	-	304	327	345	-	342	368	389	-	378	407	429	-												
	LO PR	106	113	123	-	112	119	130																													

COOLING PERFORMANCE DATA

GSX130181B*

EXPANDED PERFORMANCE DATA

EXPANDED PERFORMANCE DATA

MODEL: GSX130181B* / CA*F1824*6B*

COOLING OPERATION

IDB*	Airflow	Outdoor Ambient Temperature												Outdoor Ambient Temperature																							
		65						75						85						95						105						115					
		59	63	67	71	75	79	59	63	67	71	75	79	59	63	67	71	75	79	59	63	67	71	75	79	59	63	67	71	75	79	59	63	67	71	75	79
80	525	MBh	16.4	16.7	17.9	19.1	16.0	16.3	17.4	18.6	15.6	15.9	17.0	18.2	15.2	15.6	16.6	17.8	14.5	14.8	15.8	16.9	13.4	13.7	14.6	15.6											
		S/T	0.83	0.78	0.63	0.47	0.86	0.81	0.66	0.49	0.88	0.83	0.67	0.50	0.91	0.86	0.70	0.52	0.95	0.89	0.72	0.54	0.95	0.90	0.73	0.54											
		Delta T	24	23	20	16	24	23	20	16	24	23	20	16	24	23	20	16	24	23	20	16	22	21	19	15											
		KW	1.29	1.32	1.36	1.40	1.38	1.41	1.45	1.50	1.46	1.49	1.54	1.59	1.53	1.57	1.61	1.66	1.59	1.63	1.68	1.73	1.65	1.68	1.73	1.79											
		AMPS	4.6	4.8	4.9	5.1	5.0	5.1	5.3	5.5	5.4	5.6	5.7	6.0	5.8	5.9	6.1	6.4	6.2	6.3	6.5	6.8	6.5	6.7	6.9	7.2											
	600	HIPR	207	223	235	245	232	250	264	275	264	284	300	313	301	324	342	357	338	364	385	401	374	402	425	443											
		LO PR	105	112	122	130	111	118	129	137	115	123	134	143	121	129	141	150	127	135	147	157	131	140	152	162											
		MBh	17.7	18.1	19.4	20.7	17.3	17.7	18.9	20.2	16.9	17.3	18.5	19.7	16.5	16.8	18.0	19.2	15.7	16.0	17.1	18.3	14.5	14.8	15.8	16.9											
		S/T	0.86	0.81	0.66	0.49	0.89	0.84	0.68	0.51	0.92	0.86	0.70	0.52	0.95	0.89	0.72	0.54	0.98	0.92	0.75	0.56	0.99	0.93	0.76	0.56											
		Delta T	23	22	20	16	24	23	20	16	24	23	20	16	24	23	20	16	24	23	20	16	22	21	18	15											
675	KW	1.32	1.35	1.39	1.43	1.42	1.44	1.49	1.53	1.50	1.53	1.58	1.62	1.57	1.60	1.65	1.71	1.63	1.67	1.72	1.77	1.69	1.72	1.78	1.83												
	AMPS	4.8	4.9	5.0	5.2	5.1	5.3	5.4	5.6	5.6	5.7	5.9	6.1	6.0	6.1	6.3	6.5	6.3	6.5	6.7	6.9	6.7	6.9	7.1	7.4												
	HIPR	213	230	242	253	239	258	272	284	272	293	309	323	310	334	352	368	349	375	396	413	385	415	438	457												
	LO PR	108	115	126	134	114	122	133	141	119	126	138	147	125	133	145	154	131	139	152	162	135	144	157	167												
	MBh	18.3	18.7	19.9	21.3	17.8	18.2	19.5	20.8	17.4	17.8	19.0	20.3	17.0	17.4	18.5	19.8	16.1	16.5	17.6	18.8	14.9	15.3	16.3	17.4												
85	525	S/T	0.90	0.85	0.69	0.52	0.94	0.88	0.72	0.53	0.96	0.90	0.73	0.55	1.00	0.93	0.76	0.57	1.00	0.97	0.79	0.59	1.00	1.00	0.79	0.59											
		Delta T	22	22	19	15	23	22	19	15	23	22	19	15	23	22	19	15	22	22	19	15	20	21	18	14											
		KW	1.33	1.36	1.40	1.44	1.43	1.45	1.50	1.54	1.51	1.54	1.59	1.64	1.58	1.62	1.67	1.72	1.65	1.68	1.73	1.79	1.70	1.74	1.79	1.85											
		AMPS	4.8	4.9	5.1	5.3	5.2	5.3	5.5	5.7	5.6	5.8	6.0	6.2	6.0	6.2	6.4	6.6	6.4	6.5	6.8	7.0	6.8	6.9	7.2	7.4											
		HIPR	215	232	245	255	242	260	275	287	275	296	313	326	313	337	356	371	352	379	400	418	389	419	442	461											
	600	LO PR	109	116	127	135	115	123	134	143	120	128	139	148	126	134	146	156	132	140	153	163	137	145	159	169											
		MBh	18.0	18.4	19.3	20.5	17.6	18.0	18.8	20.1	17.2	17.5	18.4	19.6	16.8	17.1	17.9	19.1	15.9	16.2	17.0	18.2	14.8	15.0	15.8	16.8											
		S/T	0.90	0.87	0.79	0.64	0.94	0.90	0.82	0.66	0.96	0.93	0.84	0.68	0.99	0.96	0.86	0.70	1.00	0.99	0.90	0.73	1.00	1.00	0.90	0.73											
		Delta T	25	25	23	20	25	25	24	20	25	25	24	20	25	25	24	21	24	25	23	20	23	23	22	19											
		KW	1.33	1.36	1.40	1.44	1.43	1.45	1.50	1.54	1.51	1.54	1.59	1.64	1.58	1.62	1.67	1.72	1.65	1.68	1.73	1.79	1.70	1.74	1.79	1.85											
675	AMPS	4.8	4.9	5.1	5.3	5.2	5.3	5.5	5.7	5.6	5.8	6.0	6.2	6.0	6.2	6.4	6.6	6.4	6.5	6.8	7.0	6.8	6.9	7.2	7.4												
	HIPR	209	225	238	248	235	252	267	278	267	287	303	316	304	327	345	360	342	368	388	405	378	406	429	448												
	LO PR	106	113	123	131	112	119	130	138	116	124	135	144	122	130	142	151	128	136	149	158	132	141	154	164												
	MBh	18.0	18.4	19.3	20.5	17.6	18.0	18.8	20.1	17.2	17.5	18.4	19.6	16.8	17.1	17.9	19.1	15.9	16.2	17.0	18.2	14.8	15.0	15.8	16.8												
	S/T	0.90	0.87	0.79	0.64	0.94	0.90	0.82	0.66	0.96	0.93	0.84	0.68	0.99	0.96	0.86	0.70	1.00	0.99	0.90	0.73	1.00	1.00	0.90	0.73												
85	525	Delta T	25	25	24	20	26	25	24	21	26	25	24	21	26	26	24	21	26	25	24	21	24	23	22	19											
		KW	1.30	1.33	1.37	1.41	1.39	1.42	1.46	1.51	1.47	1.50	1.55	1.60	1.55	1.58	1.63	1.68	1.61	1.64	1.69	1.75	1.66	1.69	1.75	1.80											
		AMPS	4.7	4.8	5.0	5.1	5.1	5.2	5.3	5.5	5.5	5.6	5.8	6.0	5.8	6.0	6.2	6.4	6.2	6.4	6.6	6.8	6.6	6.7	7.0	7.2											
		HIPR	209	225	238	248	235	252	267	278	267	287	303	316	304	327	345	360	342	368	388	405	378	406	429	448											
		LO PR	106	113	123	131	112	119	130	138	116	124	135	144	122	130	142	151	128	136	149	158	132	141	154	164											
	600	MBh	18.0	18.4	19.3	20.5	17.6	18.0	18.8	20.1	17.2	17.5	18.4	19.6	16.8	17.1	17.9	19.1	15.9	16.2	17.0	18.2	14.8	15.0	15.8	16.8											
		S/T	0.90	0.87	0.79	0.64	0.94	0.90	0.82	0.66	0.96	0.93	0.84	0.68	0.99	0.96	0.86	0.70	1.00	0.99	0.90	0.73	1.00	1.00	0.90	0.73											
		Delta T	25	25	23	20	25	25	24	20	25	25	24	20	25	25	24	21	24	25	23	20	23	23	22	19											
		KW	1.33	1.36	1.40	1.44	1.43	1.45	1.50	1.54	1.51	1.54	1.59	1.64	1.58	1.62	1.67	1.72	1.65	1.68	1.73	1.79	1.70	1.74	1.79	1.85											
		AMPS	4.8	4.9	5.1	5.3	5.2	5.3	5.5	5.7	5.6	5.8	6.0	6.2	6.0	6.2	6.4	6.6	6.4	6.5	6.8	7.0	6.8	6.9	7.2	7.4											
675	HIPR	215	232	245	255	242	260	275	287	275	296	313	326	313	337	356	371	352	379	400	418	389	419	442	461												
	LO PR	109	116	127	135	115	123	134	143	120	128	139	148	126	134	146	156	132	140	153	163	137	145	159	169												
	MBh	18.6	18.9	19.8	21.2	18.1	18.5	19.4	20.7	17.7	18.1	18.9	20.2	17.3	17.6	18.4	19.7	16.4	16.7	17.5	18.7	15.2	15.5	16.2	17.3												
	S/T	0.95	0.91	0.83	0.67	0.98	0.95	0.86	0.69	1.00	0.97	0.88	0.71	1.00	1.00	0.91	0.73	1.00	1.00	0.94	0.76	1.00	1.00	0.95	0.77												
	Delta T	24	24	22	19	24	24	23	20	24	24	23	20	24	24	23	20	22	23	22	19	21	21	21	18												
675	KW	1.34	1.37	1.41	1.45	1.44	1.47	1.51	1.56	1.52	1.55	1.60	1.65	1.60	1.63	1.68	1.73	1.66	1.69	1.75	1.80	1.71	1.75	1.81	1.86												
	AMPS	4.9	5.0	5.1	5.3	5.2	5.4	5.5	5.7	5.7	5.8	6.0	6.2	6.1	6.2	6.4	6.7	6.4	6.6	6.8	7.1	6.8	7.0	7.2	7.5												
	HIPR	218	234	247	258	244	263	278	289	278	299	316	329	316	340	359	375	356	383	404	422	393	423	447	466												
	LO PR	110	117	128	136	117	124	135	144	121	129	141	150	127	135	148	157	133	142	155	165	138	147	160	171												
	MBh	18.6	18.9	19.8	21.2	18.1	18.5	19.4	20.7	17.7	18.1	18.9	20.2	17.3	17.6	18.4	19.7	16.4	16.7	17.5	18.7	15.2	15.5	16.2	17.3												

* Entering Indoor Dry Bulb Temperature
High and low pressures are measured at the liquid and suction service valves.
NOTE: Shaded area is AHRI Rating Conditions
AMPS=Total system power
KW=Total system power
AMPS=Outdoor unit amps (comp.+fan)

COOLING PERFORMANCE DATA

GSX130241B*

IDB*	Airflow	Outdoor Ambient Temperature																							
		65				75				85				95				105				115			
		59	63	67	71	59	63	67	71	59	63	67	71	59	63	67	71	59	63	67	71	59	63	67	71
70	MBh	21.1	21.8	23.9	-	20.6	21.3	23.4	-	20.1	20.8	22.8	-	19.6	20.3	22.3	-	18.6	19.3	21.1	-	17.3	17.9	19.6	-
	S/T	0.67	0.56	0.39	-	0.70	0.58	0.40	-	0.72	0.60	0.41	-	0.74	0.62	0.43	-	0.77	0.64	0.44	-	0.77	0.65	0.45	-
	Delta T	19	16	12	-	19	16	12	-	19	16	12	-	19	16	13	-	19	16	12	-	18	15	12	-
	KW	1.68	1.70	1.74	-	1.77	1.79	1.83	-	1.84	1.87	1.92	-	1.91	1.94	1.99	-	1.97	2.01	2.05	-	2.02	2.06	2.11	-
	AMPS	5.7	5.8	6.0	-	6.1	6.3	6.5	-	6.7	6.8	7.1	-	7.1	7.3	7.5	-	7.6	7.8	8.0	-	8.0	8.2	8.5	-
	HIPR	209	225	237	-	234	252	266	-	267	287	303	-	304	327	345	-	342	368	388	-	377	406	429	-
	LO PR	100	107	116	-	106	113	123	-	110	117	128	-	116	123	134	-	121	129	141	-	125	133	146	-
	MBh	22.8	23.7	25.9	-	22.3	23.1	25.3	-	21.8	22.6	24.7	-	21.2	22.0	24.1	-	20.2	20.9	22.9	-	18.7	19.4	21.2	-
	S/T	0.70	0.58	0.40	-	0.72	0.61	0.42	-	0.74	0.62	0.43	-	0.77	0.64	0.44	-	0.80	0.66	0.46	-	0.80	0.67	0.46	-
	Delta T	18	16	12	-	19	16	12	-	19	16	12	-	19	16	12	-	18	16	12	-	17	15	11	-
800	KW	1.71	1.73	1.77	-	1.80	1.82	1.87	-	1.88	1.91	1.95	-	1.96	1.98	2.03	-	2.01	2.04	2.09	-	2.06	2.10	2.15	-
	AMPS	5.8	6.0	6.2	-	6.3	6.5	6.7	-	6.9	7.0	7.3	-	7.3	7.5	7.8	-	7.8	8.0	8.3	-	8.3	8.5	8.7	-
	HIPR	215	232	245	-	242	260	275	-	275	296	312	-	313	337	356	-	352	379	400	-	389	419	442	-
	LO PR	103	110	120	-	109	116	127	-	114	121	132	-	119	127	138	-	125	133	145	-	129	137	150	-
	MBh	23.5	24.4	26.7	-	23.0	23.8	26.1	-	22.4	23.2	25.5	-	21.9	22.7	24.8	-	20.8	21.5	23.6	-	19.3	20.0	21.9	-
	S/T	0.73	0.61	0.42	-	0.76	0.63	0.44	-	0.78	0.65	0.45	-	0.80	0.67	0.47	-	0.83	0.70	0.48	-	0.84	0.70	0.49	-
	Delta T	18	15	12	-	18	15	12	-	18	15	12	-	18	16	12	-	18	15	12	-	17	14	11	-
	KW	1.71	1.74	1.78	-	1.81	1.84	1.88	-	1.89	1.92	1.97	-	1.96	1.99	2.04	-	2.02	2.06	2.11	-	2.08	2.11	2.16	-
	AMPS	5.9	6.0	6.2	-	6.4	6.5	6.7	-	6.9	7.1	7.3	-	7.4	7.6	7.8	-	7.9	8.1	8.3	-	8.3	8.5	8.8	-
	HIPR	217	234	247	-	244	263	277	-	278	299	315	-	316	340	359	-	356	383	404	-	393	423	446	-
LO PR	104	111	121	-	110	117	128	-	115	122	133	-	120	128	140	-	126	134	147	-	131	139	152	-	
700	MBh	21.4	22.1	23.9	25.6	20.9	21.6	23.3	25.0	20.4	21.0	22.8	24.4	19.9	20.5	22.2	23.8	18.9	19.5	21.1	22.7	17.5	18.1	19.6	21.0
	S/T	0.77	0.69	0.52	0.33	0.79	0.71	0.54	0.35	0.81	0.73	0.55	0.35	0.84	0.75	0.57	0.37	0.87	0.78	0.59	0.38	0.88	0.79	0.60	0.38
	Delta T	22	20	16	11	22	20	16	11	22	20	16	11	22	20	17	11	22	20	16	11	20	19	15	11
	KW	1.69	1.71	1.75	1.79	1.78	1.80	1.84	1.89	1.86	1.88	1.93	1.98	1.93	1.96	2.00	2.05	1.99	2.02	2.07	2.12	2.04	2.07	2.12	2.18
	AMPS	5.7	5.9	6.1	6.3	6.2	6.3	6.6	6.8	6.7	6.9	7.1	7.4	7.2	7.4	7.6	7.9	7.7	7.8	8.1	8.4	8.1	8.3	8.6	8.9
	HIPR	211	227	240	250	237	255	269	281	269	290	306	319	307	330	348	363	345	371	392	409	381	410	433	452
	LO PR	101	108	118	125	107	114	124	132	111	118	129	138	117	124	136	145	122	130	142	151	127	135	147	157
	MBh	23.2	23.9	25.9	27.8	22.7	23.4	25.3	27.1	22.1	22.8	24.7	26.5	21.6	22.2	24.1	25.8	20.5	21.1	22.9	24.5	19.0	19.6	21.2	22.7
	S/T	0.79	0.71	0.54	0.35	0.82	0.74	0.56	0.36	0.84	0.76	0.57	0.37	0.87	0.78	0.59	0.38	0.90	0.81	0.61	0.39	0.91	0.82	0.62	0.40
	Delta T	21	20	16	11	21	20	16	11	21	20	16	11	22	20	16	11	21	20	16	11	20	18	15	10
800	KW	1.71	1.74	1.78	1.82	1.81	1.84	1.88	1.92	1.89	1.92	1.97	2.01	1.96	1.99	2.04	2.09	2.02	2.06	2.11	2.16	2.08	2.11	2.17	2.22
	AMPS	5.9	6.0	6.2	6.5	6.4	6.5	6.7	7.0	6.9	7.1	7.3	7.6	7.4	7.6	7.8	8.1	7.9	8.1	8.3	8.6	8.3	8.5	8.8	9.2
	HIPR	218	234	247	258	244	263	277	289	278	299	315	329	316	340	359	375	356	383	404	422	393	423	447	466
	LO PR	104	111	121	129	110	117	128	136	115	122	133	142	120	128	140	149	126	134	147	156	131	139	152	161
	MBh	23.9	24.6	26.7	28.6	23.4	24.1	26.0	27.9	22.8	23.5	25.4	27.3	22.2	22.9	24.8	26.6	21.1	21.8	23.6	25.3	19.6	20.2	21.8	23.4
	S/T	0.83	0.75	0.56	0.36	0.86	0.77	0.58	0.38	0.89	0.79	0.60	0.39	0.91	0.82	0.62	0.40	0.95	0.85	0.64	0.41	0.96	0.86	0.65	0.42
	Delta T	20	19	15	11	21	19	16	11	21	19	16	11	21	19	16	11	20	19	15	11	19	18	14	10
	KW	1.72	1.75	1.79	1.83	1.82	1.85	1.89	1.93	1.90	1.93	1.98	2.03	1.97	2.01	2.06	2.11	2.04	2.07	2.12	2.18	2.09	2.13	2.18	2.24
	AMPS	5.9	6.1	6.3	6.5	6.4	6.6	6.8	7.1	7.0	7.2	7.4	7.7	7.5	7.6	7.9	8.2	7.9	8.1	8.4	8.7	8.4	8.6	8.9	9.3
	HIPR	220	236	250	260	247	265	280	292	280	302	319	332	319	344	363	378	359	387	408	426	397	427	451	470
LO PR	105	112	122	130	111	119	129	138	116	123	135	143	122	129	141	150	127	136	148	158	132	140	153	163	

* Entering Indoor Dry Bulb Temperature

NOTE: Shaded area is ACCA (TVA) conditions

High and low pressures are measured at the liquid and suction service valves.

AMPS=Outdoor unit amps (comp. frian)

KW=Total system power

COOLING PERFORMANCE DATA

GSX130241B*

EXPANDED PERFORMANCE DATA

EXPANDED PERFORMANCE DATA

MODEL: GSX130241B* / CA*F1824*6B*

IDB*	Airflow	Outdoor Ambient Temperature												Cooling Operation													
		65				75				85				95				105				115					
		59	63	67	71	59	63	67	71	59	63	67	71	59	63	67	71	59	63	67	71	59	63	67	71		
80	700	MBh	21.8	22.3	23.8	25.5	21.3	21.8	23.3	24.9	20.8	21.3	22.7	24.3	20.3	20.7	22.2	23.7	19.3	19.7	21.0	22.5	17.9	18.2	19.5	20.8	
		S/T	0.84	0.79	0.64	0.48	0.87	0.82	0.67	0.50	0.89	0.84	0.68	0.51	0.92	0.86	0.70	0.53	0.96	0.90	0.73	0.55	0.97	0.91	0.74	0.55	
		Delta T	24	23	20	16	24	23	20	16	24	23	20	16	25	24	20	16	24	23	20	16	23	22	19	15	
		KW	1.70	1.72	1.76	1.80	1.79	1.81	1.86	1.90	1.87	1.90	1.94	1.99	1.94	1.97	2.02	2.07	2.00	2.03	2.08	2.13	2.05	2.08	2.14	2.19	
		AMPS	5.8	5.9	6.1	6.3	6.3	6.4	6.6	6.9	6.8	7.0	7.2	7.5	7.3	7.4	7.7	8.0	7.7	7.9	8.2	8.5	8.2	8.4	8.7	9.0	
		HIPR	213	229	242	253	239	257	272	283	272	293	309	322	310	333	352	367	348	375	396	413	385	414	438	456	
	800	700	LO PR	102	109	119	127	108	115	126	134	112	120	130	139	118	126	137	146	124	132	144	153	128	136	149	158
			MBh	23.6	24.1	25.8	27.6	23.1	23.6	25.2	26.9	22.5	23.0	24.6	26.3	22.0	22.5	24.0	25.7	20.9	21.3	22.8	24.4	19.3	19.8	21.1	22.6
			S/T	0.87	0.82	0.67	0.50	0.90	0.85	0.69	0.52	0.93	0.87	0.71	0.53	0.96	0.90	0.73	0.55	0.99	0.93	0.76	0.57	1.00	0.94	0.76	0.57
			Delta T	24	23	20	16	24	23	20	16	24	23	20	16	24	23	20	16	24	23	20	16	22	21	19	15
			KW	1.72	1.75	1.79	1.83	1.82	1.85	1.89	1.93	1.90	1.93	1.98	2.03	1.97	2.01	2.06	2.11	2.04	2.07	2.12	2.18	2.09	2.13	2.18	2.24
			AMPS	5.9	6.1	6.3	6.5	6.4	6.6	6.8	7.1	7.0	7.2	7.4	7.7	7.5	7.6	7.9	8.2	7.9	8.1	8.4	8.7	8.4	8.6	8.9	9.3
900	700	HIPR	220	236	250	260	247	265	280	292	280	302	319	332	319	344	363	379	359	387	408	426	397	427	451	470	
		LO PR	105	112	123	130	111	119	129	138	116	123	135	143	122	129	141	150	127	136	148	158	132	140	153	163	
		MBh	24.3	24.9	26.6	28.4	23.8	24.3	26.0	27.7	23.2	23.7	25.3	27.1	22.6	23.1	24.7	26.4	21.5	22.0	23.5	25.1	19.9	20.4	21.8	23.3	
		S/T	0.91	0.86	0.70	0.52	0.95	0.89	0.72	0.54	1.00	0.91	0.74	0.55	1.00	0.94	0.77	0.57	1.00	1.00	0.79	0.59	1.00	1.00	0.80	0.60	
		Delta T	23	22	19	15	23	22	19	15	24	22	19	15	23	22	19	15	22	22	19	15	20	21	18	14	
		KW	1.73	1.76	1.80	1.84	1.83	1.86	1.90	1.95	1.91	1.94	1.99	2.04	1.99	2.02	2.07	2.12	2.05	2.08	2.14	2.19	2.10	2.14	2.19	2.25	
85	700	AMPS	6.0	6.1	6.3	6.6	6.5	6.6	6.9	7.1	7.0	7.2	7.5	7.7	7.5	7.7	8.0	8.3	8.0	8.2	8.5	8.8	8.5	8.7	9.0	9.3	
		HIPR	222	239	252	263	249	268	283	295	283	305	322	336	323	347	367	382	363	390	412	430	401	431	456	475	
		LO PR	107	113	124	132	113	120	131	139	117	124	136	145	123	131	143	152	129	137	150	159	133	142	155	165	
		MBh	22.2	22.6	23.7	25.3	21.7	22.1	23.1	24.7	21.2	21.6	22.6	24.1	20.6	21.0	22.0	23.5	19.6	20.0	20.9	22.3	18.2	18.5	19.4	20.7	
		S/T	0.88	0.85	0.77	0.62	0.91	0.88	0.80	0.65	0.94	0.90	0.82	0.66	0.97	0.93	0.84	0.68	1.00	0.97	0.87	0.71	1.00	0.98	0.88	0.71	
		Delta T	26	25	24	21	26	26	24	21	26	26	24	21	26	26	24	21	26	25	24	21	24	24	22	19	
800	700	KW	1.70	1.73	1.77	1.81	1.80	1.82	1.87	1.91	1.88	1.91	1.95	2.00	1.95	1.98	2.03	2.08	2.01	2.04	2.09	2.15	2.06	2.10	2.15	2.21	
		AMPS	5.8	6.0	6.2	6.4	6.3	6.5	6.7	6.9	6.9	7.0	7.3	7.5	7.3	7.5	7.8	8.0	7.8	8.0	8.3	8.6	8.3	8.5	8.7	9.1	
		HIPR	215	232	245	255	242	260	274	286	275	296	312	326	313	337	356	371	352	379	400	417	389	419	442	461	
		LO PR	103	110	120	128	109	116	127	135	113	121	132	140	119	127	138	147	125	133	145	155	129	137	150	160	
		MBh	24.0	24.5	25.7	27.4	23.5	23.9	25.1	26.8	22.9	23.4	24.5	26.1	22.4	22.8	23.9	25.5	21.2	21.7	22.7	24.2	19.7	20.1	21.0	22.4	
		S/T	0.91	0.88	0.80	0.65	0.95	0.91	0.82	0.67	0.97	0.94	0.85	0.69	1.00	0.97	0.87	0.71	1.00	1.00	0.91	0.74	1.00	1.00	0.91	0.74	
900	700	Delta T	25	25	23	20	26	25	24	21	26	25	24	21	26	25	24	21	24	25	24	20	23	23	22	19	
		KW	1.73	1.76	1.80	1.84	1.83	1.86	1.90	1.95	1.91	1.94	1.99	2.04	1.99	2.02	2.07	2.12	2.05	2.08	2.14	2.19	2.10	2.14	2.19	2.25	
		AMPS	6.0	6.1	6.3	6.6	6.5	6.6	6.9	7.1	7.0	7.2	7.5	7.7	7.5	7.7	8.0	8.3	8.0	8.2	8.5	8.8	8.5	8.7	9.0	9.3	
		HIPR	222	239	252	263	249	268	283	295	283	305	322	336	323	347	367	382	363	390	412	430	401	431	456	475	
		LO PR	107	113	124	132	113	120	131	139	117	124	136	145	123	131	143	152	129	137	150	159	133	142	155	165	
		MBh	24.8	25.2	26.4	28.2	24.2	24.7	25.8	27.6	23.6	24.1	25.2	26.9	23.0	23.5	24.6	26.2	21.9	22.3	23.4	24.9	20.3	20.7	21.6	23.1	
85	800	S/T	0.96	0.92	0.83	0.68	0.99	0.96	0.86	0.70	1.00	0.98	0.89	0.72	1.00	1.00	0.92	0.74	1.00	1.00	0.95	0.77	1.00	1.00	0.96	0.78	
		Delta T	24	24	23	20	25	24	23	20	24	24	23	20	24	24	23	20	22	23	23	20	21	21	21	18	
		KW	1.74	1.77	1.81	1.85	1.84	1.87	1.91	1.96	1.92	1.96	2.00	2.05	2.00	2.03	2.08	2.14	2.06	2.10	2.15	2.21	2.12	2.15	2.21	2.27	
		AMPS	6.1	6.2	6.4	6.6	6.5	6.7	6.9	7.2	7.1	7.3	7.5	7.8	7.6	7.8	8.0	8.4	8.1	8.3	8.6	8.9	8.6	8.8	9.1	9.4	
		HIPR	224	241	255	266	251	271	286	298	286	308	325	339	326	351	370	386	366	394	416	434	405	436	460	480	
		LO PR	108	114	125	133	114	121	132	141	118	126	137	146	124	132	144	154	130	138	151	161	135	142	156	166	

* Entering Indoor Dry Bulb Temperature
High and low pressures are measured at the liquid and suction service valves.
NOTE: Shaded area is AHR1 Rating Conditions
AMPS=Outdoor unit amps (comp.+fan)
KW=Total system power

COOLING PERFORMANCE DATA

GSX130301B*

MODEL: GSX130301B* / CA*F3030*6B*

EXPANDED PERFORMANCE DATA

COOLING OPERATION

IDB*	Airflow	Outdoor Ambient Temperature																							
		65				75				85				95				105				115			
		59	63	67	71	59	63	67	71	59	63	67	71	59	63	67	71	59	63	67	71	59	63	67	71
70	MBh	24.9	25.8	28.3	-	23.8	24.6	27.0	-	23.2	24.0	26.3	-	22.0	22.8	25.0	-	22.0	22.8	25.0	-	20.4	21.2	23.2	-
	S/T	0.69	0.58	0.40	-	0.74	0.61	0.43	-	0.76	0.63	0.44	-	0.79	0.66	0.46	-	0.79	0.66	0.46	-	0.80	0.66	0.46	-
	Delta T	18	16	12	-	18	16	12	-	19	16	12	-	18	16	12	-	18	16	12	-	17	15	11	-
	KW	1.94	1.98	2.03	-	2.08	2.12	2.18	-	2.20	2.25	2.32	-	2.40	2.45	2.53	-	2.40	2.45	2.53	-	2.48	2.54	2.62	-
	AMPS	6.8	7.0	7.2	-	7.4	7.6	7.8	-	8.0	8.2	8.5	-	8.6	8.8	9.1	-	9.1	9.3	9.7	-	9.7	9.9	10.2	-
	HI PR	228	245	259	-	256	275	291	-	291	313	331	-	332	357	377	-	373	401	424	-	412	443	468	-
LO PR	102	109	119	-	108	115	125	-	112	119	130	-	118	125	137	-	124	131	143	-	128	136	148	-	
1000	MBh	27.0	28.0	30.7	-	26.4	27.4	30.0	-	25.8	26.7	29.3	-	25.1	26.1	28.5	-	23.9	24.7	27.1	-	22.1	22.9	25.1	-
	S/T	0.72	0.60	0.42	-	0.74	0.62	0.43	-	0.76	0.64	0.44	-	0.79	0.66	0.46	-	0.82	0.68	0.47	-	0.82	0.69	0.48	-
	Delta T	18	15	12	-	18	16	12	-	18	16	12	-	18	16	12	-	18	16	12	-	17	15	11	-
	KW	1.98	2.02	2.08	-	2.13	2.17	2.24	-	2.25	2.30	2.37	-	2.37	2.42	2.49	-	2.46	2.51	2.59	-	2.54	2.60	2.68	-
	AMPS	7.0	7.2	7.4	-	7.6	7.8	8.0	-	8.2	8.4	8.7	-	8.8	9.0	9.3	-	9.4	9.6	9.9	-	9.9	10.2	10.5	-
	HI PR	235	253	267	-	264	284	300	-	300	323	341	-	342	368	388	-	384	414	437	-	425	457	483	-
LO PR	105	112	122	-	111	118	129	-	116	123	134	-	122	129	141	-	127	135	148	-	132	140	153	-	
1125	MBh	27.8	28.8	31.6	-	27.2	28.2	30.9	-	26.5	27.5	30.1	-	25.9	26.8	29.4	-	24.6	25.5	27.9	-	22.8	23.6	25.9	-
	S/T	0.75	0.63	0.44	-	0.78	0.65	0.45	-	0.80	0.67	0.46	-	0.83	0.69	0.48	-	0.86	0.72	0.50	-	0.86	0.72	0.50	-
	Delta T	17	15	11	-	17	15	11	-	17	15	11	-	17	15	11	-	17	15	11	-	16	14	11	-
	KW	2.00	2.04	2.10	-	2.14	2.19	2.25	-	2.27	2.32	2.39	-	2.39	2.44	2.51	-	2.48	2.53	2.62	-	2.56	2.62	2.70	-
	AMPS	7.1	7.2	7.5	-	7.7	7.8	8.1	-	8.3	8.5	8.8	-	8.9	9.1	9.4	-	9.5	9.7	10.0	-	10.0	10.3	10.6	-
	HI PR	237	256	270	-	266	287	303	-	303	326	344	-	345	371	392	-	388	418	441	-	429	462	488	-
LO PR	106	113	124	-	112	120	131	-	117	124	136	-	123	131	143	-	129	137	149	-	133	142	155	-	

IDB*	Airflow	Outdoor Ambient Temperature																							
		65				75				85				95				105				115			
		59	63	67	71	59	63	67	71	59	63	67	71	59	63	67	71	59	63	67	71	59	63	67	71
75	MBh	25.4	26.1	28.3	30.3	24.8	25.5	27.6	29.6	24.2	24.9	26.9	28.9	23.6	24.3	26.3	28.2	22.4	23.1	25.0	26.8	20.8	21.4	23.1	24.8
	S/T	0.79	0.70	0.53	0.34	0.82	0.73	0.55	0.36	0.84	0.75	0.57	0.36	0.86	0.77	0.58	0.38	0.90	0.80	0.61	0.39	0.90	0.81	0.61	0.39
	Delta T	21	19	16	11	21	20	16	11	21	20	16	11	21	20	16	11	21	19	16	11	20	18	15	10
	KW	1.95	1.99	2.05	2.11	2.09	2.14	2.20	2.27	2.22	2.26	2.33	2.41	2.33	2.38	2.45	2.53	2.42	2.47	2.55	2.63	2.50	2.56	2.64	2.72
	AMPS	6.9	7.1	7.3	7.6	7.4	7.6	7.9	8.2	8.1	8.3	8.6	8.9	8.6	8.9	9.2	9.5	9.2	9.4	9.7	10.1	9.7	10.0	10.3	10.7
	HI PR	230	248	262	273	259	278	294	306	294	316	334	349	335	360	381	397	377	405	428	447	416	448	473	493
LO PR	103	110	120	128	109	116	127	135	113	121	132	140	119	127	138	147	125	133	145	154	129	137	150	160	
1000	MBh	27.5	28.3	30.6	32.9	26.8	27.6	29.9	32.1	26.2	27.0	29.2	31.3	25.6	26.3	28.5	30.6	24.3	25.0	27.1	29.0	22.5	23.2	25.1	26.9
	S/T	0.82	0.73	0.55	0.36	0.85	0.76	0.57	0.37	0.87	0.78	0.59	0.38	0.90	0.80	0.61	0.39	0.93	0.83	0.63	0.40	0.94	0.84	0.63	0.41
	Delta T	21	19	16	11	21	19	16	11	21	19	16	11	21	19	16	11	21	19	16	11	19	18	15	10
	KW	2.00	2.04	2.10	2.16	2.14	2.19	2.25	2.32	2.27	2.32	2.39	2.47	2.39	2.44	2.51	2.59	2.48	2.53	2.62	2.70	2.57	2.62	2.70	2.79
	AMPS	7.1	7.2	7.5	7.8	7.7	7.8	8.1	8.4	8.3	8.5	8.8	9.1	8.9	9.1	9.4	9.8	9.5	9.7	10.0	10.4	10.0	10.3	10.6	11.0
	HI PR	238	256	270	282	267	287	303	316	303	326	344	359	345	372	392	409	388	418	441	460	429	462	488	509
LO PR	106	113	124	132	112	120	131	139	117	124	136	145	123	131	143	152	129	137	149	159	133	142	155	165	
1125	MBh	28.3	29.1	31.5	33.9	27.6	28.5	30.8	33.1	27.0	27.8	30.1	32.3	26.3	27.1	29.3	31.5	25.0	25.8	27.9	29.9	23.2	23.9	25.8	27.7
	S/T	0.86	0.77	0.58	0.37	0.89	0.79	0.60	0.39	0.91	0.81	0.62	0.40	0.94	0.84	0.64	0.41	0.97	0.87	0.66	0.42	0.98	0.88	0.67	0.43
	Delta T	20	18	15	10	20	18	15	10	20	18	15	10	20	19	15	11	20	18	15	10	19	17	14	10
	KW	2.01	2.05	2.11	2.18	2.16	2.20	2.27	2.34	2.29	2.34	2.41	2.49	2.40	2.46	2.53	2.61	2.50	2.56	2.64	2.72	2.59	2.64	2.73	2.82
	AMPS	7.1	7.3	7.6	7.8	7.7	7.9	8.2	8.5	8.4	8.6	8.9	9.2	9.0	9.2	9.5	9.9	9.6	9.8	10.1	10.5	10.1	10.4	10.7	11.1
	HI PR	240	258	273	284	269	290	306	319	306	329	348	363	349	375	396	413	392	422	446	465	433	466	493	514
LO PR	107	114	125	133	114	121	132	140	118	126	137	146	124	132	144	153	130	138	151	161	134	143	156	166	

* Entering Indoor Dry Bulb Temperature
 High and low pressures are measured at the liquid and suction service valves.
 NOTE: Shaded area is ACOA (TVA) conditions
 AMPS=total system power
 KW=total system power
 AMPs=outdoor unit amps (comp. ffan)

COOLING PERFORMANCE DATA

GSX130301B*

MODEL: GSX130301B* / CA*F3030*6B*

EXPANDED PERFORMANCE DATA

COOLING OPERATION

IDB*	Airflow	Outdoor Ambient Temperature																								
		65				75				85				95				105				115				
		59	63	67	71	59	63	67	71	59	63	67	71	59	63	67	71	59	63	67	71	59	63	67	71	
80	875	MBh	25.8	26.4	28.2	30.1	25.2	25.8	27.5	29.4	24.6	25.1	26.9	28.7	24.0	24.5	26.2	28.0	22.8	23.3	24.9	26.6	21.1	21.6	23.1	24.7
		S/T	0.86	0.81	0.66	0.49	0.90	0.84	0.68	0.51	0.92	0.86	0.70	0.52	0.95	0.89	0.72	0.54	0.98	0.92	0.75	0.56	0.99	0.93	0.76	0.57
		Delta T	23	22	20	16	24	23	20	16	24	23	20	16	24	23	20	16	24	23	20	16	22	21	18	15
		KW	1.97	2.01	2.07	2.13	2.11	2.15	2.22	2.29	2.24	2.28	2.35	2.43	2.35	2.40	2.47	2.55	2.44	2.49	2.57	2.66	2.52	2.58	2.66	2.75
		AMPS	7.0	7.1	7.3	7.6	7.5	7.7	7.9	8.2	8.2	8.4	8.6	9.0	8.7	8.9	9.2	9.6	9.3	9.5	9.8	10.2	9.8	10.1	10.4	10.8
		HIPR	233	250	264	276	261	281	297	310	297	320	338	352	338	364	384	401	381	410	432	451	420	452	478	498
		LOPR	104	111	121	129	110	117	128	136	114	122	133	142	120	128	140	149	126	134	146	156	130	139	151	161
		MBh	28.0	28.6	30.5	32.6	27.3	27.9	29.8	31.9	26.7	27.2	29.1	31.1	26.0	26.6	28.4	30.4	24.7	25.3	27.0	28.8	22.9	23.4	25.0	26.7
		S/T	0.90	0.84	0.68	0.51	0.93	0.87	0.71	0.53	0.95	0.89	0.73	0.54	0.98	0.92	0.75	0.56	1.00	0.96	0.78	0.58	1.00	0.96	0.78	0.59
		Delta T	23	22	19	15	23	22	19	16	23	22	19	16	23	23	20	16	23	22	19	15	21	21	18	14
80	1000	KW	2.01	2.05	2.12	2.18	2.16	2.20	2.27	2.34	2.29	2.34	2.41	2.49	2.40	2.46	2.53	2.61	2.50	2.56	2.64	2.72	2.59	2.64	2.73	2.82
		AMPS	7.1	7.3	7.6	7.8	7.7	7.9	8.2	8.5	8.4	8.6	8.9	9.2	9.0	9.2	9.5	9.9	9.6	9.8	10.1	10.5	10.1	10.4	10.7	11.1
		HIPR	240	258	273	284	269	290	306	319	306	330	348	363	349	375	396	413	392	422	446	465	433	466	493	514
		LOPR	107	114	125	133	114	121	132	140	118	126	137	146	124	132	144	153	130	138	151	161	134	143	156	166
		MBh	28.8	29.4	31.4	33.6	28.1	28.7	30.7	32.8	27.5	28.1	30.0	32.1	26.8	27.4	29.3	31.3	25.5	26.0	27.8	29.7	23.6	24.1	25.7	27.5
		S/T	0.94	0.88	0.72	0.54	1.00	0.91	0.74	0.56	1.00	0.94	0.76	0.57	1.00	0.97	0.79	0.59	1.00	1.00	0.82	0.61	1.00	1.00	0.82	0.62
		Delta T	22	21	18	15	23	21	19	15	22	21	19	15	22	22	19	15	21	21	19	15	19	20	17	14
		KW	2.03	2.07	2.13	2.20	2.18	2.22	2.29	2.36	2.31	2.36	2.43	2.51	2.42	2.48	2.55	2.64	2.52	2.58	2.66	2.74	2.61	2.66	2.75	2.84
		AMPS	7.2	7.4	7.6	7.9	7.8	8.0	8.2	8.6	8.5	8.7	9.0	9.3	9.1	9.3	9.6	10.0	9.6	9.9	10.2	10.6	10.2	10.5	10.8	11.2
		HIPR	242	261	275	287	272	293	309	322	309	333	351	367	352	379	400	417	396	426	450	470	438	471	498	519
LOPR	109	116	126	134	115	122	133	142	119	127	138	147	125	133	145	155	131	140	152	162	136	144	158	168		

85	875	MBh	26.3	26.8	28.0	29.9	25.7	26.1	27.4	29.2	25.0	25.5	26.7	28.5	24.4	24.9	26.1	27.8	23.2	23.7	24.8	26.4	21.5	21.9	23.0	24.5
		S/T	0.91	0.87	0.79	0.64	0.94	0.91	0.82	0.66	0.96	0.93	0.84	0.68	0.99	0.96	0.86	0.70	1.00	0.99	0.90	0.73	1.00	1.00	0.91	0.73
		Delta T	25	25	23	20	25	25	24	20	25	25	24	20	25	25	24	21	24	25	23	20	23	23	22	19
		KW	1.98	2.02	2.08	2.15	2.13	2.17	2.24	2.31	2.25	2.30	2.37	2.45	2.37	2.42	2.49	2.57	2.46	2.51	2.59	2.68	2.54	2.60	2.68	2.77
		AMPS	7.0	7.2	7.4	7.7	7.6	7.8	8.0	8.3	8.2	8.4	8.7	9.0	8.8	9.0	9.3	9.7	9.4	9.6	9.9	10.3	9.9	10.2	10.5	10.9
		HIPR	235	253	267	279	264	284	300	313	300	323	341	356	342	368	388	405	384	414	437	456	425	457	483	503
		LOPR	105	112	122	130	111	118	129	138	116	123	134	143	121	129	141	150	127	135	148	157	132	140	153	163
		MBh	28.5	29.0	30.4	32.4	27.8	28.3	29.7	31.7	27.1	27.7	29.0	30.9	26.5	27.0	28.3	30.1	25.1	25.6	26.8	28.6	23.3	23.7	24.9	26.5
		S/T	0.94	0.91	0.82	0.66	0.97	0.94	0.85	0.69	1.00	0.96	0.87	0.71	1.00	0.99	0.90	0.73	1.00	1.00	0.93	0.76	1.00	1.00	0.94	0.76
		Delta T	25	24	23	20	25	24	23	20	25	24	23	20	24	25	23	20	23	24	23	20	21	22	21	19
85	1000	KW	2.03	2.07	2.13	2.20	2.18	2.22	2.29	2.36	2.31	2.36	2.43	2.51	2.42	2.48	2.55	2.64	2.52	2.58	2.66	2.74	2.61	2.66	2.75	2.84
		AMPS	7.2	7.4	7.6	7.9	7.8	8.0	8.2	8.6	8.5	8.7	9.0	9.3	9.1	9.3	9.6	10.0	9.6	9.9	10.2	10.6	10.2	10.5	10.8	11.2
		HIPR	242	261	275	287	272	293	309	322	309	333	351	367	352	379	400	417	396	426	450	470	438	471	498	519
		LOPR	109	116	126	134	115	122	133	142	119	127	138	147	125	133	145	155	131	140	152	162	136	144	158	168
		MBh	28.5	29.0	30.4	32.4	27.8	28.3	29.7	31.7	27.1	27.7	29.0	30.9	26.5	27.0	28.3	30.1	25.1	25.6	26.8	28.6	23.3	23.7	24.9	26.5
		S/T	0.94	0.91	0.82	0.66	0.97	0.94	0.85	0.69	1.00	0.96	0.87	0.71	1.00	0.99	0.90	0.73	1.00	1.00	0.93	0.76	1.00	1.00	0.94	0.76
		Delta T	25	24	23	20	25	24	23	20	25	24	23	20	24	25	23	20	23	24	23	20	21	22	21	19
		KW	2.03	2.07	2.13	2.20	2.18	2.22	2.29	2.36	2.31	2.36	2.43	2.51	2.42	2.48	2.55	2.64	2.52	2.58	2.66	2.74	2.61	2.66	2.75	2.84
		AMPS	7.2	7.4	7.6	7.9	7.8	8.0	8.2	8.6	8.5	8.7	9.0	9.3	9.1	9.3	9.6	10.0	9.6	9.9	10.2	10.6	10.2	10.5	10.8	11.2
		HIPR	242	261	275	287	272	293	309	322	309	333	351	367	352	379	400	417	396	426	450	470	438	471	498	519
LOPR	109	116	126	134	115	122	133	142	119	127	138	147	125	133	145	155	131	140	152	162	136	144	158	168		

AMPS=Outdoor unit amps (comp.-fan)
KW=Total system power

NOTE: Shaded area is AHRI Rating Conditions
High and low pressures are measured at the liquid and suction service valves.

* Entering Indoor Dry Bulb Temperature
High and low pressures are measured at the liquid and suction service valves.

EXPANDED PERFORMANCE DATA

COOLING OPERATION

COOLING PERFORMANCE DATA

GSX130361B*

IDB*	Airflow	Outdoor Ambient Temperature																																
		65					75					85					95					105					115							
		59	63	67	71	75	59	63	67	71	75	59	63	67	71	75	59	63	67	71	75	59	63	67	71	75	59	63	67	71	75			
70	1050	MBh	31.1	32.2	35.3	-	30.4	31.5	34.5	-	29.6	30.7	33.7	-	28.9	30.0	32.8	-	27.5	28.5	31.2	-	25.4	26.4	28.9	-	25.4	26.4	28.9	-	25.4	26.4	28.9	-
		S/T	0.70	0.58	0.40	-	0.72	0.60	0.42	-	0.74	0.62	0.43	-	0.76	0.64	0.44	-	0.79	0.66	0.46	-	0.80	0.67	0.46	-	0.80	0.67	0.46	-	0.80	0.67	0.46	-
		Delta T	19	16	12	-	19	17	13	-	19	17	13	-	19	17	13	-	19	16	13	-	18	15	12	-	18	15	12	-	18	15	12	-
		KW	2.40	2.44	2.52	-	2.57	2.63	2.71	-	2.73	2.78	2.87	-	2.86	2.92	3.02	-	2.98	3.04	3.14	-	3.08	3.15	3.25	-	3.08	3.15	3.25	-	3.08	3.15	3.25	-
		AMPS	8.7	8.9	9.2	-	9.4	9.7	10.0	-	10.3	10.5	10.9	-	11.0	11.3	11.6	-	11.7	12.0	12.4	-	12.4	12.7	13.1	-	12.4	12.7	13.1	-	12.4	12.7	13.1	-
70	1200	MBh	21.4	23.1	24.4	-	24.1	25.9	27.3	-	27.4	29.4	31.1	-	3.12	3.35	3.54	-	3.51	3.77	3.98	-	3.87	4.17	4.40	-	3.87	4.17	4.40	-	3.87	4.17	4.40	-
		S/T	0.72	0.60	0.42	-	0.75	0.62	0.43	-	0.77	0.64	0.44	-	0.79	0.66	0.46	-	0.82	0.69	0.48	-	0.83	0.69	0.48	-	0.83	0.69	0.48	-	0.83	0.69	0.48	-
		Delta T	19	16	12	-	19	16	12	-	19	16	12	-	19	16	12	-	19	16	12	-	17	15	11	-	17	15	11	-	17	15	11	-
		KW	2.45	2.50	2.58	-	2.63	2.69	2.77	-	2.79	2.85	2.94	-	2.93	3.00	3.09	-	3.05	3.12	3.22	-	3.16	3.23	3.33	-	3.16	3.23	3.33	-	3.16	3.23	3.33	-
		AMPS	9.0	9.2	9.5	-	9.7	10.0	10.3	-	10.6	10.8	11.2	-	11.3	11.6	12.0	-	12.0	12.3	12.8	-	12.8	13.1	13.5	-	12.8	13.1	13.5	-	12.8	13.1	13.5	-
70	1350	MBh	22.1	23.8	25.1	-	24.8	26.7	28.2	-	28.2	30.4	32.1	-	3.21	3.46	3.65	-	3.61	3.89	4.11	-	3.99	4.30	4.54	-	3.99	4.30	4.54	-	3.99	4.30	4.54	-
		S/T	0.76	0.63	0.44	-	0.78	0.65	0.45	-	0.80	0.67	0.47	-	0.83	0.69	0.48	-	0.86	0.72	0.50	-	0.87	0.73	0.50	-	0.87	0.73	0.50	-	0.87	0.73	0.50	-
		Delta T	18	15	12	-	18	16	12	-	18	16	12	-	18	16	12	-	18	16	12	-	17	15	11	-	17	15	11	-	17	15	11	-
		KW	2.47	2.52	2.60	-	2.65	2.71	2.79	-	2.82	2.88	2.97	-	2.96	3.02	3.12	-	3.08	3.15	3.25	-	3.18	3.25	3.36	-	3.18	3.25	3.36	-	3.18	3.25	3.36	-
		AMPS	9.1	9.3	9.6	-	9.8	10.0	10.4	-	10.7	10.9	11.3	-	11.4	11.7	12.1	-	12.1	12.5	12.9	-	12.9	13.2	13.7	-	12.9	13.2	13.7	-	12.9	13.2	13.7	-

75	1050	MBh	31.6	32.5	35.2	37.8	30.9	31.8	34.4	36.9	30.1	31.0	33.6	36.1	29.4	30.3	32.8	35.2	27.9	28.8	31.1	33.4	25.9	26.6	28.8	31.0
		S/T	0.79	0.71	0.54	0.34	0.82	0.73	0.55	0.36	0.84	0.75	0.57	0.37	0.87	0.78	0.59	0.38	0.90	0.81	0.61	0.39	0.91	0.81	0.61	0.40
		Delta T	22	20	17	11	22	20	17	12	22	20	17	12	22	21	17	12	22	20	17	11	21	19	16	11
		KW	2.41	2.46	2.54	2.62	2.59	2.65	2.73	2.81	2.75	2.81	2.89	2.99	2.89	2.95	3.04	3.14	3.00	3.07	3.17	3.27	3.11	3.17	3.28	3.38
		AMPS	8.8	9.0	9.3	9.7	9.5	9.8	10.1	10.5	10.4	10.6	11.0	11.4	11.1	11.4	11.7	12.2	11.8	12.1	12.5	13.0	12.5	12.8	13.3	13.8
75	1200	MBh	21.7	23.3	24.6	25.7	24.3	26.2	27.6	28.8	27.6	29.7	31.4	32.8	3.15	3.39	3.58	3.73	3.54	3.81	4.02	4.20	3.91	4.21	4.45	4.64
		S/T	0.82	0.73	0.56	0.36	0.85	0.76	0.58	0.37	0.87	0.78	0.59	0.38	0.90	0.80	0.61	0.39	0.93	0.83	0.63	0.41	0.94	0.84	0.64	0.41
		Delta T	22	20	16	11	22	20	16	11	22	20	16	11	22	20	17	11	22	20	16	11	20	19	15	11
		KW	2.47	2.52	2.60	2.68	2.65	2.71	2.79	2.88	2.82	2.88	2.97	3.06	2.96	3.02	3.12	3.22	3.08	3.15	3.25	3.35	3.18	3.25	3.36	3.47
		AMPS	9.1	9.3	9.6	10.0	9.8	10.0	10.4	10.8	10.7	10.9	11.3	11.7	11.4	11.7	12.1	12.5	12.2	12.5	12.9	13.4	12.9	13.2	13.7	14.2
75	1350	MBh	22.3	24.0	25.4	26.5	25.1	27.0	28.5	29.7	28.5	30.7	32.4	33.8	3.25	3.49	3.69	3.85	3.65	3.93	4.15	4.33	4.03	4.34	4.58	4.78
		S/T	0.82	0.73	0.56	0.36	0.85	0.76	0.58	0.37	0.87	0.78	0.59	0.38	0.90	0.80	0.61	0.39	0.93	0.83	0.63	0.41	0.94	0.84	0.64	0.41
		Delta T	22	20	16	11	22	20	16	11	22	20	16	11	22	20	17	11	22	20	16	11	20	19	15	11
		KW	2.47	2.52	2.60	2.68	2.65	2.71	2.79	2.88	2.82	2.88	2.97	3.06	2.96	3.02	3.12	3.22	3.08	3.15	3.25	3.35	3.18	3.25	3.36	3.47
		AMPS	9.1	9.3	9.6	10.0	9.8	10.0	10.4	10.8	10.7	10.9	11.3	11.7	11.4	11.7	12.1	12.5	12.2	12.5	12.9	13.4	12.9	13.2	13.7	14.2

AMPS=Outdoor unit amps (Comp.+Fan)

KW=Total system power

NOTE: Shaded area is ACCA (TVA) conditions

High and low pressures are measured at the liquid and suction service valves.

* Entering Indoor Dry Bulb Temperature

COOLING PERFORMANCE DATA

GSX130421B*

IDB* Airflow	Outdoor Ambient Temperature																																
	65					75					85					95					105					115							
	59	63	67	71	75	59	63	67	71	75	59	63	67	71	75	59	63	67	71	75	59	63	67	71	75	59	63	67	71	75			
1225	MBh	36.0	37.3	40.9	-	35.2	36.4	39.9	-	34.3	35.6	39.0	-	33.5	34.7	38.0	-	31.8	33.0	36.1	-	29.5	30.5	33.5	-	29.5	30.5	33.5	-	29.5	30.5	33.5	-
	S/T	0.69	0.57	0.40	-	0.71	0.59	0.41	-	0.73	0.61	0.42	-	0.75	0.63	0.44	-	0.78	0.65	0.45	-	0.79	0.66	0.46	-	0.79	0.66	0.46	-	0.79	0.66	0.46	-
	Delta T	19	16	12	-	19	16	12	-	19	16	12	-	19	16	12	-	19	16	12	-	19	16	12	-	19	16	12	-	19	16	12	-
	KW	2.78	2.84	2.92	-	2.98	3.04	3.13	-	3.15	3.21	3.31	-	3.30	3.37	3.47	-	3.43	3.50	3.61	-	3.54	3.61	3.73	-	3.54	3.61	3.73	-	3.54	3.61	3.73	-
	AMPS	10.7	10.9	11.2	-	11.5	11.8	12.1	-	12.5	12.7	13.2	-	13.3	13.6	14.0	-	14.1	14.5	14.9	-	14.9	15.3	15.8	-	14.9	15.3	15.8	-	14.9	15.3	15.8	-
	HI PR	209	225	238	-	235	253	267	-	267	288	304	-	304	328	346	-	343	369	389	-	378	407	430	-	378	407	430	-	378	407	430	-
	LOPR	101	107	117	-	106	113	124	-	111	118	129	-	116	124	135	-	122	130	141	-	126	134	146	-	126	134	146	-	126	134	146	-
	MBh	39.0	40.4	44.3	-	38.1	39.5	43.3	-	37.2	38.5	42.2	-	36.3	37.6	41.2	-	34.5	35.7	39.1	-	31.9	33.1	36.3	-	31.9	33.1	36.3	-	31.9	33.1	36.3	-
	S/T	0.71	0.59	0.41	-	0.74	0.62	0.43	-	0.76	0.63	0.44	-	0.78	0.65	0.45	-	0.81	0.68	0.47	-	0.82	0.68	0.47	-	0.82	0.68	0.47	-	0.82	0.68	0.47	-
	Delta T	18	16	12	-	18	16	12	-	18	16	12	-	19	16	12	-	18	16	12	-	17	15	11	-	17	15	11	-	17	15	11	-
1400	MBh	40.2	41.6	45.6	-	39.2	40.7	44.6	-	38.3	39.7	43.5	-	37.4	38.7	42.4	-	35.5	36.8	40.3	-	32.9	34.1	37.3	-	32.9	34.1	37.3	-	32.9	34.1	37.3	-
	S/T	0.75	0.62	0.43	-	0.77	0.65	0.45	-	0.79	0.66	0.46	-	0.82	0.68	0.47	-	0.85	0.71	0.49	-	0.86	0.72	0.50	-	0.86	0.72	0.50	-	0.86	0.72	0.50	-
	Delta T	18	15	11	-	18	15	12	-	18	15	12	-	18	15	12	-	18	15	12	-	18	14	11	-	18	14	11	-	18	14	11	-
	KW	2.84	2.90	2.98	-	3.05	3.11	3.20	-	3.22	3.29	3.39	-	3.38	3.45	3.55	-	3.51	3.58	3.70	-	3.63	3.70	3.82	-	3.63	3.70	3.82	-	3.63	3.70	3.82	-
	AMPS	10.9	11.2	11.6	-	11.8	12.1	12.5	-	12.8	13.1	13.5	-	13.7	14.0	14.4	-	14.5	14.9	15.3	-	15.4	15.7	16.2	-	15.4	15.7	16.2	-	15.4	15.7	16.2	-
	HI PR	216	232	245	-	242	261	275	-	276	297	313	-	314	338	357	-	353	380	401	-	390	420	443	-	390	420	443	-	390	420	443	-
	LOPR	104	111	121	-	110	117	127	-	114	121	132	-	120	127	139	-	126	134	146	-	130	138	151	-	130	138	151	-	130	138	151	-
	MBh	40.2	41.6	45.6	-	39.2	40.7	44.6	-	38.3	39.7	43.5	-	37.4	38.7	42.4	-	35.5	36.8	40.3	-	32.9	34.1	37.3	-	32.9	34.1	37.3	-	32.9	34.1	37.3	-
	S/T	0.75	0.62	0.43	-	0.77	0.65	0.45	-	0.79	0.66	0.46	-	0.82	0.68	0.47	-	0.85	0.71	0.49	-	0.86	0.72	0.50	-	0.86	0.72	0.50	-	0.86	0.72	0.50	-
	Delta T	18	15	11	-	18	15	12	-	18	15	12	-	18	15	12	-	18	15	12	-	18	14	11	-	18	14	11	-	18	14	11	-
1575	MBh	40.2	41.6	45.6	-	39.2	40.7	44.6	-	38.3	39.7	43.5	-	37.4	38.7	42.4	-	35.5	36.8	40.3	-	32.9	34.1	37.3	-	32.9	34.1	37.3	-	32.9	34.1	37.3	-
	S/T	0.75	0.62	0.43	-	0.77	0.65	0.45	-	0.79	0.66	0.46	-	0.82	0.68	0.47	-	0.85	0.71	0.49	-	0.86	0.72	0.50	-	0.86	0.72	0.50	-	0.86	0.72	0.50	-
	Delta T	18	15	11	-	18	15	12	-	18	15	12	-	18	15	12	-	18	15	12	-	18	14	11	-	18	14	11	-	18	14	11	-
	KW	2.87	2.92	3.01	-	3.07	3.13	3.22	-	3.25	3.31	3.41	-	3.41	3.48	3.58	-	3.54	3.61	3.73	-	3.66	3.73	3.85	-	3.66	3.73	3.85	-	3.66	3.73	3.85	-
	AMPS	11.0	11.3	11.7	-	11.9	12.2	12.6	-	12.9	13.2	13.6	-	13.8	14.1	14.6	-	14.6	15.0	15.5	-	15.5	15.9	16.4	-	15.5	15.9	16.4	-	15.5	15.9	16.4	-
	HI PR	218	235	248	-	245	263	278	-	278	300	316	-	317	341	360	-	357	384	405	-	394	424	448	-	394	424	448	-	394	424	448	-
	LOPR	105	112	122	-	111	118	129	-	115	123	134	-	121	129	141	-	127	135	147	-	131	140	152	-	131	140	152	-	131	140	152	-

IDB* Airflow	Outdoor Ambient Temperature																																
	65					75					85					95					105					115							
	59	63	67	71	75	59	63	67	71	75	59	63	67	71	75	59	63	67	71	75	59	63	67	71	75	59	63	67	71	75			
1225	MBh	36.6	37.7	40.8	43.8	35.8	36.8	39.9	42.8	34.9	35.9	38.9	41.8	34.1	35.1	38.0	40.7	32.4	33.3	36.1	38.7	30.0	30.9	33.4	35.8	30.0	30.9	33.4	35.8	30.0	30.9	33.4	35.8
	S/T	0.78	0.70	0.53	0.34	0.81	0.72	0.55	0.35	0.83	0.74	0.56	0.36	0.86	0.77	0.58	0.37	0.89	0.79	0.60	0.39	0.90	0.80	0.61	0.39	0.90	0.80	0.61	0.39	0.90	0.80	0.61	0.39
	Delta T	21	20	16	11	22	20	16	11	22	20	16	11	22	20	17	11	22	20	16	11	22	20	16	11	22	20	16	11	22	20	16	11
	KW	2.80	2.86	2.94	3.03	3.00	3.06	3.15	3.24	3.17	3.24	3.33	3.44	3.33	3.39	3.50	3.61	3.46	3.53	3.64	3.75	3.57	3.64	3.76	3.88	3.57	3.64	3.76	3.88	3.57	3.64	3.76	3.88
	AMPS	10.8	11.0	11.3	11.8	11.6	11.9	12.2	12.7	12.6	12.9	13.3	13.8	13.4	13.7	14.2	14.7	14.2	14.6	15.1	15.6	15.1	15.4	15.9	16.5	15.1	15.4	15.9	16.5	15.1	15.4	15.9	16.5
	HI PR	212	228	240	251	237	256	270	281	270	291	307	320	308	331	350	365	346	372	393	410	382	411	434	453	382	411	434	453	382	411	434	453
	LOPR	102	108	118	126	108	114	125	133	112	119	130	138	117	125	136	145	123	131	143	152	127	135	148	157	127	135	148	157	127	135	148	157
	MBh	39.7	40.8	44.2	47.4	38.7	39.9	43.2	46.3	37.8	38.9	42.2	45.2	36.9	38.0	41.1	44.1	35.1	36.1	39.1	41.9	32.5	33.4	36.2	38.8	32.5	33.4	36.2	38.8	32.5	33.4	36.2	38.8
	S/T	0.81	0.72	0.55	0.35	0.84	0.75	0.57	0.37	0.86	0.77	0.58	0.37	0.89	0.79	0.60	0.39	0.92	0.82	0.62	0.40	0.93	0.83	0.63	0.40	0.93	0.83	0.63	0.40	0.93	0.83	0.63	0.40
	Delta T	21	19	16	11	21	20	16	11	21	20	16	11	22	20	16	11	21	20	16	11	21	20	16	11	21	20	16	11	21	20	16	11
1400	MBh	40.9	42.1	45.5	48.9	39.9	41.1	44.5	47.7	39.0	40.1	43.4	46.6	38.0	39.1	42.4	45.5	36.1	37.2	40.2	43.2	33.4	34.4	37.3	40.0	33.4	34.4	37.3	40.0	33.4	34.4	37.3	40.0
	S/T	0.85	0.76	0.57	0.37	0.88	0.79	0.60	0.38	0.90	0.81	0.61	0.39	0.93	0.83	0.63	0.41	0.97	0.86	0.65	0.42	0.97	0.87	0.66	0.42	0.97	0.87	0.66	0.42	0.97	0.87	0.66	0.42
	Delta T	20	19	15	11	20	19	15	11	21	19	15	11	21	19	16	11	21	20	16	11	21	19	16	11	21	19	16	11	21	19	16	11
	KW	2.89	2.94	3.03	3.12	3.09	3.15	3.25	3.35	3.27	3.34	3.44	3.55	3.43	3.50	3.61	3.72	3.57	3.64	3.75	3.87	3.68	3.76	3.88	4.00	3.68	3.76	3.88	4.00	3.68	3.76	3.88	4.00
	AMPS	11.1	11.4	11.8	12.2</																												

COOLING PERFORMANCE DATA

GSX130421B*

MODEL: GVSX130421B* / CA*F3642*6C*

EXPANDED PERFORMANCE DATA

COOLING OPERATION

IDB*	Airflow	Outdoor Ambient Temperature																								
		65				75				85				95				105				115				
		59	63	67	71	59	63	67	71	59	63	67	71	59	63	67	71	59	63	67	71	59	63	67	71	
80	1225	MBh	37.3	38.1	40.7	43.5	36.4	37.2	39.7	42.5	35.5	36.3	38.8	41.5	34.7	35.4	37.8	40.5	32.9	33.6	36.0	38.4	30.5	31.2	33.3	35.6
		S/T	0.86	0.80	0.65	0.49	0.89	0.83	0.68	0.51	0.91	0.85	0.69	0.52	0.94	0.88	0.72	0.54	0.97	0.91	0.74	0.56	0.98	0.92	0.75	0.56
		Delta T	24	23	20	16	24	23	20	16	24	23	20	16	24	23	20	16	24	23	20	16	22	22	19	15
		KW	2.82	2.88	2.96	3.05	3.02	3.08	3.17	3.27	3.20	3.26	3.36	3.46	3.35	3.42	3.53	3.64	3.48	3.56	3.67	3.78	3.60	3.67	3.79	3.91
		AMPS	10.8	11.1	11.4	11.9	11.7	12.0	12.4	12.8	12.7	13.0	13.4	13.9	13.5	13.8	14.3	14.8	14.4	14.7	15.2	15.8	15.2	15.6	16.1	16.7
		HI PR	214	230	243	253	240	258	273	284	273	294	310	323	311	334	353	368	350	376	397	414	386	416	439	458
		LO PR	103	109	119	127	109	116	126	134	113	120	131	140	119	126	138	147	124	132	144	154	129	137	149	159
		MBh	40.4	41.3	44.1	47.1	39.4	40.3	43.1	46.0	38.5	39.3	42.0	44.9	37.6	38.4	41.0	43.8	35.7	36.5	39.0	41.6	33.0	33.8	36.1	38.6
		S/T	0.89	0.83	0.68	0.51	0.92	0.86	0.70	0.52	0.94	0.88	0.72	0.54	0.97	0.91	0.74	0.56	1.00	0.95	0.77	0.58	1.00	0.96	0.78	0.58
		Delta T	24	23	20	16	24	23	20	16	24	23	20	16	24	23	20	16	23	23	20	16	22	21	18	15
1400	1400	KW	2.89	2.94	3.03	3.12	3.09	3.15	3.25	3.35	3.27	3.34	3.44	3.55	3.43	3.50	3.61	3.72	3.57	3.64	3.76	3.88	3.68	3.76	3.88	4.01
		AMPS	11.1	11.4	11.8	12.2	12.0	12.3	12.7	13.2	13.0	13.3	13.8	14.3	13.9	14.2	14.7	15.2	14.8	15.1	15.6	16.2	15.6	16.0	16.5	17.2
		HI PR	220	237	250	261	247	266	281	293	281	303	320	333	320	345	364	380	360	388	410	427	398	428	452	472
		LO PR	106	113	123	131	112	119	130	139	116	124	135	144	122	130	142	151	128	136	149	158	133	141	154	164
		MBh	41.6	42.5	45.4	48.5	40.6	41.5	44.3	47.4	39.6	40.5	43.3	46.3	38.7	39.5	42.2	45.1	36.7	37.6	40.1	42.9	34.0	34.8	37.2	39.7
		S/T	0.93	0.87	0.71	0.53	0.96	0.90	0.74	0.55	1.00	0.93	0.75	0.56	1.00	0.96	0.78	0.58	1.00	1.00	0.81	0.60	1.00	1.00	0.82	0.61
		Delta T	23	22	19	15	23	22	19	15	23	22	19	15	23	22	19	15	21	22	19	15	20	20	18	14
		KW	2.91	2.96	3.05	3.14	3.11	3.18	3.27	3.37	3.30	3.36	3.47	3.58	3.46	3.53	3.64	3.75	3.60	3.67	3.79	3.91	3.71	3.79	3.91	4.04
		AMPS	11.2	11.5	11.9	12.3	12.1	12.4	12.8	13.3	13.1	13.5	13.9	14.4	14.0	14.4	14.8	15.4	14.9	15.3	15.8	16.4	15.8	16.2	16.7	17.3
		HI PR	223	240	253	264	250	268	284	296	284	306	323	337	324	348	368	383	364	392	414	431	402	433	457	477
LO PR	107	114	124	132	113	120	131	140	118	125	137	145	123	131	143	153	129	138	150	160	134	142	155	166		
85	1225	MBh	37.9	38.6	40.5	43.2	37.0	37.7	39.5	42.2	36.2	36.9	38.6	41.2	35.3	36.0	37.7	40.2	33.5	34.2	35.8	38.2	31.0	31.6	33.1	35.4
		S/T	0.90	0.87	0.78	0.63	0.93	0.90	0.81	0.66	0.95	0.92	0.83	0.67	0.98	0.95	0.86	0.70	1.00	0.99	0.89	0.72	1.00	0.99	0.90	0.73
		Delta T	26	25	24	21	26	25	24	21	26	25	24	21	26	26	24	21	25	25	24	21	23	24	22	19
		KW	2.84	2.90	2.98	3.07	3.04	3.11	3.20	3.29	3.22	3.29	3.39	3.49	3.38	3.45	3.55	3.66	3.51	3.58	3.70	3.81	3.63	3.70	3.82	3.94
		AMPS	10.9	11.2	11.6	12.0	11.8	12.1	12.5	12.9	12.8	13.1	13.5	14.0	13.6	14.0	14.4	15.0	14.5	14.9	15.3	15.9	15.4	15.7	16.2	16.8
		HI PR	216	232	245	256	242	261	275	287	276	297	313	327	314	338	357	372	353	380	401	418	390	420	443	462
		LO PR	104	110	121	128	110	117	127	136	114	121	132	141	120	127	139	148	126	134	146	155	130	138	151	161
		MBh	41.1	41.9	43.9	46.8	40.1	40.9	42.8	45.7	39.2	39.9	41.8	44.6	38.2	39.0	40.8	43.5	36.3	37.0	38.8	41.3	33.6	34.3	35.9	38.3
		S/T	0.93	0.90	0.81	0.66	0.96	0.93	0.84	0.68	0.99	0.95	0.86	0.70	1.00	0.98	0.89	0.72	1.00	1.00	0.92	0.75	1.00	1.00	0.93	0.75
		Delta T	25	25	23	20	25	25	24	20	25	25	24	20	25	25	24	21	24	24	23	20	22	23	22	19
1400	1400	KW	2.91	2.96	3.05	3.14	3.11	3.18	3.27	3.37	3.30	3.36	3.47	3.58	3.46	3.53	3.64	3.75	3.60	3.67	3.79	3.91	3.71	3.79	3.91	4.04
		AMPS	11.2	11.5	11.9	12.3	12.1	12.4	12.8	13.3	13.1	13.5	13.9	14.4	14.0	14.4	14.8	15.4	14.9	15.3	15.8	16.4	15.8	16.2	16.7	17.3
		HI PR	223	240	253	264	250	268	284	296	284	306	323	337	324	348	368	383	364	392	414	431	402	433	457	477
		LO PR	107	114	124	132	113	120	131	140	118	125	137	145	123	131	143	153	129	138	150	160	134	142	155	166
		MBh	42.3	43.1	45.2	48.2	41.3	42.1	44.1	47.1	40.3	41.1	43.1	45.9	39.4	40.1	42.0	44.8	37.4	38.1	39.9	42.6	34.6	35.3	37.0	39.4
		S/T	0.98	0.94	0.85	0.69	1.00	0.98	0.88	0.71	1.00	1.00	0.90	0.73	1.00	1.00	0.93	0.76	1.00	1.00	0.97	0.78	1.00	1.00	0.98	0.79
		Delta T	24	24	22	19	24	24	23	20	24	24	23	20	23	23	23	20	22	22	23	20	20	21	21	18
		KW	2.93	2.99	3.07	3.17	3.14	3.20	3.30	3.40	3.32	3.39	3.49	3.60	3.49	3.56	3.67	3.78	3.62	3.70	3.82	3.94	3.74	3.82	3.94	4.07
		AMPS	11.3	11.6	12.0	12.4	12.2	12.5	12.9	13.4	13.3	13.6	14.0	14.5	14.2	14.5	15.0	15.5	15.0	15.4	15.9	16.5	15.9	16.3	16.9	17.5
		HI PR	225	242	255	266	252	271	287	299	287	309	326	340	327	352	371	387	368	396	418	436	406	437	462	481
LO PR	108	115	126	134	114	122	133	141	119	126	138	147	125	133	145	154	131	139	152	162	135	144	157	167		

AMPS=outdoor unit amps (comp.+fan)

NOTE: Shaded area is AHR1 Rating Conditions

* Entering Indoor Dry Bulb Temperature

COOLING PERFORMANCE DATA

GSX130481B*

IDB*	Airflow	Outdoor Ambient Temperature																													
		65					75					85					95					105					115				
		59	63	67	71	75	59	63	67	71	75	59	63	67	71	75	59	63	67	71	75	59	63	67	71	75	59	63	67	71	75
70	1400	MBh	40.4	41.9	45.9	-	39.5	40.9	44.8	-	38.5	39.9	43.7	-	37.6	38.9	42.7	-	35.7	37.0	40.5	-	33.1	34.3	37.5	-					
		S/T	0.71	0.59	0.41	-	0.73	0.61	0.42	-	0.75	0.63	0.44	-	0.78	0.65	0.45	-	0.81	0.67	0.47	-	0.81	0.68	0.47	-					
		Delta T	19	16	12	-	19	16	12	-	19	16	13	-	19	17	13	-	19	16	12	-	18	15	12	-					
		KW	3.17	3.23	3.32	-	3.39	3.46	3.56	-	3.59	3.66	3.77	-	3.77	3.84	3.96	-	3.91	4.00	4.12	-	4.04	4.13	4.26	-					
		AMPS	11.6	11.9	12.3	-	12.6	12.9	13.3	-	13.7	14.0	14.5	-	14.6	15.0	15.5	-	15.5	15.9	16.5	-	16.5	16.9	17.4	-					
		HIPR	215	231	244	-	241	259	274	-	274	295	311	-	312	336	354	-	351	377	399	-	388	417	440	-					
LOPR	104	111	121	-	110	117	128	-	115	122	133	-	120	128	140	-	126	134	146	-	130	139	151	-							
70	1600	MBh	43.8	45.4	49.7	-	42.7	44.3	48.5	-	41.7	43.2	47.4	-	40.7	42.2	46.2	-	38.7	40.1	43.9	-	35.8	37.1	40.7	-					
		S/T	0.73	0.61	0.43	-	0.76	0.64	0.44	-	0.78	0.65	0.45	-	0.81	0.67	0.47	-	0.84	0.70	0.48	-	0.84	0.70	0.49	-					
		Delta T	18	16	12	-	19	16	12	-	19	16	12	-	19	16	12	-	19	16	12	-	17	15	11	-					
		KW	3.24	3.30	3.40	-	3.47	3.54	3.65	-	3.67	3.75	3.87	-	3.86	3.94	4.06	-	4.01	4.09	4.22	-	4.14	4.23	4.36	-					
		AMPS	12.0	12.3	12.7	-	12.9	13.2	13.7	-	14.1	14.4	14.9	-	15.0	15.4	15.9	-	16.0	16.4	16.9	-	16.9	17.4	17.9	-					
		HIPR	221	238	251	-	248	267	282	-	282	304	321	-	321	346	365	-	362	389	411	-	400	430	454	-					
LOPR	108	114	125	-	114	121	132	-	118	126	137	-	124	132	144	-	130	138	151	-	134	143	156	-							
70	1800	MBh	45.1	46.7	51.2	-	44.0	45.6	50.0	-	43.0	44.5	48.8	-	41.9	43.5	47.6	-	39.8	41.3	45.2	-	36.9	38.2	41.9	-					
		S/T	0.77	0.64	0.45	-	0.80	0.67	0.46	-	0.82	0.68	0.47	-	0.85	0.71	0.49	-	0.88	0.73	0.51	-	0.88	0.74	0.51	-					
		Delta T	18	15	12	-	18	16	12	-	18	16	12	-	18	16	12	-	18	15	12	-	17	14	11	-					
		KW	3.26	3.33	3.42	-	3.50	3.57	3.67	-	3.70	3.78	3.90	-	3.89	3.97	4.09	-	4.04	4.13	4.26	-	4.18	4.26	4.40	-					
		AMPS	12.1	12.4	12.8	-	13.0	13.4	13.8	-	14.2	14.5	15.0	-	15.2	15.5	16.0	-	16.1	16.5	17.1	-	17.1	17.5	18.1	-					
		HIPR	223	240	254	-	251	270	285	-	285	307	324	-	325	349	369	-	365	393	415	-	404	434	459	-					
LOPR	109	116	126	-	115	122	133	-	119	127	139	-	125	133	146	-	131	140	152	-	136	144	158	-							

IDB*	Airflow	Outdoor Ambient Temperature																													
		65					75					85					95					105					115				
		59	63	67	71	75	59	63	67	71	75	59	63	67	71	75	59	63	67	71	75	59	63	67	71	75	59	63	67	71	75
75	1400	MBh	41.1	42.3	45.8	49.1	40.1	41.3	44.7	48.0	39.2	40.3	43.7	46.8	38.2	39.3	42.6	45.7	36.3	37.4	40.5	43.4	33.6	34.6	37.5	40.2					
		S/T	0.81	0.72	0.55	0.35	0.83	0.75	0.56	0.36	0.86	0.77	0.58	0.37	0.88	0.79	0.60	0.38	0.92	0.82	0.62	0.40	0.92	0.86	0.63	0.40					
		Delta T	22	20	16	11	22	20	17	11	22	20	17	11	22	20	17	12	22	20	16	11	20	19	15	11					
		KW	3.19	3.25	3.35	3.45	3.42	3.49	3.59	3.70	3.62	3.69	3.80	3.92	3.79	3.87	3.99	4.12	3.95	4.03	4.15	4.29	4.08	4.16	4.29	4.43					
		AMPS	11.7	12.0	12.4	12.9	12.7	13.0	13.4	13.9	13.8	14.1	14.6	15.1	14.7	15.1	15.6	16.2	15.7	16.1	16.6	17.2	16.6	17.0	17.6	18.3					
		HIPR	217	233	246	257	243	262	276	288	277	298	314	328	315	339	358	373	354	381	403	420	391	421	445	464					
LOPR	105	112	122	130	111	118	129	138	116	123	134	143	122	129	141	150	127	136	148	158	132	140	153	163							
75	1600	MBh	44.5	45.8	49.6	53.2	43.5	44.8	48.4	52.0	42.4	43.7	47.3	50.8	41.4	42.6	46.1	49.5	39.3	40.5	43.8	47.0	36.4	37.5	40.6	43.6					
		S/T	0.84	0.75	0.57	0.36	0.87	0.77	0.59	0.38	0.89	0.79	0.60	0.39	0.92	0.82	0.62	0.40	0.95	0.85	0.64	0.41	0.96	0.86	0.65	0.42					
		Delta T	21	20	16	11	22	20	16	11	22	20	16	11	22	20	16	11	21	20	16	11	20	18	15	10					
		KW	3.26	3.33	3.42	3.53	3.50	3.57	3.68	3.79	3.70	3.78	3.90	4.02	3.89	3.97	4.09	4.22	4.04	4.13	4.26	4.39	4.18	4.26	4.40	4.54					
		AMPS	12.1	12.4	12.8	13.2	13.1	13.4	13.8	14.3	14.2	14.5	15.0	15.6	15.2	15.5	16.1	16.7	16.1	16.5	17.1	17.7	17.1	17.5	18.1	18.8					
		HIPR	223	240	254	265	251	270	285	297	285	307	324	338	325	349	369	385	365	393	415	433	404	434	459	478					
LOPR	109	116	126	134	115	122	133	142	119	127	139	148	125	133	146	155	131	140	153	162	136	145	158	168							
75	1800	MBh	45.8	47.2	51.1	54.8	44.8	46.1	49.9	53.6	43.7	45.0	48.7	52.3	42.6	43.9	47.5	51.0	40.5	41.7	45.1	48.5	37.5	38.6	41.8	44.9					
		S/T	0.88	0.78	0.59	0.38	0.91	0.81	0.61	0.40	0.93	0.83	0.63	0.41	0.96	0.86	0.65	0.42	1.00	0.89	0.67	0.43	1.00	0.90	0.68	0.44					
		Delta T	21	19	15	11	21	19	16	11	21	19	16	11	21	19	16	11	21	19	16	11	19	18	15	10					
		KW	3.29	3.35	3.45	3.55	3.52	3.59	3.70	3.82	3.73	3.81	3.93	4.05	3.92	4.00	4.12	4.26	4.07	4.16	4.29	4.43	4.21	4.30	4.44	4.58					
		AMPS	12.2	12.5	12.9	13.4	13.2	13.5	13.9	14.5	14.3	14.7	15.1	15.7	15.3	15.7	16.2	16.8	16.3	16.7	17.2	17.9	17.3	17.7	18.3	19.0					
		HIPR	226	243	256	267	253	272	288	300	288	310	327	341	328	353	373	389	369	397	419	437	408	439	463	483					
LOPR	110	117	127	136	116	123	135	143	120	128	140	149	127	135	147	157	133	141	154	164	137	146	159	170							

* Entering Indoor Dry Bulb Temperature
 High and low pressures are measured at the liquid and suction service valves.
 NOTE: Shaded area is ACCA (TVA) conditions
 AMP S=Outdoor unit amps (comp.+fan)
 KW=Total system power

COOLING PERFORMANCE DATA

GSX130481B*

MODEL: GSX130481B* / CA*F4860*6B*

EXPANDED PERFORMANCE DATA

COOLING OPERATION

IDB*	Airflow	Outdoor Ambient Temperature																								
		65				75				85				95				105				115				
		59	63	67	71	59	63	67	71	59	63	67	71	59	63	67	71	59	63	67	71	59	63	67	71	
80	1400	MBh	41.8	42.7	45.6	48.8	40.8	41.7	44.6	47.7	39.9	40.7	43.5	46.5	38.9	39.7	42.5	45.4	36.9	37.8	40.3	43.1	34.2	35.0	37.4	39.9
		S/T	0.88	0.83	0.67	0.50	0.92	0.86	0.70	0.52	0.94	0.88	0.72	0.54	0.97	0.91	0.74	0.55	1.01	0.94	0.77	0.57	1.01	0.95	0.77	0.58
		Delta T	24	23	20	16	25	24	20	16	25	24	20	16	25	24	21	16	24	23	20	16	23	22	19	15
		KW	3.21	3.28	3.37	3.47	3.44	3.51	3.62	3.73	3.65	3.72	3.83	3.95	3.82	3.90	4.03	4.15	3.98	4.06	4.19	4.32	4.11	4.20	4.33	4.47
		AMPS	11.9	12.1	12.5	13.0	12.8	13.1	13.6	14.1	13.9	14.3	14.7	15.3	14.9	15.2	15.8	16.3	15.8	16.2	16.8	17.4	16.8	17.2	17.8	18.5
		HIPR	219	236	249	259	246	264	279	291	279	301	317	331	318	342	362	377	358	385	407	424	395	426	449	469
		LOPR	106	113	124	132	112	120	131	139	117	124	136	145	123	131	143	152	129	137	149	159	133	142	155	165
		MBh	45.3	46.3	49.5	52.9	44.2	45.2	48.3	51.6	43.2	44.1	47.2	50.4	42.1	43.1	46.0	49.2	40.0	40.9	43.7	46.7	37.1	37.9	40.5	43.3
		S/T	0.92	0.86	0.70	0.52	0.95	0.89	0.72	0.54	0.97	0.91	0.74	0.56	1.00	0.94	0.77	0.57	1.00	0.98	0.80	0.60	1.00	0.99	0.80	0.60
		Delta T	24	23	20	16	24	23	20	16	24	23	20	16	24	23	20	16	23	23	20	16	21	21	19	15
80	1600	KW	3.29	3.35	3.45	3.56	3.52	3.59	3.70	3.82	3.73	3.81	3.93	4.05	3.92	4.00	4.12	4.26	4.07	4.16	4.29	4.43	4.21	4.30	4.44	4.58
		AMPS	12.2	12.5	12.9	13.4	13.2	13.5	13.9	14.5	14.3	14.7	15.2	15.7	15.3	15.7	16.2	16.8	16.3	16.7	17.3	17.9	17.3	17.7	18.3	19.0
		HIPR	226	243	256	267	253	272	288	300	288	310	327	341	328	353	373	389	369	397	419	437	408	439	463	483
		LOPR	110	117	127	136	116	123	135	143	120	128	140	149	127	135	147	157	133	141	154	164	137	146	159	170
		MBh	46.7	47.7	50.9	54.4	45.6	46.6	49.7	53.2	44.5	45.5	48.6	51.9	43.4	44.3	47.4	50.6	41.2	42.1	45.0	48.1	38.2	39.0	41.7	44.6
		S/T	0.96	0.90	0.73	0.55	1.00	0.93	0.76	0.57	1.00	0.96	0.78	0.58	1.00	1.00	0.80	0.60	1.00	1.00	0.83	0.62	1.00	1.00	0.84	0.63
		Delta T	23	22	19	15	23	22	19	15	23	22	19	15	22	23	19	16	21	22	19	15	20	20	18	14
		KW	3.31	3.38	3.48	3.58	3.55	3.62	3.73	3.85	3.76	3.84	3.96	4.08	3.95	4.03	4.16	4.29	4.11	4.19	4.33	4.47	4.24	4.33	4.47	4.62
		AMPS	12.3	12.6	13.0	13.5	13.3	13.6	14.1	14.6	14.4	14.8	15.3	15.9	15.4	15.8	16.4	17.0	16.4	16.8	17.4	18.1	17.4	17.9	18.5	19.2
		HIPR	228	245	259	270	256	275	291	303	291	313	331	345	331	356	376	393	373	401	423	442	412	443	468	488
LOPR	111	118	129	137	117	125	136	145	122	129	141	151	128	136	148	158	134	143	156	166	139	147	161	171		
85	1400	MBh	42.5	43.4	45.4	48.5	41.5	42.4	44.4	47.3	40.6	41.3	43.3	46.2	39.6	40.3	42.2	45.1	37.6	38.3	40.1	42.8	34.8	35.5	37.2	39.7
		S/T	0.93	0.89	0.81	0.65	0.96	0.93	0.84	0.68	0.98	0.95	0.86	0.70	1.00	0.98	0.88	0.72	1.00	1.00	0.92	0.74	1.00	1.00	0.93	0.75
		Delta T	26	25	24	21	26	26	24	21	26	26	24	21	26	26	25	21	25	25	24	21	23	23	23	20
		KW	3.24	3.30	3.40	3.50	3.47	3.54	3.65	3.76	3.67	3.75	3.86	3.99	3.85	3.94	4.06	4.19	4.01	4.09	4.22	4.36	4.14	4.23	4.36	4.50
		AMPS	12.0	12.2	12.6	13.1	12.9	13.2	13.7	14.2	14.0	14.4	14.9	15.4	15.0	15.4	15.9	16.5	16.0	16.4	16.9	17.6	16.9	17.4	17.9	18.6
		HIPR	221	238	251	262	248	267	282	294	282	304	321	334	321	346	365	381	361	389	411	428	399	430	454	473
		LOPR	108	114	125	133	114	121	132	140	118	126	137	146	124	132	144	153	130	138	151	161	134	143	156	166
		MBh	46.1	47.0	49.2	52.5	45.0	45.9	48.1	51.3	43.9	44.8	46.9	50.1	42.9	43.7	45.8	48.8	40.7	41.5	43.5	46.4	37.7	38.5	40.3	43.0
		S/T	0.96	0.93	0.84	0.68	1.00	0.96	0.87	0.70	1.00	0.98	0.89	0.72	1.00	1.00	0.92	0.74	1.00	1.00	0.95	0.77	1.00	1.00	0.96	0.78
		Delta T	25	25	24	20	26	25	24	21	25	25	24	21	25	25	24	21	23	24	24	21	22	22	22	19
85	1600	KW	3.31	3.38	3.48	3.58	3.55	3.62	3.73	3.85	3.76	3.84	3.96	4.08	3.95	4.03	4.16	4.29	4.11	4.19	4.33	4.47	4.24	4.33	4.47	4.62
		AMPS	12.3	12.6	13.0	13.5	13.3	13.6	14.1	14.6	14.4	14.8	15.3	15.9	15.4	15.8	16.4	17.0	16.4	16.8	17.4	18.1	17.4	17.9	18.5	19.2
		HIPR	228	245	259	270	256	275	291	303	291	313	331	345	331	356	376	393	373	401	423	442	412	443	468	488
		LOPR	111	118	129	137	117	125	136	145	122	129	141	151	128	136	148	158	134	143	156	166	139	147	161	171
		MBh	47.5	48.4	50.7	54.1	46.4	47.3	49.5	52.8	45.3	46.1	48.3	51.6	44.2	45.0	47.1	50.3	42.0	42.8	44.8	47.8	38.9	39.6	41.5	44.3
		S/T	1.00	0.97	0.88	0.71	1.00	1.00	0.91	0.74	1.00	1.00	0.93	0.76	1.00	1.00	0.96	0.78	1.00	1.00	1.00	0.81	1.00	1.00	1.00	0.82
		Delta T	24	24	23	20	24	24	23	20	23	24	23	20	23	23	23	20	21	22	23	20	20	20	20	18
		KW	3.34	3.40	3.50	3.61	3.58	3.65	3.76	3.88	3.79	3.87	3.99	4.11	3.98	4.06	4.19	4.32	4.14	4.23	4.36	4.50	4.28	4.37	4.51	4.65
		AMPS	12.4	12.7	13.1	13.6	13.4	13.7	14.2	14.7	14.6	14.9	15.4	16.0	15.6	16.0	16.5	17.1	16.6	17.0	17.6	18.2	17.6	18.0	18.6	19.3
		HIPR	230	248	262	273	258	278	294	306	294	316	334	348	335	360	380	397	376	405	428	446	416	448	473	493
LOPR	112	119	130	138	118	126	137	146	123	131	143	152	129	137	150	160	135	144	157	167	140	149	163	173		

* Entering Indoor Dry Bulb Temperature
 High and low pressures are measured at the liquid and suction service valves.
 NOTE: Shaded area is AHR1 Rating Conditions
 AMPS=Total system power
 KW=Total system power
 AMPs=Outdoor unit amps (comp.+fan)

EXPANDED PERFORMANCE DATA

COOLING OPERATION

COOLING PERFORMANCE DATA

GSX130601B*

IDB*	Airflow	Outdoor Ambient Temperature																								
		75				85				95				105				115								
		59	63	67	71	59	63	67	71	59	63	67	71	59	63	67	71	59	63	67	71					
70	1500	MBh	50.1	51.9	56.8	-	48.9	50.7	55.5	-	47.7	49.5	54.2	-	46.6	48.3	52.9	-	44.2	45.8	50.2	-	41.0	42.5	46.5	-
		S/T	0.67	0.56	0.39	-	0.69	0.58	0.40	-	0.71	0.59	0.41	-	0.73	0.61	0.42	-	0.76	0.64	0.44	-	0.77	0.64	0.44	-
		Delta T	21	18	13	-	21	18	14	-	21	18	14	-	21	18	14	-	21	18	14	-	19	17	13	-
		KW	3.87	3.95	4.07	-	4.16	4.24	4.38	-	4.41	4.50	4.65	-	4.63	4.73	4.89	-	4.82	4.93	5.09	-	4.99	5.10	5.26	-
		AMPS	14.4	14.8	15.3	-	15.6	16.0	16.5	-	17.0	17.4	18.0	-	18.2	18.6	19.2	-	19.3	19.8	20.5	-	20.5	21.0	21.7	-
	1750	HIPR	229	246	260	-	257	276	292	-	292	314	332	-	333	358	378	-	374	403	425	-	413	445	470	-
		LO PR	101	108	118	-	107	114	125	-	111	119	129	-	117	125	136	-	123	130	142	-	127	135	147	-
		MBh	54.2	56.2	61.6	-	53.0	54.9	60.1	-	51.7	53.6	58.7	-	50.4	52.3	57.3	-	47.9	49.7	54.4	-	44.4	46.0	50.4	-
		S/T	0.69	0.58	0.40	-	0.72	0.60	0.42	-	0.74	0.62	0.43	-	0.76	0.64	0.44	-	0.79	0.66	0.46	-	0.80	0.66	0.46	-
		Delta T	20	17	13	-	20	17	13	-	20	17	13	-	20	17	13	-	20	17	13	-	19	16	12	-
2000	KW	3.96	4.04	4.17	-	4.26	4.35	4.48	-	4.52	4.62	4.76	-	4.75	4.85	5.01	-	4.95	5.05	5.22	-	5.12	5.23	5.40	-	
	AMPS	14.8	15.2	15.7	-	16.1	16.4	17.0	-	17.5	17.9	18.5	-	18.7	19.1	19.8	-	19.9	20.4	21.1	-	21.1	21.6	22.4	-	
	HIPR	236	254	268	-	265	285	301	-	301	324	342	-	343	369	390	-	386	415	438	-	426	459	484	-	
	LO PR	105	111	122	-	111	118	128	-	115	122	133	-	121	128	140	-	126	135	147	-	131	139	152	-	
	MBh	55.9	57.9	63.4	-	54.6	56.5	62.0	-	53.3	55.2	60.5	-	52.0	53.9	59.0	-	49.4	51.2	56.1	-	45.7	47.4	51.9	-	

IDB*	Airflow	Outdoor Ambient Temperature																								
		75				85				95				105				115								
		59	63	67	71	59	63	67	71	59	63	67	71	59	63	67	71	59	63	67	71					
75	1500	MBh	50.9	52.4	56.7	60.9	49.7	51.2	55.4	59.5	48.5	50.0	54.1	58.1	47.3	48.8	52.8	56.6	45.0	46.3	50.1	53.8	41.7	42.9	46.4	49.8
		S/T	0.76	0.68	0.51	0.33	0.79	0.70	0.53	0.34	0.81	0.72	0.55	0.35	0.83	0.75	0.56	0.36	0.87	0.77	0.59	0.38	0.87	0.78	0.59	0.38
		Delta T	24	22	18	12	24	22	18	13	24	22	18	13	24	22	18	13	24	22	18	12	22	21	17	12
		KW	3.90	3.98	4.10	4.23	4.19	4.28	4.41	4.55	4.45	4.54	4.68	4.84	4.67	4.77	4.93	5.09	4.86	4.97	5.13	5.30	5.03	5.14	5.31	5.48
		AMPS	14.6	14.9	15.4	16.0	15.8	16.1	16.7	17.3	17.1	17.6	18.1	18.8	18.3	18.8	19.4	20.2	19.5	20.0	20.7	21.5	20.7	21.2	21.9	22.8
	1750	HIPR	231	249	263	274	259	279	295	307	295	317	335	350	336	362	382	398	378	407	430	448	418	449	475	495
		LO PR	103	109	119	127	108	115	126	134	113	120	131	139	118	126	137	146	124	132	144	153	128	136	149	159
		MBh	55.1	56.8	61.5	66.0	53.9	55.5	60.0	64.4	52.6	54.1	58.6	62.9	51.3	52.8	57.2	61.4	48.7	50.2	54.3	58.3	45.1	46.5	50.3	54.0
		S/T	0.79	0.71	0.53	0.34	0.82	0.73	0.55	0.36	0.84	0.75	0.57	0.36	0.86	0.77	0.59	0.38	0.90	0.80	0.61	0.39	0.91	0.81	0.61	0.39
		Delta T	23	21	17	12	23	21	17	12	23	21	17	12	23	21	17	12	23	21	17	12	21	20	16	11
2000	KW	3.99	4.07	4.20	4.33	4.29	4.38	4.52	4.66	4.56	4.65	4.80	4.96	4.79	4.89	5.05	5.22	4.99	5.10	5.26	5.44	5.16	5.27	5.44	5.63	
	AMPS	15.0	15.3	15.8	16.4	16.2	16.6	17.2	17.8	17.6	18.1	18.7	19.4	18.9	19.3	20.0	20.8	20.1	20.6	21.3	22.1	21.3	21.8	22.6	23.5	
	HIPR	238	256	271	282	267	288	304	317	304	327	346	360	346	373	394	411	390	419	443	462	431	463	489	510	
	LO PR	106	112	123	131	112	119	130	138	116	123	135	144	122	130	142	151	128	136	148	158	132	141	153	163	
	MBh	56.8	58.5	63.3	67.9	55.5	57.1	61.8	66.4	54.2	55.8	60.4	64.8	52.8	54.4	58.9	63.2	50.2	51.7	55.9	60.0	46.5	47.9	51.8	55.6	

* Entering Indoor Dry Bulb Temperature
High and low pressures are measured at the liquid and suction service valves.

NOTE: Shaded area is ACCA (TVA) conditions

AMPS=Outdoor unit amps (comp. fan)
KW=Total system power

COOLING PERFORMANCE DATA

GSX130601B*

MODEL: GSX130601B* / CA*F4961*6A*

EXPANDED PERFORMANCE DATA

COOLING OPERATION

IDB*	Airflow	Outdoor Ambient Temperature																													
		65					75					85					95					105					115				
		59	63	67	71	75	59	63	67	71	75	59	63	67	71	75	59	63	67	71	75	59	63	67	71	75	59	63	67	71	75
80	1500	MBh	51.8	52.9	56.6	60.5	50.6	51.7	55.2	59.1	49.4	50.5	53.9	57.6	48.2	49.2	52.6	56.2	45.8	46.8	50.0	53.4	42.4	43.3	46.3	49.5					
		S/T	0.83	0.78	0.64	0.48	0.86	0.81	0.66	0.49	0.89	0.83	0.68	0.51	0.91	0.86	0.70	0.52	0.95	0.89	0.72	0.54	0.96	0.90	0.73	0.55					
		Delta T	26	25	22	18	27	26	22	18	27	26	22	18	27	26	23	18	27	26	22	18	25	24	21	17					
		KW	3.93	4.01	4.13	4.26	4.22	4.31	4.45	4.59	4.48	4.58	4.72	4.88	4.71	4.81	4.97	5.13	4.90	5.01	5.17	5.34	5.07	5.18	5.35	5.53					
		AMPS	14.7	15.1	15.6	16.1	15.9	16.3	16.8	17.5	17.3	17.7	18.3	19.0	18.5	19.0	19.6	20.4	19.7	20.2	20.9	21.7	20.9	21.4	22.2	23.0					
		HIPR	23.4	25.1	26.5	27.7	26.2	28.2	29.8	31.1	29.8	32.1	33.9	35.3	33.9	36.5	38.6	40.2	38.2	41.1	43.4	45.3	42.2	45.4	47.9	50.0					
		LO PR	10.4	11.0	12.0	12.8	10.9	11.6	12.7	13.5	11.4	12.1	13.2	14.1	11.9	12.7	13.9	14.8	12.5	13.3	14.5	15.5	12.9	13.8	15.0	16.0					
		MBh	56.1	57.4	61.3	65.5	54.8	56.0	59.9	64.0	53.5	54.7	58.4	62.5	52.2	53.4	57.0	60.9	49.6	50.7	54.2	57.9	45.9	46.9	50.2	53.6					
		S/T	0.86	0.81	0.66	0.49	0.90	0.84	0.68	0.51	0.92	0.86	0.70	0.52	0.95	0.89	0.72	0.54	0.98	0.92	0.75	0.56	0.99	0.93	0.76	0.57					
		Delta T	25	24	21	17	26	25	22	17	26	25	22	17	26	25	22	17	26	25	21	17	24	23	20	16					
1750	1750	KW	4.02	4.11	4.23	4.37	4.33	4.42	4.56	4.70	4.59	4.69	4.84	5.00	4.83	4.93	5.09	5.26	5.03	5.14	5.31	5.48	5.20	5.32	5.49	5.67					
		AMPS	15.1	15.5	16.0	16.6	16.4	16.8	17.3	18.0	17.8	18.2	18.8	19.6	19.0	19.5	20.2	20.9	20.3	20.8	21.5	22.3	21.5	22.0	22.8	23.7					
		HIPR	24.1	25.9	27.4	28.5	27.0	29.1	30.7	32.0	30.7	33.1	34.9	36.4	35.0	37.7	39.8	41.5	39.4	42.4	44.7	46.7	43.5	46.8	49.4	51.5					
		LO PR	10.7	11.4	12.4	13.2	11.3	12.0	13.1	14.0	11.7	12.5	13.6	14.5	12.3	13.1	14.3	15.2	12.9	13.7	15.0	16.0	13.3	14.2	15.5	16.5					
		MBh	57.8	59.1	63.1	67.5	56.5	57.7	61.6	65.9	55.1	56.3	60.2	64.3	53.8	55.0	58.7	62.8	51.1	52.2	55.8	59.6	47.3	48.4	51.7	55.2					
		S/T	0.91	0.85	0.69	0.52	0.94	0.88	0.72	0.54	0.96	0.90	0.74	0.55	1.00	0.93	0.76	0.57	1.00	0.97	0.79	0.59	1.00	1.00	0.79	0.59					
		Delta T	24	23	20	16	24	23	20	16	24	23	20	16	25	24	20	16	25	23	20	16	22	22	19	15					
		KW	4.05	4.14	4.27	4.40	4.36	4.45	4.59	4.74	4.63	4.73	4.88	5.04	4.87	4.97	5.13	5.30	5.07	5.18	5.35	5.53	5.24	5.36	5.54	5.72					
		AMPS	15.2	15.6	16.1	16.7	16.5	16.9	17.5	18.1	18.0	18.4	19.0	19.8	19.2	19.7	20.4	21.1	20.5	21.0	21.7	22.5	21.7	22.3	23.0	23.9					
		HIPR	24.3	26.2	27.6	28.8	27.3	29.4	31.0	32.3	31.0	33.4	35.3	36.8	35.3	38.0	40.2	41.9	39.8	42.8	45.2	47.1	43.9	47.3	49.9	52.1					
LO PR	10.8	11.5	12.5	13.3	11.4	12.1	13.2	14.1	11.8	12.6	13.7	14.6	12.4	13.2	14.4	15.4	13.0	13.9	15.1	16.1	13.5	14.3	15.7	16.7							
85	1500	MBh	52.7	53.7	56.3	60.0	51.5	52.5	55.0	58.6	50.3	51.2	53.7	57.2	49.0	50.0	52.3	55.8	46.6	47.5	49.7	53.1	43.1	44.0	46.1	49.1					
		S/T	0.87	0.84	0.76	0.62	0.91	0.87	0.79	0.64	0.93	0.90	0.81	0.66	0.96	0.93	0.83	0.68	1.00	0.96	0.87	0.70	1.00	0.97	0.87	0.71					
		Delta T	28	28	26	23	29	28	27	23	29	28	27	23	29	28	27	23	28	28	26	23	26	26	25	21					
		KW	3.96	4.04	4.17	4.30	4.26	4.35	4.48	4.62	4.52	4.61	4.76	4.92	4.75	4.85	5.01	5.17	4.94	5.05	5.22	5.39	5.11	5.23	5.40	5.58					
		AMPS	14.8	15.2	15.7	16.3	16.0	16.4	17.0	17.6	17.5	17.9	18.5	19.2	18.7	19.1	19.8	20.5	19.9	20.4	21.1	21.9	21.1	21.6	22.4	23.2					
		HIPR	23.6	25.4	26.8	28.0	26.5	28.5	30.1	31.4	30.1	32.4	34.2	35.7	34.3	36.9	39.0	40.6	38.6	41.5	43.8	45.7	42.6	45.9	48.4	50.5					
		LO PR	10.5	11.1	12.1	12.9	11.0	11.8	12.8	13.7	11.5	12.2	13.3	14.2	12.1	12.8	14.0	14.9	12.6	13.4	14.7	15.6	13.1	13.9	15.2	16.2					
		MBh	57.1	58.2	61.0	65.0	55.8	56.9	59.6	63.5	54.5	55.5	58.1	62.0	53.1	54.2	56.7	60.5	50.5	51.4	53.9	57.5	46.7	47.7	49.9	53.2					
		S/T	0.91	0.87	0.79	0.64	0.94	0.91	0.82	0.66	0.96	0.93	0.84	0.68	0.99	0.96	0.87	0.70	1.00	1.00	0.90	0.73	1.00	1.00	0.91	0.74					
		Delta T	27	27	25	22	28	27	26	22	28	27	26	22	28	27	26	22	28	27	25	22	25	25	24	21					
1750	1750	KW	4.05	4.14	4.27	4.40	4.36	4.45	4.59	4.74	4.63	4.73	4.88	5.04	4.87	4.97	5.13	5.30	5.07	5.18	5.35	5.53	5.24	5.36	5.54	5.72					
		AMPS	15.2	15.6	16.1	16.7	16.5	16.9	17.5	18.1	18.0	18.4	19.0	19.8	19.2	19.7	20.4	21.1	20.5	21.0	21.7	22.5	21.7	22.3	23.0	23.9					
		HIPR	24.3	26.2	27.6	28.8	27.3	29.4	31.0	32.3	31.0	33.4	35.3	36.8	35.3	38.0	40.2	41.9	39.8	42.8	45.2	47.1	43.9	47.3	49.9	52.1					
		LO PR	10.8	11.5	12.5	13.3	11.4	12.1	13.2	14.1	11.8	12.6	13.7	14.6	12.4	13.2	14.4	15.4	13.0	13.9	15.1	16.1	13.5	14.3	15.7	16.7					
		MBh	58.8	60.0	62.8	67.0	57.5	58.6	61.3	65.4	56.1	57.2	59.9	63.9	54.7	55.8	58.4	62.3	52.0	53.0	55.5	59.2	48.2	49.1	51.4	54.8					
		S/T	0.95	0.92	0.83	0.67	0.99	0.95	0.86	0.70	1.00	0.97	0.88	0.71	1.00	1.00	0.91	0.74	1.00	1.00	0.94	0.76	1.00	1.00	0.95	0.77					
		Delta T	26	25	24	21	26	26	24	21	26	26	24	21	25	25	24	21	26	24	24	21	22	23	22	19					
		KW	4.09	4.17	4.30	4.44	4.39	4.49	4.63	4.78	4.67	4.77	4.92	5.08	4.91	5.01	5.18	5.35	5.11	5.22	5.39	5.57	5.29	5.40	5.58	5.77					
		AMPS	15.4	15.8	16.3	16.9	16.7	17.1	17.6	18.3	18.1	18.6	19.2	19.9	19.4	19.9	20.6	21.3	20.7	21.2	21.9	22.7	21.9	22.5	23.2	24.1					
		HIPR	24.6	26.4	27.9	29.1	27.6	29.7	31.3	32.7	31.3	33.7	35.6	37.1	35.7	38.4	40.6	42.3	40.2	43.2	45.6	47.6	44.4	47.7	50.4	52.6					
LO PR	10.9	11.6	12.6	13.5	11.5	12.2	13.4	14.2	12.0	12.7	13.9	14.8	12.6	13.4	14.6	15.5	13.2	14.0	15.3	16.3	13.6	14.5	15.8	16.8							

* Entering Indoor Dry Bulb Temperature
High and low pressures are measured at the liquid and suction service valves.
NOTE: Shaded area is AHR1 Rating Conditions
AMPS=Outdoor unit amps (comp. +fan)
KW=Total system power

COOLING PERFORMANCE DATA

GSX130181C*

MODEL: GSX130181C* / CA*F1824*6**

EXPANDED PERFORMANCE DATA

COOLING OPERATION

IDB*	Airflow	Outdoor Ambient Temperature												Outdoor Ambient Temperature																							
		65						75						85						95						105						115					
		59	63	67	71	75	79	59	63	67	71	75	79	59	63	67	71	75	79	59	63	67	71	75	79	59	63	67	71	75	79						
70	525	MBh	16.0	16.6	18.1	-	15.6	16.2	17.7	-	15.2	15.8	17.3	-	14.9	15.4	16.9	-	14.1	14.6	16.0	-	13.1	13.6	14.9	-											
		S/T	0.69	0.57	0.40	-	0.71	0.59	0.41	-	0.73	0.61	0.42	-	0.75	0.63	0.44	-	0.78	0.65	0.45	-	0.79	0.66	0.46	-											
		DT	19	17	13	-	19	17	13	-	19	17	13	-	20	17	13	-	19	17	13	-	18	16	12	-											
		KW	1.22	1.24	1.28	-	1.30	1.33	1.37	-	1.38	1.41	1.45	-	1.44	1.47	1.52	-	1.50	1.53	1.58	-	1.55	1.58	1.63	-											
		AMPS	10.7	10.7	10.9	-	11.0	11.1	11.2	-	11.3	11.5	11.6	-	11.7	11.8	11.9	-	12.0	12.1	12.3	-	12.3	12.4	12.6	-											
	600	HI PR	201	216	228	-	225	243	256	-	256	276	291	-	292	314	332	-	329	354	373	-	363	391	412	-											
		LO PR	102	109	119	-	108	115	125	-	112	119	130	-	118	125	137	-	124	131	144	-	128	136	148	-											
		MBh	17.3	17.9	19.7	-	16.9	17.5	19.2	-	16.5	17.1	18.7	-	16.1	16.7	18.3	-	15.3	15.9	17.4	-	14.2	14.7	16.1	-											
		S/T	0.71	0.59	0.41	-	0.74	0.62	0.43	-	0.76	0.63	0.44	-	0.78	0.65	0.45	-	0.81	0.68	0.47	-	0.82	0.68	0.47	-											
		DT	19	16	12	-	19	17	13	-	19	17	13	-	19	17	13	-	19	16	12	-	18	15	12	-											
675	KW	1.25	1.27	1.31	-	1.33	1.36	1.40	-	1.41	1.44	1.48	-	1.48	1.51	1.55	-	1.53	1.57	1.61	-	1.58	1.62	1.67	-												
	AMPS	10.8	10.9	11.0	-	11.1	11.2	11.3	-	11.5	11.6	11.7	-	11.8	11.9	12.1	-	12.1	12.3	12.4	-	12.5	12.6	12.8	-												
	HI PR	207	223	235	-	232	250	264	-	264	284	300	-	301	324	342	-	339	364	385	-	374	403	425	-												
	LO PR	105	112	122	-	111	118	129	-	116	123	134	-	122	129	141	-	127	136	148	-	132	140	153	-												
	MBh	17.8	18.5	20.3	-	17.4	18.1	19.8	-	17.0	17.6	19.3	-	16.6	17.2	18.8	-	15.8	16.3	17.9	-	14.6	15.1	16.6	-												
75	525	S/T	0.75	0.62	0.43	-	0.77	0.65	0.45	-	0.79	0.66	0.46	-	0.82	0.68	0.47	-	0.85	0.71	0.49	-	0.86	0.72	0.50	-											
		DT	18	16	12	-	18	16	12	-	18	16	12	-	19	16	12	-	18	16	12	-	17	15	11	-											
		KW	1.26	1.28	1.32	-	1.34	1.37	1.41	-	1.42	1.45	1.49	-	1.49	1.52	1.56	-	1.55	1.58	1.63	-	1.60	1.63	1.68	-											
		AMPS	10.8	10.9	11.0	-	11.1	11.2	11.4	-	11.5	11.6	11.8	-	11.8	12.0	12.1	-	12.2	12.3	12.5	-	12.5	12.6	12.8	-											
		HI PR	203	218	231	241	228	245	259	270	259	279	294	307	295	317	335	350	332	357	377	393	367	395	417	435											
	600	LO PR	103	110	120	128	109	116	127	135	113	121	132	140	119	127	138	147	125	133	145	154	129	137	150	160											
		MBh	17.6	18.1	19.6	21.1	17.2	17.7	19.2	20.6	16.8	17.3	18.7	20.1	16.4	16.9	18.3	19.6	15.6	16.0	17.3	18.6	14.4	14.8	16.1	17.2											
		S/T	0.81	0.72	0.55	0.34	0.81	0.72	0.55	0.35	0.83	0.74	0.56	0.36	0.86	0.77	0.58	0.37	0.89	0.79	0.60	0.39	0.92	0.82	0.62	0.40											
		DT	22	20	17	12	22	21	17	12	23	21	17	12	23	21	17	12	22	21	17	12	21	19	16	11											
		KW	1.23	1.25	1.29	1.32	1.31	1.34	1.38	1.42	1.39	1.42	1.46	1.50	1.45	1.48	1.53	1.58	1.51	1.54	1.59	1.64	1.56	1.59	1.64	1.69											
675	AMPS	10.7	10.8	10.9	11.1	11.0	11.1	11.3	11.4	11.4	11.5	11.7	11.8	11.7	11.8	12.0	12.2	12.0	12.2	12.3	12.6	12.3	12.5	12.7	12.9												
	HI PR	203	218	231	241	228	245	259	270	259	279	294	307	295	317	335	350	332	357	377	393	367	395	417	435												
	LO PR	103	110	120	128	109	116	127	135	113	121	132	140	119	127	138	147	125	133	145	154	129	137	150	160												
	MBh	17.6	18.1	19.6	21.1	17.2	17.7	19.2	20.6	16.8	17.3	18.7	20.1	16.4	16.9	18.3	19.6	15.6	16.0	17.3	18.6	14.4	14.8	16.1	17.2												
	S/T	0.81	0.72	0.55	0.35	0.84	0.75	0.57	0.37	0.86	0.77	0.58	0.37	0.89	0.79	0.60	0.39	0.92	0.82	0.62	0.40	0.93	0.83	0.63	0.40												
75	525	DT	22	20	16	11	22	20	17	12	22	20	17	12	22	21	17	12	22	20	17	11	21	19	15	11											
		KW	1.26	1.28	1.32	1.35	1.34	1.37	1.41	1.45	1.42	1.45	1.49	1.54	1.49	1.52	1.57	1.61	1.55	1.58	1.63	1.68	1.60	1.63	1.68	1.73											
		AMPS	10.8	10.9	11.0	11.2	11.1	11.2	11.4	11.6	11.5	11.6	11.8	12.0	11.8	12.0	12.1	12.4	12.2	12.3	12.5	12.7	12.5	12.6	12.9	13.1											
		HI PR	209	225	238	248	235	253	267	278	267	287	303	316	304	327	346	360	342	368	389	406	378	407	430	448											
		LO PR	106	113	124	132	112	120	131	139	117	124	136	145	123	131	143	152	129	137	149	159	133	142	155	165											
	600	MBh	18.1	18.7	20.2	21.7	17.7	18.2	19.7	21.2	17.3	17.8	19.3	20.7	16.9	17.4	18.8	20.2	16.0	16.5	17.9	19.2	14.8	15.3	16.5	17.8											
		S/T	0.85	0.76	0.57	0.37	0.88	0.79	0.60	0.38	0.90	0.81	0.61	0.39	0.93	0.83	0.63	0.41	0.97	0.86	0.65	0.42	0.97	0.87	0.66	0.42											
		DT	21	19	16	11	21	20	16	11	21	20	16	11	21	20	16	11	21	19	16	11	20	18	15	10											
		KW	1.26	1.29	1.33	1.36	1.35	1.38	1.42	1.46	1.43	1.46	1.50	1.55	1.50	1.53	1.58	1.63	1.56	1.59	1.64	1.69	1.61	1.64	1.69	1.75											
		AMPS	10.8	10.9	11.1	11.2	11.2	11.3	11.4	11.6	11.6	11.7	11.8	12.0	11.9	12.0	12.2	12.4	12.2	12.4	12.6	12.8	12.6	12.7	12.9	13.1											
675	HI PR	211	227	240	250	237	255	269	281	270	290	306	320	307	331	349	364	346	372	393	410	382	411	434	453												
	LO PR	108	114	125	133	114	121	132	141	118	126	137	146	124	132	144	153	130	138	151	161	134	143	156	166												
	MBh	18.1	18.7	20.2	21.7	17.7	18.2	19.7	21.2	17.3	17.8	19.3	20.7	16.9	17.4	18.8	20.2	16.0	16.5	17.9	19.2	14.8	15.3	16.5	17.8												
	S/T	0.85	0.76	0.57	0.37	0.88	0.79	0.60	0.38	0.90	0.81	0.61	0.39	0.93	0.83	0.63	0.41	0.97	0.86	0.65	0.42	0.97	0.87	0.66	0.42												
	DT	21	19	16	11	21	20	16	11	21	20	16	11	21	20	16	11	21	19	16	11	20	18	15	10												

* Entering Indoor Dry Bulb Temperature
High and low pressures are measured at the liquid and suction service valves.

NOTE: Shaded area is ACCA (TVA) conditions

AMPS=Outdoor unit amps (comp.+fan)
KW=Total system power

COOLING PERFORMANCE DATA

GSX130181C*

MODEL: GSX130181C* / CA*F1824*6**

EXPANDED PERFORMANCE DATA

COOLING OPERATION

IDB*	Airflow	Outdoor Ambient Temperature																								
		65				75				85				95				105				115				
		59	63	67	71	59	63	67	71	59	63	67	71	59	63	67	71	59	63	67	71	59	63	67	71	
80	525	MBh	16.5	16.9	18.1	19.3	16.2	16.5	17.6	18.9	15.8	16.1	17.2	18.4	15.4	15.7	16.8	18.0	14.6	14.9	16.0	17.1	13.5	13.8	14.8	15.8
		S/T	0.86	0.80	0.65	0.49	0.89	0.83	0.68	0.51	0.91	0.85	0.69	0.52	0.94	0.88	0.72	0.54	0.97	0.91	0.74	0.56	0.98	0.92	0.75	0.56
		DT	25	24	21	17	25	24	21	17	25	24	21	17	25	24	21	17	25	24	21	17	23	22	19	16
		KW	1.24	1.26	1.30	1.33	1.32	1.35	1.39	1.43	1.40	1.43	1.47	1.51	1.47	1.50	1.54	1.59	1.52	1.55	1.60	1.65	1.57	1.60	1.65	1.71
		AMPS	10.7	10.8	11.0	11.1	11.0	11.2	11.3	11.5	11.4	11.5	11.7	11.9	11.8	11.9	12.0	12.2	12.1	12.2	12.4	12.6	12.4	12.5	12.7	13.0
		HIPR	2.05	2.21	2.33	2.43	2.30	2.48	2.61	2.73	2.62	2.82	2.97	3.10	2.98	3.21	3.39	3.53	3.35	3.61	3.81	3.97	3.70	3.99	4.21	4.39
		LO PR	1.04	1.11	1.21	1.29	1.10	1.17	1.28	1.36	1.15	1.22	1.33	1.42	1.20	1.28	1.40	1.49	1.26	1.34	1.46	1.56	1.30	1.39	1.51	1.61
		MBh	17.9	18.3	19.6	20.9	17.5	17.9	19.1	20.4	17.1	17.5	18.7	19.9	16.7	17.0	18.2	19.5	15.8	16.2	17.3	18.5	14.7	15.0	16.0	17.1
		S/T	0.89	0.83	0.68	0.51	0.92	0.86	0.70	0.52	0.94	0.88	0.72	0.54	0.97	0.91	0.74	0.56	1.00	0.95	0.77	0.58	1.00	0.96	0.78	0.58
		DT	24	23	20	16	25	24	21	16	25	24	21	16	25	24	21	16	25	24	20	16	22	22	19	15
KW	1.26	1.29	1.33	1.37	1.35	1.38	1.42	1.46	1.43	1.46	1.50	1.55	1.50	1.53	1.58	1.63	1.56	1.59	1.64	1.69	1.61	1.64	1.69	1.75		
AMPS	10.8	10.9	11.1	11.2	11.2	11.3	11.4	11.6	11.6	11.7	11.8	12.0	11.9	12.0	12.2	12.4	12.2	12.4	12.6	12.8	12.6	12.7	12.9	13.1		
HIPR	2.11	2.27	2.40	2.51	2.37	2.55	2.70	2.81	2.70	2.90	3.07	3.20	3.07	3.31	3.49	3.64	3.46	3.72	3.93	4.10	3.82	4.11	4.34	4.53		
LO PR	1.08	1.14	1.25	1.33	1.14	1.21	1.32	1.41	1.18	1.26	1.37	1.46	1.24	1.32	1.44	1.53	1.30	1.38	1.51	1.61	1.34	1.43	1.56	1.66		
MBh	18.5	18.9	20.2	21.5	18.0	18.4	19.7	21.0	17.6	18.0	19.2	20.5	17.2	17.5	18.7	20.0	16.3	16.7	17.8	19.0	15.1	15.4	16.5	17.6		
S/T	0.93	0.87	0.71	0.53	0.96	0.90	0.74	0.55	1.00	0.93	0.76	0.56	1.00	0.96	0.78	0.58	1.00	1.00	0.81	0.60	1.00	1.00	0.82	0.61		
DT	23	22	20	16	24	23	20	16	24	23	20	16	23	23	20	16	22	23	20	16	21	21	18	15		
KW	1.27	1.30	1.34	1.38	1.36	1.39	1.43	1.47	1.44	1.47	1.52	1.56	1.51	1.54	1.59	1.64	1.57	1.60	1.65	1.71	1.62	1.66	1.71	1.76		
AMPS	10.9	11.0	11.1	11.3	11.2	11.3	11.5	11.7	11.6	11.7	11.9	12.1	11.9	12.1	12.3	12.5	12.3	12.4	12.6	12.8	12.6	12.8	13.0	13.2		
HIPR	2.13	2.30	2.43	2.53	2.40	2.58	2.72	2.84	2.72	2.93	3.10	3.23	3.10	3.34	3.53	3.68	3.49	3.76	3.97	4.14	3.86	4.15	4.38	4.57		
LO PR	1.09	1.16	1.26	1.34	1.15	1.22	1.33	1.42	1.19	1.27	1.39	1.48	1.25	1.33	1.45	1.55	1.31	1.40	1.52	1.62	1.36	1.44	1.58	1.68		
85	525	MBh	16.8	17.2	18.0	19.2	16.4	16.8	17.6	18.7	16.0	16.4	17.1	18.3	15.7	16.0	16.7	17.8	14.9	15.2	15.9	16.9	13.8	14.0	14.7	15.7
		S/T	0.90	0.87	0.78	0.63	0.93	0.90	0.81	0.66	0.95	0.92	0.83	0.67	0.98	0.95	0.86	0.70	1.00	0.99	0.89	0.72	1.00	0.99	0.90	0.73
		DT	26	26	25	21	27	26	25	22	27	26	25	22	27	27	25	22	26	26	25	21	24	24	23	20
		KW	1.25	1.27	1.31	1.34	1.33	1.36	1.40	1.44	1.41	1.44	1.48	1.53	1.48	1.51	1.55	1.60	1.53	1.57	1.61	1.66	1.58	1.62	1.67	1.72
		AMPS	10.8	10.9	11.0	11.2	11.1	11.2	11.3	11.5	11.5	11.6	11.7	11.9	11.8	11.9	12.1	12.3	12.1	12.3	12.4	12.7	12.4	12.6	12.8	13.0
		HIPR	2.07	2.23	2.35	2.45	2.32	2.50	2.64	2.75	2.64	2.84	3.00	3.13	3.01	3.24	3.42	3.57	3.39	3.64	3.85	4.01	3.74	4.03	4.25	4.43
		LO PR	1.05	1.12	1.22	1.30	1.11	1.18	1.29	1.38	1.16	1.23	1.34	1.43	1.22	1.29	1.41	1.50	1.27	1.35	1.48	1.58	1.32	1.40	1.53	1.63
		MBh	18.2	18.6	19.5	20.8	17.8	18.2	19.0	20.3	17.4	17.7	18.6	19.8	17.0	17.3	18.1	19.3	16.1	16.4	17.2	18.4	14.9	15.2	15.9	17.0
		S/T	0.93	0.90	0.81	0.66	0.96	0.93	0.84	0.68	0.99	0.95	0.86	0.70	1.00	0.99	0.89	0.72	1.00	1.00	0.92	0.75	1.00	1.00	0.93	0.75
		DT	26	26	24	21	26	26	24	21	26	26	24	21	26	26	25	21	25	25	24	21	23	23	23	20
KW	1.27	1.30	1.34	1.38	1.36	1.39	1.43	1.47	1.44	1.47	1.52	1.56	1.51	1.54	1.59	1.64	1.57	1.60	1.65	1.71	1.62	1.66	1.71	1.76		
AMPS	10.9	11.0	11.1	11.3	11.2	11.3	11.5	11.7	11.6	11.7	11.9	12.1	11.9	12.1	12.3	12.5	12.3	12.4	12.6	12.8	12.6	12.8	13.0	13.2		
HIPR	2.13	2.30	2.43	2.53	2.40	2.58	2.72	2.84	2.72	2.93	3.10	3.23	3.10	3.34	3.53	3.68	3.49	3.76	3.97	4.14	3.86	4.15	4.38	4.57		
LO PR	1.09	1.16	1.26	1.34	1.15	1.22	1.33	1.42	1.19	1.27	1.39	1.48	1.25	1.33	1.45	1.55	1.31	1.40	1.52	1.62	1.36	1.44	1.58	1.68		
85	600	MBh	18.8	19.1	20.1	21.4	18.3	18.7	19.6	20.9	17.9	18.3	19.1	20.4	17.5	17.8	18.7	19.9	16.6	16.9	17.7	18.9	15.4	15.7	16.4	17.5
		S/T	0.98	0.94	0.85	0.69	1.00	0.98	0.88	0.71	1.00	1.00	0.90	0.73	1.00	1.00	0.93	0.76	1.00	1.00	0.97	0.79	1.00	1.00	0.98	0.79
		DT	25	25	23	20	25	25	23	20	24	24	25	20	24	24	24	21	23	23	23	20	21	21	22	19
		KW	1.28	1.31	1.35	1.39	1.37	1.40	1.44	1.49	1.45	1.48	1.53	1.57	1.52	1.55	1.60	1.65	1.58	1.62	1.67	1.72	1.63	1.67	1.72	1.78
		AMPS	10.9	11.0	11.2	11.3	11.3	11.4	11.5	11.7	11.6	11.8	11.9	12.1	12.0	12.1	12.3	12.5	12.3	12.5	12.7	12.9	12.7	12.8	13.0	13.3
		HIPR	2.16	2.32	2.45	2.56	2.42	2.60	2.75	2.87	2.75	2.96	3.13	3.26	3.13	3.37	3.56	3.71	3.63	3.79	4.01	4.18	3.90	4.19	4.43	4.62
		LO PR	1.10	1.17	1.27	1.36	1.16	1.23	1.35	1.43	1.20	1.28	1.40	1.49	1.27	1.35	1.47	1.56	1.33	1.41	1.54	1.64	1.37	1.46	1.59	1.70
		MBh	18.8	19.1	20.1	21.4	18.3	18.7	19.6	20.9	17.9	18.3	19.1	20.4	17.5	17.8	18.7	19.9	16.6	16.9	17.7	18.9	15.4	15.7	16.4	17.5
		S/T	0.98	0.94	0.85	0.69	1.00	0.98	0.88	0.71	1.00	1.00	0.90	0.73	1.00	1.00	0.93	0.76	1.00	1.00	0.97	0.79	1.00	1.00	0.98	0.79
		DT	25	25	23	20	25	25	23	20	24	24	25	20	24	24	24	21	23	23	23	20	21	21	22	19
KW	1.28	1.31	1.35	1.39	1.37	1.40	1.44	1.49	1.45	1.48	1.53	1.57	1.52	1.55	1.60	1.65	1.58	1.62	1.67	1.72	1.63	1.67	1.72	1.78		
AMPS	10.9	11.0	11.2	11.3	11.3	11.4	11.5	11.7	11.6	11.8	11.9	12.1	12.0	12.1	12.3	12.5	12.3	12.5	12.7	12.9	12.7	12.8	13.0	13.3		
HIPR	2.16	2.32	2.45	2.56	2.42	2.60	2.75	2.87	2.75	2.96	3.13	3.26	3.13	3.37	3.56	3.71	3.63	3.79	4.01	4.18	3.90	4.19	4.43	4.62		
LO PR	1.10	1.17	1.27	1.36	1.16	1.23	1.35	1.43	1.20	1.28	1.40	1.49	1.27	1.35	1.47	1.56	1.33	1.41	1.54	1.64	1.37	1.46	1.59	1.70		

* Entering Indoor Dry Bulb Temperature
 High and low pressures are measured at the liquid and suction service valves.
 NOTE: Shaded area is AHRI Rating Conditions
 AMP=Outdoor unit amps (comp.+fan)
 KW=Total system power

IDB* Airflow	Outdoor Ambient Temperature																								
	65				75				85				95												
	59	63	67	71	59	63	67	71	59	63	67	71	59	63	67	71									
986	MBh	31.7	32.8	36.0	-	30.9	32.1	35.1	-	30.2	31.3	34.3	-	29.5	30.5	33.5	-	28.0	29.0	31.8	-	25.9	26.9	29.4	-
	S/T	0.76	0.63	0.44	-	0.78	0.66	0.45	-	0.80	0.67	0.47	-	0.83	0.69	0.48	-	0.86	0.72	0.50	-	0.87	0.73	0.50	-
	DT	22	19	15	-	23	20	15	-	23	20	15	-	23	20	15	-	22	19	15	-	21	18	14	-
	KW	1.88	1.93	2.02	-	2.08	2.14	2.23	-	2.26	2.32	2.42	-	2.42	2.49	2.59	-	2.55	2.62	2.74	-	2.67	2.74	2.86	-
	AMPS	10.2	10.5	10.8	-	11.0	11.3	11.7	-	12.0	12.3	12.7	-	12.8	13.1	13.5	-	13.6	14.0	14.4	-	14.4	14.8	15.3	-
	HI PR	196	211	223	-	220	237	250	-	250	269	284	-	285	307	324	-	320	345	364	-	354	381	402	-
1050	LO PR	95	102	111	-	101	107	117	-	105	112	122	-	110	117	128	-	115	123	134	-	119	127	139	-
	MBh	32.0	33.2	36.3	-	31.2	32.4	35.5	-	30.5	31.6	34.6	-	29.8	30.8	33.8	-	28.3	29.3	32.1	-	26.2	27.1	29.7	-
	S/T	0.77	0.64	0.45	-	0.80	0.67	0.46	-	0.82	0.68	0.47	-	0.85	0.71	0.49	-	0.88	0.73	0.51	-	0.89	0.74	0.51	-
	DT	22	19	14	-	22	19	14	-	22	19	14	-	22	19	14	-	22	19	14	-	20	18	13	-
	KW	1.88	1.94	2.02	-	2.08	2.15	2.24	-	2.26	2.33	2.43	-	2.42	2.49	2.60	-	2.56	2.63	2.74	-	2.67	2.75	2.87	-
	AMPS	10.2	10.5	10.8	-	11.1	11.3	11.7	-	12.0	12.3	12.7	-	12.8	13.1	13.6	-	13.7	14.0	14.5	-	14.5	14.8	15.3	-
1350	HI PR	197	212	223	-	221	237	251	-	251	270	285	-	286	307	325	-	321	346	365	-	355	382	404	-
	LO PR	96	102	111	-	101	108	117	-	105	112	122	-	110	117	128	-	116	123	134	-	120	127	139	-
	MBh	32.8	34.0	37.2	-	32.0	33.2	36.4	-	31.3	32.4	35.5	-	30.5	31.6	34.6	-	29.0	30.0	32.9	-	26.8	27.8	30.5	-
	S/T	0.80	0.67	0.47	-	0.83	0.70	0.48	-	0.85	0.71	0.49	-	0.88	0.74	0.51	-	0.92	0.76	0.53	-	0.92	0.77	0.53	-
	DT	18	16	12	-	18	16	12	-	18	16	12	-	18	16	12	-	18	16	12	-	17	15	11	-
	KW	1.92	1.97	2.06	-	2.12	2.19	2.28	-	2.31	2.37	2.48	-	2.47	2.54	2.65	-	2.61	2.68	2.80	-	2.72	2.80	2.92	-
70	AMPS	10.4	10.6	11.0	-	11.2	11.5	11.9	-	12.2	12.5	12.9	-	13.0	13.4	13.8	-	13.9	14.2	14.7	-	14.7	15.1	15.6	-
	HI PR	200	215	227	-	224	241	255	-	255	275	290	-	291	313	330	-	327	352	371	-	361	389	410	-
	LO PR	97	104	113	-	103	109	119	-	107	114	124	-	112	119	130	-	118	125	137	-	122	130	141	-

IDB* Airflow	Outdoor Ambient Temperature																								
	65				75				85				95												
	59	63	67	71	59	63	67	71	59	63	67	71	59	63	67	71									
986	MBh	32.2	33.2	35.9	38.5	31.5	32.4	35.1	37.6	30.7	31.6	34.2	36.7	30.0	30.8	33.4	35.8	28.5	29.3	31.7	34.0	26.4	27.1	29.4	31.5
	S/T	0.86	0.77	0.58	0.37	0.89	0.80	0.60	0.39	0.91	0.82	0.62	0.40	0.94	0.84	0.64	0.41	0.98	0.88	0.66	0.43	0.99	0.88	0.67	0.43
	DT	26	24	19	13	26	24	20	14	26	24	20	14	26	24	20	14	26	24	20	14	24	22	18	13
	KW	1.90	1.95	2.04	2.13	2.10	2.16	2.26	2.36	2.28	2.35	2.45	2.56	2.44	2.51	2.62	2.73	2.58	2.65	2.77	2.89	2.70	2.77	2.89	3.02
	AMPS	10.3	10.6	10.9	11.3	11.1	11.4	11.8	12.2	12.1	12.4	12.8	13.3	12.9	13.2	13.7	14.2	13.7	14.1	14.6	15.1	14.6	14.9	15.4	16.0
	HI PR	198	213	225	235	222	239	252	263	253	272	287	299	288	310	327	341	324	348	368	384	358	385	406	424
1050	LO PR	96	103	112	119	102	108	118	126	106	113	123	131	111	118	129	138	117	124	135	144	121	128	140	149
	MBh	32.5	33.5	36.3	38.9	31.8	32.7	35.4	38.0	31.0	31.9	34.6	37.1	30.3	31.2	33.7	36.2	28.7	29.6	32.0	34.4	26.6	27.4	29.7	31.9
	S/T	0.88	0.78	0.59	0.38	0.91	0.81	0.62	0.40	0.93	0.83	0.63	0.41	0.96	0.86	0.65	0.42	1.00	0.89	0.68	0.43	1.00	0.90	0.68	0.44
	DT	25	23	19	13	25	23	19	13	25	23	19	13	25	23	19	13	25	23	19	13	23	22	18	12
	KW	1.90	1.96	2.05	2.14	2.11	2.17	2.27	2.36	2.29	2.36	2.46	2.57	2.45	2.52	2.63	2.74	2.59	2.66	2.78	2.89	2.70	2.78	2.90	3.03
	AMPS	10.3	10.6	10.9	11.3	11.2	11.4	11.8	12.2	12.1	12.4	12.8	13.3	13.0	13.3	13.7	14.2	13.8	14.1	14.6	15.1	14.6	15.0	15.5	16.1
1350	HI PR	199	214	226	235	223	240	253	264	253	273	288	300	289	311	328	342	325	349	369	385	359	386	408	425
	LO PR	97	103	112	120	102	109	119	126	106	113	123	131	112	119	130	138	117	124	136	145	121	129	140	150
	MBh	33.3	34.3	37.2	39.9	32.6	33.5	36.3	38.9	31.8	32.7	35.4	38.0	31.0	31.9	34.6	37.1	29.5	30.3	32.8	35.2	27.3	28.1	30.4	32.6
	S/T	0.91	0.82	0.62	0.40	0.95	0.85	0.64	0.41	0.97	0.87	0.66	0.42	1.00	0.90	0.68	0.44	1.00	0.93	0.70	0.45	1.00	0.94	0.71	0.46
	DT	21	19	16	11	21	19	16	11	21	19	16	11	21	20	16	11	20	19	16	11	19	18	15	10
	KW	1.94	2.00	2.08	2.18	2.15	2.21	2.31	2.41	2.33	2.40	2.50	2.61	2.50	2.57	2.68	2.79	2.63	2.71	2.83	2.95	2.75	2.83	2.95	3.08
75	AMPS	10.5	10.7	11.1	11.5	11.3	11.6	12.0	12.4	12.3	12.6	13.0	13.5	13.2	13.5	13.9	14.5	14.0	14.3	14.8	15.4	14.8	15.2	15.7	16.3
	HI PR	202	217	229	239	227	244	257	269	258	277	293	305	294	316	334	348	330	355	375	391	365	393	415	432
	LO PR	98	105	114	122	104	111	121	129	108	115	125	134	113	121	132	140	119	127	138	147	123	131	143	152

* Entering Indoor Dry Bulb Temperature
High and low pressures are measured at the liquid and suction service valves.

NOTE: Shaded area is ACCA (TVA) conditions

AMPS=Outdoor unit amps (comp.+fan)
KW=Total system power

COOLING PERFORMANCE DATA

GSX130361C*

EXPANDED PERFORMANCE DATA

EXPANDED PERFORMANCE DATA

GSX130361X*/CA*F3642*6C*

COOLING OPERATION

IDB*	Airflow	Outdoor Ambient Temperature																								
		65				75				85				95				105				115				
		59	63	67	71	59	63	67	71	59	63	67	71	59	63	67	71	59	63	67	71	59	63	67	71	
80	986	MBh	32.8	33.5	35.8	38.3	32.0	32.7	35.0	37.4	31.3	31.9	34.1	36.5	30.5	31.2	33.3	35.6	29.0	29.6	31.6	33.8	26.8	27.4	29.3	31.3
		S/T	0.94	0.88	0.72	0.54	0.98	0.92	0.75	0.56	1.00	0.94	0.77	0.57	1.00	0.97	0.79	0.59	1.00	1.00	0.82	0.61	1.00	1.00	0.83	0.62
		DT	29	28	24	19	29	28	24	19	29	28	24	19	28	28	25	20	27	28	24	19	25	26	23	18
		KW	1.92	1.97	2.06	2.15	2.12	2.19	2.28	2.38	2.31	2.38	2.48	2.59	2.47	2.54	2.65	2.76	2.61	2.68	2.80	2.92	2.72	2.80	2.92	3.05
		AMPS	10.4	10.6	11.0	11.4	11.2	11.5	11.9	12.3	12.2	12.5	12.9	13.4	13.0	13.4	13.8	14.3	13.9	14.2	14.7	15.2	14.7	15.1	15.6	16.2
	1050	HI PR	200	215	227	237	224	241	255	266	255	275	290	302	291	313	330	345	327	352	372	388	361	389	411	428
		LO PR	97	104	113	120	103	109	120	127	107	114	124	132	112	120	131	139	118	125	137	146	122	130	141	151
		MBh	33.1	33.8	36.1	38.6	32.3	33.0	35.3	37.7	31.6	32.3	34.5	36.8	30.8	31.5	33.6	35.9	29.3	29.9	31.9	34.1	27.1	27.7	29.6	31.6
		S/T	0.96	0.90	0.73	0.55	1.00	0.94	0.76	0.57	1.00	0.96	0.78	0.58	1.00	0.99	0.81	0.60	1.00	1.00	0.84	0.62	1.00	1.00	0.84	0.63
		DT	28	27	23	19	28	27	24	19	28	27	24	19	27	27	24	19	26	26	23	19	24	24	22	17
1350	KW	1.92	1.98	2.07	2.16	2.13	2.19	2.29	2.39	2.32	2.38	2.49	2.59	2.48	2.55	2.66	2.77	2.61	2.69	2.81	2.93	2.73	2.81	2.93	3.06	
	AMPS	10.4	10.7	11.0	11.4	11.3	11.5	11.9	12.4	12.2	12.5	12.9	13.4	13.1	13.4	13.8	14.4	13.9	14.3	14.7	15.3	14.7	15.1	15.6	16.2	
	HI PR	201	216	228	238	225	242	256	267	256	275	291	303	292	314	331	346	328	353	373	389	362	390	412	430	
	LO PR	98	104	113	121	103	110	120	128	107	114	125	133	113	120	131	139	118	126	137	146	122	130	142	151	
	MBh	33.9	34.7	37.0	39.6	33.1	33.9	36.2	38.7	32.3	33.1	35.3	37.8	31.6	32.3	34.5	36.8	30.0	30.6	32.7	35.0	27.8	28.4	30.3	32.4	

85	986	MBh	33.4	34.0	35.6	38.0	32.6	33.2	34.8	37.1	31.8	32.4	34.0	36.2	31.0	31.6	33.1	35.3	29.5	30.0	31.5	33.6	27.3	27.8	29.1	31.1
		S/T	0.99	0.95	0.86	0.70	1.00	0.99	0.89	0.72	1.00	1.00	0.92	0.74	1.00	1.00	0.94	0.77	1.00	1.00	0.98	0.80	1.00	1.00	0.99	0.80
		DT	31	30	29	25	30	31	29	25	30	30	29	25	29	29	29	25	27	28	29	25	25	26	27	23
		KW	1.94	2.00	2.08	2.18	2.15	2.21	2.31	2.41	2.33	2.40	2.50	2.61	2.50	2.57	2.68	2.79	2.63	2.71	2.83	2.95	2.75	2.83	2.95	3.08
		AMPS	10.5	10.7	11.1	11.5	11.3	11.6	12.0	12.4	12.3	12.6	13.0	13.5	13.2	13.5	13.9	14.5	14.0	14.3	14.8	15.4	14.8	15.2	15.7	16.3
	1050	HI PR	202	217	230	239	227	244	258	269	258	277	293	305	294	316	334	348	330	355	375	391	365	393	415	432
		LO PR	98	105	114	122	104	111	121	129	108	115	125	134	113	121	132	140	119	127	138	147	123	131	143	152
		MBh	33.7	34.3	36.0	38.4	32.9	33.5	35.1	37.5	32.1	32.7	34.3	36.6	31.3	31.9	33.5	35.7	29.8	30.3	31.8	33.9	27.6	28.1	29.4	31.4
		S/T	1.00	0.97	0.88	0.71	1.00	1.00	0.91	0.74	1.00	1.00	0.93	0.76	1.00	1.00	0.96	0.78	1.00	1.00	1.00	0.81	1.00	1.00	1.00	0.82
		DT	29	29	28	24	29	29	28	24	28	29	28	24	27	28	28	24	26	27	28	24	24	25	26	22
1350	KW	1.95	2.00	2.09	2.18	2.16	2.22	2.32	2.42	2.34	2.41	2.51	2.62	2.50	2.58	2.69	2.80	2.64	2.72	2.84	2.96	2.76	2.84	2.96	3.09	
	AMPS	10.5	10.8	11.1	11.5	11.4	11.6	12.0	12.5	12.3	12.6	13.1	13.6	13.2	13.5	14.0	14.5	14.0	14.4	14.9	15.4	14.9	15.2	15.8	16.4	
	HI PR	203	218	230	240	227	245	258	269	259	278	294	306	294	317	335	349	331	356	376	393	366	394	416	434	
	LO PR	99	105	115	122	104	111	121	129	108	115	126	134	114	121	132	141	119	127	139	148	123	131	143	153	
	MBh	34.5	35.2	36.9	39.3	33.7	34.4	36.0	38.4	32.9	33.6	35.1	37.5	32.1	32.7	34.3	36.6	30.5	31.1	32.6	34.7	28.3	28.8	30.2	32.2	

AMPS=outdoor unit amps (comp.+fan)
KW=Total system power

* Entering Indoor Dry Bulb Temperature
NOTE: Shaded area is AHRI Rating Conditions
High and low pressures are measured at the liquid and suction service valves.

COOLING PERFORMANCE DATA

GSX130181D*

IDB*	Airflow	Outdoor Ambient Temperature												Entering Indoor Wet Bulb Temperature												
		65				75				85				95				105				115				
		59	63	67	71	59	63	67	71	59	63	67	71	59	63	67	71	59	63	67	71	59	63	67	71	
70	525	MBh	15.6	16.2	17.7	-	15.3	15.8	17.3	-	14.9	15.4	16.9	-	14.5	15.1	16.5	-	13.8	14.3	15.7	-	12.8	13.3	14.5	-
		S/T	0.68	0.56	0.39	-	0.70	0.59	0.41	-	0.72	0.60	0.42	-	0.74	0.62	0.43	-	0.77	0.64	0.45	-	0.78	0.65	0.45	-
		Delta T	19	16	12	-	19	16	12	-	19	16	12	-	19	16	12	-	19	16	12	-	17	15	11	-
		KW	1.22	1.25	1.28	-	1.31	1.34	1.38	-	1.39	1.42	1.46	-	1.46	1.49	1.54	-	1.52	1.55	1.60	-	1.57	1.60	1.65	-
		AMPS	4.4	4.5	4.6	-	4.7	4.9	5.0	-	5.2	5.3	5.5	-	5.5	5.6	5.8	-	5.9	6.0	6.2	-	6.2	6.4	6.6	-
	600	HI PR	218	235	248	-	245	263	278	-	278	300	316	-	317	341	360	-	357	384	405	-	394	424	448	-
		LO PR	103	109	120	-	109	116	126	-	113	120	131	-	119	126	138	-	124	132	144	-	129	137	149	-
		MBh	16.9	17.6	19.2	-	16.5	17.1	18.8	-	16.1	16.7	18.3	-	15.8	16.3	17.9	-	15.0	15.5	17.0	-	13.9	14.4	15.7	-
		S/T	0.70	0.59	0.41	-	0.73	0.61	0.42	-	0.75	0.62	0.43	-	0.77	0.64	0.45	-	0.80	0.67	0.46	-	0.81	0.67	0.47	-
		Delta T	18	16	12	-	18	16	12	-	18	16	12	-	19	16	12	-	18	16	12	-	17	15	11	-
675	KW	1.25	1.28	1.32	-	1.34	1.37	1.41	-	1.42	1.45	1.50	-	1.49	1.53	1.57	-	1.55	1.59	1.64	-	1.61	1.64	1.69	-	
	AMPS	4.5	4.6	4.8	-	4.9	5.0	5.2	-	5.3	5.4	5.6	-	5.7	5.8	6.0	-	6.0	6.2	6.4	-	6.4	6.5	6.8	-	
	HI PR	225	242	256	-	252	272	287	-	287	309	326	-	327	352	371	-	368	396	418	-	406	437	462	-	
	LO PR	106	113	123	-	112	119	130	-	116	124	135	-	122	130	142	-	128	136	149	-	133	141	154	-	
	MBh	17.4	18.1	19.8	-	17.0	17.7	19.3	-	16.6	17.2	18.9	-	16.2	16.8	18.4	-	15.4	16.0	17.5	-	14.3	14.8	16.2	-	

IDB*	Airflow	Outdoor Ambient Temperature												Entering Indoor Wet Bulb Temperature												
		65				75				85				95				105				115				
		59	63	67	71	59	63	67	71	59	63	67	71	59	63	67	71	59	63	67	71	59	63	67	71	
75	525	MBh	15.9	16.4	17.7	19.0	15.5	16.0	17.3	18.6	15.2	15.6	16.9	18.1	14.8	15.2	16.5	17.7	14.0	14.5	15.7	16.8	13.0	13.4	14.5	15.6
		S/T	0.77	0.69	0.52	0.33	0.80	0.71	0.54	0.35	0.82	0.73	0.55	0.36	0.84	0.75	0.57	0.37	0.88	0.78	0.59	0.38	0.88	0.79	0.60	0.38
		Delta T	21	20	16	11	22	20	16	11	22	20	16	11	22	20	16	11	22	20	16	11	20	19	15	10
		KW	1.23	1.26	1.29	1.33	1.32	1.35	1.39	1.43	1.40	1.43	1.47	1.52	1.47	1.50	1.55	1.60	1.53	1.56	1.61	1.66	1.58	1.61	1.67	1.72
		AMPS	4.4	4.5	4.7	4.9	4.8	4.9	5.1	5.3	5.2	5.3	5.5	5.7	5.6	5.7	5.9	6.1	5.9	6.1	6.3	6.5	6.3	6.4	6.6	6.9
	600	HI PR	220	237	250	261	247	266	281	293	281	303	320	333	320	345	364	380	360	388	409	427	398	428	452	472
		LO PR	104	111	121	129	110	117	128	136	114	121	133	141	120	128	139	148	126	134	146	155	130	138	151	161
		MBh	17.2	17.7	19.2	20.6	16.8	17.3	18.7	20.1	16.4	16.9	18.3	19.6	16.0	16.5	17.9	19.2	15.2	15.7	17.0	18.2	14.1	14.5	15.7	16.9
		S/T	0.80	0.71	0.54	0.35	0.83	0.74	0.56	0.36	0.85	0.76	0.57	0.37	0.87	0.78	0.59	0.38	0.91	0.81	0.61	0.40	0.92	0.82	0.62	0.40
		Delta T	21	19	16	11	21	20	16	11	21	20	16	11	21	20	16	11	21	19	16	11	20	18	15	10
675	KW	1.26	1.29	1.33	1.37	1.35	1.38	1.42	1.47	1.43	1.46	1.51	1.56	1.51	1.54	1.59	1.64	1.57	1.60	1.65	1.71	1.62	1.66	1.71	1.76	
	AMPS	4.6	4.7	4.8	5.0	4.9	5.0	5.2	5.4	5.3	5.5	5.7	5.9	5.7	5.8	6.0	6.3	6.1	6.2	6.4	6.7	6.4	6.6	6.8	7.1	
	HI PR	227	244	258	269	255	274	290	302	290	312	329	344	330	355	375	391	371	400	422	440	410	442	466	486	
	LO PR	107	114	124	133	113	120	131	140	118	125	137	146	124	131	144	153	130	138	150	160	134	143	156	166	
	MBh	17.7	18.3	19.8	21.2	17.3	17.8	19.3	20.7	16.9	17.4	18.8	20.2	16.5	17.0	18.4	19.7	15.7	16.1	17.5	18.7	14.5	15.0	16.2	17.4	

* Entering Indoor Dry Bulb Temperature

NOTE: Shaded area is ACCA (TVA) conditions

High and low pressures are measured at the liquid and suction service valves.

AMPS=Outdoor unit amps (comp.+fan)

KW=Total system power

COOLING PERFORMANCE DATA

GSX130181D*

MODEL: GSX130181D* / CA*F1824*6D* **EXPANDED PERFORMANCE DATA** **COOLING OPERATION**

IDB*	Airflow	Outdoor Ambient Temperature																													
		65					75					85					95					105					115				
		59	63	67	71	75	59	63	67	71	75	59	63	67	71	75	59	63	67	71	75	59	63	67	71	75	59	63	67	71	75
80	525	MBh	16.2	16.5	17.7	18.9	15.8	16.1	17.3	18.4	15.4	15.8	16.8	18.0	15.0	15.4	16.4	17.6	14.3	14.6	15.6	16.7	13.2	13.5	14.5	15.5					
		S/T	0.84	0.79	0.64	0.48	0.87	0.82	0.67	0.50	0.90	0.84	0.68	0.51	0.92	0.87	0.71	0.53	0.96	0.90	0.73	0.55	0.97	0.91	0.74	0.55					
		Delta T	24	23	20	16	24	23	20	16	24	23	20	16	24	23	20	16	24	23	20	16	22	22	19	15					
		KW	1.24	1.27	1.30	1.34	1.33	1.36	1.40	1.44	1.41	1.44	1.49	1.53	1.48	1.51	1.56	1.61	1.54	1.58	1.63	1.68	1.59	1.63	1.68	1.73					
		AMPS	4.5	4.6	4.7	4.9	4.8	5.0	5.1	5.3	5.2	5.4	5.6	5.8	5.6	5.7	5.9	6.2	6.0	6.1	6.3	6.6	6.3	6.5	6.7	6.9					
		HIPR	2.23	2.40	2.53	2.64	2.50	2.69	2.84	2.96	2.84	3.06	3.23	3.37	3.24	3.48	3.68	3.83	3.64	3.92	4.14	4.31	4.02	4.33	4.57	4.77					
		LO PR	1.05	1.12	1.22	1.30	1.11	1.18	1.29	1.37	1.15	1.23	1.34	1.43	1.21	1.29	1.41	1.50	1.27	1.35	1.47	1.57	1.31	1.40	1.52	1.62					
		MBh	17.5	17.9	19.1	20.5	17.1	17.5	18.7	20.0	16.7	17.1	18.2	19.5	16.3	16.7	17.8	19.0	15.5	15.8	16.9	18.1	14.3	14.7	15.7	16.7					
		S/T	0.87	0.82	0.67	0.50	0.91	0.85	0.69	0.52	0.93	0.87	0.71	0.53	0.96	0.90	0.73	0.55	1.00	0.93	0.76	0.57	1.00	0.94	0.77	0.57					
		Delta T	23	23	20	16	24	23	20	16	24	23	20	16	24	23	20	16	24	23	20	16	22	21	18	15					
80	600	KW	1.27	1.30	1.34	1.38	1.36	1.39	1.43	1.48	1.45	1.48	1.52	1.57	1.52	1.55	1.60	1.65	1.58	1.61	1.67	1.72	1.63	1.67	1.72	1.78					
		AMPS	4.6	4.7	4.9	5.0	5.0	5.1	5.3	5.4	5.4	5.5	5.7	5.9	5.8	5.9	6.1	6.3	6.1	6.3	6.5	6.7	6.5	6.7	6.9	7.1					
		HIPR	2.29	2.47	2.61	2.72	2.57	2.77	2.93	3.05	2.93	3.15	3.33	3.47	3.34	3.59	3.79	3.95	3.75	4.04	4.26	4.45	4.15	4.46	4.71	4.91					
		LO PR	1.08	1.15	1.26	1.34	1.14	1.22	1.33	1.41	1.19	1.26	1.38	1.47	1.25	1.33	1.45	1.54	1.31	1.39	1.52	1.62	1.35	1.44	1.57	1.67					
		MBh	18.1	18.4	19.7	21.1	17.6	18.0	19.3	20.6	17.2	17.6	18.8	20.1	16.8	17.2	18.3	19.6	16.0	16.3	17.4	18.6	14.8	15.1	16.1	17.2					
		S/T	0.92	0.86	0.70	0.52	0.95	0.89	0.73	0.54	1.00	0.91	0.74	0.56	1.00	0.94	0.77	0.57	1.00	1.00	0.80	0.60	1.00	1.00	0.80	0.60					
		Delta T	23	22	19	15	23	22	19	15	23	22	19	15	23	22	19	15	22	22	19	15	20	21	18	14					
		KW	1.28	1.31	1.35	1.39	1.37	1.40	1.45	1.49	1.46	1.49	1.53	1.58	1.53	1.56	1.61	1.67	1.59	1.63	1.68	1.73	1.65	1.68	1.74	1.79					
		AMPS	4.6	4.8	4.9	5.1	5.0	5.1	5.3	5.5	5.4	5.6	5.8	6.0	5.8	6.0	6.2	6.4	6.2	6.3	6.6	6.8	6.6	6.7	6.9	7.2					
		HIPR	2.32	2.49	2.63	2.75	2.60	2.80	2.96	3.08	2.96	3.18	3.36	3.51	3.37	3.63	3.83	3.99	3.79	4.08	4.31	4.49	4.19	4.51	4.76	4.96					
LO PR	1.09	1.16	1.27	1.35	1.16	1.23	1.34	1.43	1.20	1.28	1.39	1.48	1.26	1.34	1.46	1.56	1.32	1.41	1.53	1.63	1.37	1.45	1.59	1.69							
85	525	MBh	16.5	16.8	17.6	18.7	16.1	16.4	17.2	18.3	15.7	16.0	16.8	17.9	15.3	15.6	16.3	17.4	14.5	14.8	15.5	16.6	13.5	13.7	14.4	15.3					
		S/T	0.88	0.85	0.77	0.62	0.92	0.88	0.80	0.65	0.94	0.91	0.82	0.66	0.97	0.94	0.84	0.68	1.00	0.97	0.88	0.71	1.00	0.98	0.88	0.72					
		Delta T	25	25	24	20	26	25	24	21	26	25	24	21	26	26	24	21	25	25	24	21	24	24	22	19					
		KW	1.25	1.28	1.31	1.35	1.34	1.37	1.41	1.46	1.42	1.45	1.50	1.55	1.49	1.53	1.57	1.62	1.55	1.59	1.64	1.69	1.61	1.64	1.69	1.75					
		AMPS	4.5	4.6	4.8	4.9	4.9	5.0	5.2	5.3	5.3	5.4	5.6	5.8	5.7	5.8	6.0	6.2	6.0	6.2	6.4	6.6	6.4	6.5	6.7	7.0					
		HIPR	2.25	2.42	2.55	2.66	2.52	2.71	2.87	2.99	2.87	3.09	3.26	3.40	3.27	3.52	3.71	3.87	3.68	3.96	4.18	4.36	4.06	4.37	4.62	4.81					
		LO PR	1.06	1.13	1.23	1.31	1.12	1.19	1.30	1.39	1.16	1.24	1.35	1.44	1.22	1.30	1.42	1.51	1.28	1.36	1.49	1.59	1.33	1.41	1.54	1.64					
		MBh	17.8	18.2	19.0	20.3	17.4	17.8	18.6	19.8	17.0	17.3	18.2	19.4	16.6	16.9	17.7	18.9	15.8	16.1	16.8	18.0	14.6	14.9	15.6	16.6					
		S/T	0.92	0.88	0.80	0.65	0.95	0.92	0.83	0.67	0.97	0.94	0.85	0.69	1.00	0.97	0.88	0.71	1.00	1.00	0.91	0.74	1.00	1.00	0.92	0.74					
		Delta T	25	25	23	20	25	25	24	20	25	25	24	20	25	25	24	21	24	25	23	20	22	23	22	19					
85	600	KW	1.28	1.31	1.35	1.39	1.37	1.40	1.45	1.49	1.46	1.49	1.53	1.58	1.53	1.56	1.61	1.67	1.59	1.63	1.68	1.73	1.65	1.68	1.74	1.79					
		AMPS	4.6	4.8	4.9	5.1	5.0	5.1	5.3	5.5	5.4	5.6	5.8	6.0	5.8	6.0	6.2	6.4	6.2	6.3	6.6	6.8	6.6	6.7	6.9	7.2					
		HIPR	2.32	2.49	2.63	2.75	2.60	2.80	2.96	3.08	2.96	3.18	3.36	3.51	3.37	3.63	3.83	3.99	3.79	4.08	4.31	4.49	4.19	4.51	4.76	4.96					
		LO PR	1.09	1.16	1.27	1.35	1.16	1.23	1.34	1.43	1.20	1.28	1.39	1.48	1.26	1.34	1.46	1.56	1.32	1.41	1.53	1.63	1.37	1.45	1.59	1.69					
		MBh	18.4	18.7	19.6	20.9	17.9	18.3	19.2	20.4	17.5	17.9	18.7	19.9	17.1	17.4	18.2	19.5	16.2	16.5	17.3	18.5	15.0	15.3	16.1	17.1					
		S/T	0.96	0.93	0.84	0.68	1.00	0.96	0.87	0.70	1.00	0.99	0.89	0.72	1.00	1.00	0.92	0.74	1.00	1.00	0.95	0.77	1.00	1.00	0.96	0.78					
		Delta T	24	24	22	19	24	24	23	20	24	24	23	20	23	24	23	20	22	23	22	19	20	21	21	18					
		KW	1.29	1.32	1.36	1.40	1.39	1.41	1.46	1.50	1.47	1.50	1.55	1.60	1.54	1.58	1.63	1.68	1.61	1.64	1.69	1.75	1.66	1.70	1.75	1.81					
		AMPS	4.7	4.8	5.0	5.1	5.1	5.2	5.3	5.5	5.5	5.6	5.8	6.0	5.9	6.0	6.2	6.4	6.2	6.4	6.6	6.9	6.6	6.8	7.0	7.3					
		HIPR	2.34	2.52	2.66	2.77	2.63	2.83	2.98	3.11	2.99	3.21	3.39	3.54	3.40	3.66	3.87	4.03	3.83	4.12	4.35	4.54	4.23	4.55	4.81	5.01					
LO PR	1.10	1.17	1.28	1.37	1.17	1.24	1.35	1.44	1.21	1.29	1.41	1.50	1.27	1.35	1.48	1.58	1.33	1.42	1.55	1.65	1.38	1.47	1.60	1.71							

* Entering Indoor Dry Bulb Temperature
 High and low pressures are measured at the liquid and suction service valves.
 NOTE: Shaded area is AHRI Rating Conditions
 AMP S= outdoor unit amps (comp.+fan)
 KW= Total system power

COOLING PERFORMANCE DATA

GSX130241D*

IDB*	Airflow	Outdoor Ambient Temperature																																
		65					75					85					95					105					115							
		59	63	67	71	75	59	63	67	71	75	59	63	67	71	75	59	63	67	71	75	59	63	67	71	75	59	63	67	71	75			
70	700	MBh	20.2	20.9	22.9	-	19.7	20.4	22.4	-	19.3	20.0	21.9	-	18.8	19.5	21.3	-	17.8	18.5	20.3	-	17.8	18.5	20.3	-	17.8	18.5	20.3	-	16.5	17.1	18.8	-
		S/T	0.67	0.56	0.39	-	0.70	0.58	0.40	-	0.71	0.60	0.41	-	0.74	0.62	0.43	-	0.76	0.64	0.44	-	0.76	0.64	0.44	-	0.77	0.64	0.45	-	0.77	0.64	0.45	-
		Delta T	18	15	12	-	18	16	12	-	18	16	12	-	18	16	12	-	18	16	12	-	18	16	12	-	17	14	11	-	17	14	11	-
		KW	1.58	1.61	1.66	-	1.69	1.73	1.78	-	1.79	1.83	1.89	-	1.88	1.92	1.98	-	1.96	2.00	2.06	-	1.96	2.00	2.06	-	2.02	2.06	2.13	-	2.02	2.06	2.13	-
		AMPS	5.6	5.7	5.9	-	6.1	6.2	6.4	-	6.6	6.7	7.0	-	7.0	7.2	7.4	-	7.5	7.7	7.9	-	7.5	7.7	7.9	-	7.9	8.1	8.4	-	7.9	8.1	8.4	-
	800	HI PR	219	236	249	-	246	265	280	-	280	301	318	-	319	343	362	-	359	386	407	-	359	386	407	-	396	426	450	-	396	426	450	-
		LO PR	101	107	117	-	106	113	124	-	111	118	129	-	116	124	135	-	122	130	141	-	122	130	141	-	126	134	146	-	126	134	146	-
		MBh	21.9	22.7	24.8	-	21.4	22.2	24.3	-	20.9	21.6	23.7	-	20.4	21.1	23.1	-	19.3	20.0	22.0	-	19.3	20.0	22.0	-	17.9	18.6	20.3	-	17.9	18.6	20.3	-
		S/T	0.70	0.58	0.40	-	0.72	0.60	0.42	-	0.74	0.62	0.43	-	0.76	0.64	0.44	-	0.79	0.66	0.46	-	0.79	0.66	0.46	-	0.80	0.67	0.46	-	0.80	0.67	0.46	-
		Delta T	18	15	12	-	18	15	12	-	18	15	12	-	18	15	12	-	18	15	12	-	18	15	12	-	16	14	11	-	16	14	11	-
900	KW	1.62	1.65	1.70	-	1.73	1.77	1.82	-	1.84	1.87	1.93	-	1.93	1.97	2.03	-	2.00	2.05	2.11	-	2.00	2.05	2.11	-	2.07	2.11	2.18	-	2.07	2.11	2.18	-	
	AMPS	5.8	5.9	6.1	-	6.2	6.4	6.6	-	6.8	6.9	7.2	-	7.2	7.4	7.7	-	7.7	7.9	8.1	-	7.7	7.9	8.1	-	8.2	8.4	8.6	-	8.2	8.4	8.6	-	
	HI PR	226	243	257	-	254	273	288	-	288	310	328	-	329	354	373	-	370	398	420	-	370	398	420	-	408	440	464	-	408	440	464	-	
	LO PR	104	111	121	-	110	117	127	-	114	121	132	-	120	127	139	-	126	134	146	-	126	134	146	-	130	138	151	-	130	138	151	-	
	MBh	22.5	23.4	25.6	-	22.0	22.8	25.0	-	21.5	22.3	24.4	-	21.0	21.7	23.8	-	19.9	20.6	22.6	-	19.9	20.6	22.6	-	18.4	19.1	21.0	-	18.4	19.1	21.0	-	

75	700	MBh	20.5	21.1	22.9	24.6	20.1	20.7	22.4	24.0	19.6	20.2	21.8	23.4	19.1	19.7	21.3	22.9	18.2	18.7	20.2	21.7	16.8	17.3	18.7	20.1
		S/T	0.76	0.68	0.52	0.33	0.79	0.71	0.54	0.34	0.81	0.73	0.55	0.35	0.84	0.75	0.57	0.36	0.87	0.78	0.59	0.38	0.88	0.78	0.59	0.38
		Delta T	21	19	16	11	21	19	16	11	21	19	16	11	21	19	16	11	21	19	16	11	19	18	15	10
		KW	1.59	1.62	1.67	1.72	1.71	1.74	1.79	1.85	1.81	1.84	1.90	1.96	1.90	1.94	2.00	2.06	1.97	2.01	2.08	2.14	2.04	2.08	2.15	2.22
		AMPS	5.7	5.8	6.0	6.2	6.1	6.3	6.5	6.7	6.6	6.8	7.0	7.3	7.1	7.3	7.5	7.8	7.6	7.7	8.0	8.3	8.0	8.2	8.5	8.8
	800	HI PR	222	238	252	263	249	267	282	295	283	304	321	335	322	346	366	382	362	390	412	429	400	431	455	474
		LO PR	102	108	118	126	108	114	125	133	112	119	130	138	117	125	136	145	123	131	143	152	127	135	148	157
		MBh	22.3	22.9	24.8	26.6	21.7	22.4	24.2	26.0	21.2	21.8	23.6	25.4	20.7	21.3	23.1	24.8	19.7	20.2	21.9	23.5	18.2	18.8	20.3	21.8
		S/T	0.79	0.71	0.54	0.34	0.82	0.73	0.56	0.36	0.84	0.75	0.57	0.37	0.87	0.78	0.59	0.38	0.90	0.81	0.61	0.39	0.91	0.81	0.62	0.40
		Delta T	20	19	15	11	20	19	15	11	21	19	15	11	21	19	16	11	20	19	15	11	19	18	14	10
900	KW	1.63	1.66	1.71	1.76	1.75	1.78	1.84	1.89	1.85	1.89	1.95	2.01	1.94	1.98	2.04	2.11	2.02	2.06	2.13	2.20	2.09	2.13	2.20	2.27	
	AMPS	5.8	6.0	6.2	6.4	6.3	6.4	6.7	6.9	6.8	7.0	7.2	7.5	7.3	7.5	7.7	8.0	7.8	8.0	8.2	8.5	8.2	8.4	8.7	9.1	
	HI PR	228	246	260	271	256	276	291	304	291	314	331	345	332	357	377	393	373	402	424	443	413	444	469	489	
	LO PR	105	112	122	130	111	118	129	137	115	123	134	143	121	129	141	150	127	135	147	157	131	140	152	162	
	MBh	22.9	23.6	25.5	27.4	22.4	23.0	24.9	26.8	21.9	22.5	24.4	26.1	21.3	22.0	23.8	25.5	20.3	20.9	22.6	24.2	18.8	19.3	20.9	22.4	

* Entering Indoor Dry Bulb Temperature
High and low pressures are measured at the liquid and suction service valves.

NOTE: Shaded area is ACCA (TVA) conditions

AMP S= outdoor unit amps (comp. fan)
KW= Total system power

COOLING PERFORMANCE DATA

GSX130241D*

MODEL: GSX130241D* / CA *F1824*6D* **EXPANDED PERFORMANCE DATA** **COOLING OPERATION**

IDB*	Airflow	Outdoor Ambient Temperature																													
		65					75					85					95					105					115				
		59	63	67	71	75	59	63	67	71	75	59	63	67	71	75	59	63	67	71	75	59	63	67	71	75	59	63	67	71	75
80	700	MBh	20.9	21.4	22.8	24.4	20.4	20.9	22.3	23.8	23.3	19.9	20.4	21.8	23.3	19.4	19.9	21.2	22.7	18.5	18.9	20.2	21.6	17.1	17.5	18.7	20.0				
		S/T	0.84	0.79	0.64	0.48	0.87	0.81	0.66	0.50	0.89	0.83	0.68	0.51	0.92	0.86	0.70	0.52	0.95	0.89	0.73	0.54	0.96	0.90	0.73	0.55					
		Delta T	23	22	19	15	23	22	19	15	23	22	19	16	23	22	20	16	23	22	19	15	22	21	18	14					
		KW	1.60	1.63	1.68	1.73	1.72	1.75	1.81	1.86	1.82	1.86	1.92	1.98	1.91	1.91	1.95	2.01	2.08	1.99	2.03	2.09	2.16	2.05	2.10	2.16	2.23				
		AMPS	5.7	5.9	6.0	6.3	6.2	6.3	6.5	6.8	6.7	6.9	7.1	7.4	7.2	7.3	7.6	7.9	7.6	7.6	7.8	8.1	8.4	8.1	8.3	8.6	8.9				
		HIPR	2.24	2.41	2.54	2.65	2.51	2.70	2.85	2.98	2.86	3.07	3.24	3.38	3.25	3.50	3.70	3.85	3.66	3.94	4.16	4.34	4.04	4.35	4.59	4.79					
		LO PR	1.03	1.09	1.19	1.27	1.09	1.16	1.26	1.34	1.13	1.20	1.31	1.40	1.19	1.26	1.38	1.47	1.24	1.32	1.44	1.54	1.29	1.37	1.49	1.59					
		MBh	22.6	23.1	24.7	26.4	22.1	22.6	24.2	25.8	21.6	22.1	23.6	25.2	21.1	21.5	23.0	24.6	20.0	20.5	21.9	23.4	18.5	18.9	20.2	21.6					
		S/T	0.87	0.81	0.66	0.50	0.90	0.84	0.69	0.51	0.92	0.87	0.70	0.53	0.95	0.89	0.73	0.54	0.99	0.93	0.75	0.56	1.00	0.93	0.76	0.57					
		Delta T	23	22	19	15	23	22	19	15	23	22	19	15	23	22	19	15	23	22	19	15	21	20	18	14					
80	800	KW	1.64	1.67	1.72	1.78	1.76	1.79	1.85	1.91	1.86	1.90	1.96	2.02	1.96	2.00	2.06	2.13	2.04	2.08	2.15	2.21	2.10	2.15	2.22	2.29					
		AMPS	5.9	6.0	6.2	6.4	6.3	6.5	6.7	7.0	6.9	7.1	7.3	7.6	7.4	7.5	7.8	8.1	7.8	8.0	8.3	8.6	8.3	8.5	8.8	9.1					
		HIPR	2.31	2.48	2.62	2.73	2.59	2.79	2.94	3.07	2.94	3.17	3.35	3.49	3.35	3.61	3.81	3.97	3.77	4.06	4.29	4.47	4.17	4.48	4.74	4.94					
		LO PR	1.06	1.13	1.23	1.31	1.12	1.19	1.30	1.39	1.16	1.24	1.35	1.44	1.22	1.30	1.42	1.51	1.28	1.36	1.49	1.58	1.33	1.41	1.54	1.64					
		MBh	23.3	23.8	25.5	27.2	22.8	23.3	24.9	26.6	22.2	22.7	24.3	26.0	21.7	22.2	23.7	25.3	20.6	21.1	22.5	24.1	19.1	19.5	20.8	22.3					
		S/T	0.91	0.85	0.69	0.52	0.94	0.88	0.72	0.54	0.97	0.91	0.74	0.55	1.00	0.94	0.76	0.57	1.00	1.00	0.79	0.59	1.00	1.00	0.80	0.60					
		Delta T	22	21	18	14	22	21	18	15	22	21	18	15	22	21	18	15	21	22	18	15	20	20	17	14					
		KW	1.65	1.69	1.74	1.79	1.77	1.81	1.86	1.92	1.88	1.92	1.98	2.04	1.97	2.01	2.08	2.14	2.05	2.10	2.16	2.23	2.12	2.17	2.24	2.31					
		AMPS	5.9	6.1	6.3	6.5	6.4	6.6	6.8	7.0	7.0	7.1	7.4	7.6	7.4	7.6	7.9	8.2	7.9	8.1	8.4	8.7	8.4	8.6	8.9	9.2					
		HIPR	2.33	2.51	2.65	2.76	2.61	2.81	2.97	3.10	2.97	3.20	3.38	3.52	3.39	3.64	3.85	4.01	3.81	4.10	4.33	4.52	4.21	4.53	4.78	4.99					
LO PR	1.07	1.14	1.24	1.32	1.13	1.20	1.31	1.40	1.18	1.25	1.37	1.45	1.23	1.31	1.43	1.53	1.29	1.38	1.50	1.60	1.34	1.42	1.55	1.66							
85	700	MBh	21.3	21.7	22.7	24.2	20.8	21.2	22.2	23.7	23.1	20.3	20.7	21.7	23.1	19.8	20.2	21.1	22.5	18.8	19.2	20.1	21.4	17.4	17.7	18.6	19.8				
		S/T	0.88	0.85	0.76	0.62	0.91	0.88	0.79	0.64	0.93	0.90	0.81	0.66	0.96	0.93	0.84	0.68	1.00	0.96	0.87	0.71	1.00	0.97	0.88	0.71					
		Delta T	25	24	23	20	25	24	23	20	25	24	23	20	25	25	23	20	25	24	23	20	23	23	21	19					
		KW	1.61	1.65	1.70	1.75	1.73	1.77	1.82	1.88	1.83	1.87	1.93	1.99	1.93	1.97	2.03	2.09	2.00	2.05	2.11	2.18	2.07	2.11	2.18	2.25					
		AMPS	5.8	5.9	6.1	6.3	6.2	6.4	6.6	6.8	6.8	6.9	7.2	7.4	7.2	7.4	7.7	7.9	7.7	7.9	8.1	8.5	8.2	8.4	8.6	9.0					
		HIPR	2.26	2.43	2.57	2.68	2.54	2.73	2.88	3.01	2.88	3.10	3.28	3.42	3.28	3.53	3.73	3.89	3.70	3.98	4.20	4.38	4.08	4.39	4.64	4.84					
		LO PR	1.04	1.10	1.21	1.28	1.10	1.17	1.27	1.36	1.14	1.21	1.32	1.41	1.20	1.27	1.39	1.48	1.26	1.34	1.46	1.55	1.30	1.38	1.51	1.61					
		MBh	23.0	23.5	24.6	26.2	22.5	22.9	24.0	25.6	22.0	22.4	23.5	25.0	21.4	21.9	22.9	24.4	20.4	20.8	21.7	23.2	18.9	19.2	20.1	21.5					
		S/T	0.91	0.88	0.79	0.64	0.94	0.91	0.82	0.67	0.97	0.93	0.84	0.68	1.00	0.96	0.87	0.71	1.00	1.00	0.90	0.73	1.00	1.00	0.91	0.74					
		Delta T	24	24	22	19	24	24	23	20	24	24	23	20	25	24	23	20	23	24	23	20	22	22	21	18					
85	800	KW	1.65	1.69	1.74	1.79	1.77	1.81	1.86	1.92	1.88	1.92	1.98	2.04	1.97	2.01	2.08	2.14	2.05	2.10	2.16	2.23	2.12	2.17	2.24	2.31					
		AMPS	5.9	6.1	6.3	6.5	6.4	6.6	6.8	7.0	7.0	7.1	7.4	7.6	7.4	7.6	7.9	8.2	7.9	8.1	8.4	8.7	8.4	8.6	8.9	9.2					
		HIPR	2.33	2.51	2.65	2.76	2.61	2.81	2.97	3.10	2.97	3.20	3.38	3.52	3.39	3.64	3.85	4.01	3.81	4.10	4.33	4.52	4.21	4.53	4.78	4.99					
		LO PR	1.07	1.14	1.24	1.32	1.13	1.20	1.31	1.40	1.18	1.25	1.37	1.45	1.23	1.31	1.43	1.53	1.29	1.38	1.50	1.60	1.34	1.42	1.55	1.66					
		MBh	23.7	24.2	25.3	27.0	23.2	23.6	24.8	26.4	22.6	23.1	24.2	25.8	22.1	22.5	23.6	25.1	21.0	21.4	22.4	23.9	19.4	19.8	20.7	22.1					
		S/T	0.95	0.92	0.83	0.67	0.99	0.95	0.86	0.70	1.00	0.98	0.88	0.72	1.00	1.00	0.91	0.74	1.00	1.00	0.95	0.77	1.00	1.00	0.95	0.77					
		Delta T	23	23	22	19	23	23	22	19	23	23	22	19	23	23	22	19	21	22	22	19	20	20	20	17					
		KW	1.66	1.70	1.75	1.80	1.79	1.82	1.88	1.94	1.89	1.93	1.99	2.06	1.99	2.03	2.09	2.16	2.07	2.11	2.18	2.25	2.14	2.18	2.25	2.33					
		AMPS	6.0	6.1	6.3	6.6	6.5	6.6	6.8	7.1	7.0	7.2	7.4	7.7	7.5	7.7	7.9	8.2	8.0	8.2	8.5	8.8	8.5	8.7	9.0	9.3					
		HIPR	2.35	2.53	2.67	2.79	2.64	2.84	3.00	3.13	3.00	3.23	3.41	3.56	3.42	3.68	3.89	4.05	3.85	4.14	4.37	4.56	4.25	4.57	4.83	5.04					
LO PR	1.08	1.15	1.26	1.34	1.14	1.22	1.33	1.41	1.19	1.26	1.38	1.47	1.25	1.33	1.45	1.54	1.31	1.39	1.52	1.62	1.35	1.44	1.57	1.67							

* Entering Indoor Dry Bulb Temperature
High and low pressures are measured at the liquid and suction service valves.
NOTE: Shaded area is AHRI Rating Conditions
AMPS=Outdoor unit amps (comp.+fan)
KW=Total system power

COOLING PERFORMANCE DATA

GSX130301DA

IDB*	Airflow	Outdoor Ambient Temperature																								
		65				75				85				95				105				115				
		59	63	67	71	59	63	67	71	59	63	67	71	59	63	67	71	59	63	67	71	59	63	67	71	
70	919	MBh	24.9	25.8	28.3	-	24.4	25.2	27.7	-	23.8	24.6	27.0	-	23.2	24.0	26.3	-	22.0	22.8	25.0	-	20.4	21.2	23.2	-
		S/T	0.67	0.56	0.39	-	0.70	0.58	0.40	-	0.71	0.60	0.41	-	0.74	0.62	0.43	-	0.76	0.64	0.44	-	0.77	0.64	0.45	-
		Delta T	17	15	11	-	17	15	11	-	17	15	11	-	17	15	11	-	17	15	11	-	16	14	10	-
		KW	1.97	2.01	2.07	-	2.11	2.16	2.22	-	2.24	2.28	2.36	-	2.35	2.40	2.47	-	2.44	2.50	2.57	-	2.52	2.58	2.66	-
		AMPS	6.7	6.9	7.1	-	7.3	7.5	7.7	-	7.9	8.1	8.4	-	8.5	8.7	9.0	-	9.0	9.2	9.6	-	9.6	9.8	10.1	-
	1050	HI PR	236	254	268	-	265	285	301	-	301	324	342	-	343	369	390	-	386	415	438	-	426	459	484	-
		LO PR	103	109	120	-	109	116	126	-	113	120	131	-	119	126	138	-	124	132	144	-	129	137	149	-
		MBh	27.0	28.0	30.7	-	26.4	27.4	30.0	-	25.8	26.7	29.3	-	25.1	26.1	28.5	-	23.9	24.7	27.1	-	22.1	22.9	25.1	-
		S/T	0.70	0.58	0.40	-	0.72	0.60	0.42	-	0.74	0.62	0.43	-	0.76	0.64	0.44	-	0.79	0.66	0.46	-	0.80	0.67	0.46	-
		Delta T	16	14	11	-	17	14	11	-	17	14	11	-	17	15	11	-	17	14	11	-	15	13	10	-
1181	KW	2.02	2.06	2.12	-	2.16	2.21	2.27	-	2.29	2.34	2.41	-	2.41	2.46	2.53	-	2.50	2.56	2.64	-	2.59	2.64	2.73	-	
	AMPS	6.9	7.1	7.3	-	7.5	7.7	7.9	-	8.1	8.3	8.6	-	8.7	8.9	9.2	-	9.3	9.5	9.8	-	9.8	10.1	10.4	-	
	HI PR	243	262	276	-	273	294	310	-	310	334	353	-	354	381	402	-	398	428	452	-	440	473	499	-	
	LO PR	106	113	123	-	112	119	130	-	116	124	135	-	122	130	142	-	128	136	149	-	133	141	154	-	
	MBh	27.8	28.8	31.6	-	27.2	28.2	30.9	-	26.5	27.5	30.1	-	25.9	26.8	29.4	-	24.6	25.5	27.9	-	22.8	23.6	25.9	-	

IDB*	Airflow	Outdoor Ambient Temperature																								
		65				75				85				95				105				115				
		59	63	67	71	59	63	67	71	59	63	67	71	59	63	67	71	59	63	67	71	59	63	67	71	
75	919	MBh	25.4	26.1	28.3	30.3	24.8	25.5	27.6	29.6	24.2	24.9	26.9	28.9	23.6	24.3	26.3	28.2	22.4	23.1	25.0	26.8	20.8	21.4	23.1	24.8
		S/T	0.76	0.68	0.52	0.33	0.79	0.71	0.54	0.34	0.81	0.73	0.55	0.35	0.84	0.75	0.57	0.36	0.87	0.78	0.59	0.38	0.88	0.78	0.59	0.38
		Delta T	19	18	15	10	20	18	15	10	20	18	15	10	20	18	15	10	19	18	15	10	18	17	14	9
		KW	1.99	2.02	2.08	2.15	2.13	2.17	2.24	2.31	2.26	2.30	2.37	2.45	2.37	2.42	2.49	2.57	2.46	2.52	2.60	2.68	2.55	2.60	2.68	2.77
		AMPS	6.8	7.0	7.2	7.5	7.3	7.5	7.8	8.1	8.0	8.2	8.5	8.8	8.5	8.8	9.1	9.4	9.1	9.3	9.6	10.0	9.6	9.9	10.2	10.6
	1050	HI PR	238	267	271	283	267	288	304	317	304	327	346	361	346	373	394	411	390	419	443	462	431	463	489	510
		LO PR	104	111	121	129	110	117	128	136	114	121	133	141	120	128	139	148	126	134	146	155	130	138	151	161
		MBh	27.5	28.3	30.6	32.9	26.8	27.6	29.9	32.1	26.2	27.0	29.2	31.3	25.6	26.3	28.5	30.6	24.3	25.0	27.1	29.0	22.5	23.2	25.1	26.9
		S/T	0.79	0.71	0.54	0.34	0.82	0.73	0.56	0.36	0.84	0.75	0.57	0.37	0.87	0.78	0.59	0.38	0.90	0.81	0.61	0.39	0.91	0.81	0.62	0.40
		Delta T	19	18	14	10	19	18	15	10	19	18	15	10	19	18	15	10	19	18	14	10	18	16	14	9
1181	KW	2.03	2.07	2.13	2.20	2.18	2.22	2.29	2.36	2.31	2.36	2.43	2.51	2.43	2.48	2.56	2.64	2.52	2.58	2.66	2.75	2.61	2.66	2.75	2.84	
	AMPS	7.0	7.1	7.4	7.7	7.6	7.7	8.0	8.4	8.2	8.4	8.7	9.0	8.8	9.0	9.3	9.7	9.4	9.6	9.9	10.3	9.9	10.2	10.5	10.9	
	HI PR	246	264	279	291	276	297	313	327	314	337	356	372	357	384	406	423	402	432	457	476	444	478	505	526	
	LO PR	107	114	124	133	113	120	131	140	118	125	137	146	124	131	144	153	130	138	150	160	134	143	156	166	
	MBh	28.3	29.1	31.5	33.9	27.6	28.5	30.8	33.1	27.0	27.8	30.1	32.3	26.3	27.1	29.3	31.5	25.0	25.8	27.9	29.9	23.2	23.9	25.8	27.7	

* Entering Indoor Dry Bulb Temperature
High and low pressures are measured at the liquid and suction service valves.

NOTE: Shaded area is ACCA (TVA) conditions
AMPS=Outdoor unit amps (comp.+fan)
KW= Total system power

COOLING PERFORMANCE DATA

GSX130301DA

MODEL: GSX130301D* / CA*F3030*6D*

EXPANDED PERFORMANCE DATA

COOLING OPERATION

IDB*	Airflow	Outdoor Ambient Temperature																												
		65				75				85				95				105				115								
		59	63	67	71	59	63	67	71	59	63	67	71	59	63	67	71	59	63	67	71	59	63	67	71					
80	919	MBh	25.8	26.4	28.2	30.1	25.2	25.8	27.5	29.4	24.6	25.1	26.9	28.7	24.0	24.5	26.2	28.0	22.8	23.3	24.9	26.6	22.8	23.3	24.9	26.6	21.1	21.6	23.1	24.7
		S/T	0.84	0.79	0.64	0.48	0.87	0.81	0.66	0.50	0.89	0.83	0.68	0.51	0.92	0.86	0.70	0.52	0.95	0.89	0.73	0.56	0.99	0.93	0.75	0.56	1.00	0.93	0.76	0.57
		Delta T	22	21	18	14	22	21	18	15	22	21	18	15	22	21	18	15	22	21	18	14	22	21	18	14	20	19	17	14
		KW	2.00	2.04	2.10	2.16	2.15	2.19	2.26	2.33	2.27	2.32	2.39	2.47	2.39	2.44	2.51	2.59	2.48	2.54	2.62	2.70	2.48	2.54	2.62	2.70	2.57	2.62	2.71	2.79
		AMPS	6.9	7.0	7.2	7.5	7.4	7.6	7.8	8.1	8.1	8.3	8.5	8.9	8.6	8.8	9.1	9.5	9.2	9.4	9.7	10.1	9.2	9.4	9.7	10.1	9.7	10.0	10.3	10.7
		HI PR	2.41	2.59	2.74	2.85	2.70	2.91	3.07	3.20	3.07	3.31	3.49	3.64	3.50	3.77	3.98	4.15	3.94	4.24	4.47	4.67	4.35	4.68	4.94	5.16	4.35	4.68	4.94	5.16
		LO PR	1.05	1.12	1.22	1.30	1.11	1.18	1.29	1.37	1.15	1.23	1.34	1.43	1.21	1.29	1.41	1.50	1.27	1.35	1.47	1.57	1.31	1.40	1.52	1.62	1.31	1.40	1.52	1.62
		MBh	28.0	28.6	30.5	32.6	27.3	27.9	29.8	31.9	26.7	27.2	29.1	31.1	26.0	26.6	28.4	30.4	24.7	25.3	27.0	28.8	24.7	25.3	27.0	28.8	22.9	23.4	25.0	26.7
		S/T	0.87	0.81	0.66	0.50	0.90	0.84	0.69	0.51	0.92	0.87	0.70	0.53	0.95	0.89	0.73	0.54	0.99	0.93	0.75	0.56	1.00	0.93	0.76	0.57	1.00	0.93	0.76	0.57
		Delta T	21	20	18	14	22	21	18	14	22	21	18	14	22	21	18	14	22	21	18	14	21	20	18	14	20	19	17	13
80	1050	KW	2.05	2.09	2.15	2.22	2.20	2.24	2.31	2.38	2.33	2.38	2.45	2.53	2.45	2.50	2.58	2.66	2.54	2.60	2.68	2.77	2.54	2.60	2.68	2.77	2.63	2.69	2.77	2.86
		AMPS	7.0	7.2	7.5	7.7	7.6	7.8	8.1	8.4	8.3	8.5	8.8	9.1	8.9	9.1	9.4	9.8	9.5	9.7	10.0	10.4	10.0	10.3	10.6	11.0	10.0	10.3	10.6	11.0
		HI PR	2.48	2.67	2.82	2.94	2.79	3.00	3.17	3.30	3.17	3.41	3.60	3.75	3.61	3.88	4.10	4.28	4.06	4.37	4.61	4.81	4.48	4.83	5.10	5.32	4.48	4.83	5.10	5.32
		LO PR	1.08	1.15	1.26	1.34	1.14	1.22	1.33	1.41	1.19	1.26	1.38	1.47	1.25	1.33	1.45	1.54	1.31	1.39	1.52	1.62	1.35	1.44	1.57	1.67	1.35	1.44	1.57	1.67
		MBh	28.8	29.4	31.4	33.6	28.1	28.7	30.7	32.8	27.5	28.1	30.0	32.1	26.8	27.4	29.3	31.3	25.5	26.0	27.8	29.7	23.6	24.1	25.7	27.5	23.6	24.1	25.7	27.5
		S/T	0.91	0.85	0.69	0.52	0.94	0.88	0.72	0.54	0.97	0.91	0.74	0.55	1.00	0.94	0.76	0.57	1.00	1.00	0.79	0.59	1.00	1.00	0.79	0.59	1.00	1.00	0.80	0.60
		Delta T	20	20	17	14	21	20	17	14	21	20	17	14	21	20	17	14	20	20	17	14	20	20	17	14	18	19	16	13
		KW	2.06	2.10	2.17	2.23	2.21	2.26	2.33	2.40	2.35	2.40	2.47	2.55	2.46	2.52	2.60	2.68	2.56	2.62	2.70	2.79	2.65	2.71	2.80	2.89	2.65	2.71	2.80	2.89
		AMPS	7.1	7.3	7.5	7.8	7.7	7.9	8.1	8.5	8.4	8.6	8.9	9.2	9.0	9.2	9.5	9.9	9.5	9.8	10.1	10.5	10.1	10.4	10.7	11.1	10.1	10.4	10.7	11.1
		HI PR	2.51	2.70	2.85	2.97	2.81	3.03	3.20	3.33	3.20	3.44	3.64	3.79	3.64	3.92	4.14	4.32	4.10	4.41	4.66	4.86	4.53	4.87	5.15	5.37	4.53	4.87	5.15	5.37
LO PR	1.09	1.16	1.27	1.35	1.16	1.23	1.34	1.43	1.20	1.28	1.39	1.48	1.26	1.34	1.46	1.56	1.32	1.41	1.53	1.63	1.37	1.45	1.59	1.69	1.37	1.45	1.59	1.69		
85	919	MBh	26.3	26.8	28.0	29.9	25.7	26.1	27.4	29.2	25.0	25.5	26.7	28.5	24.4	24.9	26.1	27.8	23.2	23.7	24.8	26.4	23.2	23.7	24.8	26.4	21.5	21.9	23.0	24.5
		S/T	0.88	0.85	0.76	0.62	0.91	0.88	0.79	0.64	0.93	0.90	0.81	0.66	0.96	0.93	0.84	0.68	1.00	0.96	0.87	0.71	1.00	0.96	0.87	0.71	1.00	0.97	0.88	0.71
		Delta T	23	23	21	19	23	23	22	19	23	23	22	19	24	23	22	19	23	23	22	19	23	23	22	19	22	21	20	17
		KW	2.02	2.06	2.12	2.18	2.16	2.21	2.27	2.34	2.29	2.34	2.41	2.49	2.41	2.46	2.53	2.62	2.50	2.56	2.64	2.72	2.50	2.56	2.64	2.72	2.59	2.64	2.73	2.82
		AMPS	6.9	7.1	7.3	7.6	7.5	7.7	7.9	8.2	8.1	8.3	8.6	8.9	8.7	8.9	9.2	9.6	9.3	9.5	9.8	10.2	9.8	10.1	10.4	10.8	9.8	10.1	10.4	10.8
		HI PR	2.43	2.62	2.76	2.88	2.73	2.94	3.10	3.23	3.10	3.34	3.53	3.68	3.53	3.80	4.02	4.19	3.98	4.28	4.52	4.71	4.39	4.73	4.99	5.21	4.39	4.73	4.99	5.21
		LO PR	1.06	1.13	1.23	1.31	1.12	1.19	1.30	1.39	1.16	1.24	1.35	1.44	1.22	1.30	1.42	1.51	1.28	1.36	1.49	1.59	1.33	1.41	1.54	1.64	1.33	1.41	1.54	1.64
		MBh	28.5	29.0	30.4	32.4	27.8	28.3	29.7	31.7	27.1	27.7	29.0	30.9	26.5	27.0	28.3	30.1	25.1	25.6	26.8	28.6	23.3	23.7	24.9	26.5	23.3	23.7	24.9	26.5
		S/T	0.91	0.88	0.79	0.64	0.94	0.91	0.82	0.67	0.97	0.93	0.84	0.68	1.00	0.96	0.87	0.71	1.00	1.00	0.90	0.73	1.00	1.00	0.90	0.73	1.00	1.00	0.91	0.74
		Delta T	23	22	21	18	23	23	21	18	23	23	21	18	23	23	22	19	22	22	21	18	22	22	21	18	20	21	20	17
85	1050	KW	2.06	2.10	2.17	2.23	2.21	2.26	2.33	2.40	2.35	2.40	2.47	2.55	2.46	2.52	2.60	2.68	2.56	2.62	2.70	2.79	2.65	2.71	2.80	2.89	2.65	2.71	2.80	2.89
		AMPS	7.1	7.3	7.5	7.8	7.7	7.9	8.1	8.5	8.4	8.6	8.9	9.2	9.0	9.2	9.5	9.9	9.5	9.8	10.1	10.5	10.1	10.4	10.7	11.1	10.1	10.4	10.7	11.1
		HI PR	2.51	2.70	2.85	2.97	2.81	3.03	3.20	3.33	3.20	3.44	3.64	3.79	3.64	3.92	4.14	4.32	4.10	4.41	4.66	4.86	4.53	4.87	5.15	5.37	4.53	4.87	5.15	5.37
		LO PR	1.09	1.16	1.27	1.35	1.16	1.23	1.34	1.43	1.20	1.28	1.39	1.48	1.26	1.34	1.46	1.56	1.32	1.41	1.53	1.63	1.37	1.45	1.59	1.69	1.37	1.45	1.59	1.69
		MBh	29.3	29.9	31.3	33.4	28.6	29.2	30.6	32.6	27.9	28.5	29.8	31.8	27.3	27.8	29.1	31.1	25.9	26.4	27.7	29.5	24.0	24.5	25.6	27.3	24.0	24.5	25.6	27.3
		S/T	0.95	0.92	0.83	0.67	0.99	0.95	0.86	0.70	1.00	0.98	0.88	0.72	1.00	1.00	0.91	0.74	1.00	1.00	0.95	0.77	1.00	1.00	0.95	0.77	1.00	1.00	0.95	0.77
		Delta T	22	21	20	18	22	22	20	18	22	22	21	18	21	22	21	18	20	21	20	18	20	21	20	18	19	19	19	16
		KW	2.08	2.12	2.18	2.25	2.23	2.28	2.35	2.42	2.37	2.42	2.49	2.57	2.48	2.54	2.62	2.70	2.59	2.64	2.73	2.81	2.67	2.73	2.82	2.91	2.67	2.73	2.82	2.91
		AMPS	7.2	7.3	7.6	7.9	7.8	8.0	8.2	8.5	8.4	8.7	8.9	9.3	9.0	9.3	9.6	9.9	9.6	9.9	10.2	10.6	10.2	10.5	10.8	11.2	10.2	10.5	10.8	11.2
		HI PR	2.53	2.72	2.88	3.00	2.84	3.06	3.23	3.37	3.23	3.48	3.67	3.83	3.68	3.96	4.18	4.36	4.14	4.46	4.71	4.91	4.57	4.92	5.20	5.42	4.57	4.92	5.20	5.42
LO PR	1.10	1.17	1.28	1.37	1.17	1.24	1.35	1.44	1.21	1.29	1.41	1.50	1.27	1.35	1.48	1.58	1.33	1.42	1.55	1.65	1.38	1.47	1.60	1.71	1.38	1.47	1.60	1.71		

* Entering Indoor Dry Bulb Temperature
High and low pressures are measured at the liquid and suction service valves.
NOTE: Shaded area is AHRI Rating Conditions
AMPS=outdoor unit amps (comp. #fan)
KW= Total system power

COOLING PERFORMANCE DATA

GSX130301DB

MODEL: GSX130301D* / CA*F3030*6D*

EXPANDED PERFORMANCE DATA

COOLING OPERATION

IDB*	Airflow	Outdoor Ambient Temperature																																							
		65								75								85								105								115							
		59	63	67	71	59	63	67	71	59	63	67	71	59	63	67	71	59	63	67	71	59	63	67	71	59	63	67	71												
70	945	MBh	26.2	27.2	29.8	-	25.6	26.6	29.1	-	25.0	25.9	28.4	-	24.4	25.3	27.7	-	23.2	24.0	26.3	-	21.5	22.3	24.4	-															
		S/T	0.71	0.59	0.41	-	0.74	0.62	0.43	-	0.76	0.63	0.44	-	0.78	0.65	0.45	-	0.81	0.68	0.47	-	0.82	0.68	0.47	-															
		Delta T	18	16	12	-	18	16	12	-	18	16	12	-	19	16	12	-	18	16	12	-	17	15	11	-															
		KW	2.01	2.05	2.11	-	2.15	2.20	2.26	-	2.28	2.33	2.40	-	2.39	2.44	2.51	-	2.48	2.54	2.62	-	2.57	2.62	2.70	-															
		AMPS	6.9	7.1	7.3	-	7.5	7.7	8.0	-	8.2	8.4	8.7	-	8.7	9.0	9.3	-	9.3	9.5	9.9	-	9.9	10.1	10.5	-															
		HI PR	2.44	2.62	2.77	-	2.74	2.94	3.11	-	3.11	3.35	3.54	-	3.64	3.81	4.03	-	3.99	4.29	4.53	-	4.40	4.74	5.01	-															
		LO PR	1.04	1.10	1.20	-	1.09	1.16	1.27	-	1.14	1.21	1.32	-	1.19	1.27	1.39	-	1.25	1.33	1.45	-	1.29	1.38	1.50	-															
		MBh	26.6	27.6	30.3	-	26.0	27.0	29.5	-	25.4	26.3	28.8	-	24.8	25.7	28.1	-	23.5	24.4	26.7	-	21.8	22.6	24.8	-															
		S/T	0.74	0.62	0.43	-	0.76	0.64	0.44	-	0.78	0.65	0.45	-	0.81	0.68	0.47	-	0.84	0.70	0.49	-	0.85	0.71	0.49	-															
		Delta T	17	15	11	-	17	15	11	-	17	15	11	-	18	15	12	-	17	15	11	-	16	14	11	-															
KW	2.04	2.08	2.14	-	2.18	2.23	2.29	-	2.31	2.36	2.43	-	2.42	2.47	2.55	-	2.52	2.57	2.65	-	2.60	2.66	2.74	-																	
AMPS	7.0	7.2	7.5	-	7.6	7.8	8.1	-	8.3	8.5	8.8	-	8.9	9.1	9.4	-	9.5	9.7	10.0	-	10.0	10.3	10.6	-																	
HI PR	2.48	2.67	2.82	-	2.78	2.99	3.16	-	3.17	3.41	3.60	-	3.60	3.88	4.10	-	4.06	4.36	4.61	-	4.48	4.82	5.09	-																	
LO PR	1.05	1.12	1.22	-	1.11	1.18	1.29	-	1.16	1.23	1.34	-	1.22	1.29	1.41	-	1.27	1.35	1.48	-	1.32	1.40	1.53	-																	
1455	945	MBh	27.0	28.0	30.7	-	26.4	27.4	30.0	-	25.8	26.7	29.3	-	25.2	26.1	28.6	-	23.9	24.8	27.1	-	22.1	22.9	25.1	-															
		S/T	0.77	0.64	0.45	-	0.80	0.67	0.46	-	0.82	0.68	0.47	-	0.85	0.71	0.49	-	0.88	0.73	0.51	-	0.88	0.74	0.51	-															
		Delta T	17	14	11	-	17	15	11	-	17	15	11	-	17	15	11	-	17	14	11	-	16	13	10	-															
		KW	2.05	2.09	2.15	-	2.19	2.24	2.30	-	2.32	2.37	2.44	-	2.44	2.49	2.56	-	2.53	2.59	2.67	-	2.62	2.67	2.76	-															
		AMPS	7.1	7.3	7.5	-	7.7	7.9	8.1	-	8.4	8.6	8.9	-	8.9	9.2	9.5	-	9.5	9.8	10.1	-	10.1	10.4	10.7	-															
		HI PR	2.50	2.69	2.84	-	2.80	3.02	3.18	-	3.19	3.43	3.62	-	3.63	3.91	4.13	-	4.08	4.39	4.64	-	4.51	4.86	5.13	-															
		LO PR	1.06	1.13	1.23	-	1.12	1.19	1.30	-	1.16	1.24	1.35	-	1.22	1.30	1.42	-	1.28	1.36	1.49	-	1.33	1.41	1.54	-															
		MBh	27.1	27.9	30.2	32.4	26.5	27.2	29.5	31.6	25.8	26.6	28.8	30.9	25.2	25.9	28.1	30.1	23.9	24.6	26.7	28.6	22.2	22.8	24.7	26.5															
		S/T	0.81	0.72	0.55	0.35	0.84	0.75	0.57	0.36	0.86	0.77	0.58	0.37	0.89	0.79	0.60	0.39	0.92	0.82	0.62	0.40	0.93	0.83	0.63	0.40															
		Delta T	21	19	16	11	21	20	16	11	21	20	16	11	21	20	16	11	21	19	16	11	20	18	15	10															
KW	2.03	2.07	2.13	2.19	2.17	2.21	2.28	2.35	2.30	2.34	2.42	2.49	2.41	2.46	2.53	2.61	2.50	2.56	2.64	2.72	2.59	2.64	2.72	2.81																	
AMPS	7.0	7.2	7.4	7.7	7.6	7.8	8.0	8.3	8.2	8.5	8.7	9.1	8.8	9.0	9.3	9.7	9.4	9.6	10.0	10.3	10.0	10.2	10.6	11.0																	
HI PR	2.46	2.65	2.80	2.92	2.76	2.97	3.14	3.28	3.14	3.38	3.57	3.73	3.68	3.85	4.07	4.24	4.03	4.33	4.58	4.77	4.45	4.79	5.06	5.27																	
LO PR	1.05	1.11	1.21	1.29	1.11	1.18	1.28	1.37	1.15	1.22	1.33	1.42	1.21	1.28	1.40	1.49	1.26	1.35	1.47	1.56	1.31	1.39	1.52	1.62																	
75	1050	MBh	27.1	27.9	30.2	32.4	26.5	27.2	29.5	31.6	25.8	26.6	28.8	30.9	25.2	25.9	28.1	30.1	23.9	24.6	26.7	28.6	22.2	22.8	24.7	26.5															
		S/T	0.84	0.75	0.57	0.37	0.87	0.78	0.59	0.38	0.89	0.80	0.60	0.39	0.92	0.82	0.62	0.40	0.95	0.85	0.65	0.42	0.96	0.86	0.65	0.42															
		Delta T	20	18	15	10	20	19	15	10	20	19	15	10	20	19	15	10	20	18	15	10	19	17	14	10															
		KW	2.05	2.09	2.15	2.22	2.20	2.24	2.31	2.38	2.33	2.38	2.45	2.52	2.44	2.49	2.57	2.65	2.54	2.59	2.67	2.76	2.62	2.68	2.76	2.85															
		AMPS	7.1	7.3	7.5	7.8	7.7	7.9	8.2	8.5	8.4	8.6	8.9	9.2	9.0	9.2	9.5	9.9	9.6	9.8	10.1	10.5	10.1	10.4	10.7	11.2															
		HI PR	2.51	2.70	2.85	2.97	2.81	3.03	3.19	3.33	3.20	3.44	3.63	3.79	3.64	3.92	4.14	4.32	4.10	4.41	4.66	4.86	4.63	4.87	5.14	5.36															
		LO PR	1.06	1.13	1.24	1.32	1.12	1.20	1.31	1.39	1.17	1.24	1.36	1.45	1.23	1.31	1.43	1.52	1.29	1.37	1.49	1.59	1.33	1.42	1.55	1.65															
		MBh	27.5	28.3	30.6	32.9	26.9	27.7	29.9	32.1	26.2	27.0	29.2	31.4	25.6	26.3	28.5	30.6	24.3	25.0	27.1	29.1	22.5	23.2	25.1	26.9															
		S/T	0.88	0.78	0.59	0.38	0.91	0.81	0.61	0.40	0.93	0.83	0.63	0.41	0.96	0.86	0.65	0.42	1.00	0.89	0.67	0.43	1.00	0.90	0.68	0.44															
		Delta T	19	18	14	10	19	18	15	10	19	18	15	10	20	18	15	10	19	18	15	10	18	17	14	9															
KW	2.06	2.10	2.16	2.23	2.21	2.25	2.32	2.39	2.34	2.39	2.46	2.54	2.45	2.51	2.58	2.67	2.55	2.61	2.69	2.77	2.64	2.69	2.78	2.87																	
AMPS	7.2	7.3	7.6	7.9	7.8	7.9	8.2	8.5	8.4	8.6	8.9	9.3	9.0	9.2	9.6	9.9	9.6	9.9	10.2	10.6	10.2	10.5	10.8	11.2																	
HI PR	2.52	2.72	2.87	2.99	2.83	3.05	3.22	3.36	3.22	3.46	3.66	3.82	3.67	3.95	4.17	4.35	4.13	4.44	4.69	4.89	4.65	4.91	5.18	5.40																	
LO PR	1.07	1.14	1.24	1.33	1.13	1.20	1.31	1.40	1.18	1.25	1.37	1.46	1.24	1.31	1.44	1.53	1.30	1.38	1.50	1.60	1.34	1.43	1.56	1.66																	

* Entering Indoor Dry Bulb Temperature
High and low pressures are measured at the liquid and suction service valves.
NOTE: Shaded area is ACCA (TVA) conditions
AMPS=outdoor unit amps (comp.+fan)
KW=Total system power

COOLING PERFORMANCE DATA

GSX130301DB

MODEL: GSX130301D* / CA *F3030*6D*

EXPANDED PERFORMANCE DATA

COOLING OPERATION

IDB*	Airflow	Outdoor Ambient Temperature																									
		65				75				85				95				105				115					
		59	63	67	71	59	63	67	71	59	63	67	71	59	63	67	71	59	63	67	71	59	63	67	71		
80	945	MBh	27.2	27.8	29.6	31.7	26.5	27.1	29.0	31.0	25.9	26.5	28.3	30.2	25.3	25.8	27.6	29.5	24.0	24.5	26.2	28.0	22.2	22.7	24.3	25.9	
		S/T	0.89	0.83	0.68	0.51	0.92	0.86	0.70	0.52	0.94	0.88	0.72	0.54	0.97	0.91	0.74	0.56	1.01	0.95	0.77	0.58	1.00	0.95	0.78	0.58	
		Delta T	23	22	20	16	24	23	20	16	24	23	20	16	24	23	20	16	24	23	20	16	22	21	18	15	
		KW	2.04	2.08	2.14	2.21	2.19	2.23	2.30	2.37	2.43	2.31	2.36	2.43	2.51	2.43	2.48	2.56	2.64	2.52	2.58	2.66	2.74	2.61	2.66	2.75	2.83
		AMPS	7.1	7.2	7.5	7.8	7.7	7.8	8.1	8.4	8.3	8.5	8.8	9.2	8.9	9.1	9.4	9.8	9.5	9.7	10.1	10.4	10.1	10.3	10.7	11.1	11.4
		HIPR	249	268	283	295	279	300	317	331	317	342	361	376	362	389	411	429	407	438	462	482	449	484	511	533	563
	1050	LO PR	106	112	123	131	112	119	130	138	116	123	135	144	122	130	142	151	128	136	148	158	132	141	153	163	
		MBh	27.6	28.2	30.1	32.2	26.9	27.5	29.4	31.4	26.3	26.9	28.7	30.7	25.6	26.2	28.0	29.9	24.4	24.9	26.6	28.4	22.6	23.1	24.6	26.3	
		S/T	0.92	0.86	0.70	0.52	0.95	0.89	0.73	0.54	0.98	0.92	0.75	0.56	1.00	0.95	0.77	0.58	1.00	0.98	0.80	0.60	1.00	0.99	0.81	0.60	
		Delta T	22	21	18	15	22	22	19	15	22	22	19	15	22	22	19	15	21	21	19	15	20	20	17	14	
		KW	2.07	2.11	2.17	2.23	2.21	2.26	2.33	2.40	2.35	2.39	2.47	2.54	2.46	2.51	2.59	2.67	2.56	2.61	2.69	2.78	2.64	2.70	2.78	2.87	
		AMPS	7.2	7.4	7.6	7.9	7.8	8.0	8.2	8.5	8.5	8.7	9.0	9.3	9.1	9.3	9.6	10.0	9.6	9.9	10.2	10.6	10.2	10.5	10.8	11.3	
1155	HIPR	253	272	288	300	284	306	323	337	323	348	367	383	368	396	418	436	414	445	470	490	457	492	520	542		
	LO PR	107	114	125	133	114	121	132	140	118	126	137	146	124	132	144	153	130	138	151	161	134	143	156	166		
	MBh	28.0	28.6	30.6	32.7	27.3	27.9	29.8	31.9	26.7	27.3	29.1	31.1	26.0	26.6	28.4	30.4	24.7	25.3	27.0	28.9	22.9	23.4	25.0	26.7		
	S/T	0.96	0.90	0.73	0.55	1.00	0.93	0.76	0.57	1.00	0.96	0.78	0.58	1.00	1.00	0.80	0.60	1.00	1.00	0.83	0.62	1.00	1.00	0.84	0.63		
	Delta T	21	21	18	14	22	21	18	14	21	21	18	14	21	21	18	14	20	20	18	14	18	19	17	13		
	KW	2.08	2.12	2.18	2.25	2.23	2.27	2.34	2.41	2.36	2.41	2.48	2.56	2.47	2.53	2.60	2.69	2.57	2.63	2.71	2.80	2.66	2.71	2.80	2.89		

85	945	MBh	27.6	28.2	29.5	31.5	27.0	27.5	28.8	30.7	26.3	26.9	28.1	30.0	25.7	26.2	27.4	29.3	24.4	24.9	26.1	27.8	22.6	23.1	24.1	25.8	
		S/T	0.93	0.90	0.81	0.66	0.96	0.93	0.84	0.68	0.99	0.95	0.86	0.70	1.00	0.98	0.89	0.72	1.00	1.00	0.92	0.75	1.00	1.00	0.93	0.75	
		Delta T	25	25	23	20	25	25	24	20	25	25	24	20	25	25	24	21	24	24	23	20	22	22	22	19	
		KW	2.06	2.10	2.16	2.22	2.20	2.25	2.31	2.39	2.33	2.38	2.45	2.53	2.45	2.50	2.58	2.66	2.54	2.60	2.68	2.76	2.63	2.68	2.77	2.86	
		AMPS	7.1	7.3	7.6	7.8	7.7	7.9	8.2	8.5	8.4	8.6	8.9	9.2	9.0	9.2	9.5	9.9	9.6	9.8	10.2	10.5	10.2	10.4	10.8	11.2	
		HIPR	251	270	286	298	282	303	320	334	321	345	364	380	365	393	415	433	411	442	467	487	454	489	516	538	
	1050	LO PR	107	114	124	132	113	120	131	139	117	125	136	145	123	131	143	152	129	137	150	160	133	142	155	165	
		MBh	28.1	28.6	29.9	32.0	27.4	27.9	29.3	31.2	26.7	27.3	28.6	30.5	26.1	26.6	27.9	29.7	24.8	25.3	26.5	28.2	23.0	23.4	24.5	26.2	
		S/T	0.96	0.93	0.84	0.68	1.00	0.96	0.87	0.71	1.00	0.99	0.89	0.72	1.00	1.00	0.92	0.75	1.00	1.00	0.96	0.78	1.00	1.00	0.96	0.78	
		Delta T	24	23	22	19	24	24	22	19	23	24	22	19	23	23	22	19	22	22	22	22	22	20	20	21	18
		KW	2.08	2.12	2.19	2.25	2.23	2.28	2.35	2.42	2.36	2.41	2.49	2.56	2.48	2.53	2.61	2.69	2.58	2.63	2.72	2.80	2.66	2.72	2.81	2.90	
		AMPS	7.2	7.4	7.7	8.0	7.8	8.0	8.3	8.6	8.5	8.7	9.0	9.4	9.1	9.4	9.7	10.1	9.7	10.0	10.3	10.7	10.3	10.6	10.9	11.4	
1155	HIPR	256	275	290	303	287	309	326	340	326	351	371	387	372	400	422	440	418	450	475	495	462	497	525	547		
	LO PR	109	116	126	134	115	122	133	142	119	127	138	147	125	133	145	155	131	140	152	162	136	144	158	168		
	MBh	28.5	29.0	30.4	32.4	27.8	28.4	29.7	31.7	27.1	27.7	29.0	30.9	26.5	27.0	28.3	30.2	25.2	25.7	26.9	28.7	23.3	23.8	24.9	26.5		
	S/T	1.00	0.97	0.88	0.71	1.00	1.00	0.91	0.74	1.00	1.00	0.93	0.76	1.00	1.00	0.96	0.78	1.00	1.00	1.00	0.81	1.00	1.00	1.00	0.82		
	Delta T	23	22	21	18	22	23	21	19	22	22	21	19	21	21	21	19	20	20	20	21	18	19	19	20	17	
	KW	2.09	2.13	2.20	2.26	2.24	2.29	2.36	2.43	2.38	2.43	2.50	2.58	2.49	2.55	2.62	2.71	2.59	2.65	2.73	2.82	2.68	2.74	2.82	2.91		

AMP S=outdoor unit amps (comp.#fan)
KW= Total system power

* Entering Indoor Dry Bulb Temperature
High and low pressures are measured at the liquid and suction service valves.

COOLING PERFORMANCE DATA

GSX130361D*

MODEL: GSX130361D* / CA *F3636*6D*

EXPANDED PERFORMANCE DATA

COOLING OPERATION

IDB*	Airflow	Outdoor Ambient Temperature																																																																																																																																																																																																																																																																																																																																																																																																																																																																																																																																																																																																																																																																																																																																																																																																																																																																																																																																																																																																																																																																																																																																																																																																																																																																																																																																																																																																																																																																																		
		65								75								85								95								105								115																																																																																																																																																																																																																																																																																																																																																																																																																																																																																																																																																																																																																																																																																																																																																																																																																																																																																																																																																																																																																																																																																																																																																																																																																																																																																																																																																																																																																																										
		59	63	67	71	75	79	83	87	59	63	67	71	75	79	83	87	59	63	67	71	75	79	83	87	59	63	67	71	75	79	83	87	59	63	67	71	75	79	83	87																																																																																																																																																																																																																																																																																																																																																																																																																																																																																																																																																																																																																																																																																																																																																																																																																																																																																																																																																																																																																																																																																																																																																																																																																																																																																																																																																																																																																																											
70	1050	MBh	29.5	30.6	33.5	-	28.8	29.9	32.7	-	28.1	29.2	31.9	-	27.4	28.4	31.2	-	26.1	27.0	29.6	-	24.2	25.0	27.4	-	Delta T	18	15	12	-	18	15	12	-	18	15	12	-	18	15	12	-	18	15	12	-	16	14	11	-	KW	2.36	2.41	2.48	-	2.53	2.58	2.65	-	2.67	2.73	2.81	-	2.80	2.86	2.94	-	2.91	2.97	3.06	-	3.00	3.07	3.16	-	AMPS	8.4	8.6	8.9	-	9.1	9.3	9.6	-	9.9	10.1	10.5	-	10.6	10.8	11.2	-	11.2	11.5	11.9	-	11.9	12.2	12.6	-	HI PR	2.15	2.32	2.45	-	2.42	2.60	2.74	-	2.75	2.96	3.12	-	3.13	3.37	3.56	-	3.52	3.79	4.00	-	3.89	4.18	4.42	-	LO PR	101	107	117	-	106	113	124	-	111	118	129	-	116	124	135	-	122	130	141	-	126	134	146	-	MBh	32.0	33.1	36.3	-	31.2	32.4	35.5	-	30.5	31.6	34.6	-	29.7	30.8	33.8	-	28.2	29.3	32.1	-	26.2	27.1	29.7	-	S/T	0.70	0.59	0.41	-	0.73	0.61	0.42	-	0.75	0.62	0.43	-	0.77	0.65	0.45	-	0.80	0.67	0.46	-	0.81	0.68	0.47	-	Delta T	17	15	11	-	17	15	11	-	17	15	11	-	18	15	12	-	17	15	11	-	16	14	11	-	KW	2.41	2.46	2.53	-	2.58	2.64	2.71	-	2.73	2.79	2.87	-	2.89	2.95	3.04	-	2.98	3.04	3.13	-	3.08	3.14	3.24	-	AMPS	8.7	8.9	9.2	-	9.4	9.6	9.9	-	10.2	10.4	10.8	-	10.9	11.1	11.5	-	11.5	11.8	12.2	-	12.2	12.5	12.9	-	HI PR	2.22	2.39	2.52	-	2.49	2.68	2.83	-	2.83	3.05	3.22	-	3.23	3.47	3.67	-	3.63	3.90	4.12	-	4.01	4.31	4.56	-	LO PR	104	111	121	-	110	117	127	-	114	121	132	-	120	127	139	-	126	134	146	-	130	138	151	-	MBh	32.9	34.1	37.4	-	32.2	33.3	36.5	-	31.4	32.5	35.7	-	30.6	31.7	34.8	-	29.1	30.2	33.0	-	27.0	27.9	30.6	-	S/T	0.74	0.62	0.43	-	0.77	0.64	0.44	-	0.78	0.66	0.45	-	0.81	0.68	0.47	-	0.84	0.70	0.49	-	0.85	0.71	0.49	-	Delta T	17	14	11	-	17	15	11	-	17	15	11	-	17	15	11	-	17	14	11	-	16	13	10	-	KW	2.43	2.48	2.55	-	2.60	2.66	2.73	-	2.76	2.81	2.90	-	2.89	2.95	3.04	-	3.00	3.06	3.16	-	3.10	3.17	3.26	-	AMPS	8.8	9.0	9.3	-	9.5	9.7	10.0	-	10.3	10.5	10.8	-	11.0	11.2	11.6	-	11.7	11.9	12.3	-	12.3	12.6	13.1	-	HI PR	2.24	2.41	2.55	-	2.51	2.71	2.86	-	2.86	3.08	3.25	-	3.26	3.51	3.70	-	3.66	3.94	4.16	-	4.05	4.36	4.60	-	LO PR	105	112	122	-	111	118	129	-	115	123	134	-	121	129	141	-	127	135	147	-	131	140	152	-	75	1050	MBh	30.0	30.9	33.4	35.9	29.3	30.2	32.7	35.1	28.6	29.5	31.9	34.2	27.9	28.7	31.1	33.4	26.5	27.3	29.6	31.7	24.6	25.3	27.4	29.4	Delta T	20	19	15	11	21	19	15	11	21	19	15	11	21	19	15	11	21	19	15	11	20	19	15	11	19	18	14	10	KW	2.38	2.43	2.50	2.57	2.55	2.60	2.67	2.75	2.69	2.75	2.83	2.92	2.82	2.88	2.97	3.06	2.93	2.99	3.09	3.18	3.03	3.09	3.19	3.29	AMPS	8.5	8.7	9.0	9.3	9.2	9.4	9.7	10.1	10.0	10.2	10.6	10.9	10.7	10.9	11.3	11.7	11.3	11.3	11.6	12.0	12.4	12.0	12.3	12.7	13.2	HI PR	2.17	2.34	2.47	2.58	2.44	2.63	2.77	2.89	2.77	2.99	3.15	3.29	3.16	3.40	3.59	3.75	3.56	3.83	4.04	4.21	3.93	4.23	4.46	4.66	LO PR	102	108	118	126	108	114	125	133	112	119	130	138	117	125	136	145	123	131	143	152	127	135	148	157	MBh	32.5	33.5	36.2	38.9	31.8	32.7	35.4	38.0	31.0	31.9	34.5	37.1	30.2	31.1	33.7	36.2	28.7	29.6	32.0	34.4	26.6	27.4	29.7	31.8	S/T	0.80	0.72	0.54	0.35	0.83	0.74	0.56	0.36	0.85	0.76	0.58	0.37	0.88	0.79	0.59	0.38	0.91	0.82	0.62	0.40	0.92	0.82	0.62	0.40	Delta T	20	18	15	10	20	19	15	11	20	19	15	11	20	19	15	11	20	18	15	10	19	17	14	10	KW	2.43	2.48	2.55	2.63	2.60	2.66	2.73	2.82	2.76	2.81	2.90	2.99	2.89	2.95	3.04	3.13	3.00	3.07	3.16	3.26	3.10	3.17	3.26	3.37	AMPS	8.8	9.0	9.3	9.6	9.5	9.7	10.0	10.4	10.3	10.5	10.9	11.3	11.0	11.2	11.6	12.0	11.7	11.9	12.3	12.8	12.3	12.6	13.1	13.6	HI PR	2.24	2.41	2.55	2.66	2.52	2.71	2.86	2.98	2.86	3.08	3.25	3.39	3.26	3.51	3.70	3.86	3.67	3.94	4.17	4.34	4.05	4.36	4.60	4.80	LO PR	105	112	122	130	111	118	129	137	115	123	134	143	121	129	141	150	127	135	147	157	131	140	152	162	MBh	33.5	34.5	37.3	40.0	32.7	33.7	36.4	39.1	31.9	32.9	35.6	38.2	31.1	32.1	34.7	37.3	29.6	30.5	33.0	35.4	27.4	28.2	30.5	32.8	S/T	0.84	0.75	0.57	0.37	0.87	0.78	0.59	0.38	0.89	0.80	0.60	0.39	0.92	0.82	0.62	0.40	0.96	0.85	0.65	0.42	0.96	0.86	0.65	0.42	Delta T	19	18	14	10	19	18	15	10	19	18	15	10	20	18	15	10	19	18	15	10	18	17	14	9	KW	2.45	2.50	2.57	2.65	2.62	2.68	2.76	2.84	2.78	2.83	2.92	3.01	2.91	2.97	3.06	3.16	3.03	3.09	3.19	3.29	3.13	3.19	3.29	3.40	AMPS	8.8	9.0	9.3	9.7	9.5	9.8	10.1	10.5	10.4	10.6	11.0	11.4	11.1	11.3	11.7	12.1	11.8	12.0	12.4	12.9	12.5	12.8	13.2	13.7	HI PR	2.26	2.44	2.57	2.68	2.54	2.73	2.89	3.01	2.89	3.11	3.28	3.42	3.29	3.54	3.74	3.90	3.70	3.98	4.21	4.39	4.09	4.40	4.65	4.85	LO PR	106	113	123	131	112	119	130	139	116	124	135	144	122	130	142	151	128	136	149	158	133	141	154	164	1200	1050	MBh	30.0	30.9	33.4	35.9	29.3	30.2	32.7	35.1	28.6	29.5	31.9	34.2	27.9	28.7	31.1	33.4	26.5	27.3	29.6	31.7	24.6	25.3	27.4	29.4	Delta T	20	19	15	11	21	19	15	11	21	19	15	11	21	19	15	11	21	19	15	11	20	19	15	11	19	18	14	10	KW	2.38	2.43	2.50	2.57	2.55	2.60	2.67	2.75	2.69	2.75	2.83	2.92	2.82	2.88	2.97	3.06	2.93	2.99	3.09	3.18	3.03	3.09	3.19	3.29	AMPS	8.5	8.7	9.0	9.3	9.2	9.4	9.7	10.1	10.0	10.2	10.6	10.9	10.7	10.9	11.3	11.7	11.3	11.6	12.0	12.4	12.0	12.3	12.7	13.2	HI PR	2.17	2.34	2.47	2.58	2.44	2.63	2.77	2.89	2.77	2.99	3.15	3.29	3.16	3.40	3.59	3.75	3.56	3.83	4.04	4.21	3.93	4.23	4.46	4.66	LO PR	102	108	118	126	108	114	125	133	112	119	130	138	117	125	136	145	123	131	143	152	127	135	148	157	MBh	32.5	33.5	36.2	38.9	31.8	32.7	35.4	38.0	31.0	31.9	34.5	37.1	30.2	31.1	33.7	36.2	28.7	29.6	32.0	34.4	26.6	27.4	29.7	31.8	S/T	0.80	0.72	0.54	0.35	0.83	0.74	0.56	0.36	0.85	0.76	0.58	0.37	0.88	0.79	0.59	0.38	0.91	0.82	0.62	0.40	0.92	0.82	0.62	0.40	Delta T	20	18	15	10	20	19	15	11	20	19	15	11	20	19	15	11	20	18	15	10	19	17	14	10	KW	2.43	2.48	2.55	2.63	2.60	2.66	2.73	2.82	2.76	2.81	2.90	2.99	2.89	2.95	3.04	3.13	3.00	3.07	3.16	3.26	3.10	3.17	3.26	3.37	AMPS	8.8	9.0	9.3	9.6	9.5	9.7	10.0	10.4	10.3	10.5	10.9	11.3	11.0	11.2	11.6	12.0	11.7	11.9	12.3	12.8	12.3	12.6	13.1	13.6	HI PR	2.24	2.41	2.55	2.66	2.52	2.71	2.86	2.98	2.86	3.08	3.25	3.39	3.26	3.51	3.70	3.86	3.67	3.94	4.17	4.34	4.05	4.36	4.60	4.80	LO PR	105	112	122	130	111	118	129	137	115	123	134	143	121	129	141	150	127	135	147	157	131	140	152	162	MBh	33.5	34.5	37.3	40.0	32.7	33.7	36.4	39.1	31.9	32.9	35.6	38.2	31.1	32.1	34.7	37.3	29.6	30.5	33.0	35.4	27.4	28.2	30.5	32.8	S/T	0.84	0.75	0.57	0.37	0.87	0.78	0.59	0.38	0.89	0.80	0.60	0.39	0.92	0.82	0.62	0.40	0.96	0.85	0.65	0.42	0.96	0.86	0.65	0.42	Delta T	19	18	14	10	19	18	15	10	19	18	15	10	20	18	15	10	19	18	15	10	18	17	14	9	KW	2.45	2.50	2.57	2.65	2.62	2.68	2.76	2.84	2.78	2.83	2.92	3.01	2.91
		75	1050	MBh	30.0	30.9	33.4	35.9	29.3	30.2	32.7	35.1	28.6	29.5	31.9	34.2	27.9	28.7	31.1	33.4	26.5	27.3	29.6	31.7	24.6	25.3	27.4	29.4	Delta T	20	19	15	11	21	19	15	11	21	19	15	11	21	19	15	11	21	19	15	11	20	19	15	11	19	18	14	10	KW	2.38	2.43	2.50	2.57	2.55	2.60	2.67	2.75	2.69	2.75	2.83	2.92	2.82	2.88	2.97	3.06	2.93	2.99	3.09	3.18	3.03	3.09	3.19	3.29	AMPS	8.5	8.7	9.0	9.3	9.2	9.4	9.7	10.1	10.0	10.2	10.6	10.9	10.7	10.9	11.3	11.7	11.3	11.3	11.6	12.0	12.4	12.0	12.3	12.7	13.2	HI PR	2.17	2.34	2.47	2.58	2.44	2.63	2.77	2.89	2.77	2.99	3.15	3.29	3.16	3.40	3.59	3.75	3.56	3.83	4.04	4.21	3.93	4.23	4.46	4.66	LO PR	102	108	118	126	108	114	125	133	112	119	130	138	117	125	136	145	123	131	143	152	127	135	148	157	MBh	32.5	33.5	36.2	38.9	31.8	32.7	35.4	38.0	31.0	31.9	34.5	37.1	30.2	31.1	33.7	36.2	28.7	29.6	32.0	34.4	26.6	27.4	29.7	31.8	S/T	0.80	0.72	0.54	0.35	0.83	0.74	0.56	0.36	0.85	0.76	0.58	0.37	0.88	0.79	0.59	0.38	0.91	0.82	0.62	0.40	0.92	0.82	0.62	0.40	Delta T	20	18	15	10	20	19	15	11	20	19	15	11	20	19	15	11	20	18	15	10	19	17	14	10	KW	2.43	2.48	2.55	2.63	2.60	2.66	2.73	2.82	2.76	2.81	2.90	2.99	2.89	2.95	3.04	3.13	3.00	3.07	3.16	3.26	3.10	3.17	3.26	3.37	AMPS	8.8	9.0	9.3	9.6	9.5	9.7	10.0	10.4	10.3	10.5	10.9	11.3	11.0	11.2	11.6	12.0	11.7	11.9	12.3	12.8	12.3	12.6	13.1	13.6	HI PR	2.24	2.41	2.55	2.66	2.52	2.71	2.86	2.98	2.86	3.08	3.25	3.39	3.26	3.51	3.70	3.86	3.67	3.94	4.17	4.34	4.05	4.36	4.60	4.80	LO PR	105	112	122	130	111	118	129	137	115	123	134	143	121	129	141	150	127	135	147	157	131	140	152	162	MBh	33.5	34.5	37.3	40.0	32.7	33.7	36.4	39.1	31.9	32.9	35.6	38.2	31.1	32.1	34.7	37.3	29.6	30.5	33.0	35.4	27.4	28.2	30.5	32.8	S/T	0.84	0.75	0.57	0.37	0.87	0.78	0.59	0.38	0.89	0.80	0.60	0.39	0.92	0.82	0.62	0.40	0.96	0.85	0.65	0.42	0.96	0.86	0.65	0.42	Delta T	19	18	14	10	19	18	15	10	19	18	15	10	20	18	15	10	19	18	15	10	18	17	14	9	KW	2.45	2.50	2.57	2.65	2.62	2.68	2.76	2.84	2.78	2.83	2.92	3.01	2.91	2.97	3.06	3.16	3.03	3.09	3.19	3.29	3.13	3.19	3.29	3.40	AMPS	8.8	9.0	9.3	9.7	9.5	9.8	10.1	10.5	10.4	10.6	11.0	11.4	11.1	11.3	11.7	12.1	11.8	12.0	12.4	12.9	12.5	12.8	13.2	13.7	HI PR	2.26	2.44	2.57	2.68	2.54	2.73	2.89	3.01	2.89	3.11	3.28	3.42	3.29	3.54	3.74	3.90	3.70	3.98	4.21	4.39	4.09	4.40	4.65	4.85	LO PR	106	113	123	131	112	119	130	139	116	124	135	144	122	130	142	151	128			136	149	158	133	141	154	164	1200	1050	MBh	30.0	30.9	33.4	35.9	29.3	30.2	32.7	35.1	28.6	29.5	31.9	34.2	27.9	28.7	31.1	33.4	26.5	27.3	29.6	31.7	24.6	25.3	27.4	29.4	Delta T	20	19	15	11	21	19	15	11	21	19	15	11	21	19	15	11	21	19	15	11	20	19	15	11	19	18	14	10	KW	2.38	2.43	2.50	2.57	2.55	2.60	2.67	2.75	2.69	2.75	2.83	2.92	2.82	2.88	2.97	3.06	2.93	2.99	3.09	3.18	3.03	3.09	3.19	3.29	AMPS	8.5	8.7	9.0	9.3	9.2	9.4	9.7	10.1	10.0	10.2	10.6	10.9	10.7	10.9	11.3	11.7	11.3	11.6	12.0	12.4	12.0	12.3	12.7	13.2	HI PR	2.17	2.34	2.47	2.58	2.44	2.63	2.77	2.89	2.77	2.99	3.15	3.29	3.16	3.40	3.59	3.75	3.56	3.83	4.04	4.21	3.93	4.23	4.46	4.66	LO PR	102	108	118	126	108	114	125	133	112	119	130	138	117	125	136	145	123	131	143	152	127	135	148	157	MBh	32.5	33.5	36.2	38.9	31.8	32.7	35.4	38.0	31.0	31.9	34.5	37.1	30.2	31.1	33.7	36.2	28.7	29.6	32.0	34.4	26.6	27.4	29.7	31.8	S/T	0.80	0.72	0.54	0.35	0.83	0.74	0.56	0.36	0.85	0.76	0.58	0.37	0.88	0.79	0.59	0.38	0.91	0.82	0.62	0.40	0.92	0.82	0.62	0.40	Delta T	20	18	15	10	20	19	15	11	20	19	15	11	20	19	15	11	20	18	15	10	19	17	14	10	KW	2.43	2.48	2.55	2.63	2.60	2.66	2.73	2.82	2.76	2.81	2.90	2.99	2.89	2.95	3.04	3.13	3.00	3.07	3.16	3.26	3.10	3.17	3.26	3.37	AMPS	8.8	9.0	9.3	9.6	9.5	9.7	10.0	10.4	10.3	10.5	10.9	11.3	11.0	11.2	11.6	12.0	11.7	11.9	12.3	12.8	12.3	12.6	13.1	13.6	HI PR	2.24	2.41	2.55	2.66	2.52	2.71	2.86	2.98	2.86	3.08	3.25	3.39	3.26	3.51	3.70	3.86	3.67	3.94	4.17	4.34	4.05	4.36	4.60	4.80	LO PR	105	112	122	130	111	118	129	137	115	123	134	143	121	129	141	150	127	135	147	157	131	140	152	162	MBh	33.5	34.5	37.3	40.0	32.7	33.7	36.4	39.1	31.9	32.9	35.6	38.2	31.1	32.1	34.7	37.3	29.6	30.5	33.0	35.4	27.4	28.2	30.5	32.8	S/T	0.84	0.75	0.57	0.37	0.87	0.78	0.59	0.38	0.89	0.80	0.60	0.39	0.92	0.82	0.62	0.40	0.96	0.85	0.65	0.42	0.96	0.86	0.65	0.42	Delta T	19	18	14	10	19	18	15	10	19	18	15	10	20	18	15	10	19	18	15	10	18	17	14	9	KW	2.45	2.50	2.57	2.65	2.62	2.68	2.76	2.84	2.78	2.83	2.92	3.01	2.91																																																																																																																																																																																																																																																																																																																																																																																																																																																																																																																		
				1200	1050	MBh	30.0	30.9	33.4	35.9	29.3	30.2	32.7	35.1	28.6	29.5	31.9	34.2	27.9	28.7	31.1	33.4	26.5	27.3	29.6	31.7	24.6	25.3	27.4	29.4	Delta T	20	19	15	11	21	19	15	11	21	19	15	11	21	19	15	11	21	19	15	11	20	19	15	11	19	18	14	10	KW	2.38	2.43	2.50	2.57	2.55	2.60	2.67	2.75	2.69	2.75	2.83	2.92	2.82	2.88	2.97	3.06	2.93	2.99	3.09	3.18	3.03	3.09	3.19	3.29	AMPS	8.5	8.7	9.0	9.3	9.2	9.4	9.7	10.1	10.0	10.2	10.6	10.9	10.7	10.9	11.3	11.7	11.3	11.6	12.0	12.4	12.0	12.3	12.7	13.2	HI PR	2.17	2.34	2.47	2.58	2.44	2.63	2.77	2.89	2.77	2.99	3.15	3.29	3.16	3.40	3.59	3.75	3.56	3.83	4.04	4.21	3.93	4.23	4.46	4.66	LO PR	102	108	118	126	108	114	125	133	112	119	130	138	117	125	136	145	123	131	143	152	127	135	148	157	MBh	32.5	33.5	36.2	38.9	31.8	32.7	35.4	38.0	31.0	31.9	34.5	37.1	30.2	31.1	33.7	36.2	28.7	29.6	32.0	34.4	26.6	27.4	29.7	31.8	S/T	0.80	0.72	0.54	0.35	0.83	0.74	0.56	0.36	0.85	0.76	0.58	0.37	0.88	0.79	0.59	0.38	0.91	0.82	0.62	0.40	0.92	0.82	0.62	0.40	Delta T	20	18	15	10	20	19	15	11	20	19	15	11	20	19	15	11	20	18	15	10	19	17	14	10	KW	2.43	2.48	2.55	2.63	2.60	2.66	2.73	2.82	2.76	2.81	2.90	2.99	2.89	2.95	3.04	3.13	3.00	3.07	3.16	3.26	3.10	3.17	3.26	3.37	AMPS	8.8	9.0	9.3	9.6	9.5	9.7	10.0	10.4	10.3	10.5	10.9	11.3	11.0	11.2	11.6	12.0	11.7	11.9	12.3	12.8	12.3	12.6	13.1	13.6	HI PR	2.24	2.41	2.55	2.66	2.52	2.71	2.86	2.98	2.86	3.08	3.25	3.39	3.26	3.51	3.70	3.86	3.67	3.94	4.17	4.34	4.05	4.36	4.60	4.80	LO PR	105	112	122	130	111	118	129	137	115	123	134	143	121	129	141	150	127	135	147	157	131	140	152	162	MBh	33.5	34.5	37.3	40.0	32.7	33.7	36.4	39.1	31.9	32.9	35.6	38.2	31.1	32.1	34.7	37.3	29.6	30.5	33.0	35.4	27.4	28.2	30.5	32.8	S/T	0.84	0.75	0.57	0.37	0.87	0.78	0.59	0.38	0.89	0.80	0.60	0.39	0.92	0.82	0.62	0.40	0.96	0.85	0.65	0.42	0.96	0.86	0.65	0.42	Delta T	19	18	14	10	19	18	15	10	19	18	15	10	20	18	15	10	19	18	15	10	18	17	14	9	KW	2.45	2.50	2.57	2.65	2.62	2.68	2.76	2.84	2.78	2.83	2.92	3.01	2.91																																																																																																																																																																																																																																																																																																																																																																																																																																																																																																																																																																																																																																																																																																																																																																																																																																																																																																																																																																																																																																													

COOLING PERFORMANCE DATA

GSX130361D*

MODEL: GSX130361D* / CA*F3636*6D*

EXPANDED PERFORMANCE DATA

COOLING OPERATION

IDB*	Airflow	Outdoor Ambient Temperature																								
		65				75				85				95				105				115				
		59	63	67	71	59	63	67	71	59	63	67	71	59	63	67	71	59	63	67	71	59	63	67	71	
80	1050	MBh	30.5	31.2	33.3	35.6	29.8	30.5	32.6	34.8	29.1	29.8	31.8	34.0	28.4	29.0	31.0	33.2	27.0	27.6	29.5	31.5	25.0	25.5	27.3	29.2
		S/T	0.85	0.79	0.65	0.48	0.88	0.82	0.67	0.50	0.90	0.84	0.69	0.51	0.93	0.87	0.71	0.53	0.96	0.90	0.74	0.55	0.97	0.91	0.74	0.55
		Delta T	23	22	19	15	23	22	19	15	23	22	19	15	23	22	19	15	23	22	19	15	21	20	18	14
		KW	2.40	2.44	2.51	2.59	2.56	2.62	2.69	2.77	2.71	2.77	2.85	2.94	2.84	2.90	2.99	3.08	2.96	3.02	3.11	3.21	3.05	3.12	3.21	3.31
		AMPS	8.6	8.8	9.1	9.4	9.3	9.5	9.8	10.2	10.1	10.3	10.7	11.0	10.8	11.0	11.4	11.8	11.4	11.7	12.1	12.6	12.1	12.4	12.8	13.3
		HIPR	220	236	250	260	246	265	280	292	280	302	319	332	319	344	363	378	359	386	408	426	397	427	451	470
		LO PR	103	109	119	127	109	116	126	134	113	120	131	140	119	126	138	147	124	132	144	154	129	137	149	159
		MBh	33.1	33.8	36.1	38.6	32.3	33.0	35.3	37.7	31.5	32.2	34.4	36.8	30.8	31.4	33.6	35.9	29.2	29.9	31.9	34.1	27.1	27.7	29.6	31.6
		S/T	0.88	0.82	0.67	0.50	0.91	0.85	0.69	0.52	0.93	0.87	0.71	0.53	0.96	0.90	0.74	0.55	1.00	0.94	0.76	0.57	1.00	0.95	0.77	0.57
		Delta T	22	21	19	15	23	22	19	15	23	22	19	15	23	22	19	15	22	21	19	15	21	20	17	14
KW	2.45	2.50	2.57	2.65	2.62	2.68	2.76	2.84	2.78	2.83	2.92	3.01	2.91	2.97	3.06	3.16	3.03	3.09	3.19	3.29	3.13	3.19	3.29	3.40		
AMPS	8.8	9.0	9.3	9.7	9.5	9.8	10.1	10.5	10.4	10.6	11.0	11.4	11.1	11.3	11.7	12.1	11.8	12.0	12.4	12.9	12.5	12.8	13.2	13.7		
HIPR	226	244	257	268	254	273	289	301	289	311	328	342	329	354	374	390	370	398	421	439	409	440	465	485		
LO PR	106	113	123	131	112	119	130	139	116	124	135	144	122	130	142	151	128	136	149	158	133	141	154	164		
MBh	34.1	34.8	37.2	39.8	33.3	34.0	36.3	38.8	32.5	33.2	35.5	37.9	31.7	32.4	34.6	37.0	30.1	30.8	32.9	35.1	27.9	28.5	30.5	32.6		
S/T	0.92	0.86	0.70	0.53	0.95	0.89	0.73	0.54	1.00	0.92	0.75	0.56	1.00	0.95	0.77	0.58	1.00	1.00	0.80	0.60	1.00	1.00	0.81	0.60		
Delta T	21	20	18	14	22	21	18	14	22	21	18	14	22	21	18	14	21	21	18	14	19	19	17	13		
KW	2.47	2.52	2.59	2.67	2.64	2.70	2.78	2.86	2.80	2.85	2.94	3.03	2.93	2.99	3.09	3.18	3.05	3.11	3.21	3.31	3.15	3.22	3.32	3.42		
AMPS	8.9	9.1	9.4	9.8	9.6	9.9	10.2	10.6	10.4	10.7	11.1	11.5	11.2	11.4	11.8	12.3	11.9	12.2	12.6	13.0	12.6	12.9	13.3	13.8		
HIPR	229	246	260	271	257	276	292	304	292	314	332	346	332	358	378	394	374	402	425	443	413	445	470	490		
LO PR	107	114	124	132	113	120	131	140	118	125	137	145	123	131	143	153	129	138	150	160	134	142	155	166		
85	1050	MBh	31.1	31.7	33.2	35.4	30.3	30.9	32.4	34.6	29.6	30.2	31.6	33.7	28.9	29.5	30.9	32.9	27.5	28.0	29.3	31.3	25.4	25.9	27.2	29.0
		S/T	0.89	0.86	0.77	0.63	0.92	0.89	0.80	0.65	0.94	0.91	0.82	0.67	0.97	0.94	0.85	0.69	1.00	0.97	0.88	0.71	1.00	0.98	0.89	0.72
		Delta T	24	24	22	19	24	24	23	20	24	24	23	20	25	24	23	20	24	24	23	20	22	22	21	18
		KW	2.41	2.46	2.53	2.61	2.58	2.64	2.71	2.80	2.73	2.79	2.87	2.96	2.87	2.92	3.01	3.11	2.98	3.04	3.13	3.23	3.08	3.14	3.24	3.34
		AMPS	8.7	8.9	9.2	9.5	9.4	9.6	9.9	10.3	10.2	10.4	10.7	11.1	10.9	11.1	11.5	11.9	11.5	11.8	12.2	12.7	12.2	12.5	12.9	13.4
		HIPR	222	239	252	263	249	268	283	295	283	305	322	336	322	347	366	382	363	390	412	430	401	431	455	475
		LO PR	104	110	121	128	110	117	127	136	114	121	132	141	120	127	139	148	126	134	146	155	130	138	151	161
		MBh	33.7	34.3	35.9	38.3	32.9	33.5	35.1	37.5	32.1	32.7	34.3	36.6	31.3	31.9	33.4	35.7	29.7	30.3	31.8	33.9	27.6	28.1	29.4	31.4
		S/T	0.92	0.89	0.80	0.65	0.95	0.92	0.83	0.67	0.98	0.94	0.85	0.69	1.00	0.97	0.88	0.71	1.00	1.00	0.91	0.74	1.00	1.00	0.92	0.75
		Delta T	24	23	22	19	24	24	22	19	24	24	22	19	24	24	23	19	24	23	22	19	21	22	21	18
KW	2.47	2.52	2.59	2.67	2.64	2.70	2.78	2.86	2.80	2.85	2.94	3.03	2.93	2.99	3.09	3.18	3.05	3.11	3.21	3.31	3.15	3.22	3.32	3.42		
AMPS	8.9	9.1	9.4	9.8	9.6	9.9	10.2	10.6	10.4	10.7	11.1	11.5	11.2	11.4	11.8	12.3	11.9	12.2	12.6	13.0	12.6	12.9	13.3	13.8		
HIPR	229	246	260	271	257	276	292	304	292	314	332	346	332	358	378	394	374	402	425	443	413	445	470	490		
LO PR	107	114	124	132	113	120	131	140	118	125	137	145	123	131	143	153	129	138	150	160	134	142	155	166		
MBh	34.7	35.3	37.0	39.5	33.9	34.5	36.2	38.6	33.1	33.7	35.3	37.7	32.3	32.9	34.4	36.7	30.6	31.2	32.7	34.9	28.4	28.9	30.3	32.3		
S/T	0.96	0.93	0.84	0.68	1.00	0.96	0.87	0.71	1.00	0.99	0.89	0.72	1.00	1.00	0.92	0.75	1.00	1.00	0.96	0.78	1.00	1.00	0.96	0.78		
Delta T	23	22	21	18	23	23	21	19	23	23	21	19	22	22	22	19	21	21	21	18	19	20	20	17		
KW	2.49	2.54	2.61	2.69	2.66	2.72	2.80	2.88	2.82	2.88	2.96	3.06	2.96	3.02	3.11	3.21	3.07	3.14	3.24	3.34	3.17	3.24	3.34	3.45		
AMPS	9.0	9.2	9.5	9.9	9.7	9.9	10.3	10.6	10.5	10.8	11.2	11.6	11.3	11.5	11.9	12.4	12.0	12.3	12.7	13.2	12.7	13.0	13.4	13.9		
HIPR	231	249	262	274	259	279	295	307	295	317	335	349	336	361	382	398	378	406	429	448	417	449	474	495		
LO PR	108	115	126	134	114	122	133	141	119	126	138	147	125	133	145	154	131	139	152	162	135	144	157	167		

AMPS=Outdoor unit amps (comp.+fan)
KW=Total system power

NOTE: Shaded area is AHRI Rating Conditions
High and low pressures are measured at the liquid and suction service valves.

* Entering Indoor Dry Bulb Temperature
High and low pressures are measured at the liquid and suction service valves.

MODEL: GSX130181E* + CAPF1824B6DB EXPANDED PERFORMANCE DATA

COOLING OPERATION

COOLING PERFORMANCE DATA

GSX130181E*

		Outdoor Ambient Temperature																								
		65				75				85				95				105				115				
IDB*	Airflow	59	63	67	71	59	63	67	71	59	63	67	71	59	63	67	71	59	63	67	71	59	63	67	71	
70	525	MBh	15.6	16.2	17.7	-	15.3	15.8	17.3	-	14.9	15.4	16.9	-	14.5	15.1	16.5	-	13.8	14.3	15.7	-	12.8	13.3	14.5	-
		S/T	0.70	0.59	0.41	-	0.73	0.61	0.42	-	0.75	0.62	0.43	-	0.77	0.64	0.45	-	0.80	0.67	0.46	-	0.81	0.67	0.47	-
		Delta T	19	17	13	-	19	17	13	-	20	17	13	-	20	17	13	-	19	17	13	-	18	16	12	-
		KW	1.02	1.04	1.08	-	1.11	1.13	1.17	-	1.18	1.21	1.25	-	1.25	1.28	1.32	-	1.30	1.33	1.38	-	1.35	1.38	1.43	-
		AMPS	4.3	4.4	4.5	-	4.6	4.7	4.9	-	5.0	5.1	5.3	-	5.4	5.5	5.7	-	5.7	5.8	6.0	-	6.0	6.2	6.4	-
	600	HIPR	203	219	231	-	228	245	259	-	259	279	294	-	295	318	335	-	332	357	377	-	367	395	417	-
		LO PR	102	109	119	-	108	115	126	-	113	120	131	-	118	126	137	-	124	132	144	-	128	136	149	-
		MBh	16.4	17.0	18.7	-	16.0	16.6	18.2	-	15.7	16.2	17.8	-	15.3	15.8	17.4	-	14.5	15.0	16.5	-	13.4	13.9	15.3	-
		S/T	0.71	0.60	0.41	-	0.74	0.62	0.43	-	0.76	0.63	0.44	-	0.78	0.65	0.45	-	0.81	0.68	0.47	-	0.82	0.69	0.47	-
		Delta T	18	16	12	-	18	16	12	-	18	16	12	-	18	16	12	-	18	16	12	-	17	15	11	-
650	KW	1.03	1.06	1.09	-	1.12	1.14	1.18	-	1.19	1.22	1.27	-	1.26	1.29	1.34	-	1.32	1.35	1.40	-	1.37	1.40	1.45	-	
	AMPS	4.3	4.4	4.6	-	4.7	4.8	4.9	-	5.1	5.2	5.4	-	5.4	5.6	5.7	-	5.8	5.9	6.1	-	6.1	6.3	6.5	-	
	HIPR	206	221	234	-	231	248	262	-	263	283	298	-	299	322	340	-	336	362	382	-	372	400	422	-	
	LO PR	104	110	121	-	110	117	127	-	114	121	132	-	120	127	139	-	126	134	146	-	130	138	151	-	
	MBh	16.9	17.6	19.2	-	16.5	17.1	18.8	-	16.1	16.7	18.3	-	15.8	16.3	17.9	-	15.0	15.5	17.0	-	13.9	14.4	15.7	-	
75	525	S/T	0.73	0.61	0.42	-	0.76	0.63	0.44	-	0.78	0.65	0.45	-	0.80	0.67	0.46	-	0.83	0.69	0.48	-	0.84	0.70	0.48	-
		Delta T	17	15	11	-	18	15	12	-	18	15	12	-	18	15	12	-	18	15	12	-	16	14	11	-
		KW	1.05	1.07	1.11	-	1.14	1.16	1.20	-	1.21	1.24	1.29	-	1.28	1.31	1.36	-	1.34	1.37	1.42	-	1.39	1.42	1.47	-
		AMPS	4.4	4.5	4.6	-	4.7	4.9	5.0	-	5.2	5.3	5.5	-	5.5	5.6	5.8	-	5.9	6.0	6.2	-	6.2	6.4	6.6	-
		HIPR	209	225	238	-	235	253	267	-	267	287	304	-	304	327	346	-	342	368	389	-	378	407	430	-
	600	LO PR	106	112	123	-	112	119	130	-	116	123	135	-	122	130	142	-	128	136	148	-	132	141	153	-
		MBh	15.9	16.4	17.7	19.0	15.5	16.0	17.3	18.6	15.2	15.6	16.9	18.1	14.8	15.2	16.5	17.7	14.0	14.5	15.7	16.8	13.0	13.4	14.5	15.6
		S/T	0.80	0.72	0.54	0.35	0.83	0.74	0.56	0.36	0.85	0.76	0.58	0.37	0.88	0.78	0.59	0.38	0.91	0.81	0.62	0.40	0.92	0.82	0.62	0.40
		Delta T	22	20	17	12	23	21	17	12	23	21	17	12	23	21	17	12	22	21	17	12	21	19	16	11
		KW	1.03	1.05	1.09	1.13	1.12	1.14	1.18	1.22	1.19	1.22	1.26	1.31	1.26	1.29	1.33	1.38	1.32	1.35	1.39	1.44	1.36	1.40	1.45	1.50
650	AMPS	4.3	4.4	4.6	4.7	4.7	4.8	4.9	5.1	5.1	5.2	5.4	5.6	5.4	5.5	5.7	5.9	5.8	5.9	6.1	6.3	6.1	6.3	6.5	6.7	
	HIPR	205	221	233	243	230	248	262	273	262	282	297	310	298	321	339	353	335	361	381	398	371	399	421	439	
	LO PR	104	110	120	128	109	116	127	135	114	121	132	141	119	127	139	148	125	133	145	155	129	138	150	160	
	MBh	16.7	17.2	18.6	20.0	16.3	16.8	18.2	19.5	15.9	16.4	17.8	19.1	15.5	16.0	17.3	18.6	14.8	15.2	16.5	17.7	13.7	14.1	15.2	16.4	
	S/T	0.81	0.73	0.55	0.35	0.84	0.75	0.57	0.37	0.86	0.77	0.58	0.38	0.89	0.80	0.60	0.39	0.92	0.83	0.63	0.40	0.93	0.83	0.63	0.41	
75	600	Delta T	21	19	16	11	21	19	16	11	21	19	16	11	21	20	16	11	21	19	16	11	20	18	15	10
		KW	1.04	1.07	1.10	1.14	1.13	1.16	1.20	1.24	1.21	1.23	1.28	1.32	1.27	1.30	1.35	1.40	1.33	1.36	1.41	1.46	1.38	1.41	1.46	1.52
		AMPS	4.4	4.5	4.6	4.8	4.7	4.8	5.0	5.2	5.1	5.2	5.4	5.6	5.5	5.6	5.8	6.0	5.8	6.0	6.2	6.4	6.2	6.3	6.5	6.8
		HIPR	208	224	236	246	233	251	265	276	265	285	301	314	302	325	343	358	340	366	386	403	376	404	427	445
		LO PR	105	112	122	130	111	118	129	137	115	123	134	142	121	129	141	150	127	135	147	157	131	140	152	162
	650	MBh	17.2	17.7	19.2	20.6	16.8	17.3	18.7	20.1	16.4	16.9	18.3	19.6	16.0	16.5	17.9	19.2	15.2	15.7	17.0	18.2	14.1	14.5	15.7	16.9
		S/T	0.83	0.74	0.56	0.36	0.86	0.77	0.58	0.37	0.88	0.79	0.60	0.38	0.91	0.81	0.62	0.40	0.94	0.84	0.64	0.41	0.95	0.85	0.64	0.41
		Delta T	20	19	15	11	20	19	15	11	20	19	15	11	21	19	16	11	20	19	15	11	19	17	14	10
		KW	1.06	1.08	1.12	1.16	1.15	1.17	1.21	1.26	1.22	1.25	1.30	1.34	1.29	1.32	1.37	1.42	1.35	1.38	1.43	1.48	1.40	1.44	1.49	1.54
		AMPS	4.4	4.5	4.7	4.9	4.8	4.9	5.1	5.3	5.2	5.3	5.5	5.7	5.6	5.7	5.9	6.1	5.9	6.1	6.3	6.5	6.3	6.4	6.6	6.9
650	HIPR	211	228	240	251	237	255	270	281	270	290	307	320	307	331	349	364	346	372	393	410	382	411	434	453	
	LO PR	107	114	124	132	113	120	131	139	117	125	136	145	123	131	143	152	129	137	150	160	133	142	155	165	

* Entering Indoor Dry Bulb Temperature
 High and low pressures are measured at the liquid and suction service valves.
 NOTE: Shaded area is ACCA (TVA) conditions
 AMPS=Outdoor unit amps (comp.+fan)
 KW=Total system power

COOLING PERFORMANCE DATA

GSX130181E*

MODEL: GSX130181E* + CAPF1824B6DB EXPANDED PERFORMANCE DATA

COOLING OPERATION

IDB*	Airflow	Outdoor Ambient Temperature																								
		65				75				85				95				105				115				
		59	63	67	71	59	63	67	71	59	63	67	71	59	63	67	71	59	63	67	71	59	63	67	71	
80	525	MBh	16.2	16.5	17.7	18.9	15.8	16.1	17.3	18.4	15.4	15.8	16.8	18.0	15.0	15.4	16.4	17.6	14.3	14.6	15.6	16.7	13.2	13.5	14.5	15.5
		S/T	0.88	0.82	0.67	0.50	0.91	0.85	0.69	0.52	0.93	0.87	0.71	0.53	0.96	0.90	0.73	0.55	1.00	0.94	0.76	0.57	1.01	0.94	0.77	0.57
		Delta T	25	24	21	17	25	24	21	17	25	24	21	17	25	24	21	17	25	24	21	17	23	22	19	16
		KW	1.04	1.06	1.10	1.14	1.13	1.15	1.19	1.23	1.20	1.23	1.27	1.32	1.27	1.30	1.35	1.39	1.33	1.36	1.41	1.46	1.38	1.41	1.46	1.51
		AMPS	4.3	4.4	4.6	4.8	4.7	4.8	5.0	5.2	5.1	5.2	5.4	5.6	5.5	5.6	5.8	6.0	5.8	6.0	6.2	6.4	6.2	6.3	6.5	6.8
		HI PR	207	223	235	246	232	250	264	276	264	285	300	313	301	324	342	357	339	365	385	402	374	403	425	444
		LO PR	105	111	121	129	110	118	128	137	115	122	133	142	121	128	140	149	126	134	147	156	131	139	152	162
		MBh	17.0	17.4	18.6	19.8	16.6	17.0	18.1	19.4	16.2	16.6	17.7	18.9	15.8	16.2	17.3	18.5	15.0	15.4	16.4	17.5	13.9	14.2	15.2	16.2
		S/T	0.89	0.84	0.68	0.51	0.92	0.87	0.70	0.53	0.95	0.89	0.72	0.54	0.98	0.92	0.75	0.56	1.00	0.95	0.77	0.58	1.00	0.96	0.78	0.58
		Delta T	23	22	19	15	23	23	20	16	24	23	20	16	24	23	20	16	23	22	19	16	21	21	18	15
KW	1.05	1.08	1.11	1.15	1.14	1.17	1.21	1.25	1.22	1.25	1.29	1.33	1.28	1.32	1.36	1.41	1.34	1.38	1.42	1.48	1.39	1.43	1.48	1.53		
AMPS	4.4	4.5	4.7	4.8	4.8	4.9	5.0	5.2	5.2	5.3	5.5	5.7	5.5	5.7	5.9	6.1	5.9	6.0	6.2	6.5	6.2	6.4	6.6	6.9		
HI PR	210	226	239	249	236	254	268	279	268	288	304	318	305	328	347	362	343	369	390	407	379	408	431	450		
LO PR	106	113	123	131	112	119	130	138	116	124	135	144	122	130	142	151	128	136	149	158	132	141	154	164		
MBh	17.5	17.9	19.1	20.5	17.1	17.5	18.7	20.0	16.7	17.1	18.2	19.5	16.3	16.7	17.8	19.0	15.5	15.8	16.9	18.1	14.3	14.7	15.7	16.7		
S/T	0.91	0.85	0.69	0.52	0.94	0.88	0.72	0.54	0.97	0.91	0.74	0.55	1.00	0.94	0.76	0.57	1.00	1.00	0.79	0.59	1.00	1.00	0.80	0.60		
Delta T	23	22	19	15	23	22	19	15	23	22	19	15	23	22	19	15	22	22	19	15	20	21	18	14		
KW	1.07	1.09	1.13	1.17	1.16	1.18	1.22	1.27	1.24	1.26	1.31	1.36	1.30	1.34	1.38	1.43	1.36	1.40	1.45	1.50	1.42	1.45	1.50	1.55		
AMPS	4.5	4.6	4.7	4.9	4.8	4.9	5.1	5.3	5.2	5.4	5.6	5.8	5.6	5.8	5.9	6.2	6.0	6.1	6.3	6.6	6.3	6.5	6.7	7.0		
HI PR	214	230	243	253	240	258	272	284	273	293	310	323	310	334	353	368	349	376	397	414	386	415	439	457		
LO PR	108	115	125	133	114	121	132	141	118	126	137	146	124	132	144	154	130	139	151	161	135	143	157	167		
85	525	MBh	16.5	16.8	17.6	18.7	16.1	16.4	17.2	18.3	15.7	16.0	16.8	17.9	15.3	15.6	16.3	17.4	14.5	14.8	15.5	16.6	13.5	13.7	14.4	15.3
		S/T	0.92	0.89	0.80	0.65	0.95	0.92	0.83	0.67	0.98	0.94	0.85	0.69	1.00	0.97	0.88	0.71	1.00	1.00	0.91	0.74	1.00	1.00	0.92	0.75
		Delta T	27	26	25	21	27	26	25	22	27	26	25	22	27	27	25	22	25	26	25	21	24	24	23	20
		KW	1.05	1.07	1.11	1.15	1.14	1.16	1.20	1.24	1.21	1.24	1.28	1.33	1.28	1.31	1.36	1.41	1.34	1.37	1.42	1.47	1.39	1.42	1.47	1.53
		AMPS	4.4	4.5	4.6	4.8	4.7	4.9	5.0	5.2	5.2	5.3	5.5	5.7	5.5	5.6	5.8	6.1	5.9	6.0	6.2	6.4	6.2	6.4	6.6	6.8
		HI PR	209	225	238	248	235	253	267	278	267	287	303	317	304	327	346	361	342	368	389	406	378	407	430	448
		LO PR	106	112	123	131	112	119	130	138	116	123	135	143	122	130	141	151	128	136	148	158	132	140	153	163
		MBh	17.3	17.6	18.5	19.7	16.9	17.2	18.0	19.2	16.5	16.8	17.6	18.8	16.1	16.4	17.2	18.3	15.3	15.6	16.3	17.4	14.2	14.4	15.1	16.1
		S/T	0.93	0.90	0.81	0.66	0.97	0.93	0.84	0.68	0.99	0.96	0.86	0.70	1.00	0.99	0.89	0.72	1.00	1.00	0.93	0.75	1.00	1.00	0.93	0.76
		Delta T	25	24	23	20	25	25	23	20	25	25	23	20	25	25	23	20	23	24	23	20	22	22	22	19
KW	1.06	1.08	1.12	1.16	1.15	1.18	1.22	1.26	1.23	1.26	1.30	1.35	1.30	1.33	1.37	1.42	1.36	1.39	1.44	1.49	1.41	1.44	1.49	1.54		
AMPS	4.4	4.5	4.7	4.9	4.8	4.9	5.1	5.3	5.2	5.3	5.5	5.7	5.6	5.7	5.9	6.1	5.9	6.1	6.3	6.5	6.3	6.4	6.7	6.9		
HI PR	212	228	241	251	238	256	270	282	271	291	308	321	308	332	350	365	347	373	394	411	383	412	435	454		
LO PR	107	114	124	132	113	120	131	140	118	125	136	145	123	131	143	153	129	138	150	160	134	142	155	166		
MBh	17.8	18.2	19.0	20.3	17.4	17.8	18.6	19.8	17.0	17.3	18.2	19.4	16.6	16.9	17.7	18.9	15.8	16.1	16.8	18.0	14.6	14.9	15.6	16.6		
S/T	0.95	0.92	0.83	0.67	0.99	0.95	0.86	0.70	1.00	0.98	0.88	0.72	1.00	1.00	0.91	0.74	1.00	1.00	0.95	0.77	1.00	1.00	0.95	0.77		
Delta T	24	24	22	19	24	24	23	20	24	24	23	20	23	23	24	23	22	23	22	19	21	21	21	18		
KW	1.08	1.10	1.14	1.18	1.17	1.19	1.23	1.28	1.25	1.28	1.32	1.37	1.32	1.35	1.40	1.45	1.38	1.41	1.46	1.51	1.43	1.46	1.51	1.57		
AMPS	4.5	4.6	4.8	4.9	4.9	5.0	5.2	5.4	5.3	5.4	5.6	5.8	5.7	5.8	6.0	6.2	6.0	6.2	6.4	6.6	6.4	6.6	6.8	7.0		
HI PR	216	232	245	256	242	261	275	287	275	296	313	326	314	337	356	372	353	380	401	418	390	419	443	462		
LO PR	109	116	126	135	115	122	134	142	120	127	139	148	126	134	146	155	132	140	153	163	136	145	158	168		

* Entering Indoor Dry Bulb Temperature
 High and low pressures are measured at the liquid and suction service valves.
 NOTE: Shaded area is AHRI Rating Conditions
 AMPS=outside unit amps (comp.+fan)
 KW= Total system power

COOLING PERFORMANCE DATA

GSX130361E*

EXPANDED PERFORMANCE DATA

MODEL: GSX130361E* + CAPF3636D6DB

COOLING OPERATION

IDB*	Airflow	Outdoor Ambient Temperature																								
		65				75				85				95				105				115				
		59	63	67	71	59	63	67	71	59	63	67	71	59	63	67	71	59	63	67	71	59	63	67	71	
70	1050	MBh	29.5	30.6	33.5	-	28.8	29.9	32.7	-	28.1	29.2	31.9	-	27.4	28.4	31.2	-	26.1	27.0	29.6	-	24.2	25.0	27.4	-
		S/T	0.71	0.59	0.41	-	0.74	0.62	0.43	-	0.76	0.63	0.44	-	0.78	0.65	0.45	-	0.81	0.68	0.47	-	0.82	0.68	0.47	-
		Delta T	18	16	12	-	19	16	12	-	19	16	12	-	19	16	12	-	18	16	12	-	17	15	11	-
		KW	2.37	2.42	2.48	-	2.53	2.58	2.65	-	2.67	2.72	2.80	-	2.79	2.85	2.93	-	2.90	2.96	3.04	-	2.99	3.05	3.14	-
		AMPS	9.6	9.7	9.8	-	10.0	10.1	10.3	-	10.4	10.5	10.7	-	10.8	10.9	11.1	-	11.2	11.3	11.6	-	11.6	11.7	12.0	-
		HI PR	176	189	200	-	197	212	224	-	224	242	255	-	256	275	291	-	288	309	327	-	318	342	361	-
LO PR	91	97	106	-	96	103	112	-	100	107	116	-	105	112	122	-	110	117	128	-	114	121	133	-		
70	1200	MBh	32.0	33.1	36.3	-	31.2	32.4	35.5	-	30.5	31.6	34.6	-	29.7	30.8	33.8	-	28.2	29.3	32.1	-	26.2	27.1	29.7	-
		S/T	0.74	0.62	0.43	-	0.76	0.64	0.44	-	0.78	0.65	0.45	-	0.81	0.68	0.47	-	0.84	0.70	0.49	-	0.85	0.71	0.49	-
		Delta T	18	16	12	-	18	16	12	-	18	16	12	-	18	16	12	-	18	16	12	-	17	15	11	-
		KW	2.42	2.47	2.54	-	2.59	2.64	2.71	-	2.73	2.78	2.86	-	2.86	2.91	3.00	-	2.96	3.02	3.11	-	3.06	3.12	3.21	-
		AMPS	9.7	9.8	10.0	-	10.1	10.2	10.4	-	10.6	10.7	10.9	-	11.0	11.1	11.3	-	11.4	11.5	11.8	-	11.8	11.9	12.2	-
		HI PR	181	195	206	-	203	219	231	-	231	249	263	-	264	284	299	-	296	319	337	-	328	353	372	-
LO PR	94	100	109	-	99	106	116	-	103	110	120	-	109	116	126	-	114	121	132	-	118	125	137	-		
70	1350	MBh	32.9	34.1	37.4	-	32.2	33.3	36.5	-	31.4	32.5	35.7	-	30.6	31.7	34.8	-	29.1	30.2	33.0	-	27.0	27.9	30.6	-
		S/T	0.77	0.65	0.45	-	0.80	0.67	0.46	-	0.82	0.69	0.48	-	0.85	0.71	0.49	-	0.88	0.74	0.51	-	0.89	0.74	0.51	-
		Delta T	17	15	11	-	18	15	12	-	18	15	12	-	18	15	12	-	17	15	11	-	16	14	11	-
		KW	2.44	2.49	2.55	-	2.61	2.65	2.73	-	2.75	2.80	2.88	-	2.88	2.94	3.02	-	2.99	3.05	3.14	-	3.08	3.14	3.24	-
		AMPS	9.7	9.9	10.0	-	10.1	10.3	10.5	-	10.6	10.8	11.0	-	11.0	11.2	11.4	-	11.4	11.6	11.8	-	11.8	12.0	12.2	-
		HI PR	183	197	208	-	205	221	234	-	234	252	266	-	266	286	302	-	299	322	340	-	331	356	376	-
LO PR	95	101	110	-	100	107	117	-	104	111	121	-	110	117	127	-	115	122	134	-	119	126	138	-		

IDB*	Airflow	Outdoor Ambient Temperature																								
		65				75				85				95				105				115				
		59	63	67	71	59	63	67	71	59	63	67	71	59	63	67	71	59	63	67	71	59	63	67	71	
75	1050	MBh	30.0	30.9	33.4	35.9	29.3	30.2	32.7	35.1	28.6	29.5	31.9	34.2	27.9	28.7	31.1	33.4	26.5	27.3	29.6	31.7	24.6	25.3	27.4	29.4
		S/T	0.81	0.72	0.55	0.35	0.84	0.75	0.57	0.36	0.86	0.77	0.58	0.37	0.89	0.79	0.60	0.39	0.92	0.82	0.62	0.40	0.93	0.83	0.63	0.40
		Delta T	21	20	16	11	21	20	16	11	22	20	16	11	22	20	16	11	21	20	16	11	20	18	15	10
		KW	2.39	2.43	2.50	2.57	2.55	2.60	2.67	2.75	2.69	2.74	2.82	2.90	2.81	2.87	2.95	3.04	2.92	2.98	3.07	3.16	3.01	3.07	3.16	3.26
		AMPS	9.6	9.7	9.9	10.1	10.0	10.1	10.3	10.5	10.5	10.6	10.8	11.0	10.8	11.0	11.2	11.4	11.2	11.4	11.6	11.9	11.6	11.8	12.0	12.3
		HI PR	178	191	202	211	199	215	227	236	227	244	258	269	258	278	293	306	291	313	330	344	321	345	365	380
LO PR	92	98	107	114	97	104	113	121	101	108	118	125	106	113	124	132	112	119	130	138	115	123	134	143		
75	1200	MBh	32.5	33.5	36.2	38.9	31.8	32.7	35.4	38.0	31.0	31.9	34.5	37.1	30.2	31.1	33.7	36.2	28.7	29.6	32.0	34.4	26.6	27.4	29.7	31.8
		S/T	0.84	0.75	0.57	0.37	0.87	0.78	0.59	0.38	0.89	0.80	0.60	0.39	0.92	0.82	0.62	0.40	0.95	0.85	0.65	0.42	0.96	0.86	0.65	0.42
		Delta T	21	19	16	11	21	19	16	11	21	19	16	11	21	20	16	11	21	19	16	11	20	18	15	10
		KW	2.44	2.49	2.56	2.63	2.61	2.66	2.73	2.81	2.75	2.80	2.89	2.97	2.88	2.94	3.02	3.11	2.99	3.05	3.14	3.23	3.08	3.14	3.24	3.34
		AMPS	9.7	9.9	10.0	10.2	10.1	10.3	10.5	10.7	10.6	10.8	11.0	11.2	11.0	11.2	11.4	11.6	11.4	11.6	11.8	12.1	11.8	12.0	12.2	12.5
		HI PR	183	197	208	217	206	221	234	244	234	252	266	277	266	287	303	316	300	322	340	355	331	356	376	392
LO PR	95	101	110	118	100	107	117	124	104	111	121	129	110	117	127	136	115	122	134	142	119	127	138	147		
75	1350	MBh	33.5	34.5	37.3	40.0	32.7	33.7	36.4	39.1	31.9	32.9	35.6	38.2	31.1	32.1	34.7	37.3	29.6	30.5	33.0	35.4	27.4	28.2	30.5	32.8
		S/T	0.88	0.79	0.60	0.38	0.91	0.81	0.62	0.40	0.93	0.84	0.63	0.41	0.96	0.86	0.65	0.42	1.00	0.90	0.68	0.44	1.00	0.90	0.68	0.44
		Delta T	20	18	15	10	20	19	15	11	20	19	15	11	20	19	15	11	20	19	15	11	19	17	14	10
		KW	2.46	2.50	2.57	2.65	2.62	2.67	2.75	2.83	2.77	2.82	2.91	2.99	2.90	2.96	3.04	3.14	3.01	3.07	3.16	3.26	3.10	3.17	3.26	3.36
		AMPS	9.8	9.9	10.1	10.3	10.2	10.3	10.5	10.7	10.7	10.8	11.0	11.3	11.1	11.2	11.4	11.7	11.5	11.7	11.9	12.2	11.9	12.1	12.3	12.6
		HI PR	185	199	210	219	208	223	236	246	236	254	268	280	269	289	306	319	303	326	344	359	334	360	380	396
LO PR	96	102	112	119	101	108	118	126	105	112	123	130	111	118	129	137	116	124	135	144	120	128	139	149		

* Entering Indoor Dry Bulb Temperature
High and low pressures are measured at the liquid and suction service valves.

NOTE: Shaded area is ACCA (TVA) conditions

AMPS=Outdoor unit amps (comp. f/fan)
KW=Total system power

COOLING PERFORMANCE DATA

GSX130361E*

EXPANDED PERFORMANCE DATA

MODEL: GSX130361E* + CAPF3636D6DB

COOLING OPERATION

IDB*	Airflow	Outdoor Ambient Temperature																												
		65				75				85				95				105				115								
		59	63	67	71	59	63	67	71	59	63	67	71	59	63	67	71	59	63	67	71	59	63	67	71					
80	1050	MBh	30.5	31.2	33.3	35.6	29.8	30.5	32.6	34.8	29.1	29.8	31.8	34.0	28.4	29.0	31.0	33.2	0.97	0.91	0.74	0.55	1.01	0.95	0.77	0.58	1.02	0.95	0.78	0.58
		S/T	0.89	0.83	0.68	0.51	0.92	0.86	0.70	0.52	0.94	0.88	0.72	0.54	0.97	0.91	0.74	0.55	24	23	20	16	24	23	20	16	22	21	19	15
		Delta T	24	23	20	16	24	23	20	16	24	23	20	16	24	23	20	16	2.84	2.89	2.98	3.07	2.94	3.00	3.09	3.18	3.03	3.10	3.19	3.29
		KW	2.41	2.45	2.52	2.59	2.57	2.62	2.69	2.77	2.71	2.76	2.84	2.93	2.84	2.89	2.98	3.07	10.9	11.1	11.3	11.5	11.3	11.5	11.7	11.9	11.7	11.9	12.1	12.4
		AMPS	9.7	9.8	9.9	10.1	10.0	10.2	10.4	10.6	10.5	10.6	10.8	11.1	10.9	11.1	11.3	11.5	261	281	296	309	293	316	333	348	324	349	368	384
		HIPR	179	193	204	213	201	217	229	239	229	246	260	271	261	281	296	309	107	114	125	133	113	120	131	139	117	124	135	144
		LO PR	93	99	108	115	98	105	114	122	102	109	119	127	107	114	125	133	30.8	31.4	33.6	35.9	29.2	29.9	31.9	34.1	27.1	27.7	29.6	31.6
		S/T	0.92	0.86	0.70	0.52	0.95	0.89	0.73	0.54	0.98	0.92	0.75	0.56	1.00	0.95	0.77	0.58	24	23	20	16	22	22	20	16	21	21	18	15
		Delta T	23	22	19	16	24	23	20	16	24	23	20	16	24	23	20	16	2.90	2.96	3.05	3.14	3.01	3.07	3.16	3.26	3.10	3.17	3.26	3.36
		KW	2.46	2.50	2.57	2.65	2.62	2.67	2.75	2.83	2.77	2.82	2.91	2.99	2.90	2.96	3.05	3.14	11.1	11.2	11.5	11.7	11.5	11.7	11.9	12.2	11.9	12.1	12.3	12.6
AMPS	9.8	9.9	10.1	10.3	10.2	10.3	10.5	10.7	10.7	10.8	11.0	11.3	11.1	11.2	11.5	11.7	269	289	306	319	303	326	344	359	334	360	380	396		
HIPR	185	199	210	219	208	223	236	246	236	254	268	280	269	289	306	319	111	118	129	137	116	124	135	144	120	128	140	149		
LO PR	96	102	112	119	102	108	118	126	105	112	123	130	111	118	129	137	31.7	32.4	34.6	37.0	30.1	30.8	32.9	35.1	27.9	28.5	30.5	32.6		
MBh	34.1	34.8	37.2	39.8	33.3	34.0	36.3	38.8	32.5	33.2	35.5	37.9	31.7	32.4	34.6	37.0	1.00	1.00	0.81	0.60	1.00	1.00	0.84	0.63	1.00	1.00	0.84	0.63		
S/T	0.96	0.90	0.74	0.55	1.00	0.94	0.76	0.57	1.00	0.96	0.78	0.58	1.00	1.00	0.81	0.60	22	22	19	15	21	21	19	15	19	19	18	14		
Delta T	22	21	19	15	23	22	19	15	22	22	19	15	22	22	19	15	2.92	2.98	3.07	3.16	3.03	3.09	3.19	3.28	3.13	3.19	3.29	3.39		
KW	2.48	2.52	2.59	2.67	2.64	2.69	2.77	2.85	2.79	2.85	2.93	3.02	2.92	2.98	3.07	3.16	11.1	11.3	11.5	11.8	11.5	11.7	12.0	12.2	12.0	12.1	12.4	12.7		
AMPS	9.8	10.0	10.1	10.3	10.2	10.4	10.6	10.8	10.7	10.9	11.1	11.3	11.1	11.3	11.5	11.8	272	292	309	322	306	329	347	362	338	363	384	400		
HIPR	187	201	212	221	210	226	238	249	238	257	271	283	272	292	309	322	112	119	130	138	117	125	136	145	121	129	141	150		
LO PR	97	103	113	120	103	109	119	127	107	113	124	132	112	119	130	138	28.9	29.5	30.9	32.9	27.5	28.0	29.3	31.3	25.4	25.9	27.2	29.0		
85	1050	MBh	31.1	31.7	33.2	35.4	30.3	30.9	32.4	34.6	29.6	30.2	31.6	33.7	28.9	29.5	30.9	32.9	1.00	0.98	0.89	0.72	1.00	1.00	0.92	0.75	1.00	1.00	0.93	0.75
		S/T	0.93	0.90	0.81	0.66	0.96	0.93	0.84	0.68	0.99	0.95	0.86	0.70	1.00	0.98	0.89	0.72	25	25	24	21	24	25	24	20	22	23	22	19
		Delta T	25	25	24	20	26	25	24	21	26	25	24	21	25	25	24	21	2.86	2.91	3.00	3.09	2.96	3.02	3.11	3.21	3.06	3.12	3.21	3.31
		KW	2.42	2.47	2.54	2.61	2.59	2.64	2.71	2.79	2.73	2.78	2.86	2.95	2.86	2.91	3.00	3.09	11.0	11.1	11.3	11.6	11.4	11.5	11.7	12.0	11.8	11.9	12.2	12.5
		AMPS	9.7	9.8	10.0	10.2	10.1	10.2	10.4	10.6	10.6	10.7	10.9	11.1	11.0	11.1	11.3	11.6	263	284	299	312	296	319	337	351	327	352	372	388
		HIPR	181	195	206	215	203	219	231	241	231	249	263	274	263	284	299	312	109	115	126	134	114	121	132	141	118	125	137	146
		LO PR	94	100	109	116	99	106	115	123	103	110	120	128	109	115	126	134	31.3	31.9	33.4	35.7	29.7	30.3	31.8	33.9	27.6	28.1	29.4	31.4
		MBh	33.7	34.3	35.9	38.3	32.9	33.5	35.1	37.5	32.1	32.7	34.3	36.6	31.3	31.9	33.4	35.7	1.00	1.00	0.92	0.75	1.00	1.00	0.96	0.78	1.00	1.00	0.96	0.78
		S/T	0.96	0.93	0.84	0.68	1.00	0.96	0.87	0.71	1.00	0.99	0.89	0.72	1.00	1.00	0.92	0.75	24	24	24	20	23	23	23	20	21	22	22	19
		Delta T	25	24	23	20	25	25	23	20	25	25	23	20	24	24	24	20	2.92	2.98	3.07	3.16	3.03	3.09	3.19	3.28	3.13	3.19	3.29	3.39
KW	2.48	2.52	2.59	2.67	2.64	2.69	2.77	2.85	2.79	2.85	2.93	3.02	2.92	2.98	3.07	3.16	11.1	11.3	11.5	11.8	11.5	11.7	12.0	12.2	12.0	12.1	12.4	12.7		
AMPS	9.8	10.0	10.1	10.3	10.2	10.4	10.6	10.8	10.7	10.9	11.1	11.3	11.1	11.3	11.5	11.8	272	292	309	322	306	329	347	362	338	363	384	400		
HIPR	187	201	212	221	210	226	238	249	238	257	271	283	272	292	309	322	112	119	130	138	117	125	136	145	121	129	141	150		
LO PR	97	103	113	120	103	109	119	127	107	113	124	132	112	119	130	138	30.6	31.2	32.6	34.6	28.4	28.9	30.3	32.3	26.4	26.9	28.2	30.3		
85	1200	MBh	34.7	35.3	37.0	39.5	33.9	34.5	36.2	38.6	33.1	33.7	35.3	37.7	32.3	32.9	34.4	36.7	1.00	1.00	0.97	0.78	1.00	1.00	1.00	0.81	1.00	1.00	1.00	0.82
		S/T	1.00	0.98	0.88	0.71	1.00	1.00	0.91	0.74	1.00	1.00	0.94	0.76	1.00	1.00	0.97	0.78	22	22	23	20	21	21	22	19	19	20	21	18
		Delta T	24	23	22	19	23	24	22	19	23	23	22	19	22	22	23	20	2.94	3.00	3.09	3.19	3.06	3.12	3.21	3.31	3.15	3.22	3.31	3.42
		KW	2.49	2.54	2.61	2.68	2.66	2.71	2.79	2.87	2.81	2.87	2.95	3.04	2.94	3.00	3.09	3.19	11.2	11.4	11.6	11.8	11.6	11.8	12.0	12.3	12.0	12.2	12.5	12.7
		AMPS	9.9	10.0	10.2	10.4	10.3	10.4	10.6	10.8	10.8	10.9	11.1	11.4	11.2	11.4	11.6	11.8	274	295	312	325	309	332	351	366	341	367	387	404
		HIPR	189	203	214	224	212	228	241	251	241	259	274	285	274	295	312	325	113	120	131	140	118	126	138	147	123	130	142	152
		LO PR	98	104	114	121	104	110	120	128	108	114	125	133	113	120	131	140	30.6	31.2	32.6	34.6	28.4	28.9	30.3	32.3	26.4	26.9	28.2	30.3
		MBh	34.7	35.3	37.0	39.5	33.9	34.5	36.2	38.6	33.1	33.7	35.3	37.7	32.3	32.9	34.4	36.7	1.00	1.00	0.97	0.78	1.00	1.00	1.00	0.81	1.00	1.00	1.00	0.82
		S/T	1.00	0.98	0.88	0.71	1.00	1.00	0.91	0.74	1.00	1.00	0.94	0.76	1.00	1.00	0.97	0.78	22	22	23	20	21	21	22	19	19	20	21	18
		Delta T	24	23	22	19	23	24	22	19	23	23	22	19	22	22	23	20	2.94	3.00	3.09	3.19	3.06	3.12	3.21	3.31	3.15	3.22	3.31	3.42
KW	2.49	2.54	2.61	2.68	2.66	2.71	2.79	2.87	2.81	2.87	2.95	3.04	2.94	3.00	3.09	3.19	11.2	11.4	11.6	11.8	11.6	11.8	12.0	12.3	12.0	12.2	12.5	12.7		
AMPS	9.9	10.0	10.2	10.4	10.3	10.4	10.6	10.8	10.8	10.																				

PERFORMANCE DATA

PERFORMANCE TEST

All data based upon listed indoor dry bulb temperature. .00 inches external static pressure on coil of outdoor section. Indoor air cubic feet per minute (CFM) as listed in the Performance Data Sheets:

If conditions vary from this, results will change as follows:

1. As indoor dry bulb temperatures increase, a slight increase will occur in indoor air temperature drop (Delta T). Low and high side pressures and power will not change.
2. As indoor CFM decreases, a slight increase will occur in indoor temperature drop (Delta T). A slight decrease will occur in low and high side pressures and power.

A properly operating unit should be within plus or minus **2 degrees** of the subcooling value shown in the installation instructions.

A properly operating unit should be within plus or minus **3 degrees** of the typical (Delta T) value shown.

A properly operating unit should be within plus or minus **10 PSIG** of the **HI PR** shown.

A properly operating unit should be within plus or minus **5 PSIG** of the **LO PR** shown.

A properly operating unit should be within plus or minus **3 Amps** of the typical value shown.

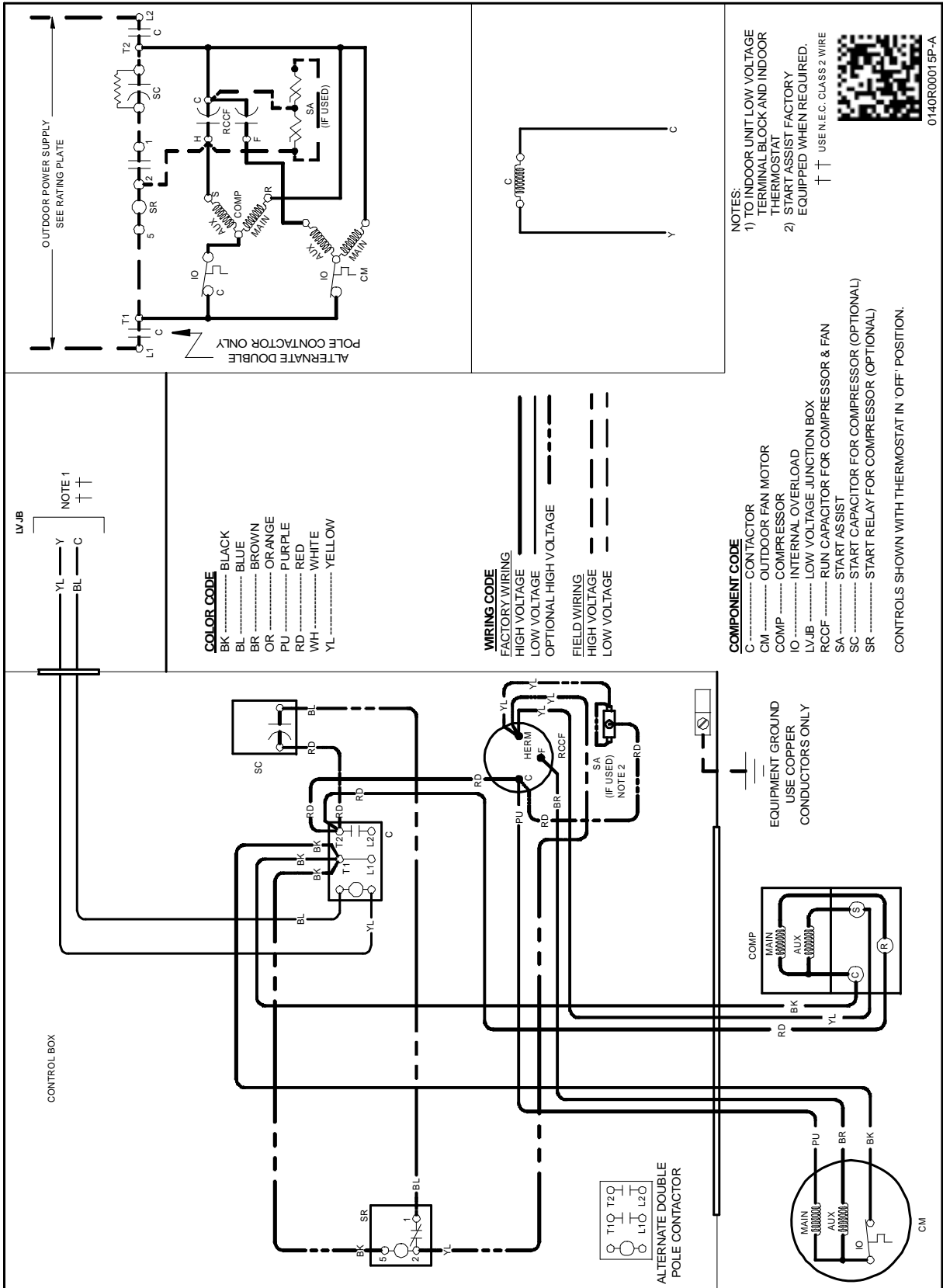
NOTE: Pressures are measures at the liquid and suction service valve ports.

WIRING DIAGRAMS

GSX130[18-60]1B*/GSX130[18 & 36]1C*
GSX130[18-36]1D*/GSX130611A*

WARNING

HIGH VOLTAGE!
DISCONNECT ALL POWER BEFORE SERVICING OR INSTALLING THIS UNIT. MULTIPLE POWER SOURCES MAY BE PRESENT. FAILURE TO DO SO MAY CAUSE PROPERTY DAMAGE, PERSONAL INJURY OR DEATH.



Wiring is subject to change, always refer to the wiring diagram on the unit for the most up-to-date wiring.

