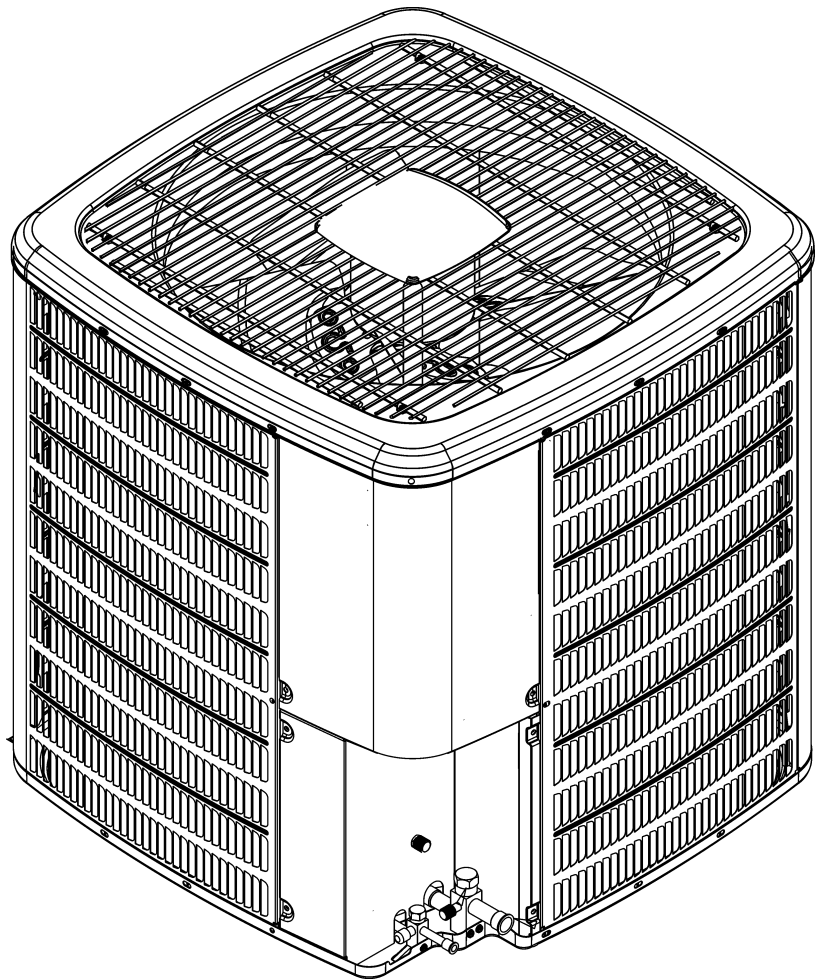


GSZ16 Remote Heat Pump

GSZ160181BA
GSZ160181BB
GSZ160181BC
GSZ160241BA
GSZ160241BB
GSZ160301BA
GSZ160301BB
GSZ160361BA
GSZ160421BA
GSZ160481BA
GSZ160601BA



This manual is to be used by qualified technicians only.

This manual replaces RP-G4007E.

© 2015 - 2016 Goodman Manufacturing Company, L.P. ♦ 5151 San Felipe St., Suite 500 ♦ Houston, TX 77056

Important Information

Index

Functional Parts List	3
Illustration and Parts	4 - 9

Views shown are for parts illustrations only, not servicing procedures

Text Codes:

AR - As Required

NA - Not Available

NS - Not Shown

00000000 - See Note

QTY - Quantity Example (QTY 3) (If Quantity not shown, Quantity = 1)

M - Model Example (M1) (If M Code not shown, then part is used on all Models)

Expanded Model Nomenclature:

Example M1 - Model#1 M2 - Model#2 M3 - Model#3

Goodman Manufacturing Company, L.P. is not responsible for personal injury or property damage resulting from improper service. Review all service information before beginning repairs.

Warranty service must be performed by an authorized technician, using authorized factory parts. If service is required after the warranty expires, Goodman Manufacturing Company, L.P. also recommends contacting an authorized technician and using authorized factory parts.

Goodman Manufacturing Company, L.P. reserves the right to discontinue, or change at any time, specifications or designs without notice or without incurring obligations.

For assistance within the U.S.A. contact:
Homeowner Support
Goodman Manufacturing Company, L.P.
19001 Kermier Road
Waller, Texas 77484
877-254-4729-Telephone
713-863-2382-Facsimile

For assistance outside the U.S.A. contact:
International Division
Goodman Manufacturing Company, L.P.
19001 Kermier Road
Waller, Texas 77484
713-861-2500-Telephone
713-863-2382-Facsimile

Functional Parts

Part No: **Description:**

0151R00079	BASE VALVE 3/4" (M1, M2, M3, M4, M5, M6, M7)
0151R00078	BASE VALVE 3/8"
0151R00080	BASE VALVE 7/8" (M8, M9, M10, M11)
CAP050300440CS	CAP.5/30MFD/440V/DUAL RD (M1, M2, M3)
CAP050350440CS	CAPACITOR 5/35/440V (M4, M5, M6, M7)
CAP050400440CT	CAPACITOR 5/40/440V/DUAL RD (M11)
CAP050450440CT	CAPACITOR 5/45/440V/DUAL RD (M8, M9, M10)
ZP14K6EPFV130	COMP, 14,000,208/230/60/1 (M1, M2, M3)
ZP20K6EPFV130	COMP, 20,000,208/230/60/1 (M4, M5)
ZP29K6EPFV130	COMP, 29,000,208/230/60/1 (M8)
ZP34K6EPFV130	COMP, 46500, 208/230/60/1 (M9)
ZP25K6EPFV130	COMP,34200,208/230/60/1 (M6, M7)
ZP39K5EPFV130	COMPRESSOR 39000, 208/230/60/1 (M10)
ZPS49K5EPFV130	COMPRESSOR 49100, 208/230/60/1 (M11)
20468101	COMPRESSOR SOLENOID CABLE (M11)
0131M00018P	COND MOTOR 1/4 HP, 1 SP, 6 PL (M9)
0131M00061	COND MOTOR 1/4 HP, 1 SP, 8 PL (M4, M6, M8, M10)
0131M00060	COND MOTOR 1/6 HP, 1 SP, 8 PL (M1, M2)
0131M00038	COND MOTOR 1/6 HP, 2 SP, 8 PL (M11)
0131M00754	COND MOTOR, PSC, 1/6HP, 8PL (M5, M7)
CONT1P025024V	CONTACTOR 25 AMP, 1P, 24V (M1, M2, M3, M4, M5, M6, M7, M8)
CONT1P030024V	CONTACTOR 30 AMP, 1P, 24V (M9, M10)
CONT2P040024V	CONTACTOR 40 AMP, 2P, 24V (M11)
0130M00250	CONTROL, DEFROST
0130M00089	CUT-OUT SWITCH, HIGH PRESSURE
0130M00088	CUT-OUT SWITCH, LOW PRESSURE
PCBDM133	DEFROST CONTROL BOARD
0130M00106	DISC THERMOSTAT(CRNKCS HTR SW)
B1086750	FAN BLADE 22", 3 BLADE, 24° (M9)
10625738	FAN BLADE 26" ALUM CCW (M4, M5, M6, M7, M8, M10, M11)
B1086764	FAN BLADE TYPE 2 (M1, M2, M3)
0163R00006	HEATER, CRANKCASE 230V, 40W (M1, M2, M3, M4, M5, M6, M7, M8)
0163R00007	HEATER, CRANKCASE 230V, 40W (M9, M10, M11)
0131M00753	MOTOR, 1/6HP, 1SP, 8PL, AL (M3)
10135604	RELAY (M11)
0151R00071	REVERSING VALVE (M8, M9, M10, M11)
0151R00069	REVERSING VALVE (M1, M2, M3)
0151R00068	REVERSING VALVE (M4, M5, M6, M7)
B1225022	SOLENOID COIL
11046711	THERMOSTAT DISC (M11)
0151R00121	VALVE, TXV R410A (M1, M2, M3)
0151R00126	VALVE, TXV R-410A (M10)
0151R00125	VALVE, TXV R-410A (M9)
0151R00124	VALVE, TXV R-410A (M6, M7)
0151R00127	VALVE, TXV R-410A (M11)
0151R00123	VALVE, TXV R-410A (M8)
0151R00122	VALVE, TXV R-410A (M4, M5)

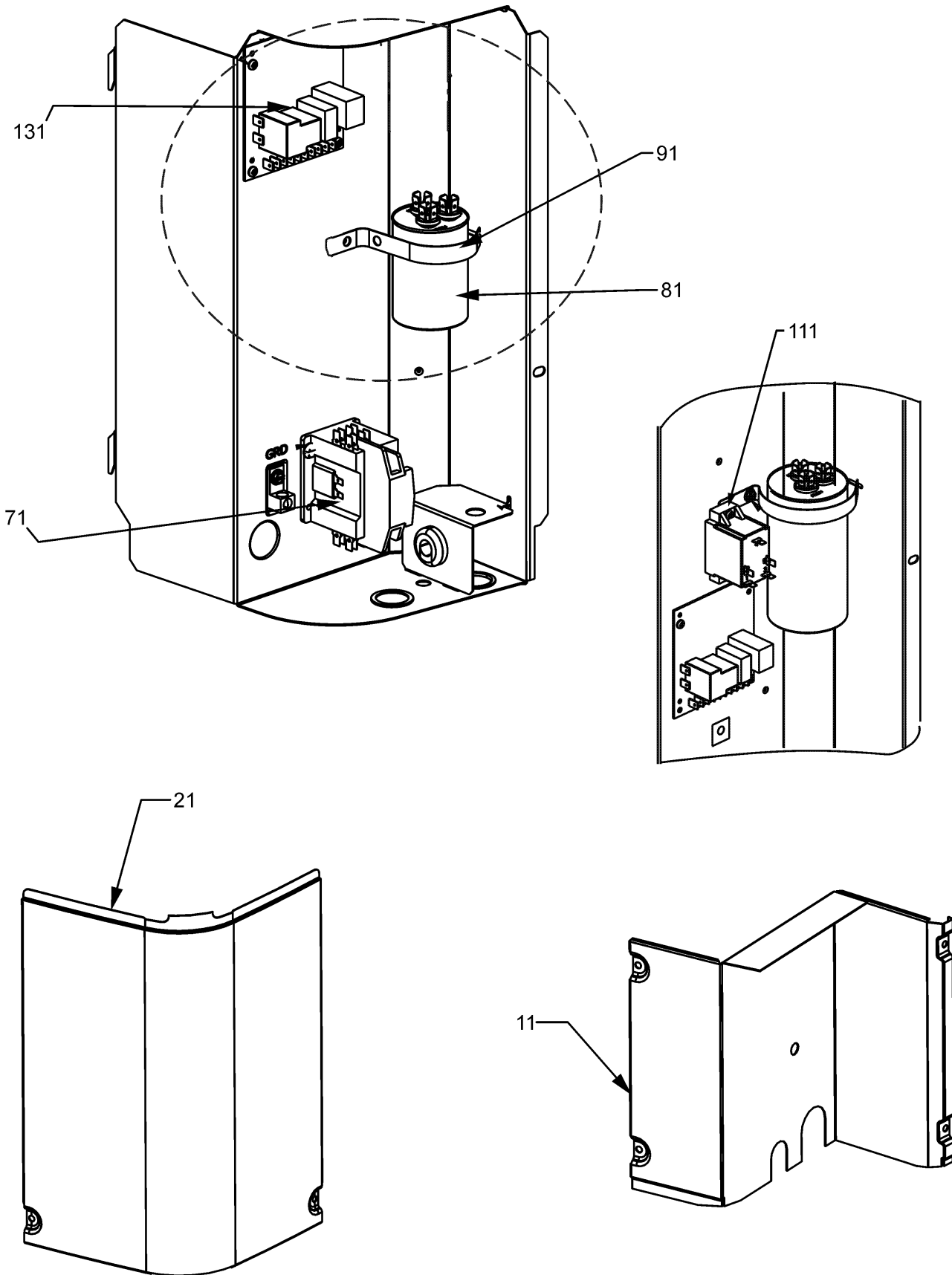
SPECIAL PARTS

0161R00024	GRILL CAP
0161R00009P	NAMEPLATE

Expanded Model Nomenclature

M1 - GSZ160181BA
M2 - GSZ160181BB
M3 - GSZ160181BC
M4 - GSZ160241BA
M5 - GSZ160241BB
M6 - GSZ160301BA
M7 - GSZ160301BB
M8 - GSZ160361BA
M9 - GSZ160421BA
M10 - GSZ160481BA
M11 - GSZ160601BA

Control Cover / Control Box



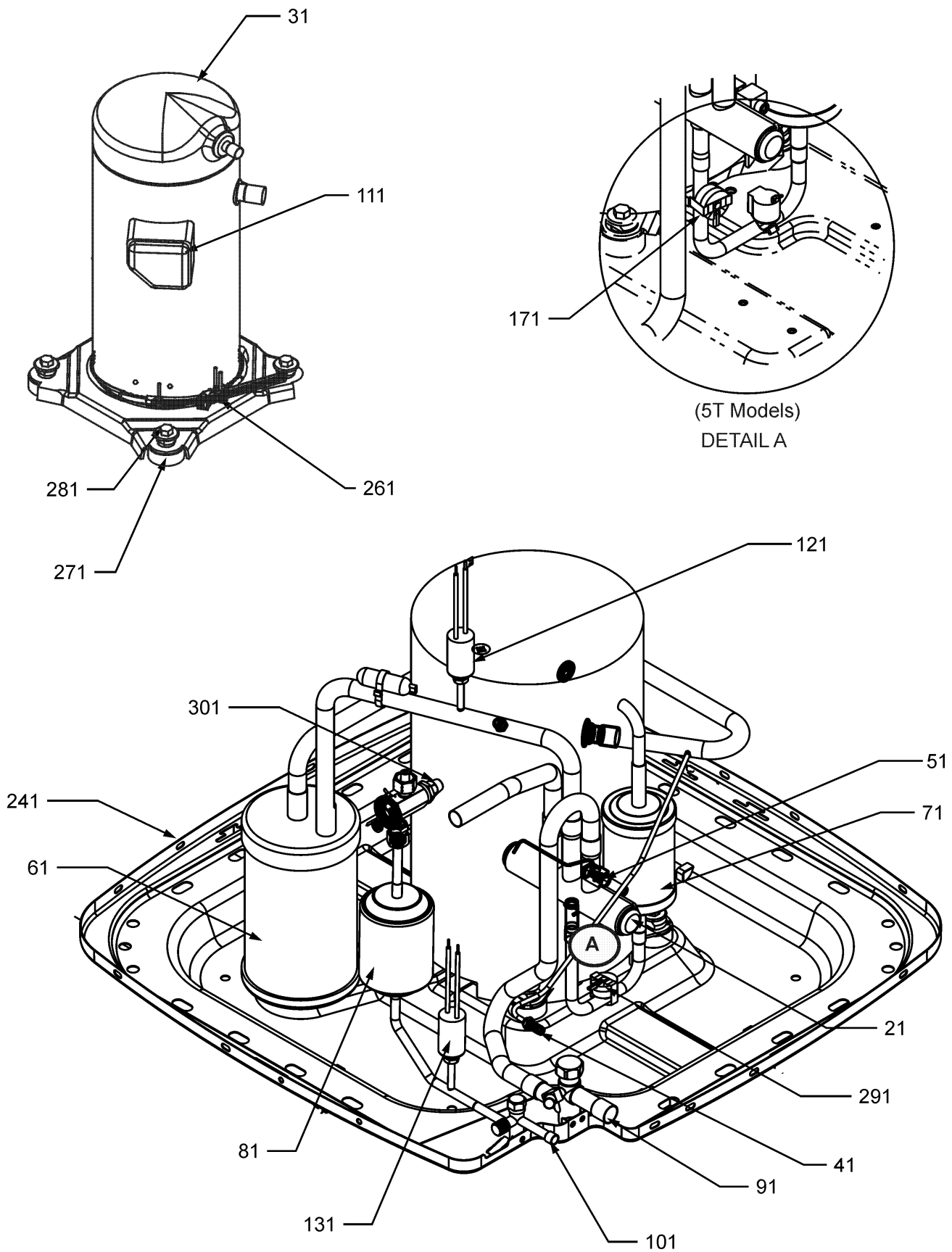
Control Cover / Control Box

Ref. Part No:	Ref. Part No:	Description:	Description:
Image 1:			
11	0121R00154PDG	PANEL, LOWER ACCESS PNT (M1, M2, M3, M9)	
11	0121R00328PDG	PANEL, LOWER ACCESS PNT (M8)	
11	0121R00625PDG	PANEL, LOWER ACCESS PNT (M4, M5, M6, M7, M10)	
11	0121R00662PDG	PANEL, LOWER ACCESS PNT (M11)	
21	0121R00053PDG	CONTROL COVER (M1, M2, M3, M4, M5, M6, M7, M8, M9, M10)	
21	0121R00054PDG	CONTROL COVER (M11)	
71	CONT1P025024V	CONTACTOR 25 AMP, 1P, 24V (M1, M2, M3, M4, M5, M6, M7, M8)	
71	CONT1P030024V	CONTACTOR 30 AMP, 1P, 24V (M9, M10)	
71	CONT2P040024V	CONTACTOR 40 AMP, 2P, 24V (M11)	
81	CAP050300440CS	CAP,5/30MFD/440V/DUAL RD (M1, M2, M3)	
81	CAP050350440CS	CAPACITOR 5/35/440V (M4, M5, M6, M7)	
81	CAP050400440CT	CAPACITOR 5/40/440V/DUAL RD (M11)	
81	CAP050450440CT	CAPACITOR 5/45/440V/DUAL RD (M8, M9, M10)	
91	4400065	CAPACITOR STRAP	
111	10135604	RELAY (M11)	
131	PCBDM133	DEFROST CONTROL BOARD	
NS	0161R00009P	NAMEPLATE	

Expanded Model Nomenclature

M1 - GSZ160181BA
M2 - GSZ160181BB
M3 - GSZ160181BC
M4 - GSZ160241BA
M5 - GSZ160241BB
M6 - GSZ160301BA
M7 - GSZ160301BB
M8 - GSZ160361BA
M9 - GSZ160421BA
M10 - GSZ160481BA
M11 - GSZ160601BA

Compressor / Tubing Assembly/Condenser



Compressor / Tubing Assembly/Condenser

Ref. Part No: No:	Description:	Ref. Part No: No:	Description:
<i>Image 1:</i>		Expanded Model Nomenclature	
21	0151R00068 REVERSING VALVE (M4, M5, M6, M7)	M1 - GSZ160181BA	
21	0151R00069 REVERSING VALVE (M1, M2, M3)	M2 - GSZ160181BB	
21	0151R00071 REVERSING VALVE (M8, M9, M10, M11)	M3 - GSZ160181BC	
31	ZP14K6EPFV130 COMP, 14,000,208/230/60/1 (M1, M2, M3)	M4 - GSZ160241BA	
31	ZP20K6EPFV130 COMP, 20,000,208/230/60/1 (M4, M5)	M5 - GSZ160241BB	
31	ZP29K6EPFV130 COMP, 29,000,208/230/60/1 (M8)	M6 - GSZ160301BA	
31	ZP34K6EPFV130 COMP, 46500, 208/230/60/1 (M9)	M7 - GSZ160301BB	
31	ZP25K6EPFV130 COMP,34200,208/230/60/1 (M6, M7)	M8 - GSZ160361BA	
31	ZP39K5EPFV130 COMPRESSOR 39000, 208/230/60/1 (M10)	M9 - GSZ160421BA	
31	ZPS49K5EPFV130 COMPRESSOR 49100, 208/230/60/1 (M11)	M10 - GSZ160481BA	
41	0163M00175 CAP WITH O-RING	M11 - GSZ160601BA	
51	0130M00083 REVERSING VALVE HARNESS		
61	0151L00010 ACCUMULATOR (M11)		
61	0151R00004P ACCUMULATOR .750 (M1, M2, M3)		
61	B1226207 ACCUMULATOR .875 (M4, M5, M6, M7, M8, M9, M10)		
71	0162R00007 MUFFLER 1/2 X 1/2		
81	20485201 BI-FLOW FILTER DRIER		
91	0151R00079 BASE VALVE 3/4" (M1, M2, M3, M4, M5, M6, M7)		
91	0151R00080 BASE VALVE 7/8" (M8, M9, M10, M11)		
101	0151R00078 BASE VALVE 3/8"		
111	0159R00001P COMPRESSOR SCROLL HARNESS (M1, M2, M3, M9)		
111	0159R00002P COMPRESSOR SCROLL HARNESS (M4, M5, M6, M7, M8, M10)		
111	0159R00009 COMPRESSOR SCROLL HARNESS (M11)		
121	0130M00088 CUT-OUT SWITCH, LOW PRESSURE		
131	0130M00089 CUT-OUT SWITCH, HIGH PRESSURE		
171	11046711 THERMOSTAT DISC (M11)		
241	0121R00006PDG BASE PAN 29" (M1, M2, M3, M9)		
241	0121R00007PDG BASE PAN 35" (M4, M5, M6, M7, M8, M10, M11)		
261	0163R00006 HEATER, CRANKCASE 230V, 40W (M1, M2, M3, M4, M5, M6, M7, M8)		
261	0163R00007 HEATER, CRANKCASE 230V, 40W (M9, M10, M11)		
271	B1339533 COMPRESSOR GROMMET (QTY 4)		
281	M0221641 TF SHOULDER SCREW (QTY 4)		
291	0130M00106 DISC THERMOSTAT(CRNKCS HTR SW)		
301	0151R00121 VALVE, TXV R410A (M1, M2, M3)		
301	0151R00122 VALVE, TXV R-410A (M4, M5)		
301	0151R00123 VALVE, TXV R-410A (M8)		
301	0151R00124 VALVE, TXV R-410A (M6, M7)		
301	0151R00125 VALVE, TXV R-410A (M9)		
301	0151R00126 VALVE, TXV R-410A (M10)		
301	0151R00127 VALVE, TXV R-410A (M11)		
NS	20468101 COMPRESSOR SOLENOID CABLE (M11)		
NS	0130M00083 REVERSING VALVE HARNESS		
NS	B1225022 SOLENOID COIL		

Cabinet Top / Side Panels

IMAGE 1

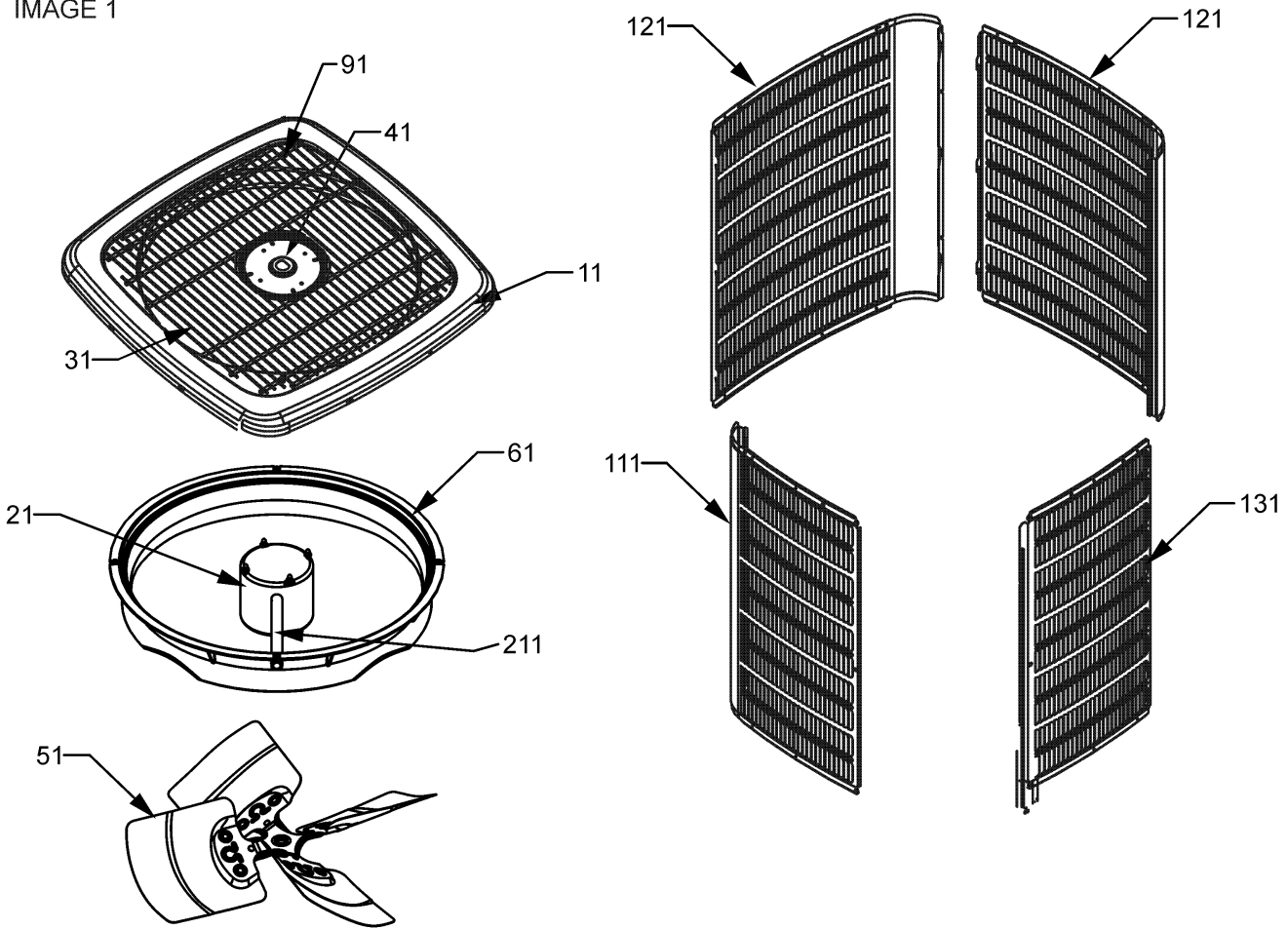
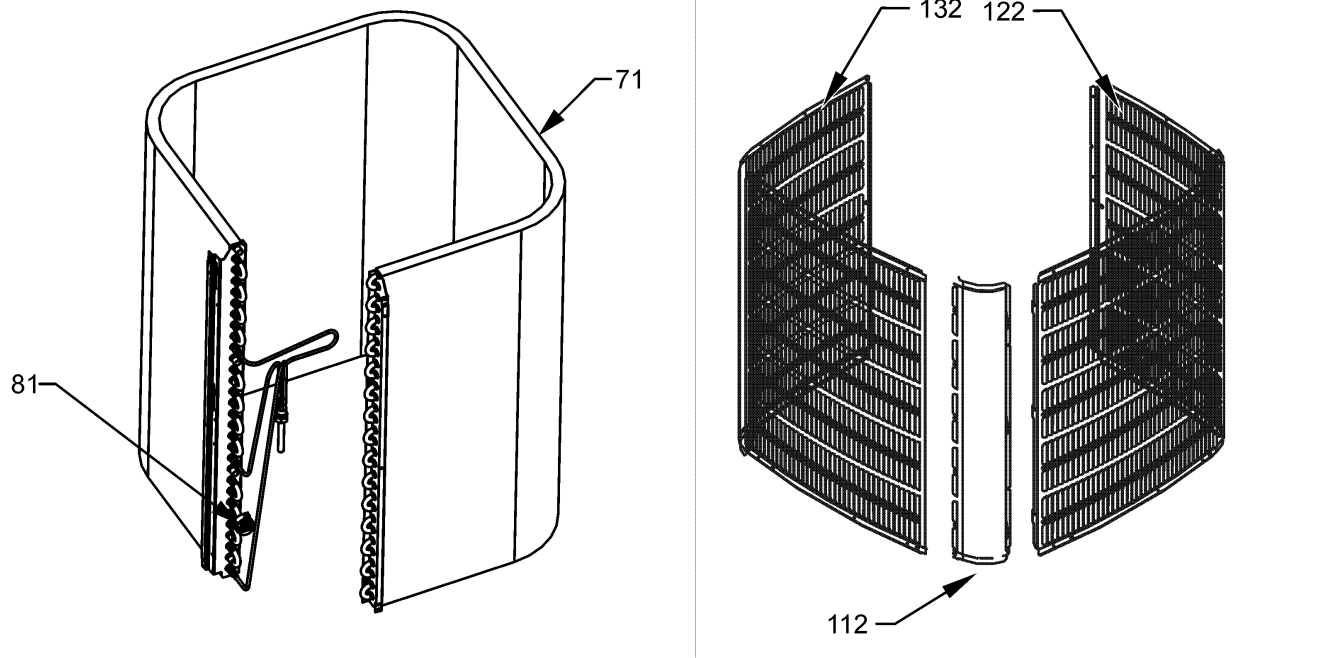


IMAGE 2



Cabinet Top / Side Panels

Ref. Part No:	Description:	Ref. Part No:	Description:
Image 1:		Expanded Model Nomenclature	
11	0121R00576PDG TOP PANEL 29" (M1, M2, M3, M9)	M1	- GSZ160181BA
11	0121R00577PDG TOP PANEL 35" (M4, M5, M6, M7, M8, M10, M11)	M2	- GSZ160181BB
21	0131M00018P COND MOTOR 1/4 HP, 1 SP, 6 PL (M9)	M3	- GSZ160181BC
21	0131M00061 COND MOTOR 1/4 HP, 1 SP, 8 PL (M4, M6, M8, M10)	M4	- GSZ160241BA
21	0131M00060 COND MOTOR 1/6 HP, 1 SP, 8 PL (M1, M2)	M5	- GSZ160241BB
21	0131M00038 COND MOTOR 1/6 HP, 2 SP, 8 PL (M11)	M6	- GSZ160301BA
21	0131M00754 COND MOTOR, PSC, 1/6HP, 8PL (M5, M7)	M7	- GSZ160301BB
21	0131M00753 MOTOR, 1/6HP, 1SP, 8PL, AL (M3)	M8	- GSZ160361BA
31	0152R00015 GRILLE, WIRE 29" TOP (M1, M2, M3, M9)	M9	- GSZ160421BA
31	0152R00016 GRILLE, WIRE 35" TOP (M4, M5, M6, M7, M8, M10, M11)	M10	- GSZ160481BA
41	M0280801 HEX NUT (QTY 4)	M11	- GSZ160601BA
51	B1086750 FAN BLADE 22", 3 BLADE, 24° (M9)		
51	10625738 FAN BLADE 26" ALUM CCW (M4, M5, M6, M7, M8, M10, M11)		
51	B1086764 FAN BLADE TYPE 2 (M1, M2, M3)		
61	0161R00048 MOLDED RING-VENTURI 22" (M1, M2, M3, M9)		
61	0161R00049 MOLDED RING-VENTURI 26" (M4, M5, M6, M7, M8, M10, M11)		
71	0201R00628 COIL TUBING ASSY (M1, M2, M3)		
71	0201R00631 COIL TUBING ASSY (M8)		
71	0201R00632 COIL TUBING ASSY (M9)		
71	0201R00633 COIL TUBING ASSY (M10)		
71	0201R00634 COIL TUBING ASSY (M11)		
71	0201R00664 COIL TUBING ASSY (M4, M5, M6, M7)		
81	0130M00250 CONTROL, DEFROST		
91	0163M00003P SCREW #10 X 1/2, A, SLOT, SR, BLACK (QTY 4)		
111	0121R00592PDGB PANEL 1, BENT LOUVER 35_34.64 (M4, M5, M6, M7, M10)		
111	0121R00593PDGB PANEL 1, BENT LOUVER 35_39.84 (M8, M11)		
121	0121R00594PDGB PANEL 2, BENT LOUVER 35_34.64 (M4, M5, M6, M7, M10)		
121	0121R00595PDGB PANEL 2, BENT LOUVER 35_39.84 (M8, M11)		
131	0121R00596PDG PANEL 3, LOUVER 35_34.64 PNT (M4, M5, M6, M7, M10)		
131	0121R00597PDG PANEL 3, LOUVER 35_39.84 PNT (M8, M11)		
211	0161R00002P CONDUIT (M1, M2, M3, M9)		
211	0161R00004P CONDUIT (M4, M5, M6, M7, M8, M10, M11)		
NS	0161R00024 GRILL CAP		
NS	0163M00004 SCREW #10X3/4", BLACK (QTY 4)		
Image 2:			
112	0121R00355PDG LOUVER POST, PDG 34.88 (M1, M2, M3, M9)		
122	0121R00587PDGRS LOUVER PANEL, 29" CHASSIS, PNT (M1, M2, M3, M9)		
132	0121R00587PDGLS LOUVER PANEL, 29" CHASSIS, PNT (M1, M2, M3, M9)		