

**WALL-THROUGH VENTILATION FAN**



**Tools required**



Pencil



Drill



Screwdriver



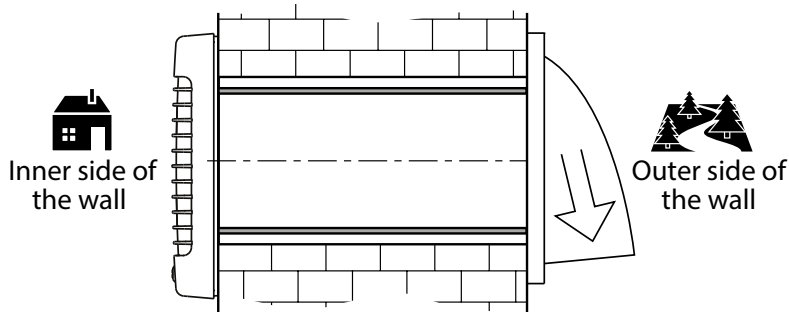
Dowel



Screws

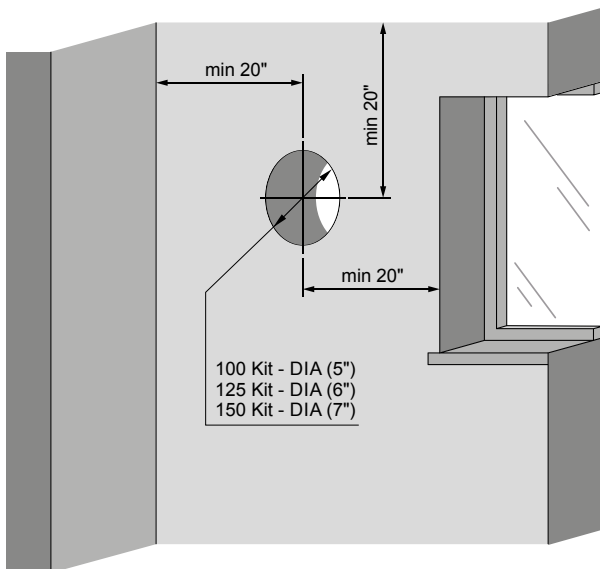
**MOUNTING**

1. Typical installation

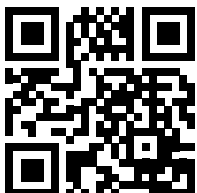
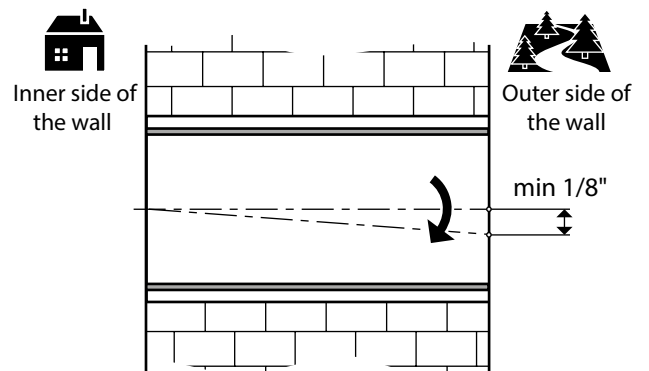


**Air duct installation**

2. Prepare a round core hole in the outer wall of the building. The core hole size and the minimum recommended distance to a mounting surface, for example, a wall, ceiling or a window are shown in the Figure.

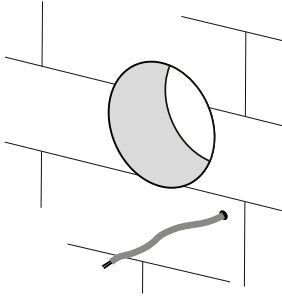


3. Install the air duct with the minimum slope 1/8" downwards to ensure condensate drainage. Fill the gap between the air duct and the wall with mounting foam.

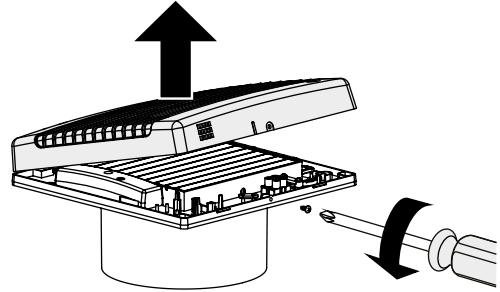


### Installation of MA series wall-through ventilation fan

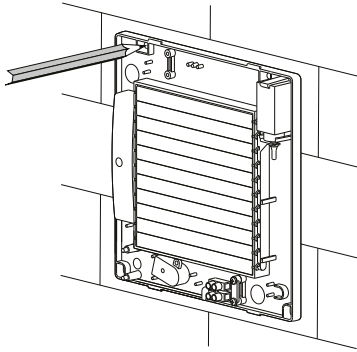
4. Route all the required cables. If the fan is equipped with a power cable and a plug, make sure an electric outlet is located not more than 9 ft from the fan.



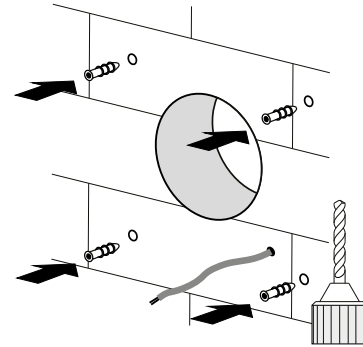
5. Remove the front panel cover to enable access to the fastening holes.



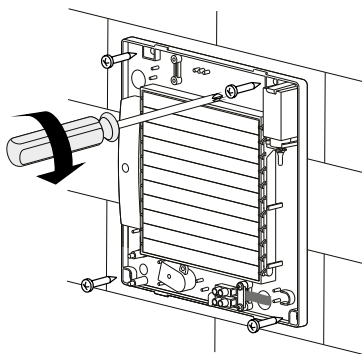
6. Mark the openings for fastening holes of the front panel. Use the back part of the front panel for marking convenience.



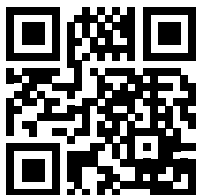
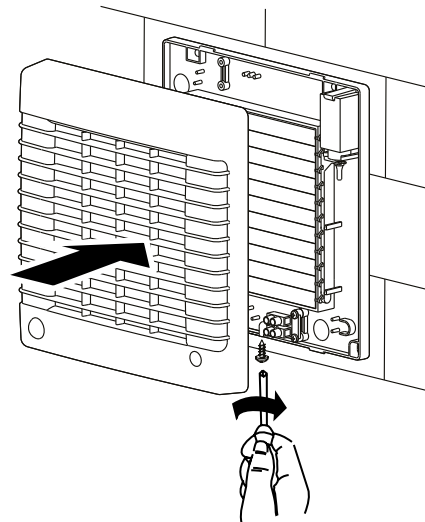
7. Drill the holes for the supplied expansion anchors. Insert the expansion anchors in the holes.



8. Fix the back part of the front panel to the wall using the supplied screws. Wire the fan according to the wiring diagram in Fig. 20 or 22.

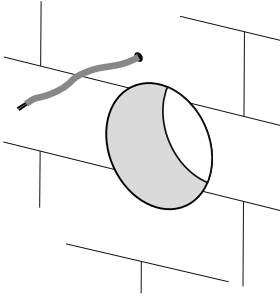


9. Connect the front panel cover with the back part and fix these with a screw at the bottom.

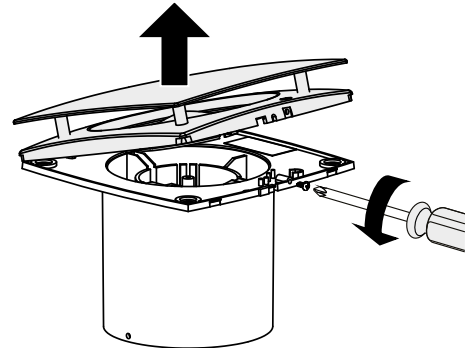


### Installation of LD series wall-through ventilation fan

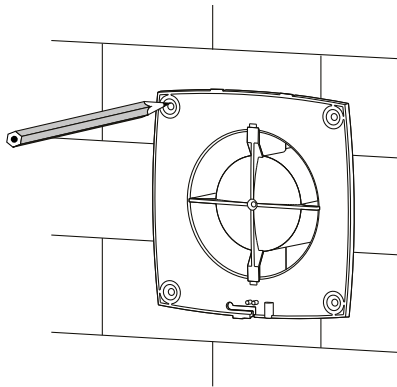
10. Route all the required cables. If the fan is equipped with a power cable and a plug, make sure an electric outlet is located not more than 9 ft from the fan.



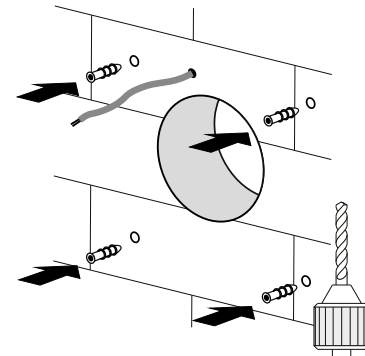
11. Remove the front panel cover to enable access to the fastening holes.



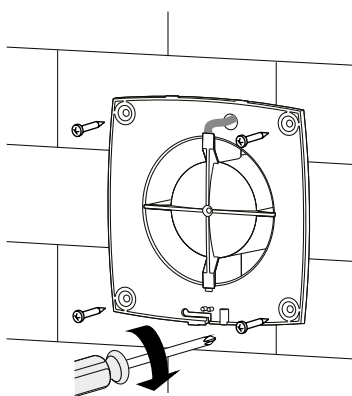
12. Mark the openings for fastening holes of the front panel. Use the back part of the front panel for marking convenience.



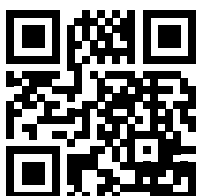
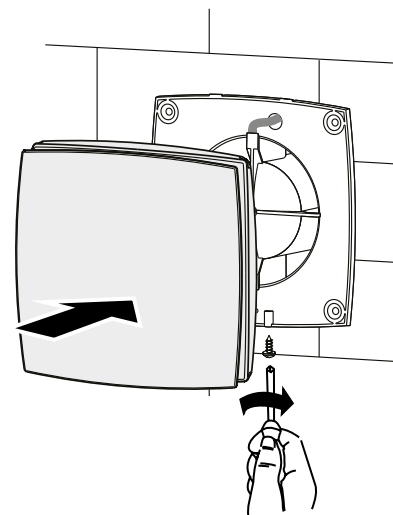
13. Drill the holes for the supplied expansion anchors. Insert the expansion anchors in the holes.



14. Fix the back part of the front panel to the wall using the applied screws. Wire the fan according to the wiring diagram in Fig. 21 or 23.

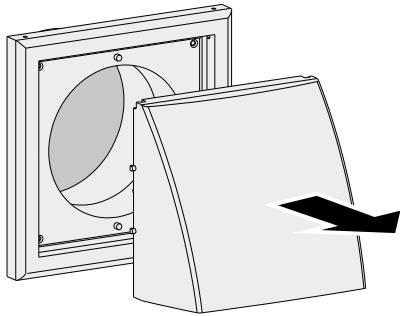


15. Connect the front panel cover with the back part and fix these with a screw at the bottom.

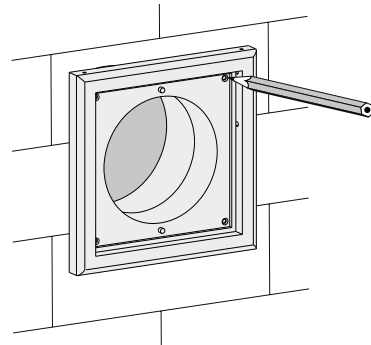


### Installation of outer hood

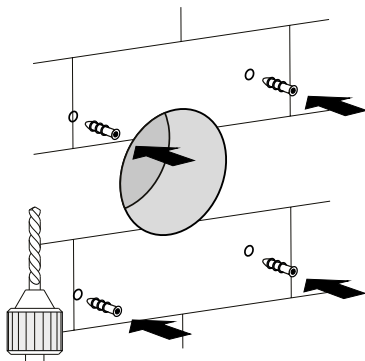
16. Disassemble the ventilation hood to ensure access to the fastening holes. Disconnect and remove the front part of the ventilation hood.



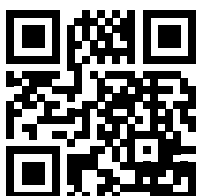
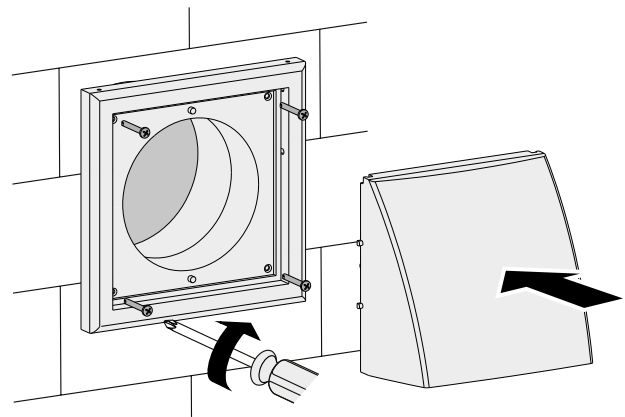
17. Mark the openings for fastening holes of the ventilation hood. Use the back part of the hood for marking convenience.



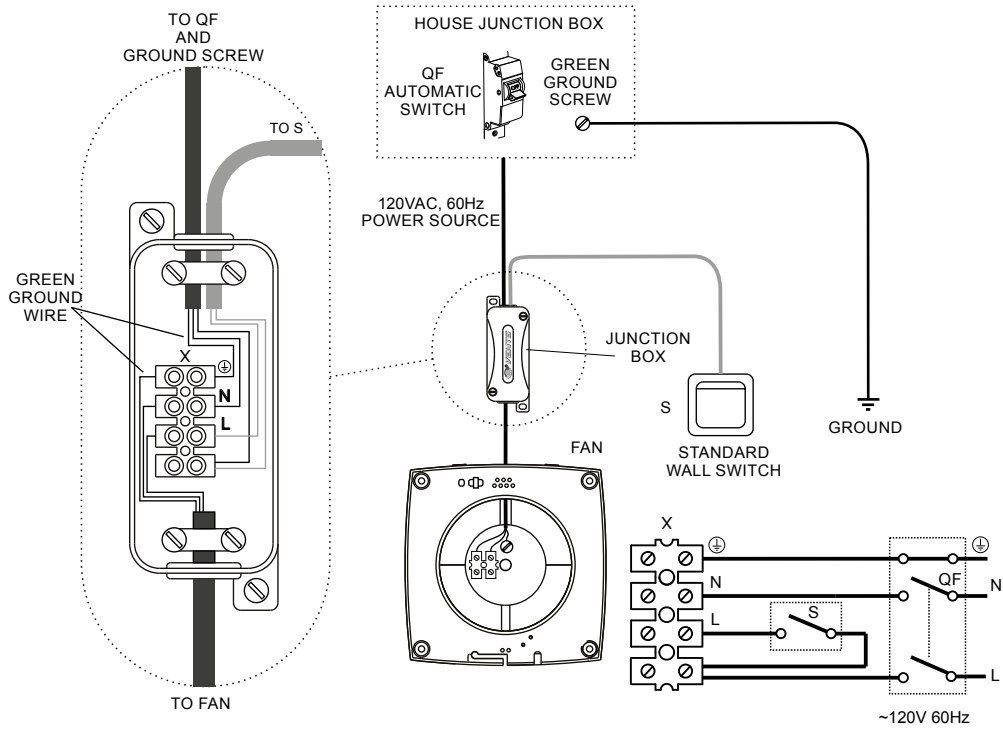
18. Drill the holes for the supplied expansion anchors. Insert the expansion anchors in the holes.



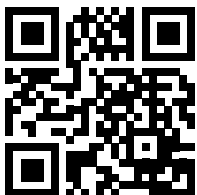
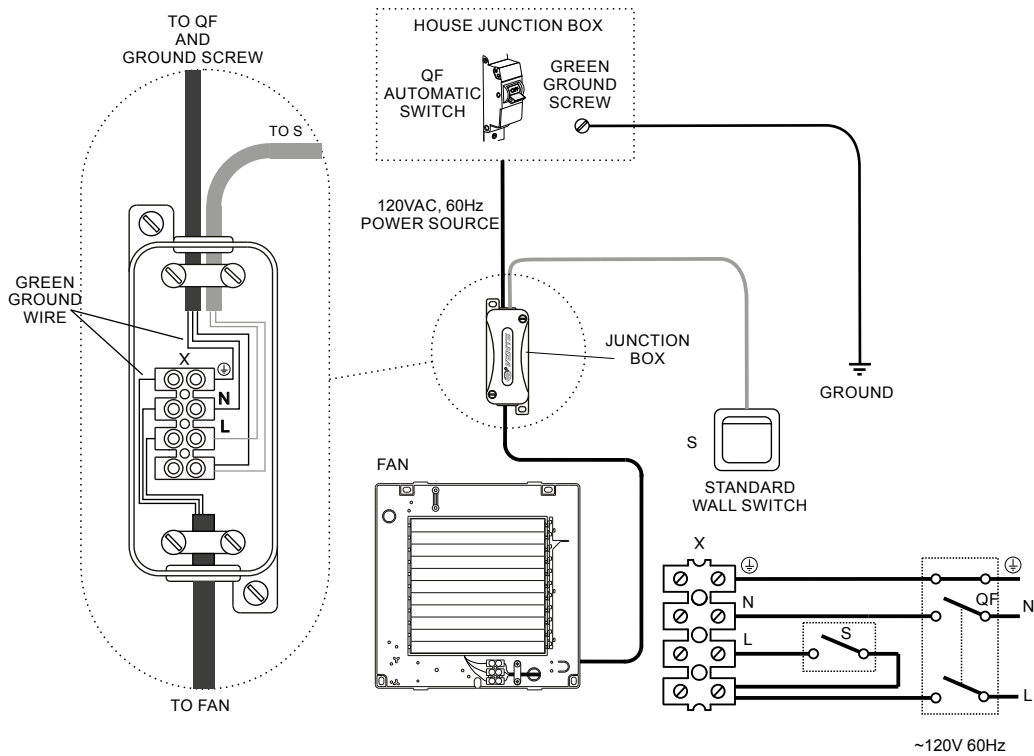
19. Connect the ventilation hood parts and click those to press. Fix the back part of the ventilation hood to the wall using the supplied screws.



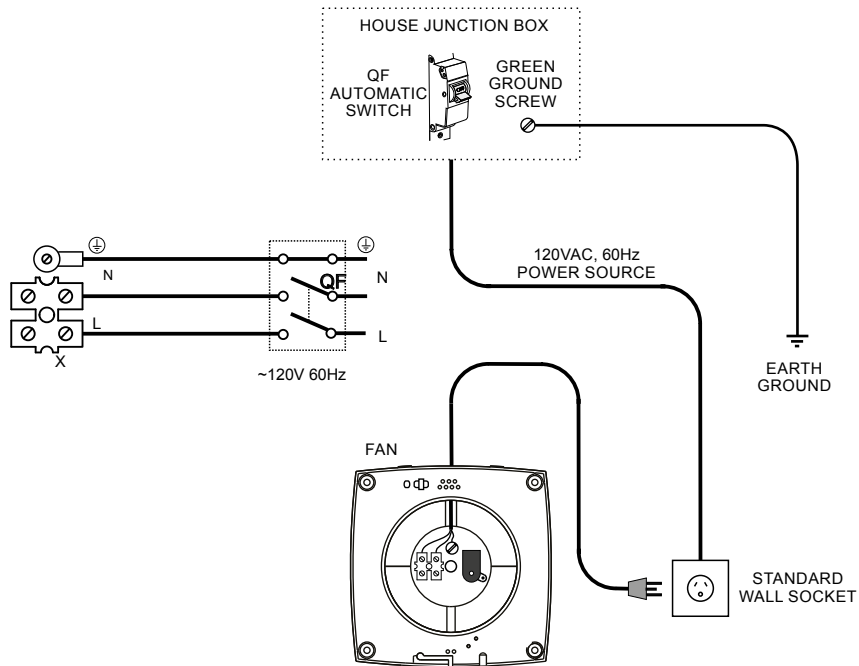
### Electrical connection LD series standard wall switch



### Electrical connection MA series standard wall switch



### Electrical Connection of LD series wall-through ventilation fan



### Electrical Connection of MA series wall-through ventilation fan

