

PRODUCT SPECIFICATIONS

TECHNICAL DATA



DESCRIPTION

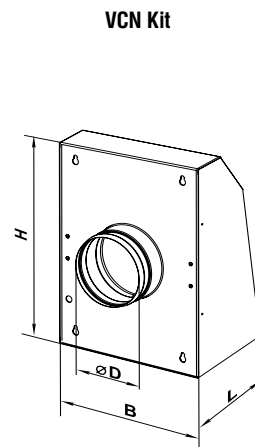
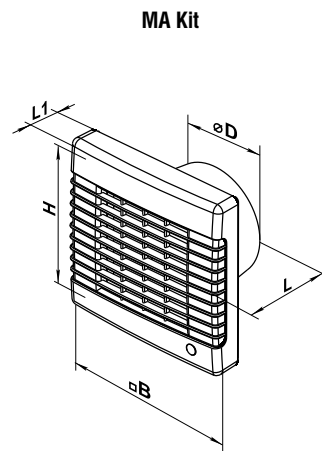
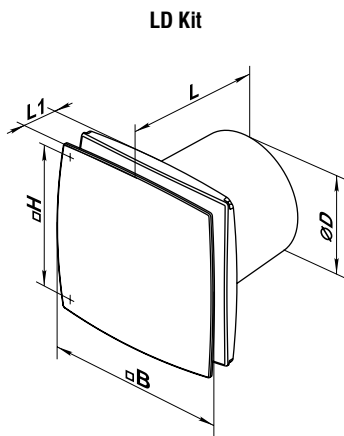
Garage ventilation solutions

- removes fumes and vehicle exhaust
- high efficient, polluted air extraction
- quiet operation
- continuous operation
- cost-effective way of mechanical ventilation
- suited for simple retrofit or new construction installations
- easy to install
- maintenance-free

LD Kit is Recommended for garages up to 100 sq.feet (airflow up to 109 CFM)

MA Kit is Recommended for garages up to 160 sq.feet (airflow up to 176 CFM)

VCN Kit is Recommended for garages up to 280 sq.feet (airflow up to 300 CFM). The powerful centrifugal fan is installed on the external wall and exhausts polluted air outside.



PRODUCT SPECIFICATIONS

TECHNICAL DATA

PERFORMANCE

	Duct dia	Volts	CFM	Sones	RPM	Max Watts
LD Kit 125	5"	120 V/ 60 Hz	79	2.16	2400	15.4
LD Kit 150	6"	120 V/ 60 Hz	109	3.00	2337	32.9

	Duct dia	Volts	CFM	Sones	RPM	Max Watts
MA Kit 125	5"	120 V/ 60 Hz	102	2.6	2150	19.2
MA Kit 150	6"	120 V/ 60 Hz	176	2.7	2130	35.2

	Duct dia	Volts	CFM	Sones	RPM	Max Watts
VCN Kit 100	4"	120 V/ 60 Hz	238	7.20	3100	108
VCN Kit 125	5"	120 V/ 60 Hz	248	7.10	2950	108
VCN Kit 150	6"	120 V/ 60 Hz	302	7.84	2250	109
VCN Kit 200	8"	120 V/ 60 Hz	306	8.10	2300	106

MODEL	QUANTITY	COMMENTS	PROJECT
			location:
			architect:
			engineer:
			contractor:
			submitted by: