

Ductfree Mini-Split Systems
48,000 - 56,000 BTUH



GREE+

SUPER

Replacement Parts Catalog

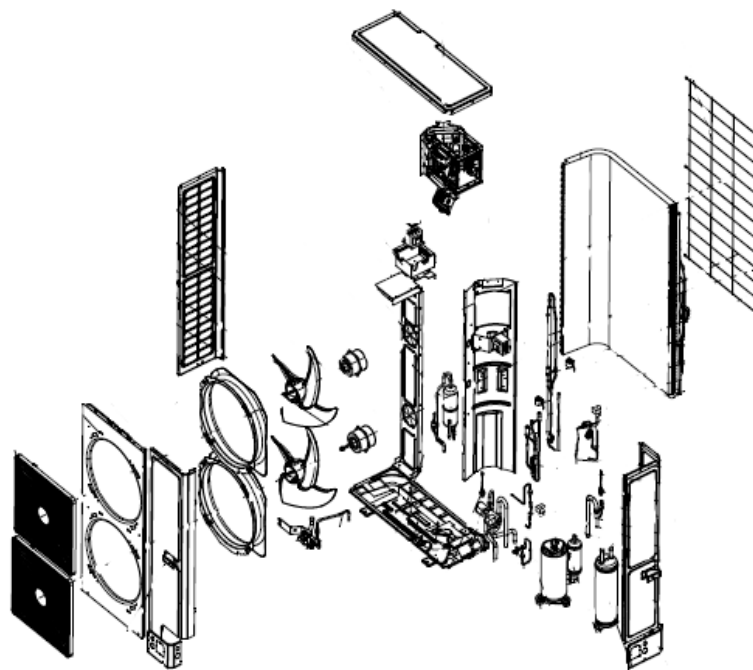
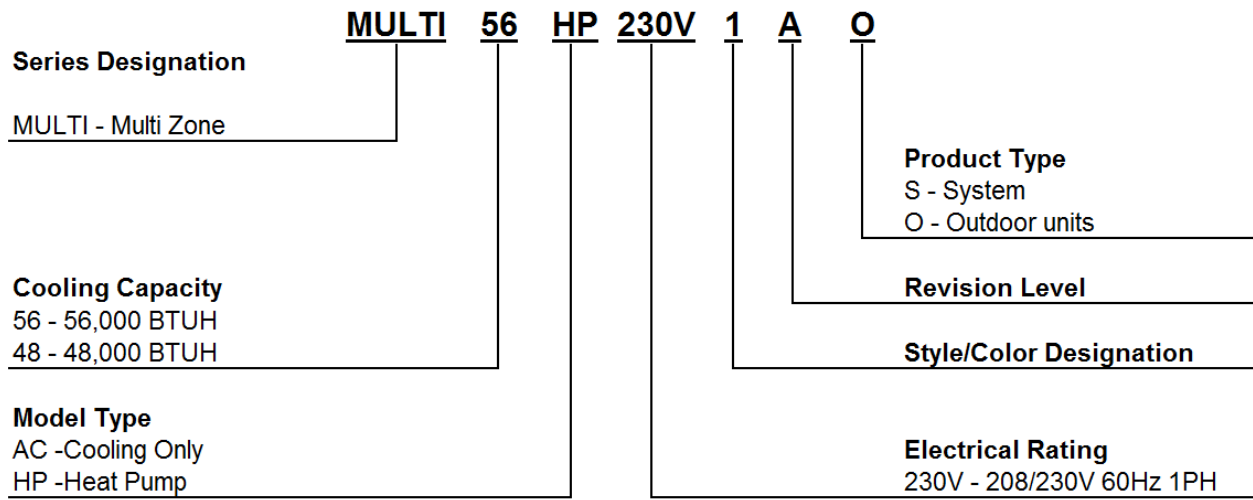


Table of Contents

Model Number	Description	Page
Nomenclature	Part Number Nomenclature Chart	2
MULTI48HP230V1AO	Heat Pump 18,000 BTUH 230v Outdoor Unit	3-5
MULTI56HP230V1AO	Heat Pump 24,000 BTUH 230v Outdoor Unit	6-8
RFX12A	Refrigerant Branching Unit (BU) 2-Port	9-10
RFX13A	Refrigerant Branching Unit (BU) 3-Port	11-12
PIPING ADAPTERS	Piping Adapters	13

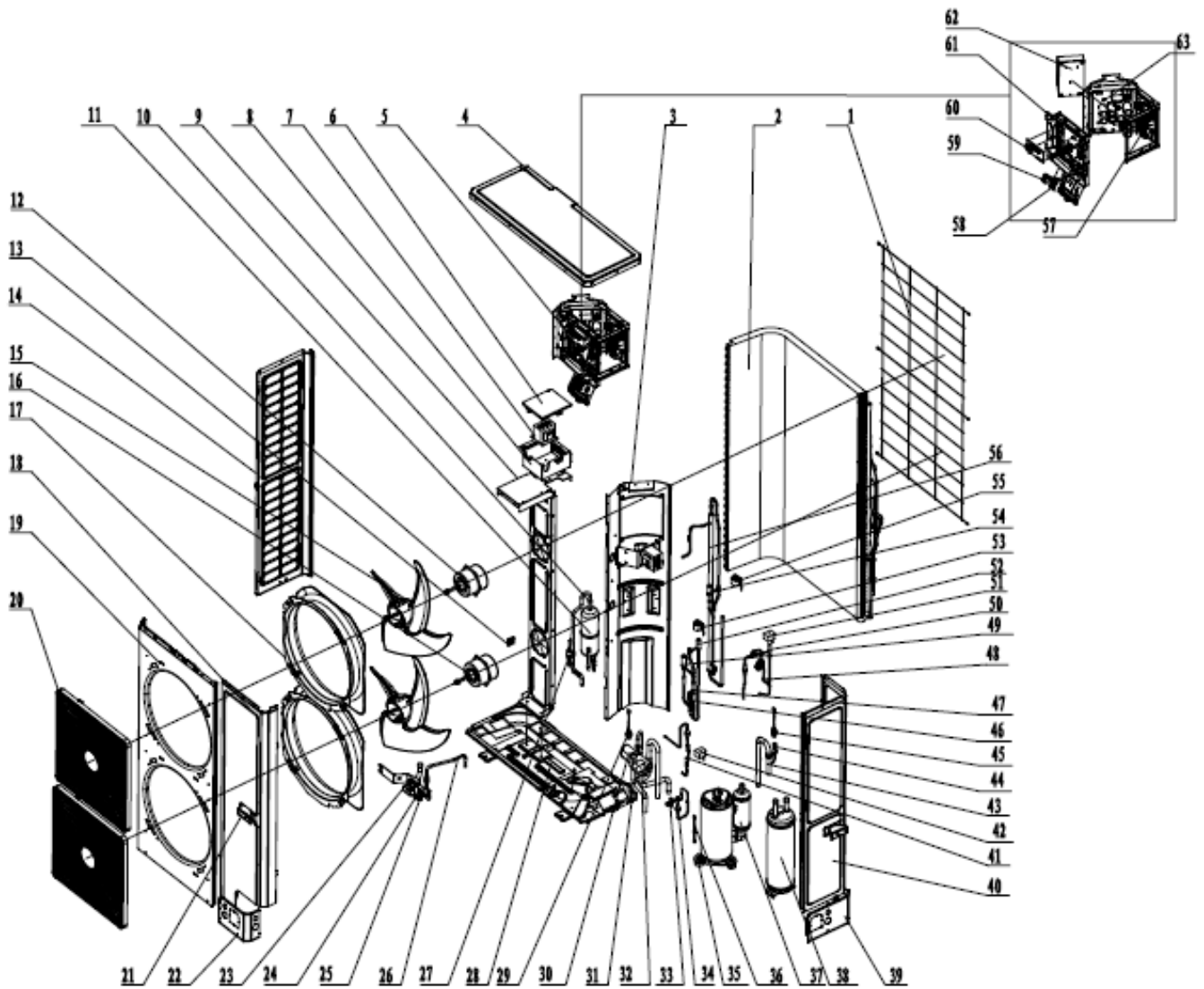
Product Catalog Number-Nomenclature

Example: **MULTI56HP230V1AO**



MULTI48HP230V1AO

48,000 BTUH 230v Outdoor Unit



MULTI48HP230V1AO

48,000 BTUH 230v Outdoor Unit

NO.	Part Code	Part Description	Qty
1	01574100004	Rear Grille	1
2	01124100102	Condenser Coil Assy	1
3	01244100011	Clapboard Sub-Assy	1
4	01264100019	Coping Sub-Assy	1
5	01395200307	Electric Box Assy	1
6	01424100030	Electric Box Cover	1
7	43138004	Reactor/PFC Inductance	1
8	01394100064	Inductance Sub-Assy	1
9	01804100178	Motor Support Sub-Assy	1
10	04534100021	Discharge Tube Sub-Assy	1
11	07424105	Oil Separator	1
12	15704115	Fan Motor	1
13	39008252G	Temperature Sensor Assembly**	1
14	01314100013P	Left Side Plate	1
15	10434100003	Axial Flow Fan	2
16	1570411501	Fan Motor	1
17	10474100001	Diversion Circle	2
18	01314100012P	Front Side Plate	1
19	01514100002P	Cabinet	1
20	01574100009	Front Grille	2
21	26904100016	Handle	2
22	01344100002P	Front Connection Board	1
23	07334100016	5/8-in Gas/Suction Valve	1
24	07330000002	3/8-in Liquid Line Valve	1
25	07212001	Strainer	1
26	07304100011	Cut off Valve Sub-Assy	1
27	4602000902	High Pressure Protect Switch	1
28	01194100046	Chassis Sub-Assy	1
29	322101032	Sensor (High Pressure)	1
30	43000338	4-Way Valve	1
31	04045200066	4-Way Valve Assy	1
32	4300040029	4-Way Valve Solenoid Coil	1
33	06135201	Nozzle for Adding Freon	1
34	07210022	Strainer A	1
35	76710247	Compressor Grommet	3
36	7651000413	Base Pan Heater (Chassis)	1
37	0020410000101	Compressor	1
Not Shown	7651521216	Compressor Crankcase Heater	1
38	07424100014	Gas-Liquid Separator	1
39	01344100003P	Right Connection Board	1

** Temperature Sensor Assembly contains Discharge, Coil, & Ambient sensors.

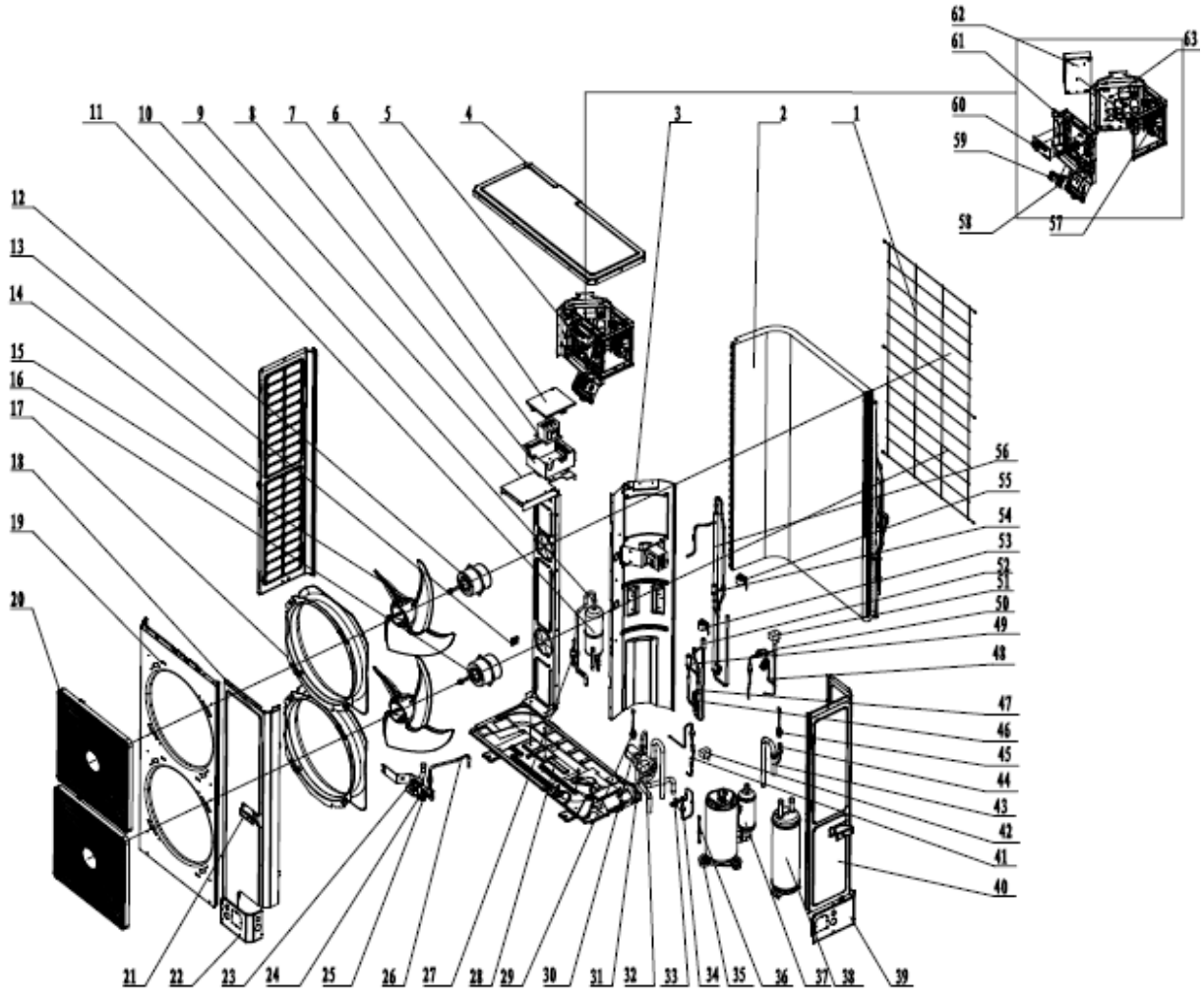
MULTI48HP230V1AO (Cont.) 48,000 BTUH 230v Outdoor Unit

NO.	Part Code	Part Description	Qty
40	01314100014P	Rear Side Plate	1
41	07334100018	Gas Bypass Valve Sub-Assy	1
42	4304000405	Magnet Coil	1
43	04574100011	Inhalation Tube Sub-Assy	1
44	06120012	Nozzle for Adding Freon	1
45	322101002	Sensing Device	1
46	43044100022	Electric Expansion Valve Sub-Assy	1
47	07130101	One Way Valve	1
48	04004100011	Capillary Sub-Assy (Oil Returning)	1
49	07334100002	Discharge Charge Valve	1
50	43000054	Electromagnetic Valve	1
51	4304000415	Magnet Coil	1
52	07334412	Electronic Expansion Valve A	1
53	4304413208	Electronic Expansion Valve Solenoid A	1
54	43042800005	Electronic Expansion Valve B	1
55	4304413205	Electronic Expansion Valve Solenoid B	1
56	04534100044	Over-Cooling Pipe Sub-Assy	1
57	30228000016	Filter Board	1
58	420111451	Terminal Board	1
59	42011154	Terminal Board	1
60	30118000003	Testing Board	1
61	30226000049	Main Control Board	1
62	49018000010	Heat Sink/Radiator	1
63	30118000004	Drive Board	1

** Temperature Sensor Assembly contains Discharge, Coil, & Ambient sensors.

MULTI56HP230V1AO (Cont.)

56,000 BTUH 230v Outdoor Unit



MULTI56HP230V1AO

56,000 BTUH 230v Outdoor Unit

NO.	Part Code	Part Description	Qty
1	01574100004	Rear Grille	1
2	01124100102	Condenser Coil Assy	1
3	01244100011	Clapboard Sub-Assy	1
4	01264100019	Coping Sub-Assy	1
5	01395200308	Electric Box Assy	1
6	01424100030	Electric Box Cover	1
7	43138004	Reactor/PFC Inductance	1
8	01394100064	Inductance Sub-Assy	1
9	01804100178	Motor Support Sub-Assy	1
10	04534100021	Discharge Tube Sub-Assy	1
11	07424105	Oil Separator	1
12	15704115	Fan Motor	1
13	39008252G	Temperature Sensor Assembly**	1
14	01314100013P	Left Side Plate	1
15	10434100003	Axial Flow Fan	2
16	1570411501	Fan Motor	1
17	10474100001	Diversion Circle	2
18	01314100012P	Front Side Plate	1
19	01514100002P	Cabinet	1
20	01574100009	Front Grille	2
21	26904100016	Handle	2
22	01344100002P	Front Connection Board	1
23	07334100016	5/8-in Gas/Suction Valve	1
24	07330000002	3/8-in Liquid Line Valve	1
25	07212001	Strainer	1
26	07304100011	Cut off Valve Sub-Assy	1
27	4602000902	High Pressure Protect Switch	1
28	01194100045P	Chassis Sub-Assy	1
29	322101032	Sensor (High Pressure)	1
30	43000338	4-Way Valve	1
31	04045200066	4-Way Valve Assy	1
32	4300040029	4-Way Valve Solenoid Coil	1
33	06135201	Nozzle for Adding Freon	1
34	07210022	Strainer A	1
Not Shown	7651000413	Base Pan Heater (Chassis)	1
35	76710247	Compressor Grommet	3
36	7651521216	Compressor Crankcase Heater	1
37	0020410000101	Compressor	1
38	07424100014	Gas-Liquid Separator	1
39	01344100003P	Right Connection Board	1

** Temperature Sensor Assembly contains Discharge, Coil, & Ambient sensors.

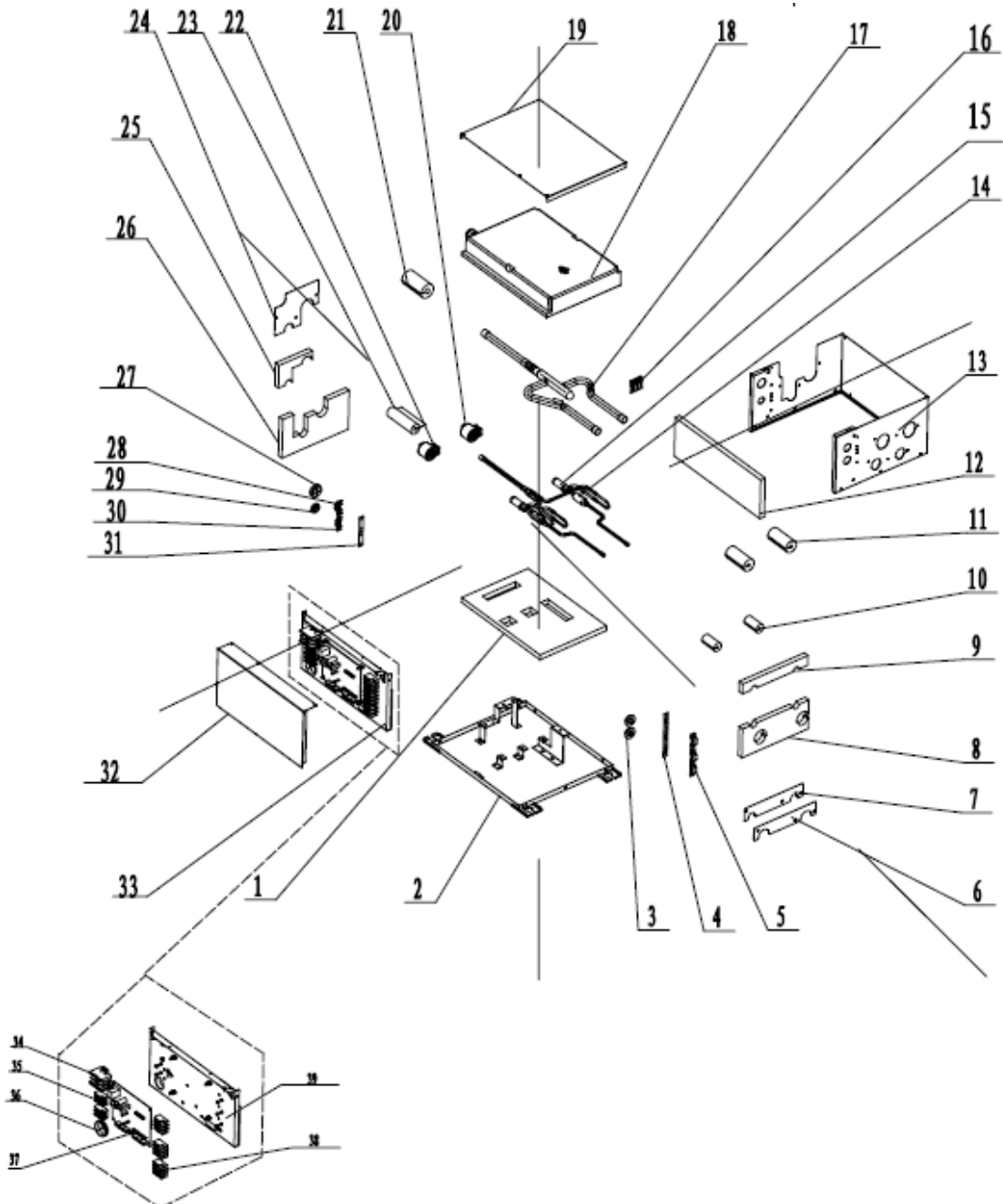
MULTI56HP230V1AO (Cont.) 56,000 BTUH 230v Outdoor Unit

NO.	Part Code	Part Description	Qty
40	01314100014P	Rear Side Plate	1
41	07334100018	Gas Bypass Valve Sub-Assy	1
42	4304000405	Magnet Coil	1
43	04574100011	Inhalation Tube Sub-Assy	1
44	06120012	Nozzle for Adding Freon	1
45	322101002	Sensing Device	1
46	43044100022	Electric Expansion Valve Sub-Assy	1
47	07130101	One Way Valve	1
48	04004100011	Capillary Sub-Assy(Oil Returning)	1
49	07334100002	Discharge Charge Valve	1
50	43000054	Electromagnetic Valve	1
51	4304000415	Magnet Coil	1
52	07334412	Electronic Expansion Valve A	1
53	4304413208	Electronic Expansion Valve Solenoid A	1
54	43042800005	Electronic Expansion Valve B	1
55	4304413205	Electronic Expansion Valve Solenoid B	1
56	04534100044	Over-Cooling Pipe Sub-Assy	1
57	30228000016	Filter Board	1
58	420111451	Terminal Board	1
59	42011154	Terminal Board	1
60	30118000003	Testing Board	1
61	30226000050	Main Control Board	1
62	49018000010	Heat Sink/Radiator	1
63	30118000004	Drive Board	1

** Temperature Sensor Assembly contains Discharge, Coil, & Ambient sensors.

RFX12A

Refrigerant Branching Unit (BU) 2-Port



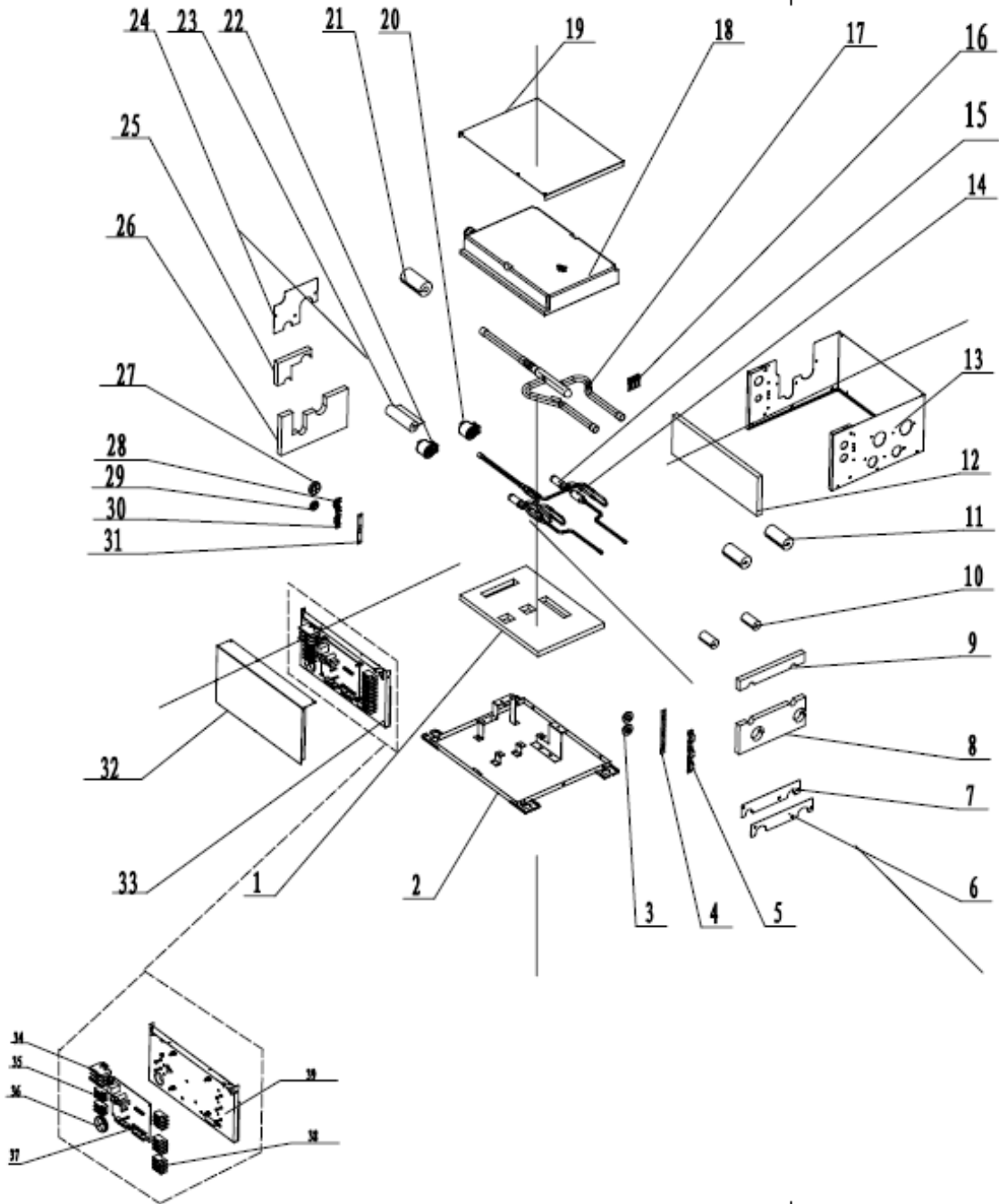
RFX12A

Refrigerant Branching Unit (BU) 2-Port

NO.	Part Code	Part Description	Qty
1	12204441	Foam	1
2	01284100097P	Base Frame Sub-Assy	1
3	76513106	Cable Cross Loop	2
4	NA	Insulation Gasket	1
5	71010103	Wire Clamp	2
6	NA	Retaining Plate 2	1
7	NA	Retaining Plate 1	1
8	12204100127	Right Base Frame Foam	1
9	12204100128	Right Base Frame Foam	1
10	75094100008	Heat Insulation Pipe	2
11	75094100010	Heat Preserving Bushing	2
12	12204100077	Foam	2
13	01314100060P	Rear Side Plate	1
14	04224100163H	Liquid Branch Pipe Assy	1
15	07334100033	Electronic Expansion Valve Sub-Assy	1
16	3900825301G	Tempature Sensor Sub-assy	1
17	04574100032H	Gas Branch Pipe Assy	1
18	12504100001	Foam	1
19	01264715P	Top Cover	1
20	4304413216	Electric Expand Valve Fitting	1
21	75095201	Heat Preserving Bushing	1
22	4304413215	Electric Expand Valve Fitting	1
23	7509410000601	Heat Preserving Bushing	1
24	01844100008P	Retaining Plate 3	1
25	12204437	Foam	1
26	12204440	Foam	1
27	76510021	Cable Cross Loop	1
28	71010103	Wire Clamp	1
29	76510021	Cable Cross Loop	1
30	71010103	Wire Clamp	1
31	70410523	Insulation Gasket	1
32	01424731P	Electric Box Cover	1
33	01324100033	Electric Component Mounting Plate Assy	1
34	420111451	Terminal Board	1
35	42011154	Terminal Board	2
36	76510021	Cable Cross Loop	1
37	30276000002	Pin Board	1
38	420111041	Terminal Board	2
39	01324100046	Electric Component Mounting Plate Sub-Assy	1

RFX13A

Refrigerant Branching Unit (BU) 3-Port



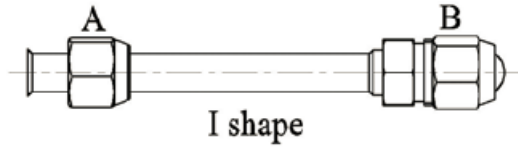
RFX13A

Refrigerant Branching Unit (BU) 3-Port

NO.	Part Code	Part Description	Qty
1	12204441	Foam	1
2	01284100097P	Base Frame Sub-Assy	1
3	76513106	Cable Cross Loop	3
4	70410524	Insulation Gasket	1
5	71010103	Wire Clamp	3
6	01844100007P	Mounted Plate 2	1
7	01844100006P	Mounted Plate 1	1
8	12204100125	Foam	1
9	12204100126	Foam	1
10	75094100008	Heat Insulation Pipe	3
11	75094100010	Heat Preserving Bushing	3
12	12204100077	Foam	2
13	01314100059P	Rear Side Plate	1
14	04224100161H	Divergence Liquid Pipe Assy	1
15	07334100032	Electronic Expansion Valve Sub-Assy	3
16	39008253G	Temperature Sensor Sub-Assy	1
17	04574100031H	Divergence Gas Pipe Assy	1
18	12504100001	Foam	1
19	01264715P	Top Cover	1
20	4304413217	Electric Expand Valve Fitting	1
21	75095201	Heat Preserving Bushing	1
22	4304413216	Electric Expand Valve Fitting	1
23	4304413215	Electric Expand Valve Fitting	1
24	7509410000601	Heat Preserving Bushing	1
25	01844100008P	Retaining Plate 3	1
26	12204437	Foam	1
27	12204440	Foam	1
28	76510021	Cable Cross Loop	1
29	71010103	Wire Clamp	1
30	76510021	Cable Cross Loop	1
31	71010103	Wire Clamp	1
32	70410523	Insulation Gasket	1
33	01424731P	Electric Box Cover	1
34	01324100032	Electric Component Mounting Plate Sssy	1
35	420111451	Terminal Board	1
36	42011154	Terminal Board	2
37	76510021	Cable Cross Loop	1
38	30276000002	Pin Board	1
39	420111041	Terminal Board	3
40	01324100046	Electric Component Mounting Plate Sub-Assy	1

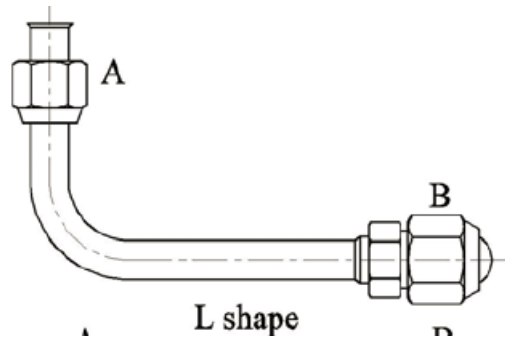
PIPING ADAPTERS

Sold Separately



I Type Adapter

Part No.	A-B Size inch (mm)
6654104	1/4φ-3/8φ (φ6 to φ9)
6643008	3/8φ-1/2φ (φ9 to φ12)
6654100009	1/2φ-5/8φ (φ9 to φ16)
6654100011	5/8φ-3/4φ (φ16 to φ19)



L Type Adapter

Part No.	A-B Size inch (mm)
6654110	1/4φ-3/8φ (φ6 to φ9)
6654120	3/8φ-1/2φ (φ9 to φ12)
6654100008	1/2φ-5/8φ (φ9 to φ16)
6654100010	5/8φ-3/4φ (φ16 to φ19)

Specifications, data and part numbers are subject to change without notice. Manufacturer reserves the right to discontinue or modify specifications or designs.