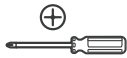


BACKDRAUGHT DAMPER KOM ... U SERIES

INSTALLATION GUIDE

INSTALLATION

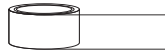
TOOLS REQUIRED



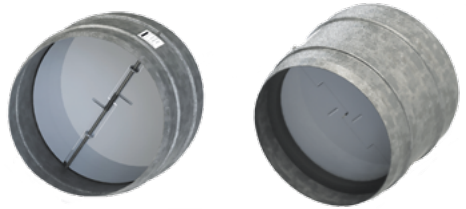
Screwdriver



Clamp



Aluminium tape



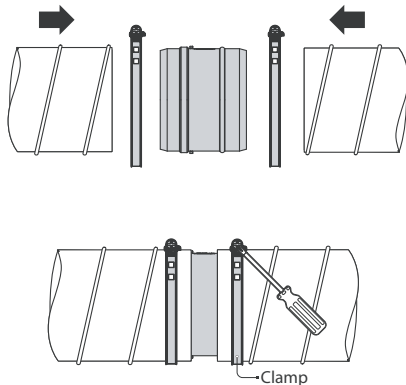
DAMPER POSITIONING IN THE AIR DUCT

Swivel axsi of the blade must be positioned vertically.

The air damper must be installed in the ventilation system considering the air flow direction.

MOUNTING WITH CLAMPS

Connect the air damper with flexible air ducts and fix the air ducts to the damper using the clamps.



MOUNTING WITH A MOUNTING ALUMINIUM TAPE

Connect the air damper with air ducts and fix the connection place using a mounting tape.

