



DESCRIPTION

Specifically designed for direct air exhaust through the wall the VENTS OV1 series fans are perfect ventilation solutions for parking garages, agricultural facilities and stores. These fans can effectively and quietly handle major ventilation challenges such as large warehouses without taking up valuable space.

Five year warranty

CASING

The fans' body is made of steel with polymeric coating while the impeller is made of aluminum.

MOTOR

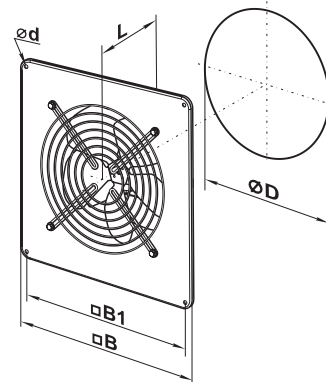
Asynchronous motor on ball bearings and thermal protection ensure safe and smooth operation.

SUITABLE FOR:

Commercial, educational, government or industrial buildings.

DIMENSIONS

Model	Measurements [in.]				
	Ø D	Ø d	B	B1	L
OV1 200	8 3/16"	1/4"	12 5/16"	10 1/4"	4 3/4"
OV1 250	10 5/16"	1/4"	14 9/16"	12 5/8"	5 1/2"
OV1 315	12 5/16"	3/8"	16 15/16"	14 15/16"	6 11/16"



Tel: 888-640-0925
513-348-3853
Fax: 513-268-4597

Sales@ventsus.com
VentsUS.com
11013 Kenwood Road,
Cincinnati, Ohio 45242





OV1

PRODUCT SPECIFICATIONS

TECHNICAL DATA

AXIAL FAN

PERFORMANCE

Model	RPM*	Sones	Duct Dia	Max Watts*	Max Amps*	CFM vs. Static Pressure (Ps) in WG				Max.Ps	Volts/Hz
						0"	0.125"	0.25"	0.375"		
OV1 200	1680	2.5	8 3/16"	43	0.63	262	211	56	-	0.30	115
OV1 250	1640	4.1	10 5/16"	84	1.17	475	428	288	113	0.45	115
OV1 315	1430	5.1	12 5/16"	109	1.37	766	626	-	-	0.15	115

MODEL	QUANTITY	COMMENTS	PROJECT
			location:
			architect:
			engineer:
			contractor:
			submitted by:

Tel: 888-640-0925 Sales@ventsus.com
 513-348-3853 VentsUS.com
 Fax: 513-268-4597 11013 Kenwood Road,
 Cincinnati, Ohio 45242



2017/10