



## DESCRIPTION

Specifically designed for direct air exhaust through the wall the VENTS OVK1 series fans are perfect ventilation solutions for parking garages, agricultural facilities and stores. These fans can effectively and quietly handle major ventilation challenges such as large warehouses without taking up valuable space.

Five year warranty

## CASING

The fans' body is made of steel with polymeric coating while the impeller is made of aluminum.

## MOTOR

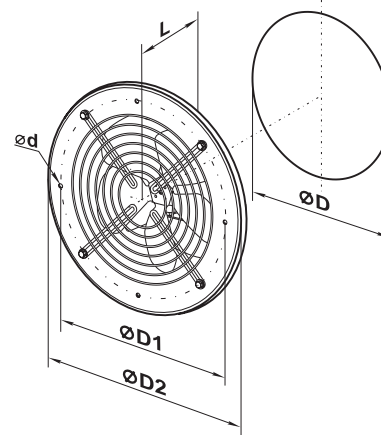
Asynchronous motor on ball bearings and thermal protection ensure safe and smooth operation.

## SUITABLE FOR:

Commercial, educational, government or industrial buildings.

## DIMENSIONS

Model	Measurements [in.]				
	Ø D	Ø D1	Ø D2	Ø d	L
OVK1 200	8 3/16"	10 5/8"	11 13/16"	1/4"	4 3/4"
OVK1 250	10 5/16"	13"	14 3/16"	1/4"	5 1/2"
OVK1 315	12 5/16"	15 3/8"	16 9/16"	3/8"	6 11/16"



Tel: 888-640-0925  
513-348-3853  
Fax: 513-268-4597

Sales@ventsus.com  
VentsUS.com  
11013 Kenwood Road,  
Cincinnati, Ohio 45242





**OVK1**

**PRODUCT SPECIFICATIONS**

**TECHNICAL DATA**

**AXIAL FAN**

**PERFORMANCE**

Model	RPM*	Sones	Duct Dia	Max Watts*	Max Amps*	CFM vs. Static Pressure (Ps) in WG				Max.Ps	Volts/Hz
						0"	0.125"	0.25"	0.375"		
OVK1 200	1680	2.5	8 3/16"	43	0.63	262	211	56	-	0.30	115
OVK1 250	1640	4.1	10 5/16"	84	1.17	475	428	288	113	0.45	115
OVK1 315	1430	5.1	12 5/16"	109	1.37	766	626	-	-	0.15	115

MODEL	QUANTITY	COMMENTS	PROJECT
			location:
			architect:
			engineer:
			contractor:
			submitted by:

Tel: 888-640-0925      Sales@ventsus.com  
 513-348-3853      VentsUS.com  
 Fax: 513-268-4597      11013 Kenwood Road,  
 Cincinnati, Ohio 45242



2017/10