

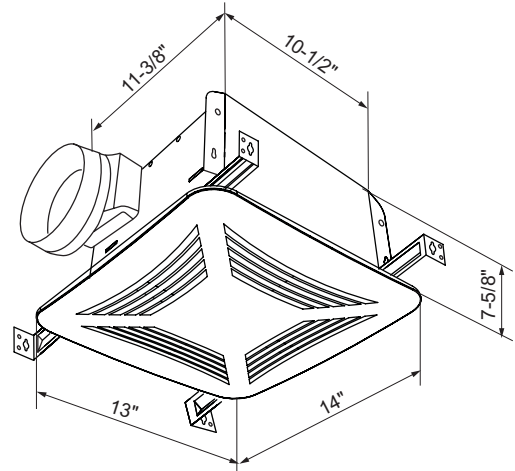


# PCD110XM - Premium Choice with DC Motor

(Ceiling Mounted Ventilation Fans)

## Performance & Dimensions

CFM @ 0.1" SP	90	110	120	140
CFM @ 0.25" SP	51	78	91	113
Sones @ 0.1" SP	0.5	0.9	1.2	1.5
Watts @ 0.1" SP	8.1	10.3	12.2	15.6
Energy Efficiency (CFM/Watt)	11.1	10.7	9.8	9.0
Amps	.16	.18	.22	.23
Sensor	Built-in Motion Sensor			
Duct Connector Diameter (in)	6"			
Grille Size (in)	13" x 14"			
Dimensions (w x d x h) (in)	11-3/8" x 10-1/2" x 7-5/8"			



### Optional Accessories:

- Motion Sensing Lighted Grille (CFL)
- Radiation Damper

### Features:

- Installation Distance: 7 to 9 feet
- Sensing range is within the cone of angle of 90°
- Adjustable Time Delay shut-off from 3 to 30 minutes
- Adjustable continuous speed or intermittent reduced speed up to 50%

### Typical Specifications:

Ventilating fan shall be S&P fan mounted in the ceiling. PCD110XM shall come with a built-in motion sensor, timer delay, and speed control. The fan shall have a 6-year warranty. The fan shall be HVI Certified at 0.1 inch water gauge for CFM performance above. The fan shall be ENERGY STAR® qualified. The motor shall be ETL and cETL Listed with impedance protection plus additional thermal protection.