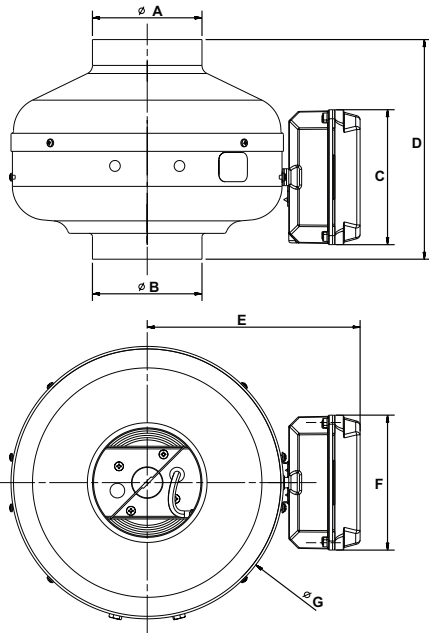




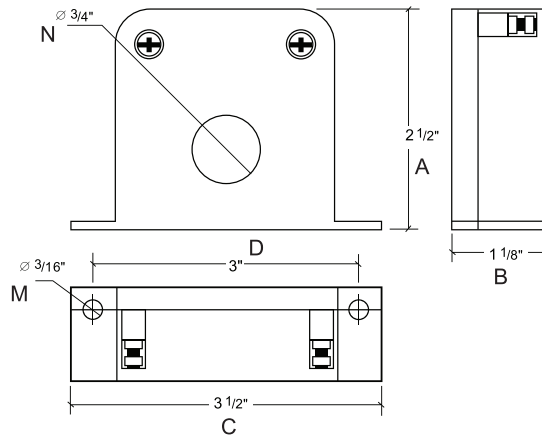
KIT - PV-100xps and DBF-100xc

(Gas & Electric Dryer Boosting Kits)

PV-100x Dimensions



CS-325 Dimensions



PV-100xps
Clothes Dryer Exhaust Booster Kit with
Integrated Pressure Sensor Switch

- This Premium Dryer Booster Kit Includes the Following Components:
1. PV-100x Duct Boosting Fan (153 CFM)
 2. Integrated Air Pressure Sensing Switch with electronic cycle timing board
 3. Fan Mounting Bracket



DBF-100xc
Clothes Dryer Exhaust Booster Kit with
Current Sensor

- This Premium Dryer Booster Kit Includes the Following Components:
1. PV-100x Duct Boosting Fan (153 CFM)
 2. CS-325 High Current Sensing Switch
 3. Fan Mounting Bracket

Dimensions Inches/mm

Model	A	B	C	D	E	F	G	Weight lbs(kgs)
PV-100x	3 13/16 97.5	3 13/16 97.5	4 3/4 120	7 11/16 196	7 1/2 190	4 3/4 120	9 9/16 243	7 3.0

Air Performance

Model No.	Nom. RPM	Volts	Max. Watts	CFM v Static Pressure (SP) Ins. WG									Max. SP	Duct Dia. Ins.
				0"	0.125"	0.25"	0.375"	0.5"	0.75"	1.0"	1.25"	1.5"		
PV-100x	2880	115	84	153	142	130	120	111	96	80	63	34	1.85	4"



MOTOR DATA

AMPS	RPM	VOLTS	PH	HZ	ENCLOSURE

ACCESSORY MODEL	1	2	3	4	5	REMARKS
<input type="checkbox"/>						
<input type="checkbox"/>						

PROJECT: _____ CONTRACTOR: _____
 LOCATION: _____ REVISION DATE: _____
 FORM NO.: _____ SUBMITTED BY: _____ DATE: _____
 ENGINEER: _____ APPROVED BY: _____ DATE: _____

For more information contact us at www.solerpalau-usa.com or 1.800.961.7370 for additional submittal drawings.
 S&P will not be responsible for fabrication changes or errors resulting from customer use of a non-current submittal drawing.

