

Specifications

CLASSIFICATION

- Portable HEPA (High Efficiency Particulate Air) 100% Sealed Air Cleaning Device
- C.S.A. approved

MATERIALS: 24 gauge cold rolled steel

FINISH: Powder coated baked enamel

COLORS: Black & White

INTAKE (Upper Section)

Duct connection at rear

OUTFLOW (Lower Section)

Encloses motor/fan.

MOTOR/FAN

- Thermally protected Class "B" insulated motor
- Designed for continuous operation
- Run tested for 50,000 hours
- Service: 120 Volt, 50/60 Hz.

CONTROL: Variable speed

DIMENSIONS: 16" W 23"H

WEIGHT: 22 lbs.

AIR FLOW (C.F.M.): 75-300

POWER USAGE: 59-120 Watts



Portable Air Filtration Systems

Instruction Manual Model 4000VOC

Read and
keep this manual for
reference purposes

LIMITED WARRANTY

The motor/fan in this Amaircare® product is warranted by Americair Corporation to the original retail purchaser for FIVE (5) YEARS from the date of purchase. All other components (except filters) are warranted for ONE (1) YEAR. Americair will repair or replace at its option the component(s) which upon inspection by an authorized Amaircare® dealer proves to have failed in normal use, due to defects in material or workmanship, or, at its option, to replace the unit. Operations other than those recommended in this manual or at voltages other than that specified on the unit, or any attempts by unauthorized personnel to service or modify the unit will void the warranty.

WARRANTY SERVICE IS AVAILABLE BY BRINGING YOUR UNIT, OR SENDING IT POSTAGE PRE-PAID, WITH PROOF OF PURCHASE TO THE VENDOR WHO SOLD YOU THE UNIT.

AMERICAIR CORPORATION 770 Gana Court Mississauga, Ontario, Canada L5S 1P1

Amaircare is a trade mark (registered in the U.S.) of Americair Corporation.

Americair Corporation reserves the right to change or modify any specifications without notice.

Printed in Canada 06/2006

Visit our website at: www.amaircare.com



Cleaning the air you breathe.

Service: 230 Volt, 50/60 Hz.

RV-1-220

Thank you for purchasing an Amaircare® portable air filtration system. With proper care and maintenance, your Amaircare® system will provide many years of reliable service, improving the quality of your air.

The Amaircare 4000VOC ChemFilter is designed to remove VOC's generated by solvent ink-jet plotters. The 4000VOC is installed directly into the rear of a plotter and creates a negative pressure inside the plotter. The VOC's that are created in the printing process are drawn into the 4000VOC's 30 lb. granulated carbon filters which remove a significant amount of the V.O.C.'s. The 'clean' air is then vented out of the bottom of the 4000VOC.

The 4000VOC works independent of any other system. It can run even if the solvent ink-jet plotter is not operating, and is recommended for continuous reduction of V.O.C. levels within the work area.

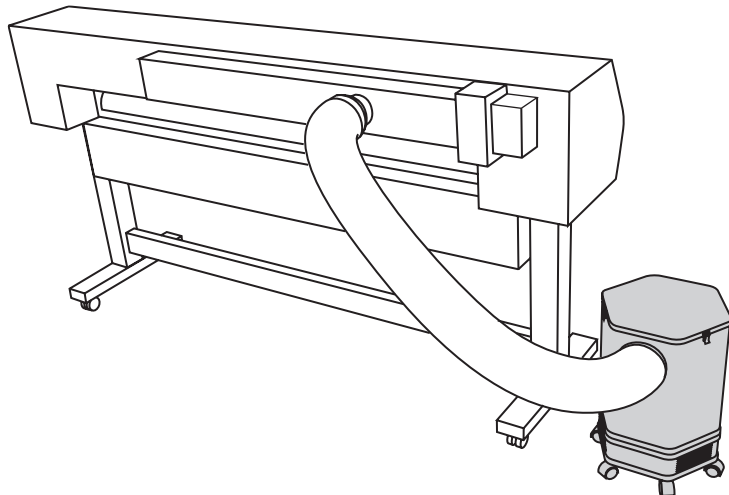
INSTALLATION

Since each application differs, there are many ways the 4000VOC can be put to use.

Air needs to be drawn into the 4000VOC from the evaporation area of the ink-jet plotter. This can be achieved several ways (hoods, duct connections, close proximity etc.)

Solutions might include a hood ducted to the unit to draw air from the paper output of the printer as the ink dries.

Below is another way of installing the 4000VOC to the ink-jet plotter that uses duct connections and flex hosing. An installation such as this, provides excellent VOC removal as air is drawn directly from the plotter.



The useful service life of the filters is directly related to the volume of air passed through the system and the amount of contaminants in the air. If your air contains abnormally high levels of airborne contaminants the life of the filter may be shortened.

FILTER REPLACEMENT INSTRUCTIONS

Opening the cabinet

1. Remove safety screw from filter access lid.
2. Unlatch the three retaining clips and lift off filter access lid.

Removing the Filter

1. Bracing the unit so it does not move, turn the Carbon canister counter-clockwise and lift out.

**Caution - Filter canister is heavy and may damage the unit if dropped*

Replacing the O-Ring

1. The old O-ring is removed by pinching it between two fingers and pulling it off the collar on the blower deck.
2. Place new O-ring onto the blower deck making sure it fits snugly around the filter adapter collar.

Replacing the Filter

1. Place the new Carbon canister into the unit carefully.
2. Bracing the unit so it does not move, turn the Carbon canister clockwise until it fits snugly, and does not pop off. (test the fit by lifting the unit up a few inches by the filter cartridge.)

Closing the cabinet

1. Re-place filter access lid and secure it with the three retaining clips.
2. Replace safety screw from filter access lid.