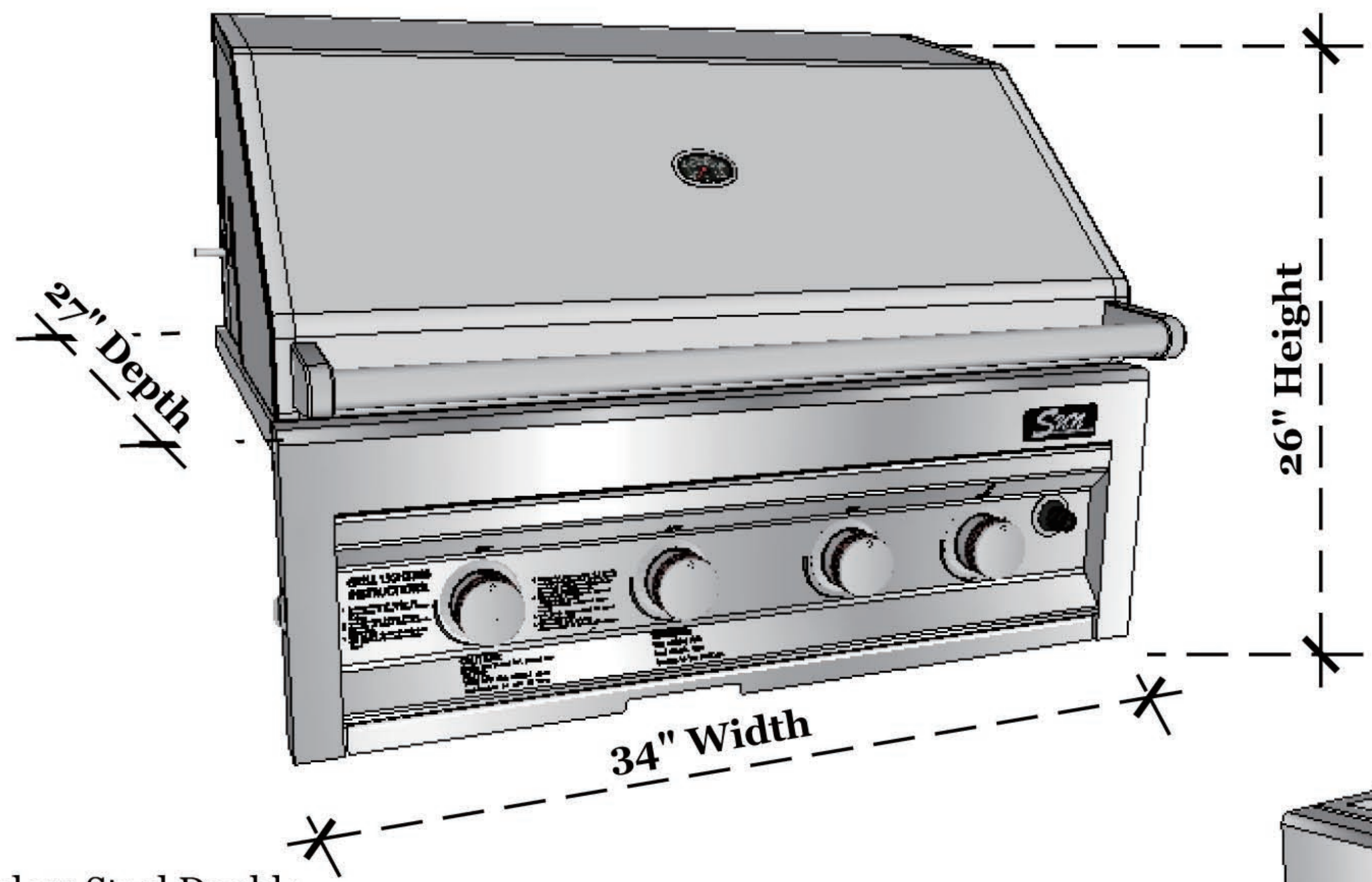
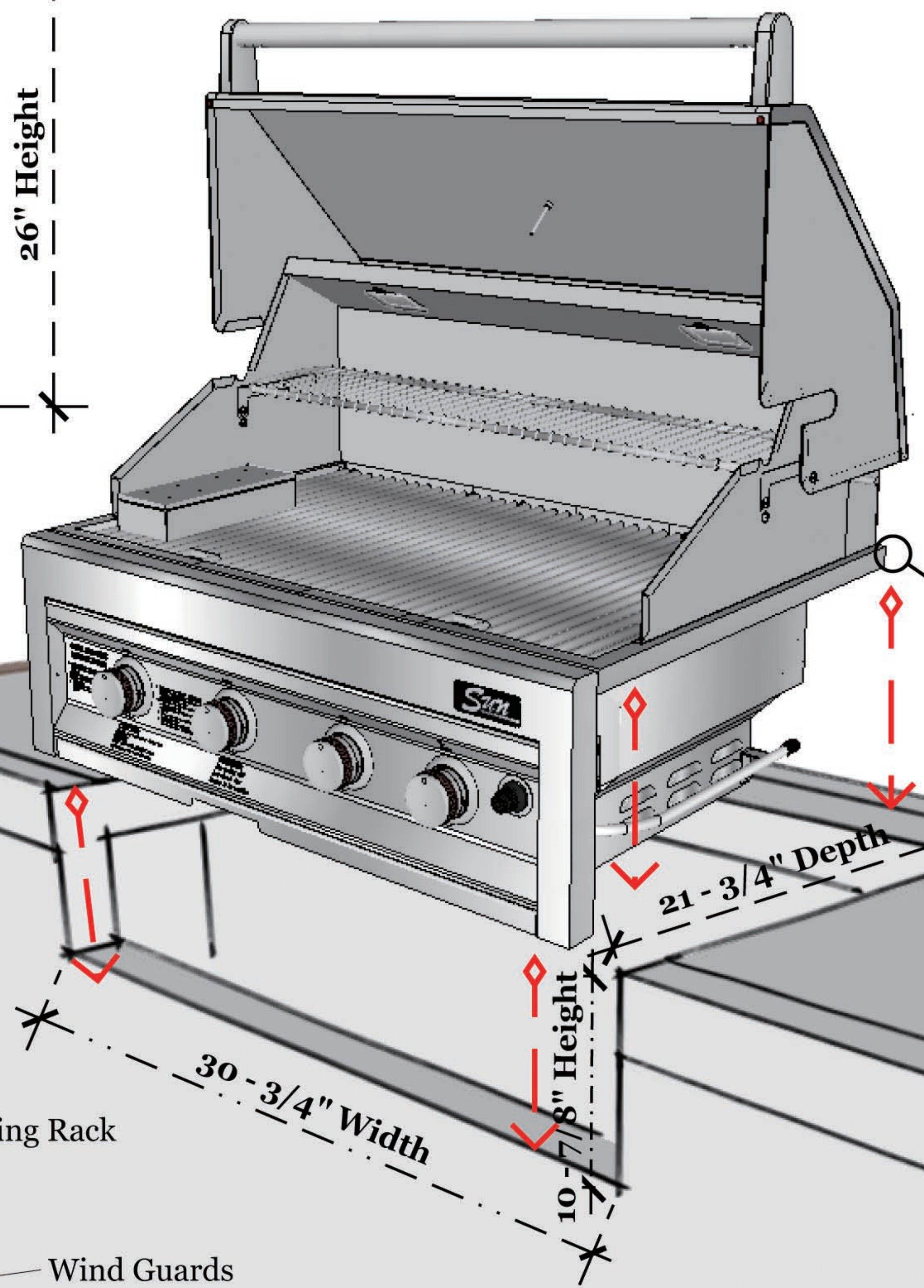


Sunstone Metal Products
 16004 Central Commerce Dr
 Pflugerville TX 78660
 Tel: 888.934.9449
 Bus: 512.487.5116
 Fax: 512.487.7016

Product Dimensions



Cut-out Dimensions



PRODUCT
 4 BURNER W/LIGHTS 42"
 Item No. SUN4B

DESCRIPTION
 4 BURNER W/LIGHTS 34"

4 BURNER W/LIGHTS 34"
 34" W x 27" D x 26" H (Product Size)
 30-3/4" W x 21-3/4" D x 10-7/8" H(Cut-out)
 138 LBS (Weight)

Material Specifications:
 304 Stainless Steel for Entire Structure.
 16 Gauge for External Hood Layer.
 20 Gauge for Internal Hood Layer.
 11 Gauge Cast Stainless Steel Burner.
 18 Gauge for Firebox.
 18 Gauge for Front Face Panel.
 18 Gauge for Drip Tray, 20 Gauge for Flavor Systems.

304 Stainless Steel Double
 Wall Hood & Back Hood
 Temperature Gauge

Enlarged View

Grill Lip rests on counter



Commercial Adjustable Valves
 Roll-along Tray

11 Gauge 304 Stainless Steel "I" Burner

Right End Section Cut

Internal Light Assembly

Gas Flow

Air Venturi Bolt

Up To 20,000 btu's a burner

Mounting Bolt

Large Center Grilling Space

1" Double Walled Hood

Solid Vented Handle

Air Flow

304 SS 16 Gauge for External Hood Layer

304 SS 20 Gauge Internal Hood Layer

Lights

304 11 Gauge Stainless Steel "I" Burner

(4) 304 SS 20 Gauge Flavor Systems Racks

304 SS 18 Gauge for Front Face Panel

1/2" to 3/8" Flare adapter included with Liquid Propane model

304 Stainless Steel for Entire Structure

(2) 304 Heavy Duty Solid 3/8" Stainless Cooking Grids

Regulator included with Natural Gas model

304 SS 18 Gauge SS Drip Tray

304 SS Warming Rack

304 SS Wood Smoker Box

(3) 304 SS Flame Directors

