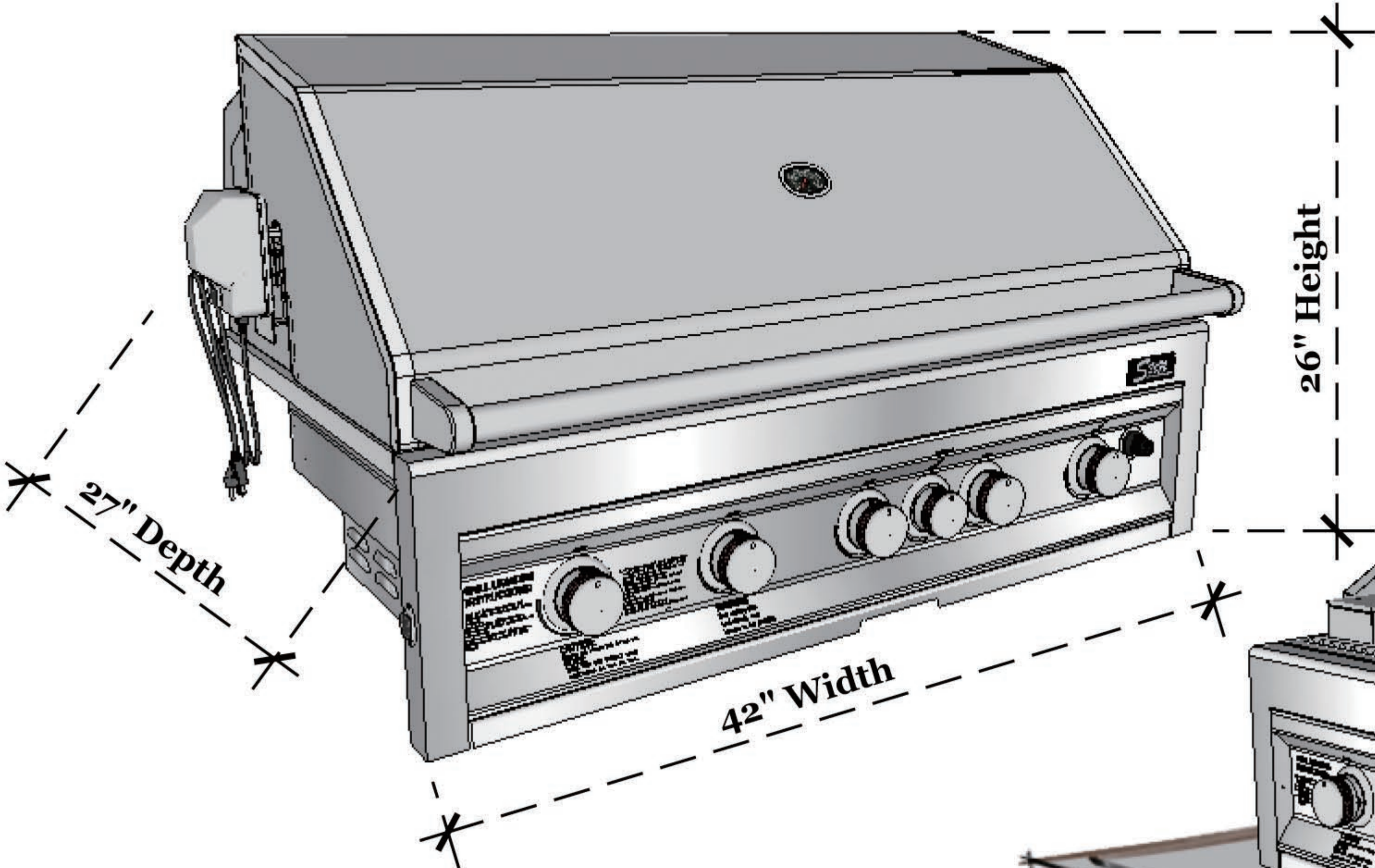
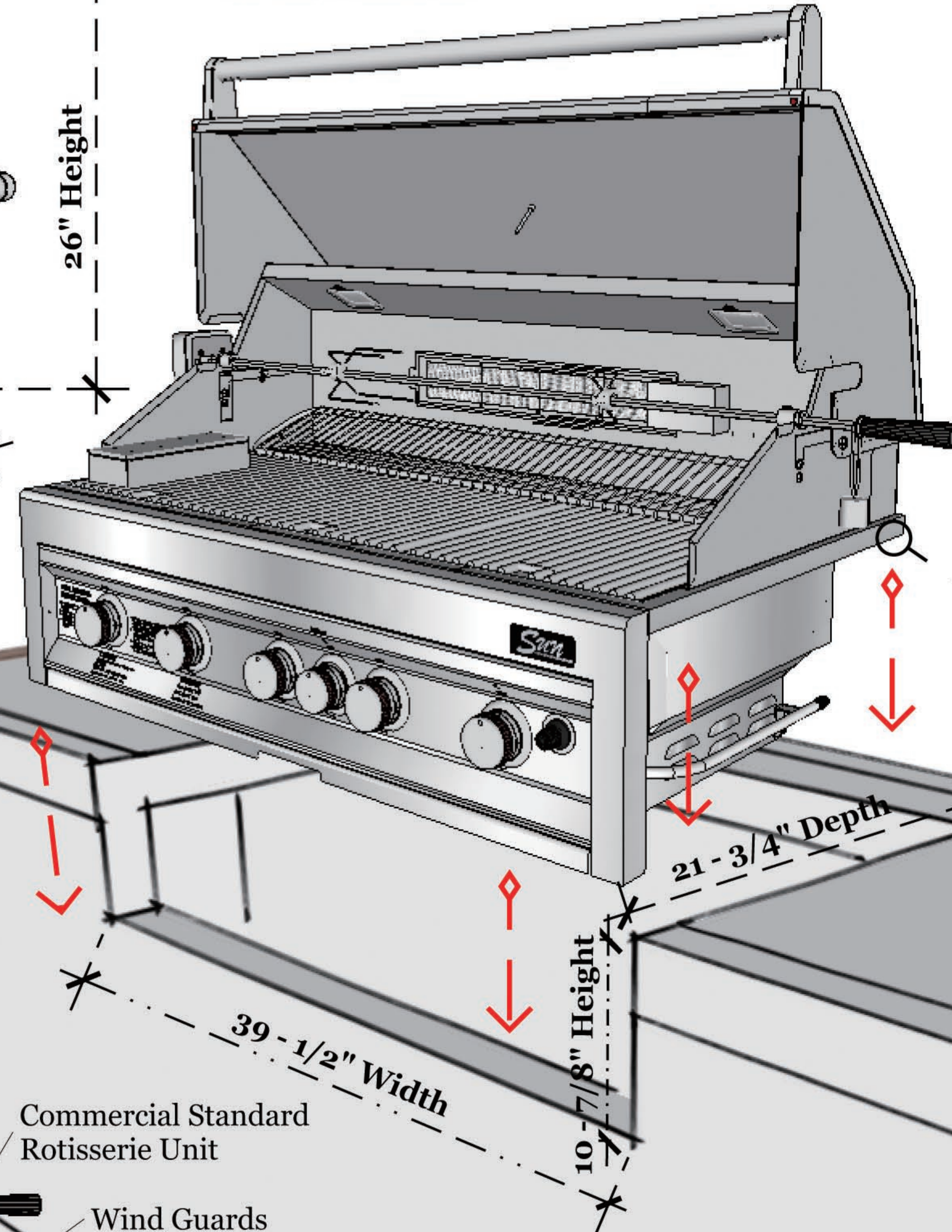


Sunstone Metal Products
16004 Central Commerce Dr
Pflugerville TX 78660
Tel: 888.934.9449
Bus: 512.487.5116
Fax: 512.487.7016

Product Dimensions



Cut-out Dimensions



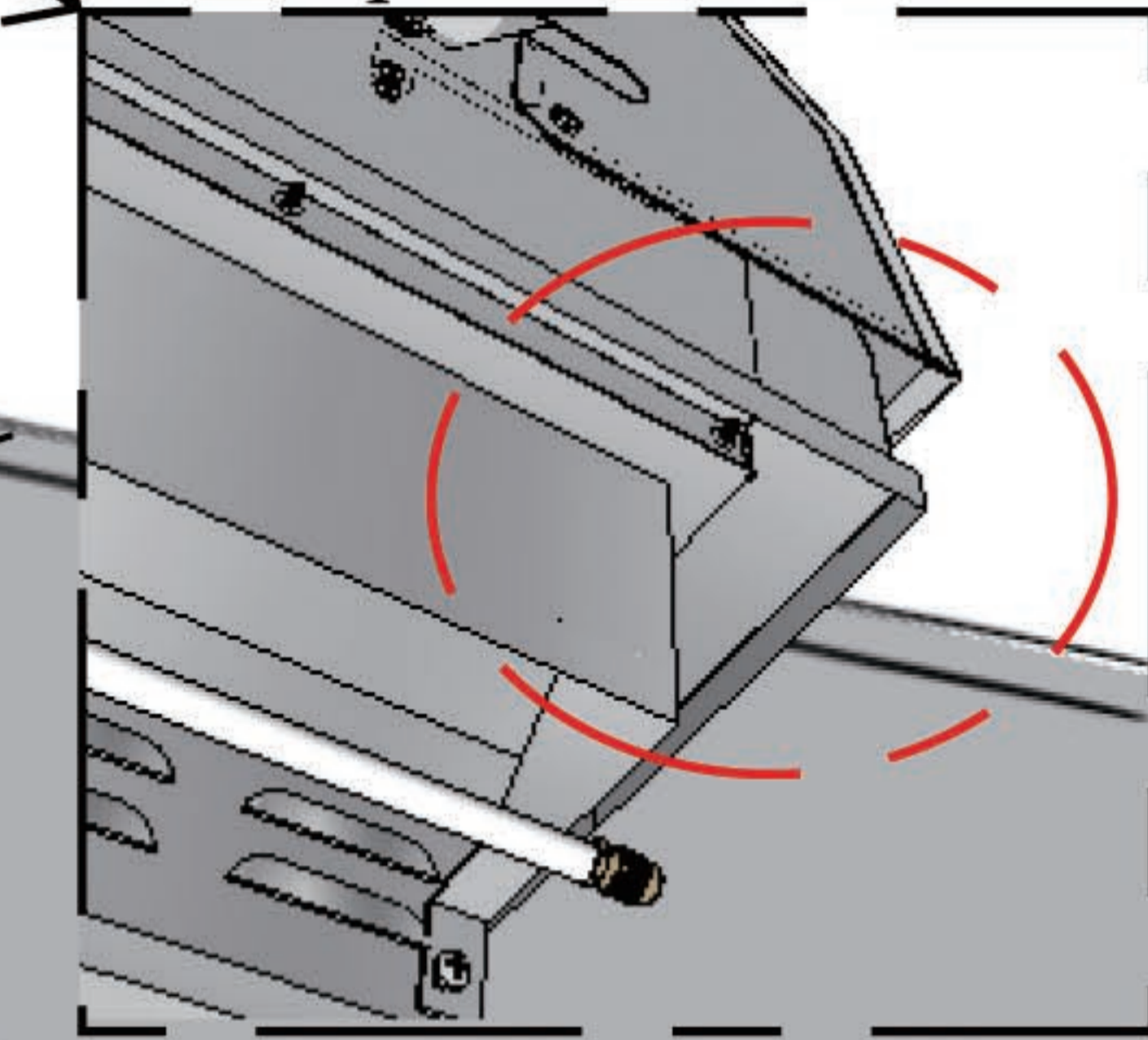
PRODUCT
5 BURNER W/LIGHTS 42"
Item No. SUN5BIR

DESCRIPTION
INFRARED 5 BURNER
W/LIGHTS 42"

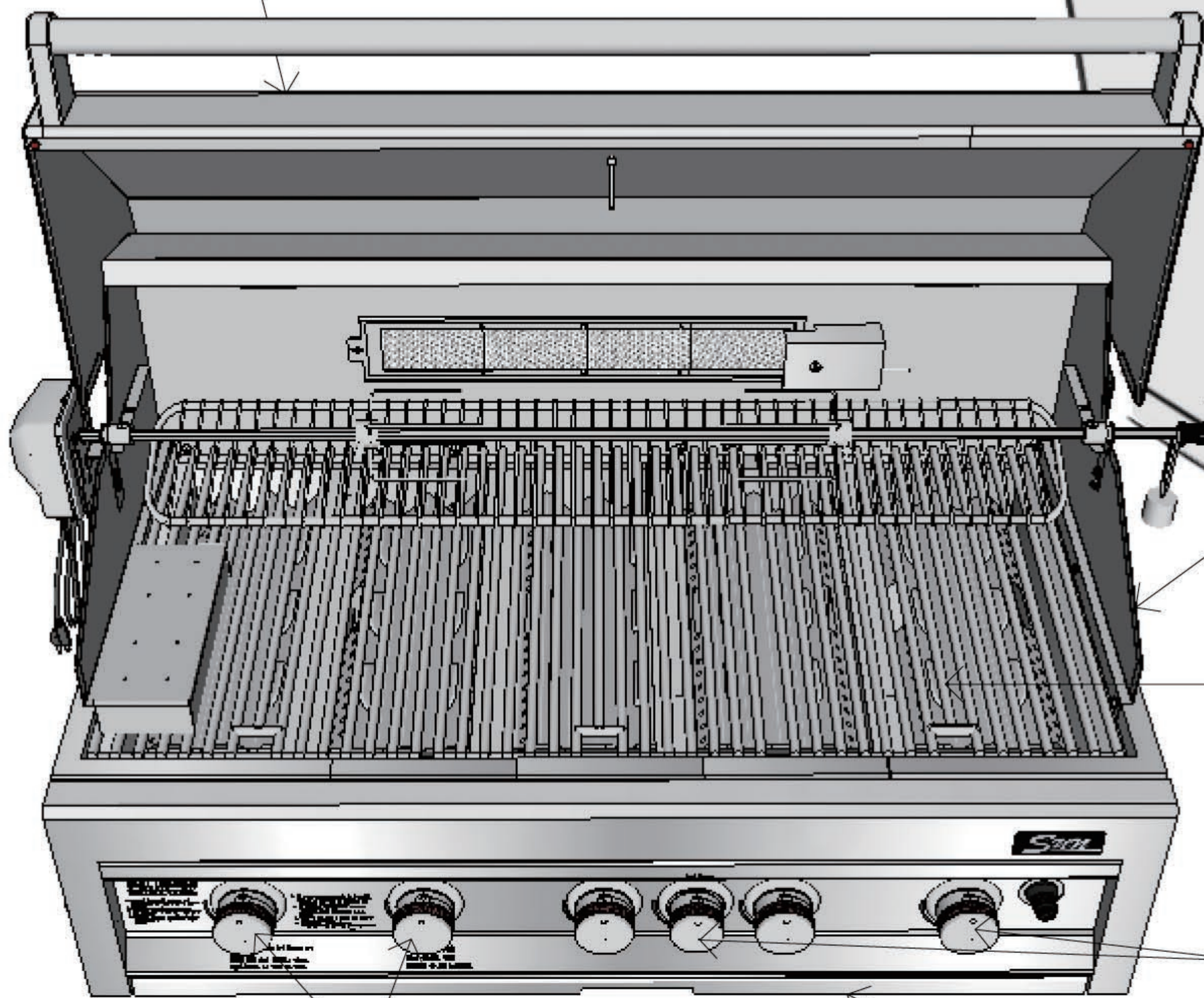
5 BURNER W/LIGHTS 42"
42" W x 27" D x 26" H (Product Size)
39-1/2" W x 21-3/4" D x 10-7/8" H(Cut-out)
177 LBS (Weight)

Material Specifications:
304 Stainless Steel for Entire Structure.
16 Gauge for External Hood Layer.
20 Gauge for Internal Hood Layer.
11 Gauge Cast Stainless Steel Burner.
18 Gauge for Firebox.
18 Gauge for Front Face Panel.
18 Gauge for Drip Tray, 20 Gauge
for Flavor Systems.

Enlarged View
Grill Lip rests on counter



304 Stainless Steel Double
Wall Hood & Back Hood
Temperature Gauge



Commercial Standard
Rotisserie Unit

Wind Guards

304 Heavy Duty 3/8"
Stainless Cooking Grids

Electronic Ignition System

Commercial Adjustable Valves

Roll-along Tray

11 Gauge 304 Stainless Steel "I" Burner

Right End Section Cut

Internal Light Assembly

Gas Flow

Rotisserie Rod

Large Center Grilling Space

Air Venturi Bolt

Up To 20,000 btu's a burner

Mounting Bolt

1" Double Walled Hood

Solid Vented Handle

304 SS 16 Gauge for External Hood Layer

Air Flow

IR Burner-15,000 BTU's

304 SS 20 Gauge Internal Hood Layer

Lights

Left/Right Rot. Mount Assembly

304 SS 20 Gauge Flavor Systems Racks

Infra Red Burner Housing

304 11 Gauge Stainless Steel "I" Burner

304 SS 18 Gauge for Front Face Panel

1/2" to 3/8" Flare adapter included with Liquid Propane model

(3) 304 Heavy Duty Solid 3/8" Stainless Cooking Grids

304 Stainless Steel for Entire Structure

Regulator included with Natural Gas model

304 SS Warming Rack

304 SS Rotisserie Unit includes SS Rod, (2) Adjustable Large Forks, (2) Support Mounts, Heavy Counter Weight, Fastener,

304 SS Flame Directors

304 SS 18 Gauge SS Drip Tray

304 SS Wood Smoker Box

