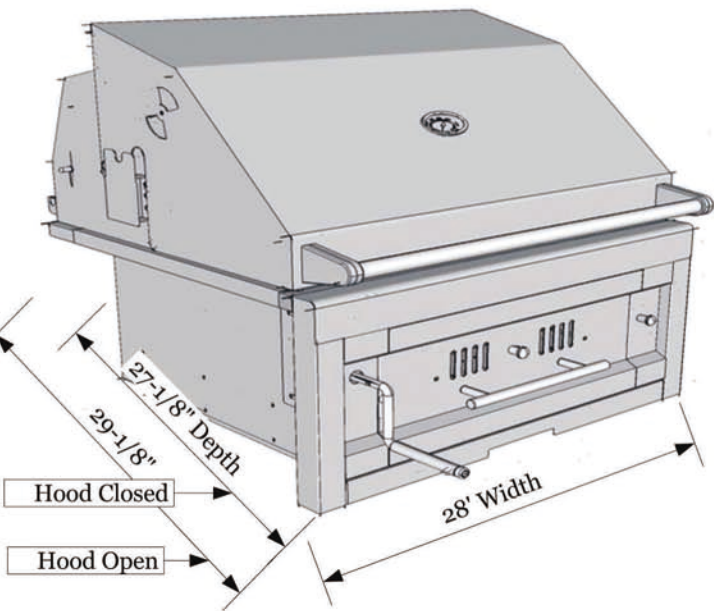
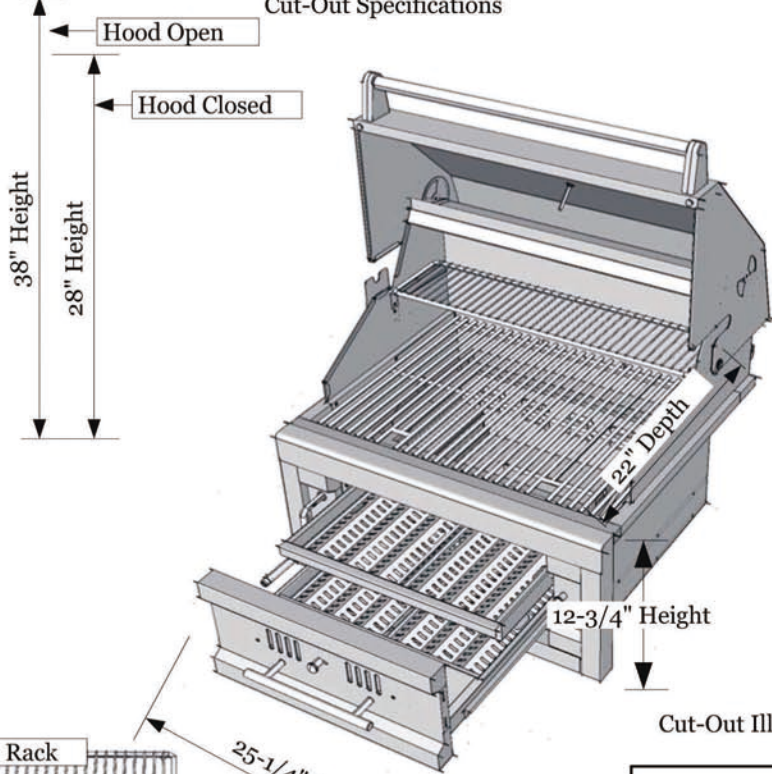


Product Specifications



Cut-Out Specifications



Sunstone Metal Products
 16004 Central Commerce Dr
 Pflugerville TX 78660
 Tel: 888.934.9449
 Bus: 512.487.5116
 Fax: 512.487.7016

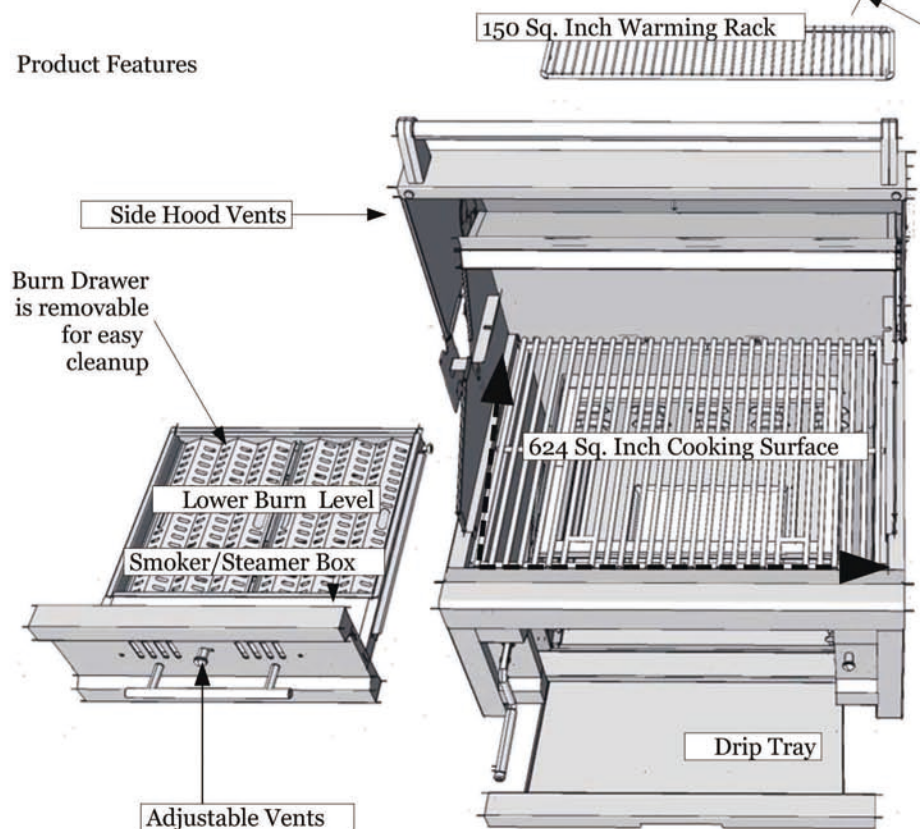
PRODUCT
 28" Charcoal Grill
 Item No. SUNCHDZ28

DESCRIPTION
 28" Dual Zone 304 Stainless Steel
 Charcoal Grill

PRODUCT SPECIFICATIONS
 28"W x 27-1/8" D x 28" H (Product Size)
 25-1/4" W x 22" D x 12-3/4" H (Cut-out)
 200 LBS (Weight)

MATERIAL SPECIFICATIONS:
 304 stainless steel for entire structure;
 16 gauge 304 external hood layer; 20 gauge
 304 internal hood layer; 18 gauge firebox;
 and 18 gauge drawer panel. Interior structure:
 13 gauge lifting gear device; 14 gauge charcoal tray;
 18 gauge charcoal drawer; 18 gauge drip tray;
 and 18 gauge ash tray.

Product Features



Cut-Out Illustration

