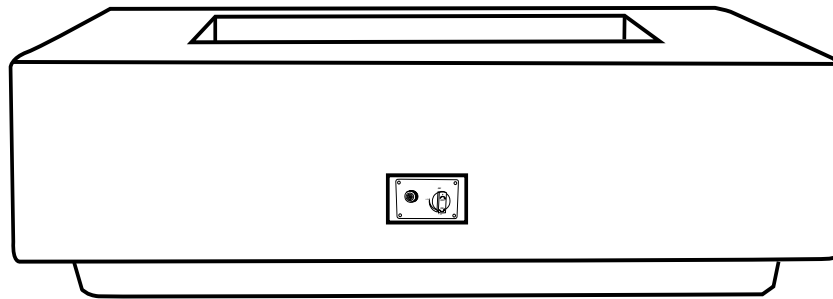




THE BURNER SYSTEM FOR THE SANCTUARY 1 COMES WITH ITS OWN SEPERATE MANUAL HOWEVER, USE THIS MANUAL FOR ACTUAL INSTALLATION INTO THE SANCTUARY 1



## Sanctuary 1 Outdoor Fire Feature Installation and Operating Instructions

### MODEL

Natural Gas	Description
SAN1-30LHTMSI-N	56" x 38" x 16" Rectangular TMSI Model

**IF YOU CANNOT READ OR UNDERSTAND THESE INSTALLATION INSTRUCTIONS  
DO NOT ATTEMPT TO INSTALL OR OPERATE THIS APPLIANCE**

Ventilation is incorporated into all Sanctuary Series Fire Features

WARNING: Do not operate this fire feature in high-wind conditions. Operating in high-wind conditions may expose your model to direct flame, which will result in cracking and discoloration to the finish.



**Warning: For Outdoor Use Only**



We recommend that our gas hearth products be installed and serviced by professionals who are certified in the U.S. by the National Fireplace Institute® (NFI) as NFI Gas Specialists.

**PLEASE RETAIN THIS MANUAL FOR FUTURE REFERENCE**



**DANGER**

**CARBON MONOXIDE HAZARD**

This appliance can produce carbon monoxide which has no odor.

Using it in an enclosed area can kill you.

Never use this appliance in an enclosed space such as a camper, tent, car or home.



**DANGER**

If you smell gas:

1. Shut off gas to the appliance
2. Extinguish any open flame.
3. If odor continues, keep away from the appliance and immediately call your gas supplier or fire department.



**WARNING**

Do not store or use gasoline or other flammable vapors and liquids in the vicinity of this or other appliances.

Any LP cylinder not connected for use shall not be stored in the vicinity of this or other appliances.

**WARNING**

Do not leave unattended during use.  
Do not use for cooking.  
Follow all gas leak procedures in this manual prior to operation.



**WARNING**

Improper installation, adjustment, alteration, service or maintenance can cause injury or property damage. Read the installation, operating and maintenance instructions thoroughly before installing or servicing this equipment.

**WARNING**

If the information in these instructions is not followed exactly, a fire or explosion may result causing property damage, personal injury or death.

**FOR YOUR SAFETY**

Do not store or use gasoline or other flammable vapors and liquids in the vicinity of this or other appliances.



Fuels used in gas fired appliances, and the products of combustion such as fuels, contain chemicals known to cause cancer, birth defects and/or other reproductive harm. This warning is issued pursuant to the California Health & Safety Code Sec. 25249.1

## CALIFORNIA PROPOSITION 65



### WARNING

This product is designed to operate with one of the following fuel sources: Liquid Propane or Natural Gas. The fuel used to operate this product, and the products of combustion of such fuel, can expose you to chemicals including Benzene which is known to the State of California to cause cancer, birth defects and other reproductive harm and Carbon Monoxide which is known to the State of California to cause birth defects and other reproductive harm.

(For more information go to: [www.p65Warnings.ca.gov](http://www.p65Warnings.ca.gov).)

## TABLE OF CONTENTS

<b>Specifications</b>	4
<b>Preparing a Location for Your Sanctuary Fire Feature</b>	5
Hard Piping to Fire Feature	5
<b>Gas Pipe Sizing Chart</b>	6
<b>Installation Requirements of Fire Feature</b>	7
Ventilation Information	7
High Elevation	7
<b>Burnerpan Preparations</b>	8
<b>Burnerpan Installation into Enclosure</b>	9
<b>Installation of Lava Rock or Glass Media</b>	10
<b>Operation</b>	11
Lighting Instructions for Sanctuary 1	11
<b>Replacement Parts</b>	12
<b>Replacement Parts List</b>	13
<b>Trouble Shooting</b>	13
<b>Maintenance (Burner &amp; Enclosure)</b>	14
<b>Optional Accessories</b>	15
<b>Conversion Kit (LOF-BO-LP40)</b>	16



All media (i.e. lava rock, lava stones, lava boulders and fire glass) has the potential of thermal spalling. This is a process that may occur when media is wet and moisture gets trapped inside of the material due to rapid temperature differences. When this happens the media has the potential to crack or “pop” outside the fireplace.

**WE HIGHLY RECOMMEND COVERING ALL FIRE FEATURES WHEN NOT IN USE**

The use of a cover can lessen the impact of thermal spalling; however, heavy rains, high humidity and the presence of moisture may still cause the media to pop.

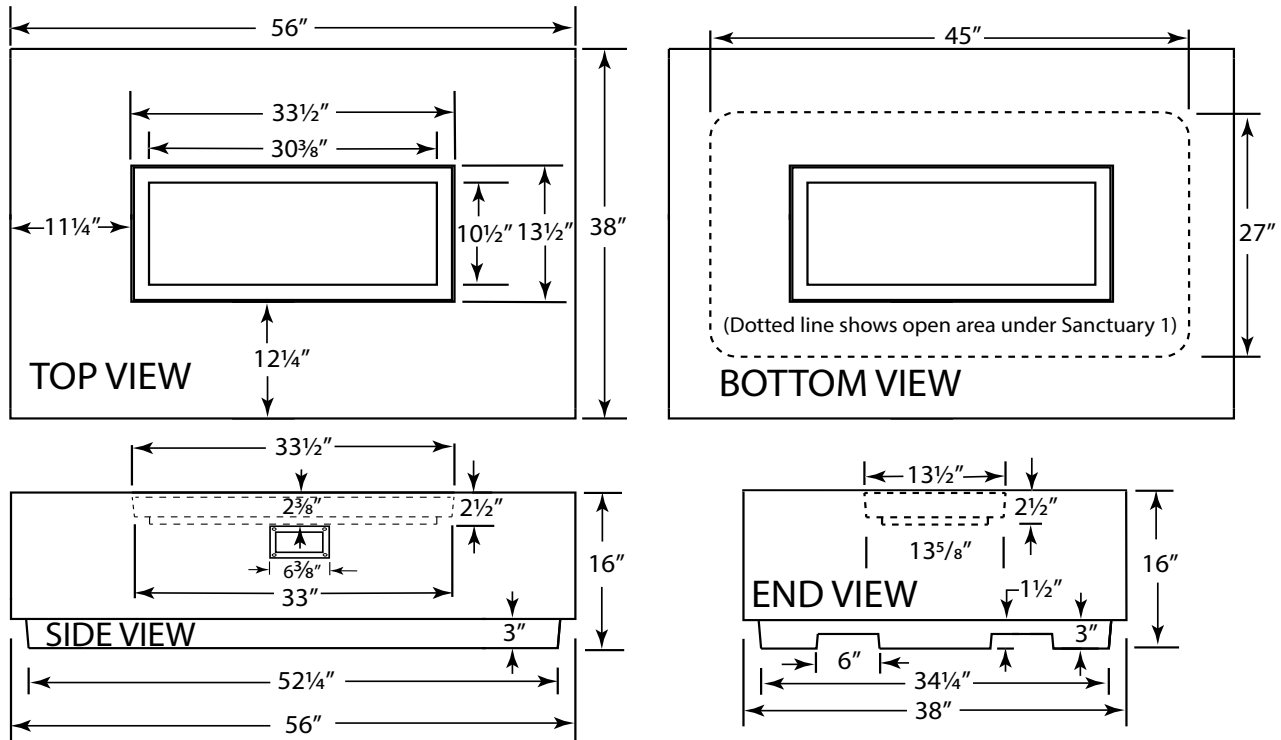
**ALWAYS USE CAUTION WHEN USING THE FIRE FEATURE**

Extra caution should be taken when lighting a fireplace when heavy rains, high humidity and moisture are present. Light the fireplace; leave the area allowing any moisture in the media to dissipate. We strongly recommend that during this drying out time that you monitor the fire feature from a distance. This drying out period should be no less than 30 minutes. Continue monitoring the flame from distance to ensure that all popping has ceased before fully enjoying the fire.

## SANCTUARY SPECIFICATIONS

Model: Natural Gas (NG)	Model: Required Burner	Overall Size	Inside Width	Inside Depth	Height	Combustible Side Wall Clearance	Combustible Ceiling Clearance
SAN1-30LHSTMSI-N	LOF30LHTMSIN-SAN	56" x 38"	33½" x 13½"	2½"	16"	16"	69"

**Table 1** Sanctuary Specifications



**Fig. 1** Sanctuary Dimensions

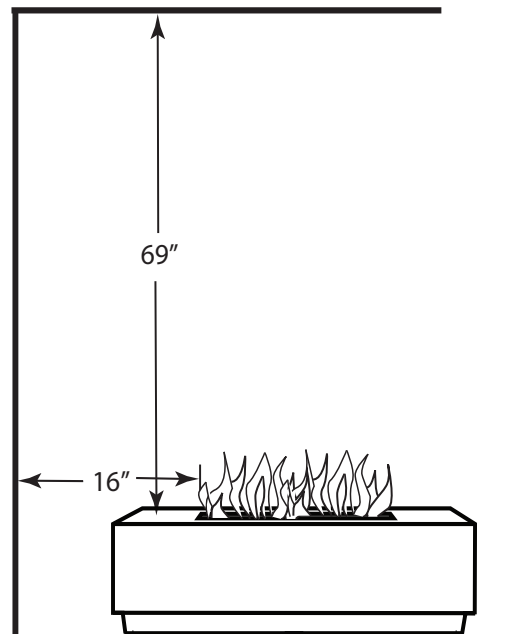
Model: Natural Gas (NG)	Burner Models: NG	NG Factory Orifice	NG Btu's
SAN1-30LHSTMSI-N	LOF30LHTMSIN-SAN	#18	65,000

**Table 2** Btu Specifications

**Disclaimer:** Btu listings are based on 7.0"WC for Natural Gas and 11.0"WC for Liquid Propane (LP) to the gas valve. Flex line size and proper gas pipe sizing will also affect Btu's. As a result your Btu's may vary slightly from Table 2 specifications.

Pressure	NG	LP
Min. Inlet	5.0" WC	10.5" WC
Max. Inlet	10.5" WC	13.0" WC
Normal Inlet	7.0" WC	11.0" WC

**Table 3** Gas Pressures



**Fig. 2.** Clearance to Combustibles  
(Not to be used in an enclosed space)

**WARNING:** Proper clearances from combustible materials must be maintained from all sides, top and bottom of this appliance. Use the specifications listed on page 4 for proper clearance to combustibles.

## PREPARING A LOCATION FOR FIRE FEATURE

**NOTE:** The Sanctuary Series fire features/bowls are constructed of Glass Fiber Reinforced Concrete (GFRC). The Sanctuary 1 weighs 350lbs. without media or the burner system installed. Ensure the structure you are placing these fire features on is solid enough to securely hold the weight. IT IS HIGHLY RECOMMENDED FOR AT LEAST 3-4 PEOPLE TO ASSIST IN MOVING THE FIRE FEATURE INTO PLACE.

**This Sanctuary 1 Fire Feature must be installed on a non-combustible surface.**

Each fire feature can be installed on outdoor level flat, stable, non-combustible surface away from any combustible materials. **NOTE:** Do not place fire feature directly on grass, dirt, or rocks as this may prevent proper ventilation (Fig. 4). Water drainage is designed into all Sanctuary Series fire features. **Ensure not to block/plug the drains areas to prevent potential damage to your fire feature.**

The Sanctuary 1 can be plumbed with either Natural or Propane (LP) gas. If you choose to run hard pipe underneath the Sanctuary 1, protrude pipe no higher than 6" above ground. Fig. 1 shows "BOTTOM VIEW" available area for gas line.

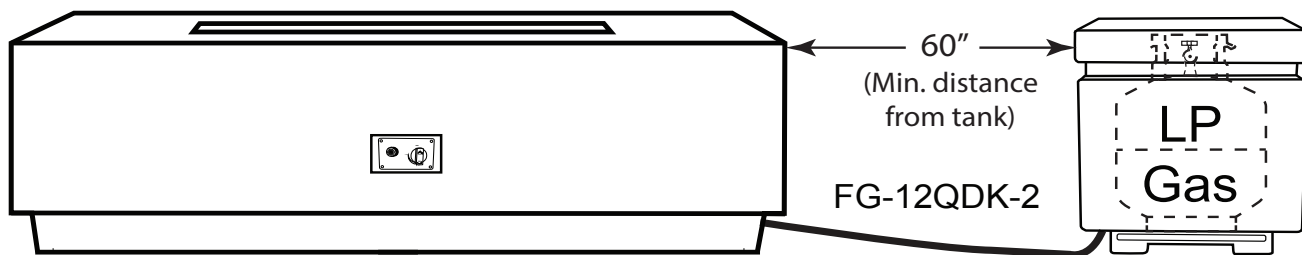
### **HARD PIPING TO FIRE FEATURE WITHOUT GAS PROXIMITY**

**NOTE:** Refer to the NFPA54 (National Fuel Gas Code) for proper pipe sizing. See gas line sizing chart on page 6 of this manual as a reference.

1. Turn **OFF** gas supply system. **NOTE:** All gas connections (except for brass to brass) require the following. Clean pipe threads using either a wire brush or steel wool. Apply pipe sealant to the fittings before making any connection.
2. **BE CAREFUL!** Ensure all gas connections are snug, but do not over tighten!
3. Consult a plumber for proper installation to ensure you are providing adequate gas supply for your application.
4. The primary gas shut-off (not supplied) will require a  $\frac{3}{8}$ " male flared fitting to enable connection of the stainless steel flex gas line supplied with the fire pit.

### **FLEXIBLE PIPING TO FIRE FEATURE**

1. Do not place an LP tank inside any fire feature enclosure. Locate all propane (LP) tanks outside the enclosure inside an approved separate enclosure a minimum of 60" from the Sanctuary 1. Flex line can run through any vent holes.
2. If using Propane gas an FG-LPRK regulator (not included) must be used and a FG-12QDK-2 quick disconnect kit (not supplied) enables the use of a Propane (LP) gas tank connection. See Fig. 4.



**Fig. 4** Shows gas line using an LP quick disconnect.

### **IMPORTANT**

Installation of Natural or LP gas should be done by a qualified installer, service agency or gas supplier. The appliance and its manual shutoff valve must be disconnected from the gas supply piping system during any pressure testing of the system at test pressures in excess of  $\frac{1}{2}$ " psig (3.5kPa). This appliance must be isolated from the gas supply piping system by closing its manual shutoff valve during any pressure testing of the gas supply piping system at test pressures equal to or less than  $\frac{1}{2}$ " psig (3.5kPa)

# GAS PIPE SIZING CHART

## NATURAL GAS : PIPE SIZING CHART

Length of Pipe in Feet	1/2"	3/4"	1"	1 - 1/4"	1 - 1/2"	2"	2 - 2 1/2"	3"	4"
10	108	230	387	793	1237	2259	3640	6434	-
20	75	160	280	569	877	1610	2613	5236	9521
30	61	129	224	471	719	1335	2165	4107	7859
40	52	110	196	401	635	1143	1867	3258	6795
50	46	98	177	364	560	1041	1680	2936	6142
60	42	89	159	336	513	957	1559	2684	5647
70	38	82	149	317	476	896	1447	2492	5250
80	36	76	140	239	443	840	1353	2315	4900
90	33	71	133	275	420	793	1288	2203	4667
100	32	68	126	266	411	775	1246	2128	4518
125	28	60	117	243	369	700	1143	1904	4065
150	25	54	105	215	327	625	1008	1689	3645
175	23	50	93	196	303	583	993	1554	3370
200	22	47	84	182	280	541	877	1437	3160
300	17	37	70	145	224	439	686	1139	2539

- Natural Gas (NG) flow is given in thousands of BTU/hr. = 1 cubic foot of NG gas - 1000 BTU
- Nominal pressure at the burner for Natural Gas is 3.5" of water column. (Typical machine supply 5"-7")
- Pipe length must include additional length for all fittings. Add approximately 5 feet of pipe per fitting.
- Natural Gas Example: A machine with a burner that requires 440,000 BTU would need a 1 -1/4" pipe for a 20" long run.

## LIQUID PROPANE : PIPE SIZING CHART

Length of Pipe in Feet	1/2"	3/4"	1"	1 - 1/4"	1 - 1/2"	2"	2 - 2 1/2"	3"	4"
10	275	567	1071	2205	3307	6221	10140	17990	35710
20	189	393	732	1496	2299	4331	7046	12510	25520
30	152	315	590	1212	1858	3465	5695	10110	20620
40	129	267	504	1039	1559	2992	4778	8481	17300
50	114	237	448	913	1417	2646	4343	7708	15730
60	103	217	409	834	1275	2394	3908	6936	14150
70	89	185	346	724	1086	2047	3329	5908	12050
80	78	162	307	630	976	1811	2991	5309	10830
90	69	146	275	567	866	1606	2654	4711	9613
100	63	132	252	511	787	1496	2412	4281	8736
125	54	112	209	439	665	1282	2083	3618	7382
150	48	100	185	390	590	1138	1808	3210	6549
175	43	90	168	353	534	1030	1637	2905	5927
200	40	83	155	325	491	947	1505	2671	5450
300	37	77	144	303	458	887	1404	2492	5084

- Liquid Propane (LP) Gas flow is given in thousands of BTU/hr. = 1 cubic foot of LP gas - 2500 BTU.
- This chart refers to low pressure LP, after regulation, Standard nominal pressure at the burner for Liquid Propane Gas is 11" of water column.
- Pipe length must include additional length for all fittings. Add approximately 5 feet of pipe per fitting.
- LP Example: A machine with a burner that requires 440,000 BTU would need a 1" pipe for a 20' long run.

NOTE: The sizing charts above list the specific pipe sizes required for the amount of BTU's for a new gas line installations. If you are using an existing gas line you must take into consideration the existing gas line capacities to ensure you will have proper pressure. **This chart is for reference only, we recommend you consult with a Licensed Plumber/Gas Fitter or NFPA54 (National Fuel Gas Code - current edition) for more details.**

**Table 4** Gas Pipe Sizing Chart



# INSTALLATION REQUIREMENTS OF FIRE FEATURE

## REQUIREMENTS

1. Only non-combustible materials should come in direct contact with any part of the fire feature. If the area underneath should be a flat level combustible surface according to the clearances specified in this manual on page 5.
2. Refer to the NFPA54 (National Fuel Gas Code) for proper pipe sizing. See Table 4 on page 6.
3. Determine the model fire feature you are preparing to install (Refer to page 4).
4. Follow the local code requirements for the gas type being used. This fire feature should be installed in accordance with local codes and ordinances or in the absence of local codes, with the latest National Fuel Gas Code, ANSI Z223.1 NFPA54 or CSA B149.1, Natural and Propane Installation Code in Canada.
5. Fire features create high temperatures, it is very important to have any combustibles at a safe distance.
6. **NOTICE: Proper ventilation is built into the concrete fire feature. Do not bury or enclose or conceal the bottom of the fire feature into earth, other type media that could block ventilation necessary for this product.**
7. These fire features are designed for outdoor use only. Not approved for any indoor use.
8. This fire feature is designed to have lava rock or glass media completely covering the burner, so that the burner is not visible. Do not cover more than 1" above the top of the covered burner. When purchasing lava rock use minimum of 1 to 2-inch diameter as a base to fill the burner pan. **DO NOT COVER THE PILOT HOOD WITH ANY ROCK OR MEDIA.**
9. Gas lines and fittings must be installed in to the non-combustible structure. All gas connections must be leak tested before installation of the fire feature. Soapy water leak detection is required before regular use of the fire feature.
10. Do not use material that will absorb moisture over time and will not release this moisture quickly. Moisture can boil in this material and can rapidly break apart and cause damage or personal injury.
11. Never leave any other combustible material on top of the fire feature. This could cause unsafe operation of this system and damage to the component that will not be covered under our warranty.

## VENTILATION

Ventilation is built into the bottom of Sanctuary 1 fire feature. No additional vents are required. **WARNING: DO NOT BURY THE BOTTOM OF THE CONCRETE ENCLOSURE INTO EARTH OR OTHER TYPE OF MEDIA AND NEVER BLOCK THE VENTS. THIS WILL OBSTRUCT AIR FLOW VENTILATION, AND VOID FIREGEAR WARRANTY.**

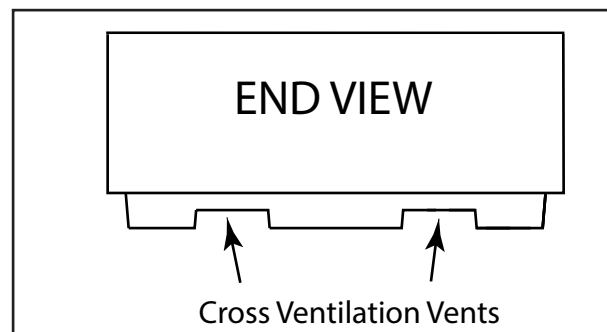


Fig. 5 Show vents under each end of Sanctuary 1.

## HIGH ELEVATION INSTALLATION

This appliance is listed for elevations from 0- 4500 feet in Canada and the U.S. If elevation exceeds 4500 feet it may be necessary to decrease the input rating by changing the existing burner orifice to a smaller size. Input should be reduced 4% for each 1000 feet beyond the 4500 feet above sea level. Check with your local gas utility for assistance in determining the proper orifice in your location. In some cases the heating value may already be reduced and downsizing the orifice may not be necessary. Refer to NFPA54 Table E.1.1(d) for high altitude orifice sizing.

## BURNER PAN PREPARATIONS

### Tools Required:

Phillips screwdriver  
Pliers  
Power screwgun with 1/4" hex tip.

**Step 1:** Remove the burner pan from the carton and install the inlet gas line to the gas valve. See Fig. 7.

**Step 2:** Pull the control knob off of the gas valve located on the control panel. See Fig. 7.

**Step 3:** Remove the black cap with red button off of the Piezo ignitor from the control panel. See Fig. 7.

**Step 4:** Remove the black plastic nut (use pliers if needed) from the Piezo ignitor securing it to the control panel. See Fig. 8.

**Step 5:** Remove the (4) Phillips screws securing the gas valve to the control panel. See Fig. 8.

**Step 6:** Set aside the control panel, four screws, control knob, black knob with red button and black plastic nut.

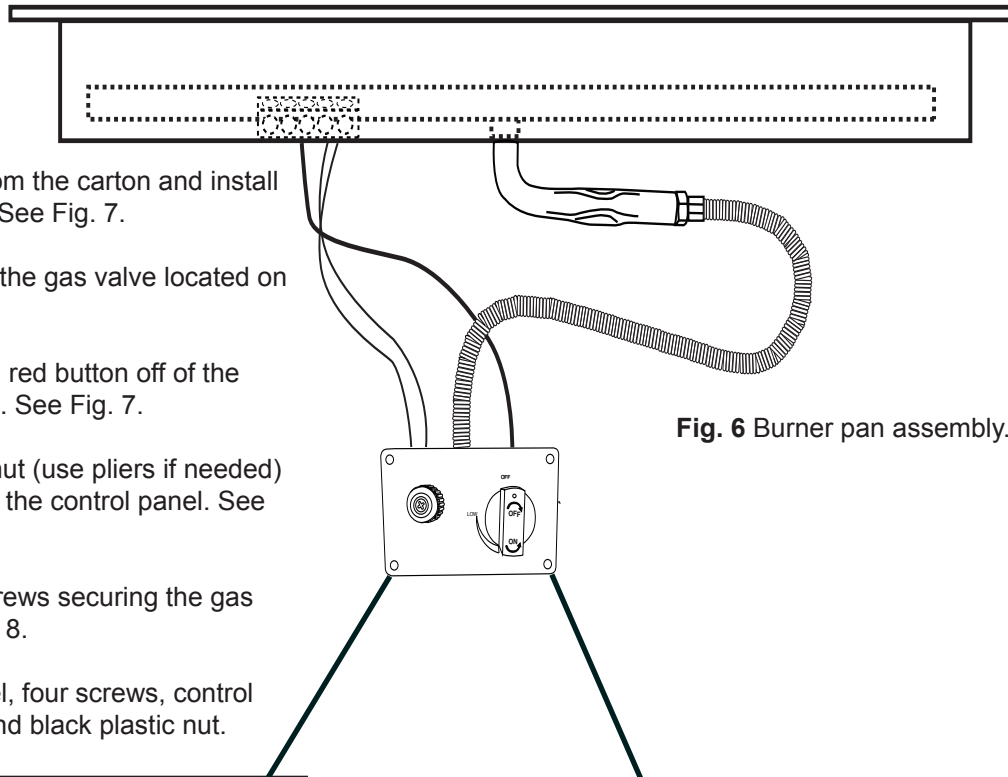


Fig. 6 Burner pan assembly.

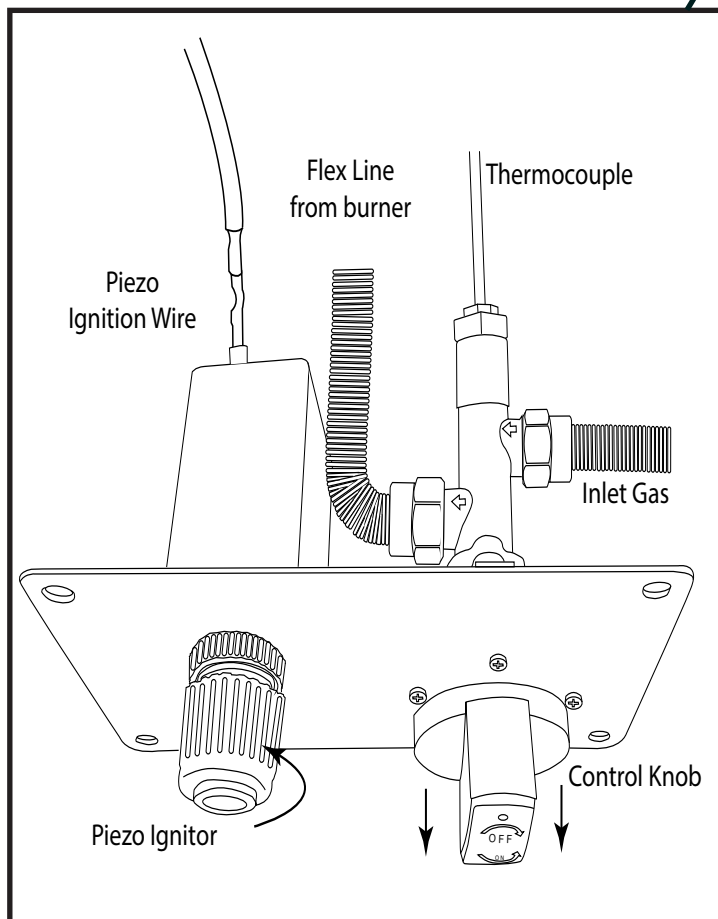


Fig. 7 Removing knobs from control panel.

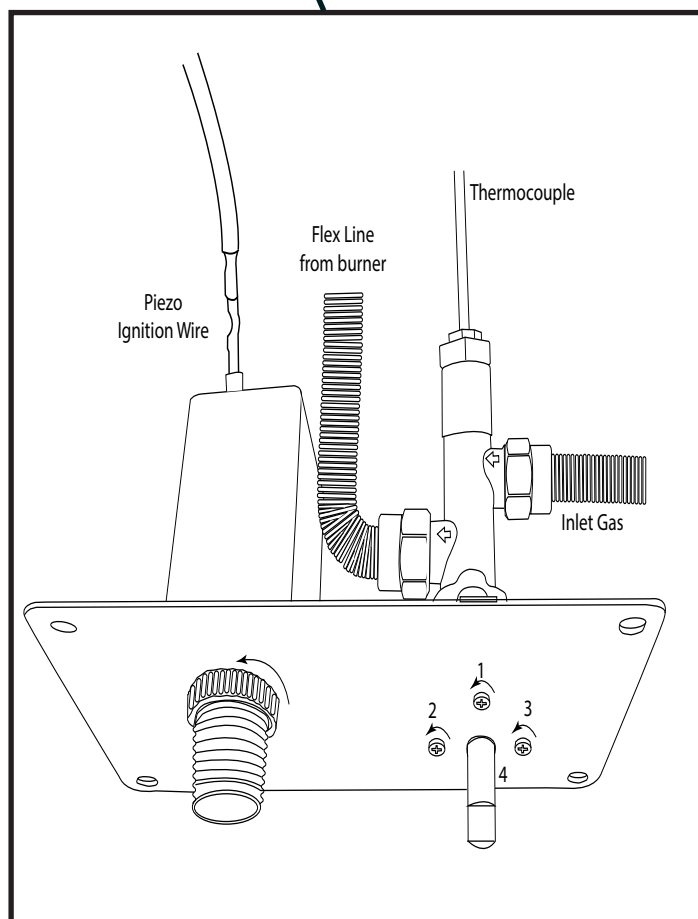


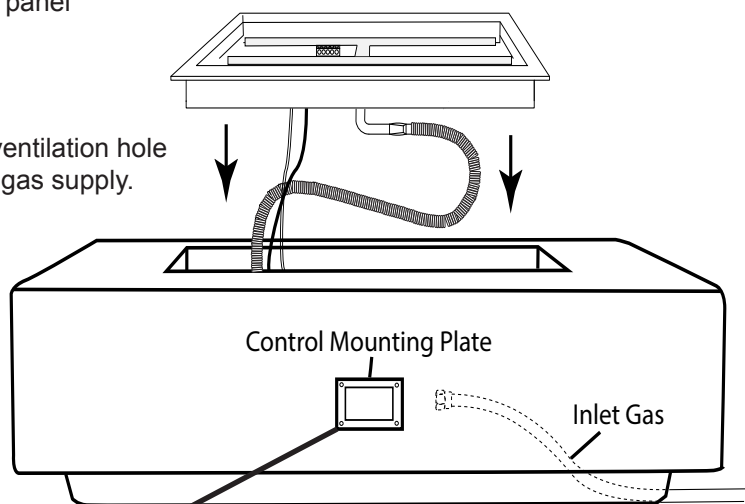
Fig. 8 Removing control panel plate.



## BURNER PAN INSTALL INTO ENCLOSURE

When installing the burner pan into the Sanctuary 1 you will need to feed the loose parts you disconnected from the control panel through the mounting plate hole first.

**Fig. 9** Shows inlet gas line through ventilation hole to provide primary gas as a optional gas supply.



**NOTE:** Gas shut-off is not supplied.

After removing the control panel plate as shown on page 8 carefully feed all the loose lines as shown in Fig. 9 inside the Sanctuary 1 and through the control mounting plate hole.

**Step 1:** Install the Piezo ignitor through the plate and secure with the black plastic nut.

**Step 2:** Install one AA battery into the Piezo ignitor with positive end first, then screw the black cap with red button on to the the Piezo ignitor. **Note:** If Piezo will not fit, rotate Piezo black box behind plate until clearance is provided.

**Step 3:** Align the gas valve to the plate and install the (4) screws removed earlier and snug into place.

**Step 4:** Install the control knob on to the gas valve stem.

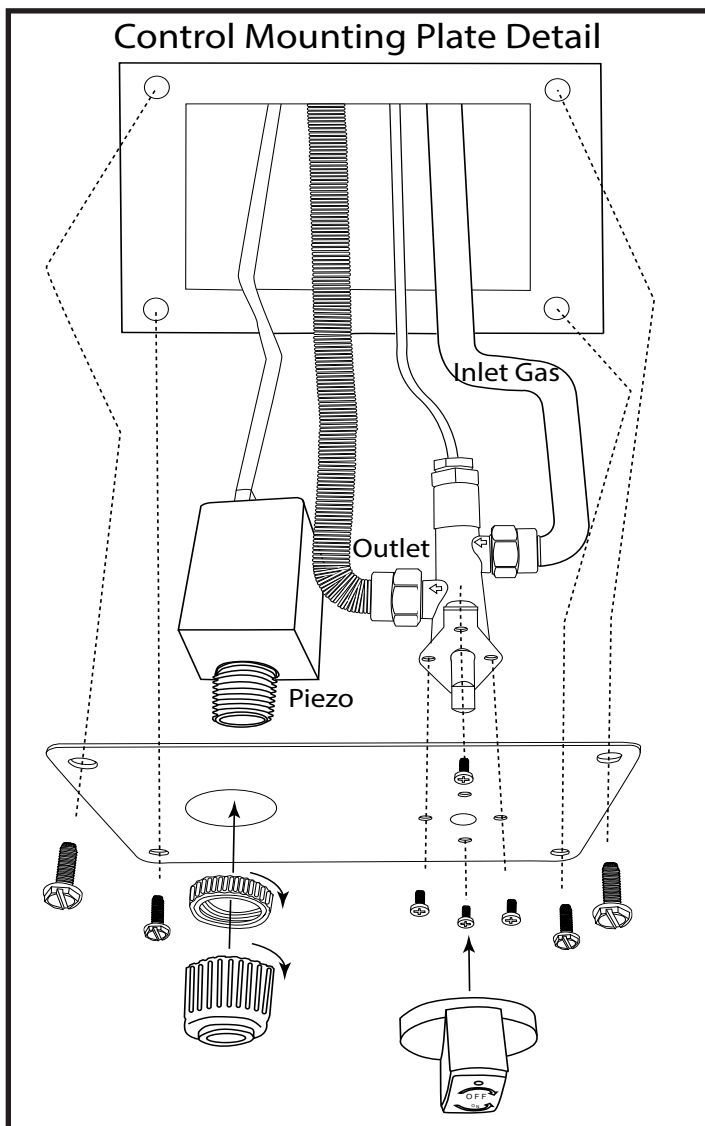
**Step 5:** Then install the completed control panel with the thread cutting screws into the Sanctuary 1 mounting bracket.

**Step 6:** Before mounting the plate into the Sanctuary 1 conduct a gas leak test to ensure no leaks are present.

**Step 7:** Secure the mounting plate with (4) thread cutting screws using power screwdriver. Careful not to strip plate.

The burner pan will rest on inside lip of the Sanctuary 1 fire feature. Ensure it is centered side to side and end to end. Gravity and media will hold it into place.

**Note:** Ensure thermocouple wire and Piezo wires do not touch bottom of burner pan. Leave approximately 3-4 inches or more of air space from the burner pan.



**Fig. 10** Shows derail of reattaching the control panel plate.

## INSTALLATION OF MEDIA

This fire feature can use lava rock or glass media to cover the burner pan. See Section 1 to install lava rock or Section 1 to install glass media.

### 1. INSTALLATION OF LAVA ROCK INTO BURNER PAN

Install lava rock into the burner pan. Ensure the lava rock is a 1 to 2 inches in diameter for proper operation. **Note:** Do not pour lava rock directly from bag due to the dust that can collect in the bag. It should be placed naturally and NOT packed in tight. Loose fitting is important to ensure robust flames. Be sure rocks are free of any excessive dust. This prevents the burner pan weep holes from being plugged and holding water. **IMPORTANT: Do not place lava rock over top or under the pilot hood.** The pilot hood/screen must be free of any media to ensure proper lighting of burner and good flame sense (See Fig. 5).

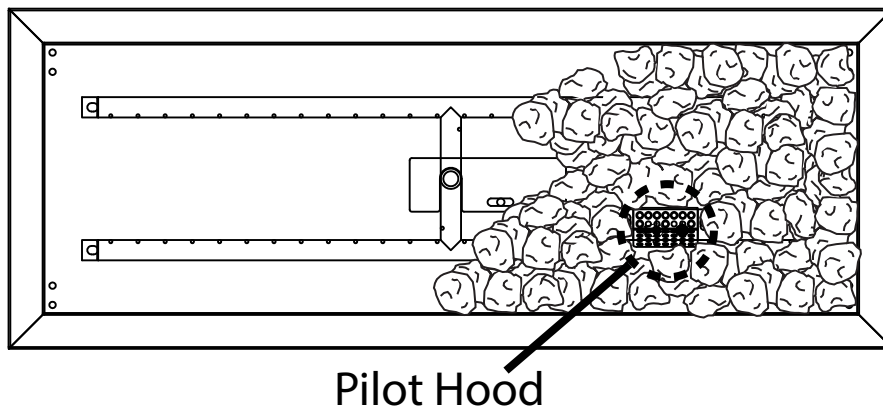
Cover the burner completely with media but do not make the depth greater than 1-inch overtop of the burner portholes.

Do NOT cover the pilot hood/screen with any rock or glass. It must be free of any media to operate properly.

### 2. INSTALLATION OF GLASS MEDIA INTO BURNER PAN

Install glass media (Fireglass) into the burner pan. Ensure the media is  $\frac{1}{2}$ " to  $\frac{3}{4}$ " in size. Carefully pour it into the burner pan. Cover the burner completely with media but do not make the depth greater than 1-inch overtop of the burner portholes. **IMPORTANT: Do not place media over top or under the pilot hood.** The pilot hood/screen must be free of any media to ensure proper lighting of burner and good flame sense (See Fig. 11).

Do NOT cover the pilot hood/screen with any glass. It must be free of any debris to operate properly.



**Fig. 11** Proper media placement not covering pilot hood shown in dotted area.

**Note:** You can cover the entire lip of the burner pan with media to hide the burner pan, if so desired. Remember not to cover the burner tube greater than 1" of media and never obstruct the pilot hood.

Firegear Fireglass	Lava Rock	Lava Stones
27lbs	17lbs	34lbs

**Table 5** Media requirements for the LOF-30LHTMSI-N.

Firegear Media comes as follows: Fireglass is available in 5lb bags. Lava Rock is available in 10lb bag or 50lb bag and Lava Stones comes in 50lb bag only.

## OPERATION

**CAUTION:** Children and adults should be alerted to the hazards on high surface temperatures and should stay away to avoid burns or clothing ignition. Young children should be carefully supervised when they are in the area of the appliance.

**WARNING:** Do not use this appliance if any part has been under water. Immediately call a qualified service technician to inspect the appliance and to replace any part of control system and any gas control, which has been under water.

### SAFETY WARNINGS

1. Never leave the fire feature unattended during operation.
2. Clothing or other flammable materials should not be placed on or near the appliance.
3. Any guard or other protective device removed for servicing the appliance must be replaced prior to operating the appliance.
4. Installation and repair should be done by a qualified service person. The appliance should be inspected before use and at least annually by a qualified service person. More frequent cleaning may be required as necessary. It is imperative the control compartment, burners and circulating air passageways of the appliance be kept clean.
5. Inspect the fuel supply connection before each use of the appliance.
6. Temporary storage of this appliance indoors is permissible only if it has been disconnected from its fuel supply (Natural or L.P. gas line).

### WARNING

1. This appliance is hot when operated and can cause severe burns if contacted.
2. Do not burn any solid fuels in this appliance.

This Sanctuary 1 fire feature is only intended to operate in temperatures above 32°F.

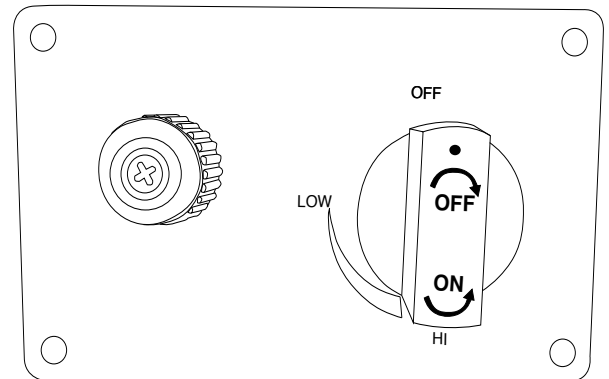
## LIGHTING INSTRUCTIONS

### **READ ALL WARNING AND SAFETY INFORMATION ABOVE BEFORE ATTEMPTING TO LIGHT FIRE FEATURE**

**CAUTION:** Ensure you have leak tested the fire pit before operating.

### **TURNING ON FIRE FEATURE**

1. Slightly push inward and turn control knob to HI position and release knob (See Fig. 12).
2. Press RED ignitor button inward (sparking in burner pan should occur) then press control knob inward at the same time and hold. Gas should ignite within 10-15 seconds.
3. After 45 seconds release the control knob. **Note:** If burner does not light or stay ON, wait 5 minutes and repeat.
4. Adjust flame to desired flame height with the control knob.



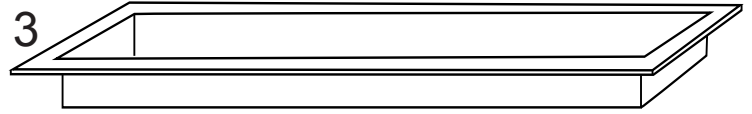
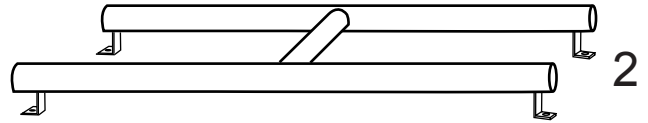
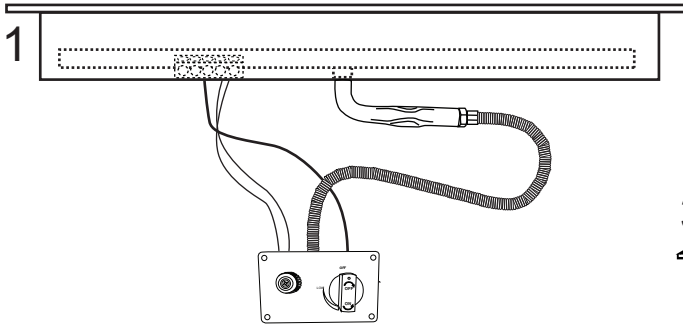
**Fig. 12** Control panel with Piezo.

### **TURNING OFF FIRE FEATURE**

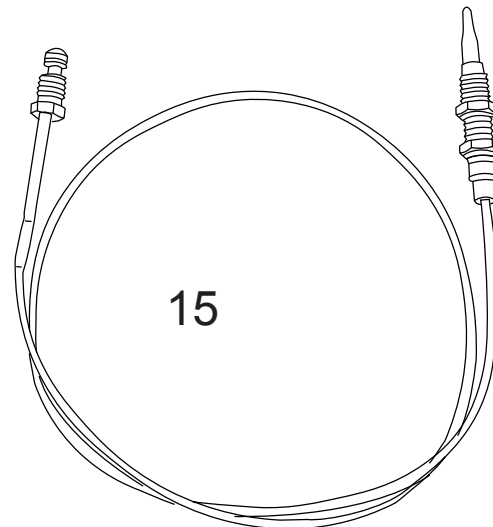
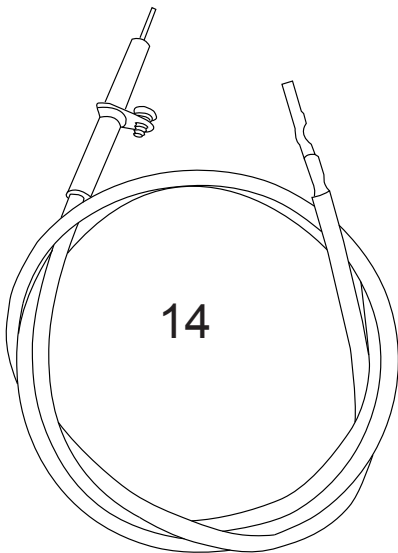
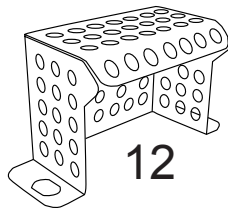
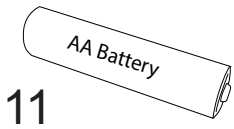
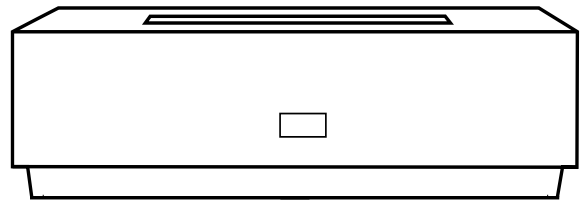
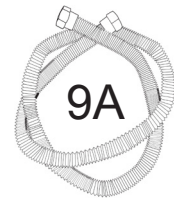
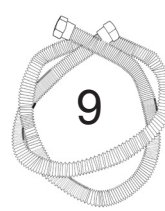
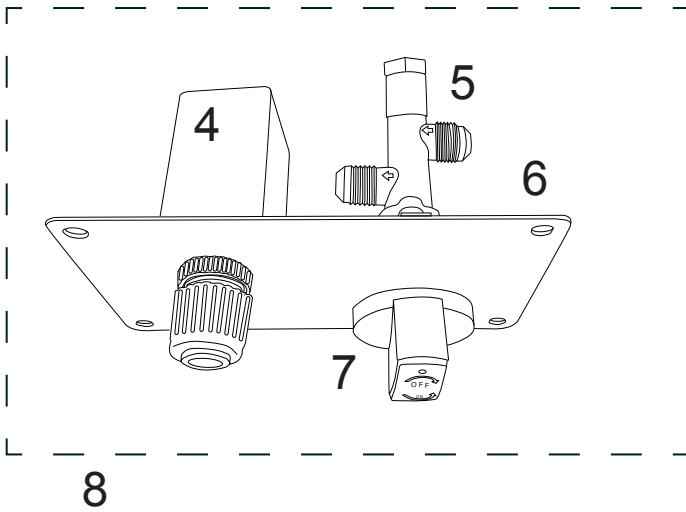
Push control knob inward and turn clockwise until fire pit shuts OFF. Wait 5 minutes to relight.

1. After fire pit cools down install cover/lid if applicable.

# SANCTUARY 1 REPLACEMENT PARTS



Drawings No to Scale



## SANCTUARY 1 REPLACEMENT PARTS LIST

Item	Description	Qty.	Part Number
1	30" Complete H-burner assembly	1	LOF-30LHTMSI-N
2	30" H- Burner only	1	FG-H-30SS
3	30" H-Burner pan only	1	PAN-SS3010L
4	Spark Ignitor Assembly (includes items # 14)	1	FG-SPARK-IGN
5	Manual gas valve	1	FG-GASVALVE-1
6	Control panel plate only	1	FG-CONTROL-FP
7	Gas control knob only	1	FG-CONTROL-KNOB
8	Control panel (includes items # 4, 5, 6, 7,11, 14, 15)	1	FG-CONTROLPANEL
9	Flex line (3/8" OD (1/4" ID) with 3/8" flare nuts) 28" long	1	T100-9898-28
9A	Flex line (3/8" OD (1/4" ID) with 3/8" flare nuts) 46" long	1	T100-9898-46
10	#8-18 x 1/2" Stainless Hex Screw (used with mounting plate)	4	SAN-CP-SCREWS
11	AA battery	1	BATTAA
12	Pilot Hood	1	FG-IGNITION-HOOD
13	Sanctuary 1 (56" x 38" x 16" rectangular enclosure)	1	SANCTUARY1
14	Ignitor - Ignitor & wire	1	FG-IGNITORWIRE
15	Thermocouple only	1	FG-TC-1
16	LP Conversion kit for (for all 30" & 36" models) not shown	1	LOF-BO-LP40

## TROUBLE SHOOTING

Symptom	Remedy
Fire pit won't light	<ol style="list-style-type: none"> <li>1. Bleed gas line.</li> <li>3. Ensure all gas supply lines are turned ON.</li> <li>4. Ensure there is not too much media overtop of burner; it can inhibit gas from flowing.</li> </ol>
Low Flame	<ol style="list-style-type: none"> <li>1. Ensure the base media is at least 1-inch in diameter and top media is no more than 1-inch over top of burner.</li> <li>2. Ensure all shut-off valves and valve is fully open.</li> <li>3. Check for spider webs inside burner orifice.</li> </ol>
Water in my fire pit	<ol style="list-style-type: none"> <li>1. Excess dust/sand material from media may be blocking the weep holes to relieve water. Remove all media and unplug weep holes. Clean or install new media free of dust and dirt.</li> <li>2. Ensure fire pit enclosure has proper drainage for water and proper ventilation to dry out.</li> <li>3. Recommend to purchase a cover/lid to keep excessive water out of the fire pit.</li> </ol>
Whistling Noises	<ol style="list-style-type: none"> <li>1. STOP - TURN OFF GAS SUPPLY: Check for loose fittings and gas leaks.</li> <li>2. Check media to ensure it is not too tightly packed around the burner tube.</li> <li>3. Ensure a non-whistling flex connector is being used.</li> </ol>
Fire pit won't stay lit	<ol style="list-style-type: none"> <li>1. Check alignment of thermocouple over rainshield on page 10, Fig. 7.</li> <li>2. Ensure thermocouple is not screwed too tight into gas valve. It should be finger tight plus a quarter turn with a wrench.</li> <li>3. Ensure thermocouple is clean and free of any debris. Excessive soot can be an issue.</li> </ol>

## BURNER MAINTENANCE

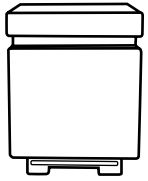
1. These fire features should be inspected and cleaned before initial use at least annually by a qualified field service person.
2. Any component that is found faulty must be replaced with an approved component.
3. Any tampering or modifying with the fire feature is dangerous and voids all warranties.
4. During winter months in cold climates and various seasons operation the fire feature may be affected by weather conditions. It is recommended to use a cover/lid overtop of your fire feature to protect it from humid/rainy weather conditions when not in use. Heavy rains/downpours could affect the fire feature operation if not covered; if this occurs ensure you allow the fire feature time to dry out before attempting to operate. **NOTE:** If a combustible type cover is used over the fire feature when not in use be sure to remove it before operation to prevent a severe safety hazard.
5. Over time stainless steel parts can discolor when heated, usually a golden or brown hue. This discoloration is normal and does not affect the performance of the appliance.
6. It is imperative to keep the control panel and burner and vent air passages clean and free.
7. Periodically, check the hose connecting the Propane gas tank to ensure it is not cracked or damaged in any way.
8. Inspect and clean burners periodically checking for spiders and insects that can nest and block burners or airflow to the enclosure.
9. When the fire feature is not in use, turn OFF the gas supply at the source.

## GFRC MAINTENANCE

- To care for your GFRC (Glass Fiber Reinforced Concrete) product, please utilize careful judgment. It is a durable and forgiving material, but that does not mean you can expose it to harsh chemicals or mechanical cleaning methods which could damage the outer finish. Instead, we recommend you use a soft brush with natural or synthetic bristles, utilizing very light pressure and water to clean the concrete items.
- Concrete by nature, is a porous material and therefore, susceptible to staining. In addition, over time it will age sometimes changing the color just as the common household driveway will. Sealing of products is always recommended to protect the original appearance. Our products are sealed prior to shipment but the continued care and resealing of the product will be needed every 4-5 years to protect the appearance.
- With a concrete sealant, your concrete will look great and natural for many occasions. Prolonged contact with overly acidic, heavily pigmented or alkali substances should be avoided. We recommend cleaning any spills as quickly as possible. Take caution against use of caustic acids to clean or resurface concrete products. Such caustic acids have historically been used to clean pools, sidewalks or other porous concrete surfaces. These acids will etch the surface and change the structure of the concrete at the surface level. Our concrete is made to have a denser and cleaner look; such etching from caustic acids will change that clean, smooth finish.
- **DO NOT USE HARSH ABRASIVE CLEANERS, ACIDS, PIGMENTED CLEANERS OF ALKALI SUBSTANCES ON CONCRETE PRODUCTS.** While for many applications it MAY be safe to use muriatic acid/hydrochloric acid or sulfuric acid, or other strong chemicals to clean concrete, DO NOT use these cleaners to clean the items we sell made from reinforced concrete. This WILL damage the beautiful finish on the outside of the concrete. Such chemical cleaners are not applicable for use on this type of material.
- Additionally, we do not recommend using high-pressure cleaning, as this could remove the sealed finish. Using a garden hose will be enough pressure to clean the concrete. For normal spills, a quick wipe up and gentle "scrub" with a cotton cloth or similar, should be enough to clean. For stains, which contain dark colors or have been sitting for an extended period of time, you can use a mild soap. Under extreme cleaning needs, you can use a standard mild household chlorine bleach, available in most retail stores, diluted to a very weak mixture of about 1/4 cup bleach to 1 gallon of water. Use this mixture over the entire surface you wish to clean, to ensure even cleaning. Only do this as a last resort as it could change the appearance of the product.
- Please also note that fissures (hairline cracks) can appear on the surface due to age and/or exposure to the atmospheric conditions. These commonly don't have an effect on durability and do not compromise the structural integrity of the product.

## OPTIONAL ACCESSORIES

The following accessories are available from your local Firegear dealer/distributor.  
Each accessory comes with a separate installation manual. Read each instruction thoroughly before installing.

<u>LP Gas Regulator</u>	<u>Media</u>	<u>E-Stop</u>
<p>Gas regulator for LP gas installations. Rated @ 100,000 Btu's. <b>Model:</b> FG-LPRK</p> <p style="text-align: center;"><u>Flexible Gas Line</u></p> <p><math>\frac{3}{8}</math>" x 12' Quick disconnect flex gas line. Rated at 80,000 Btu's. Used with FG-LPRK <b>Model:</b> FG-12QDK</p> <p style="text-align: center;"><u>Flexible Gas Line</u></p> <p><math>\frac{1}{2}</math>" x 12' Quick disconnect flex gas line. Rated at 160,000 Btu's. Used with FG-LPRK <b>Model:</b> FG-12QDK-2</p> <p style="text-align: center;"><u>LP Conversion Kits</u></p> <p>LP Conversion Kit is for use with all models in this manual. <b>Model:</b> LOF-BO-LP40</p>	<p><i>Lava Stones</i> 1" to 2" size. (50lbs.) <b>Models:</b> FG-LS50</p> <p><i>Lava Boulders</i> 4" to 6" size (30lbs.) <b>Model:</b> FG-LB30</p> <p><i>Lava Rock</i> 1" to 2" size. <b>Models:</b> FG-LAVA50 (50lbs.) FG-LAVA-10 (10lbs.)</p> <p>See catalog for variety of glass media in various colors.</p> <p style="text-align: center;"><u>LP Tank Enclosure</u></p> <p>20" x 21<math>\frac{1}{2}</math>" tall concrete enclosure to hide 20# LP tank. Has removable lid. Can be used as an end table. Weighs 141lbs.</p> <p><b>Model:</b> SANCTUARY-LPTE</p> <div style="text-align: center;">  </div>	<p>Mechanical gas timer valve with emergency shut-off.</p> <p><b>Model:</b> ESTOP1-0H    1hr. timer <b>Model:</b> ESTOP2-5H    2.5hr. timer</p> <p style="text-align: center;"><u>Shut-Off Valves</u></p> <p><b>Model:</b> 01-387 <math>\frac{3}{8}</math>" OD Flare x <math>\frac{1}{2}</math>" FIP <b>Model:</b> 01-487 <math>\frac{1}{2}</math>" OD Flare x <math>\frac{1}{2}</math>" FIP <b>Model:</b> 01-266 <math>\frac{3}{8}</math>" OD Flare x <math>\frac{3}{8}</math>" OD Flare <b>Model:</b> 01-288 <math>\frac{1}{2}</math>" OD Flare x <math>\frac{1}{2}</math>" OD Flare</p>

**NOTE:** See the Firegear Outdoors catalog for other accessories also available.

**FOR TECHNICAL SERVICE, CALL: (855) 498-8324**

Firegear Outdoors  
9230 Conservation Way  
Fort Wayne, IN 46809  
Sales: (888) 672-8929  
Sales Support: (888) 699-6167  
Canadian Inquires: (877) 472-3923

**Web Site:** [www.firegearoutdoors.com](http://www.firegearoutdoors.com)



## LOF-BO-LP40 (Natural to LP Gas Conversion)

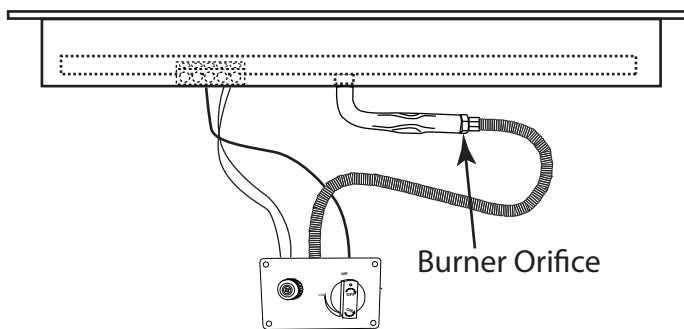
This instruction will properly convert the fire pit from Natural gas to Propane (LP) gas. Follow the steps below to proceed. See Table 2 on page 5 for proper LP orifice.

**Step 1:** Shut OFF gas supply.

**Step 2:** Remove media from fire pit.

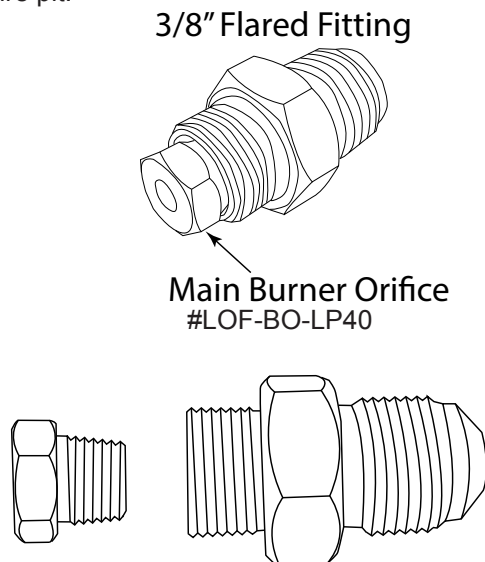
**Step 3:** Carefully lift fire pit out of the enclosure.

**Step 4:** Remove the 3/8" flex connector from the main burner orifice. See Fig. 1 for reference.



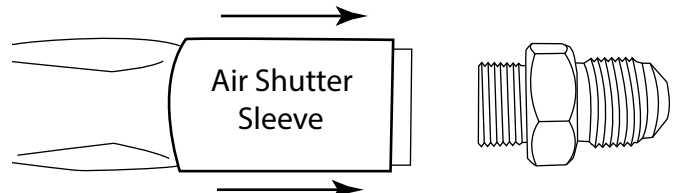
**Fig. 1** Shows main burner orifice location.

**Step 5:** Remove the flared fitting. Inside the end of the flared fitting is the main burner orifice. Remove the burner orifice and replace it with the new LP orifice for the correct model fire pit.

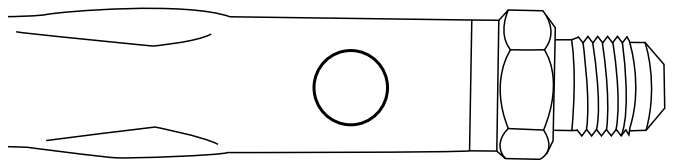


**Fig. 2** Shows main burner orifice.

**Step 6:** After the main burner orifice and brass fitting is removed then slide the air shutter sleeve off the burner tube and expose the hole for the LP gas (Figs. 3 & 4).



**Fig. 3.** Natural gas setting; air shutter sleeved installed.



**Fig. 4** LP gas setting; air shutter sleeved removed.

**Step 7:** Install the main burner orifice and brass fitting back into the burner tube.

**Step 8:** Reattach the 3/8" flex connector to the flared fitting.

**Step 9:** Reinstall media.

**Step 10:** Installation is complete. Reinstall the fire pit into the enclosure, turn ON the gas supply and conduct a leak test before presuming normal use with the fire pit.

**Note:** No Teflon tape or thread compound is required when threading brass to brass fittings.





## LIMITED WARRANTY

Skytech Products Group (Firegear Outdoors) hereby warrants to the end user that products will be free from material and workmanship defects that prevent safe and correct operation of the product. The warranty commences from date of sale to the end user for the following period:

### CONSUMER/NON-COMMERCIAL APPLICATIONS:

Stainless Steel Components	5 Years
Gas Valve, Spark Igniter & Electronic Parts	2 Years
Log Sets	3 Years
Glass Windshields	5 Years
Glass Media	1 Year
Controls	5 Years
AnF Enclosures	5 Years
GFRC (Glass Fiber Reinforced Concrete)	1 Year

Lava Rock and Lava Stones are not covered by warranty

### COMMERCIAL APPLICATIONS:

Stainless Steel Components	1 Year
Gas Valve, Spark Igniter & Electronic Parts	1 Year
Log Sets	1 Year
Glass Windshields	1 Year
Glass Media	1 Year
Controls	1 Year
AnF Enclosures	1 Year
GFRC (Glass Fiber Reinforced Concrete)	1 Year

Lava Rock and Lava Stones are not covered by warranty

End User must provide a bill of sale, canceled check, or payment record from the end user to verify purchase date and to establish warranty period. This Limited Warranty shall be valid and limited to the original purchaser only.

**WARNING** Any modification to the product will void the warranty.

This Limited Warranty shall be limited to the repair and/or replacement of parts that have proven to be defective under normal use and service. Before returning any parts, contact our Technical Service Department for a Return Materials Authorization (RMA) number. All warranty claims must be made by the OEM / Distributor / Dealer account on behalf of the end user. You may contact Technical Service at (855) 498-8324.

All approved returned defects must be confirmed by our Technical Service Department. If the defect is confirmed and we approve the claim, we will replace such parts without charge. This warranty gives you specific legal rights, and you may also have other rights, which vary from state to state.

Travel, diagnostic cost, service labor to repair the defect and freight charges on warranty parts to and from the factory will be responsibility of the owner. We will not be responsible for labor charges and/or damage incurred in installation, repair, and replacement.

This Limited Warranty is voided if not assembled, installed and operated as intended. This Limited Warranty does not cover any defects due to accident, abuse, misuse, alteration, misapplication, vandalism, improper installation or improper maintenance or service, removal from the original location or re- installation into another location, or failure to perform normal and routine maintenance.

Damage due to severe weather conditions such as hail, hurricanes, earthquakes, tornadoes, discoloration due to overheating, exposure to chemicals (including salt), either directly or in the atmosphere, or very high humidity, is not covered by this Limited Warranty.

There are no other express warranties except as set forth herein. For consumer applications, any applicable implied warranties of merchantability and fitness are limited in duration to the period of coverage of this Limited Warranty. Some states do not allow limitation on how long an implied warranty lasts, so this limitation may not apply to you.

For Commercial applications, the liability of Firegear Outdoors is limited to the express terms of this warranty. We expressly disclaim any and all implied warranties, including any warranties of fitness for a particular purpose or merchantability.

We are not liable for any special, indirect or consequential damages. Our maximum liability is limited to the purchase price of the purchased products. Some states do not allow the exclusion or limitation of incidental or consequential damages, so this limitation or exclusions may not apply to you.

We do not authorize any person or company to assume for it any other obligation or liability in connection with the sale, installation, use, removal, return, or replacement of its equipment; and no such representations are binding.

REV. 6/18





Having problems getting your Firegear Outdoors fire pit to operate?  
Don't leave the job site! We want to help! Call 855.498.8324  
for Technical Support between the hours of 8:00AM to 5:00PM EST.  
*Text photos to 260.255.5750 or e-mail photos to [support@skytechpg.com](mailto:support@skytechpg.com).*

**BEFORE YOU CALL WE WILL NEED THIS INFORMATION**

1. Model Number: \_\_\_\_\_
2. Serial Number: \_\_\_\_\_
3. How long is the gas line run? Nat Gas \_\_\_\_ LP Gas \_\_\_\_
4. What size is gas line? \_\_\_\_\_
5. Inlet Gas Pressure: \_\_\_\_\_ WC  
Manifold Gas Pressure: \_\_\_\_\_ WC
6. What type of media are you using? \_\_\_\_\_
7. Review the troubleshooting section in the installation manual.
8. What are the symptoms? Please be prepared to explain.
9. Be prepared to send photos to us when on the phone.
10. Missing or damaged parts? Let us know ASAP or send photos.