

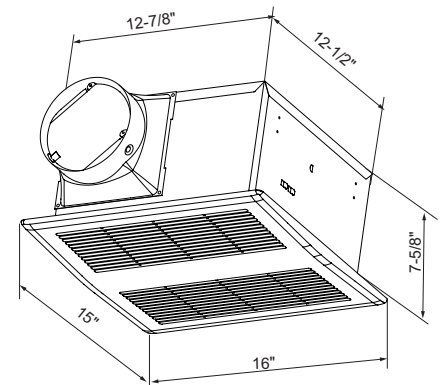


PCD200 - Premium Choice High Volume Fan with DC Motor

(Ceiling Mounted Ventilation Fans)

Performance & Dimensions

Static Pressure (inches w.g.)	0.1	0.25
CFM	220	189
Sones	2.5	N/A
Watts	31.3W	N/A
ENERGY STAR Qualified	Yes	
Duct Connector Diameter (in)	6"	
Grille Size (in)	15" x 16"	
Dimensions (w x d x h) (in)	12-7/8" x 12-1/2" x 7-5/8"	



CALGreen

Optional Accessories:

- Humidity Sensor

Typical Specifications:

Ventilating fan shall be S&P PCD200 mounted in the ceiling. The DC motor shall have a 6-year warranty, and the fan shall have a 5-year limited warranty. The fan shall be HVI Certified at 0.1 inch water gauge for CFM performance above. The motor shall be ETL and cETL Listed with impedance protection plus additional thermal protection. The fan shall be ENERGY STAR® Qualified.

Contact the factory for more information or additional submittal drawings. We are not responsible for fabrication changes or errors resulting from customer use of a non-current submittal drawing.

All specifications are subject to change without notice unless approved in submittal by S&P.
PCD200-Submittal_v.2 / 09-2018