

### PRODUCT SPECIFICATIONS

### TECHNICAL DATA



### DESCRIPTION

VENTS' TRV 150 DS Heat Recovery Ventilator is the complete whole house ventilation system designed to bring a continuous supply of fresh air into the house while exhausting an equal amount of stale air. Compact unit can be mounted in tight spaces.

Five year warranty.

### CASING

Steel casing is covered with high-quality multilayer aluminium and zinc alloy to prevent corrosion. The casing is equipped with switch to turn the ventilator off when the service panel is opened.

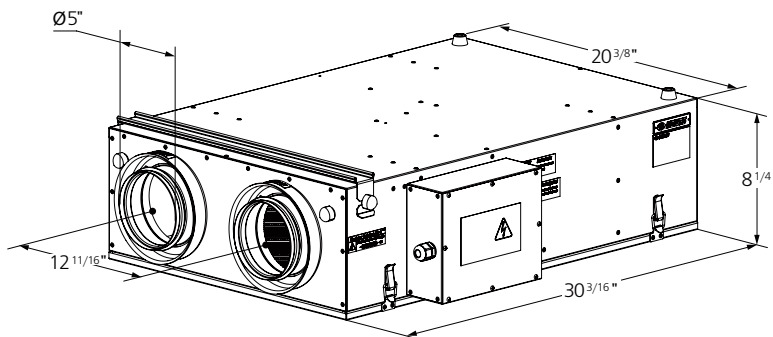
### AIR FILTRATION

Washable MERV6 air filters in exhaust and supply air streams. Optional supply: anti grease aluminum filter.

### HEAT RECOVERY CORE

Two aluminum cross-flow cores ensure the most efficient heat recovery.

### DIMENSIONS



### DEFROST SYSTEM

To protect the heat recovery core, the freezing electronic protection system is applied. It switches the supply fan off as the temperature sensor requires. Warm extract air defrosts the heat recovery core, then the supply fan switches on and the ventilator continues operating under rated conditions.

### FANS

German made high-efficient motor combined with backward inclined impeller delivers exceptionally powerful airflow and high static pressure. Built-in Thermal Overheating Protection with Automatic Restart makes the motor operation secure and reliable. Permanently lubricated ball bearings inside the motor provide long (40000 hours) trouble- and maintenance-free operation. The ventilator is equipped with supply and exhaust centrifugal fans with backward inclined blades and built-in thermal overheating protection with automatic restart. The electric motors and the impellers are dynamically balanced in two planes.

### CONTROL

The ventilator is designed for permanent low speed operation. High speed can be turned on and off with the external switch. Both low and high speed are adjustable. The ventilator's speed is controlled with a 3-step speed switch located on the ventilator's side panel: LOW mode - min. speed, MED mode - medium speed. In STANDBY mode the ventilator is controlled from the remote controller AC208EM2+LP (optional supply).



# TRV 150 DS

## HEAT RECOVERY VENTILATOR

**PRODUCT  
SPECIFICATIONS**

**TECHNICAL  
DATA**

### PERFORMANCE

Model	Volts	Max. Watts	Max. Amps	RPM	Airflow CFM (L/s)										Duct Dia.
					0,1" (25Pa)	0,2" (50Pa)	0,3" (75Pa)	0,4" (100Pa)	0,5" (125Pa)	0,6" (150Pa)	0,7" (175Pa)	0,8" (200Pa)	0,9" (225Pa)	1,0" (250Pa)	
TRV 150DS	120V, 60Hz	176	1.83	3040	158 (74)	150 (71)	143 (67)	136 (64)	129 (61)	123 (58)	115 (55)	108 (51)	99 (47)	89 (42)	5"

Model	Sensible efficiency(%) at			
	52 cfm	74 cfm	150 cfm	111 cfm
TRV 150DS	80	73	62	68

MODEL	QUANTITY	COMMENTS	PROJECT
			location:
			architect:
			engineer:
			contractor:
			submitted by:

Tel: 888-640-0925  
513-348-3853  
Fax: 513-268-4597

Sales@ventsus.com  
VentsUS.com  
11013 Kenwood Road, Cincinnati,  
Ohio 45242



2016-10