

DESCRIPTION

The VENTS VCN outdoor wall-mounted exhaust fan is ideal for residential and commercial applications where quiet and powerful exhaust is required and the space is limited. It allows powerful air extraction from one or more points and is suitable for connection to long duct runs. The external installation guarantees a noise-free solution for homes, offices and commercial facilities. The VENTS VCN series fans have been specifically designed for simple installation and many years of maintenance free operation.

Compatible with air duct of diameter from 4" to 8", with airflows ranging up to 306 CFM.

Five year warranty.

CASING

Fans have a casing made of steel with polymer coating and insect proof mesh.

The casing is removable for immediate access to the motor and wiring connections.

MOTOR

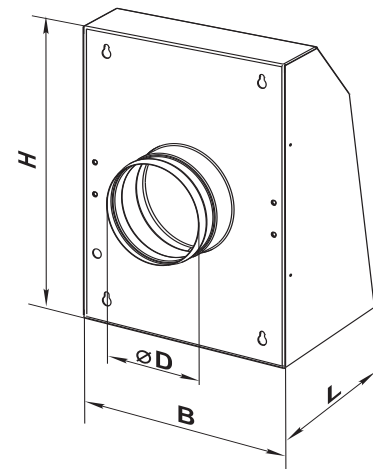
The external rotor single-phase asynchronous motor motor on ball bearings and the backward curved, balanced impeller ensure high pressure in ventilation ducts, prevent vibration and assure quiet operation. quiet operation.

SUITABLE FOR:

The external rotor single-phase asynchronous motor motor on ball bearings and the backward curved, balanced impeller ensure high pressure in ventilation ducts, prevent vibration and assure quiet operation.

DIMENSIONS

Model	Measurements [in.]				lbs
	ØD	H	B	L	
VCN 100	3 15/16"	14"	10 1/4"	5 7/16"	9.0
VCN 125	4 15/16"	14"	10 1/4"	5 7/16"	9.0
VCN 150	5 7/8"	15 3/4"	11 13/16"	5 7/16"	9.9
VCN 200	7 7/8"	15 3/4"	11 13/16"	5 7/16"	9.9





VCN

**PRODUCT
SPECIFICATIONS**

**TECHNICAL
DATA**

CENTRIFUGAL OUTDOOR FAN

PERFORMANCE

Model	Duct dia	CFM vs. Static Pressure (Ps) in WG					Sones	RPM*	Watts*
		0"	0.25"	0.5"	1.0"	1.5"			
VCN 100	4"	238	223	204	134	30	7.20	3100	108
VCN 125	5"	248	231	213	146	25	7.10	2950	108
VCN 150	6"	302	286	256	159	37	7.84	2250	109
VCN 200	8"	306	291	258	148	9	8.10	2300	106

* The parameters RPM, Watts are indicated at 0.2 in. WG static pressure.

MODEL	QUANTITY	COMMENTS	PROJECT
			location:
			architect:
			engineer:
			contractor:
			submitted by:

Tel: 888-640-0925
513-348-3853
Fax: 513-268-4597

Sales@ventsus.com
VentsUS.com
11013 Kenwood Road, Cincinnati,
Ohio 45242



2014/10