



### DESCRIPTION

VENTS AntiRADON fans are specially designed with high pressure capabilities for Radon Mitigation.

Compatible with  $\varnothing$  4", 5", 6", 8", 10" and 123/8" round air ducts.

The fans may be mounted to the walls with mounting brackets included with every fan.

Power Cord & Mounting Brackets are included for Easy Installation.

Five year warranty.

### CASING

Factory Sealed case, No Leakages, UV Resistant durable ABS plastic (UL94 certified plastic).

### MOTOR

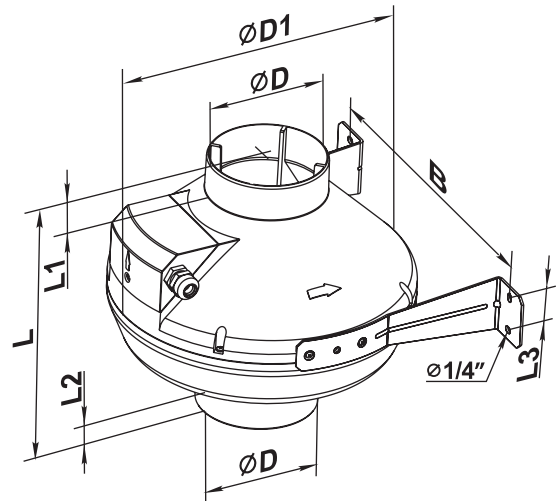
German Made High-Efficiency external rotor motor with a Dynamic Balanced Impeller for Long Lasting & Vibration Free operation.

Ball Bearings motor ensures Low-Noise and Maintenance-Free operation.

High efficiency backward inclined impeller delivers exceptional airflow and high static pressure.

### DIMENSIONS

Model	Measurements [in.]							lbs
	$\varnothing$ D	$\varnothing$ D1	B	L	L1	L2	L3	
VK-AntiRADON 100	3 15/16"	9 13/16"	10 5/8"	9 1/16"	1 3/16"	1 1/16"	1 3/16"	4.7
VK-AntiRADON 125	4 15/16"	9 13/16"	10 5/8"	8 11/16"	1 3/16"	1 1/16"	1 3/16"	4.9
VK-AntiRADON 150	5 7/8"	11 13/16"	12 3/16"	11 1/4"	1 3/16"	1 3/16"	1 3/16"	5.7
VK-AntiRADON 200	7 7/8"	13 3/8"	13 15/16"	10 7/8"	1 3/16"	1 3/16"	1 9/16"	8.8
VK-AntiRADON 250	9 13/16"	13 3/8"	13 15/16"	10 7/16"	1 3/16"	1 3/16"	1 9/16"	9.9
VK-AntiRADON 315	12 3/8"	15 3/4"	16 5/16"	16 5/16"	1 9/16"	2 3/16"	1 9/16"	11.2



Tel: 888-640-0925  
513-348-3853  
Fax: 513-268-4597

Sales@ventsus.com  
VentsUS.com  
11013 Kenwood Road,  
Cincinnati, Ohio 45242





# ANTIRADON

## PRODUCT SPECIFICATIONS

## TECHNICAL DATA

## CENTRIFUGAL FAN

### PERFORMANCE

Model	RPM*	Sones	Duct Dia	Watts*	CFM vs. Static Pressure (Ps) in WG					Max Ps	Volt / Hz
					0"	0.2"	0.5"	1.0"	1.5"		
VK-AntiRADON 100	3088	8.54	4"	106	162	150	134	104	67	2.18	120/60
VK-AntiRADON 125	2960	7.14	5"	114	235	214	178	123	72	2.05	120/60
VK-AntiRADON 150	2907	7.16	6"	113	317	289	247	178	68	1.86	120/60
VK-AntiRADON 200	3016	8.10	8"	140	507	465	395	287	189	2.20	120/60
VK-AntiRADON 250	2604	10.20	10"	293	735	675	588	432	307	3.06	120/60
VK-AntiRADON 315	2641	11.50	12 <sup>3/8"</sup>	269	871	779	635	393	266	2.66	120/60

\* The parameters RPM, Watts, Amps are stated in 0.2 in. WG static pressure.

MODEL	QUANTITY	COMMENTS	PROJECT
			location:
			architect:
			engineer:
			contractor:
			submitted by:

Tel: 888-640-0925      Sales@ventsus.com  
 513-348-3853      VentsUS.com  
 Fax: 513-268-4597      11013 Kenwood Road,  
 Cincinnati, Ohio 45242

