



Fresh air in your house!



VK PS Series *For Dryer Boost Application*

DRYER BOOSTER FANS



VENTS VK PS Series dryer booster fan has been specially designed to solve dryer vent problems where more airflow is needed. VK PS dryer booster fans make dryers run more efficiently, save energy by reducing drying time, and limit lint and moisture problems. The pre-installed pressure switch runs in 10 minute repeat cycles. Every 10 minutes the booster fan stops for 15 seconds. If the pressure still exists, another cycle begins. If the dryer stops during the cycle, the booster fan will complete the 10 minute cycle that it had started before the dryer stopped. The extra venting helps to keep the duct lint free and to clear any remaining moisture. The fans are fitted with backward curved centrifugal impeller, which prevents lint from getting stuck in the fan. Feature powerful sealed external rotor motor with lifelong bearings and thermal protection. This powerful combination enables the VENTS VK PS fans to deliver exceptional airflow performances even in long duct runs. Designed to vent up to 150 ft. duct work.

Applications

VK PS booster fans can be used to exceed the maximum 25 ft. and allow complex duct runs. The fan should be at least 15 ft. from the dryer as close as possible where the duct terminates. Installed closer than 15 ft. from the back of the dryer, the use of VENTS DLT454 Lint Trap is recommended as the fan could pull lint into the fan body causing clogging. Lint trap should be installed in the dryer duct just above the dryer. Please refer to the installation manual for the correct angle of pressure switch.

Benefits

- Installed Pressure Switch
- Ducts: 4", 5", 6"
- High static pressure applications
- Backward curved centrifugal impeller
- External rotor motor with thermal overload protection
- Ideal for long duct runs
- Vibration free operation
- Energy efficient
- Maintenance free
- Corrosion resistant
- UV resistant, UL94 certified plastic
- Pre-wired and supplied with mounting bracket for easy installation
- ETL listed



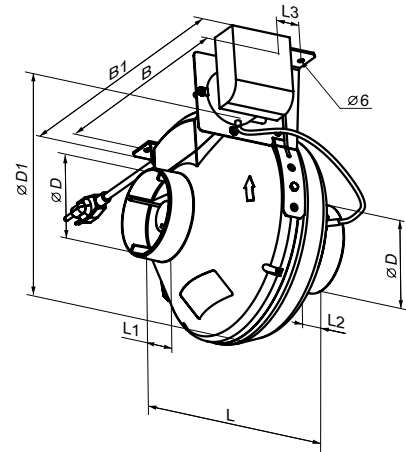
Tel: 888-640-0925
513-348-3853
Fax: 513-268-4597

Sales@ventsus.com
VentsUS.com
11013 Kenwood Road,
Cincinnati, Ohio 45242



Dimensions

Model	Measurements [in.]								lbs
	ØD	ØD1	B	B1	L	L1	L2	L3	
VK PS 100	3 15/16"	9 13/16"	10 5/8"	13 3/8"	9 1/16"	1 3/16"	1 1/16"	1 3/16"	4.7
VK PS 125	4 15/16"	9 13/16"	10 5/8"	13 3/8"	8 11/16"	1 3/16"	1 1/16"	1 3/16"	4.9
VK PS 150	5 7/8"	11 13/16"	12 3/16"	13 3/8"	11 1/4"	1 3/16"	1 3/16"	1 3/16"	5.7
VK PS 200	7 7/8"	13 3/8"	13 3/4"	16 3/4"	10 7/8"	1 3/16"	1 3/16"	1 9/16"	9.5
VK PS 250	9 13/16"	13 3/8"	13 3/4"	16 3/4"	10 3/8"	1 3/16"	1 3/16"	1 9/16"	9.5
VK PS 315	12 3/8"	15 3/4"	16 5/16"	19 5/16"	10 15/16"	1 1/2"	2 3/16"	1 9/16"	10.8



Performance

Model	Duct dia	Sones	RPM*	Watts*	CFM vs. Static Pressure (Ps) in WG										Volt / Hz
					0"	0.125"	0.2"	0.25"	0.375"	0.5"	0.75"	1.0"	1.25"	1.5"	
VK PS 100	4"	8.5	3088	106	162	155	150	147	141	134	120	104	87	67	120 / 60
VK PS 125	5"	7.1	2960	114	235	222	214	207	193	178	151	123	99	72	120 / 60
VK PS 150	6"	7.2	2907	113	317	300	289	282	265	247	212	178	132	68	120 / 60
VK PS 200	7 7/8"	8.1	3016	140	507	481	465	455	423	395	343	287	238	189	120 / 60
VK PS 250	9 13/16"	10.2	2604	293	735	699	675	658	625	558	507	432	369	307	120 / 60
VK PS 315	12 3/8"	11.5	2641	269	871	817	779	758	703	635	501	393	324	266	120 / 60

* The parameters RPM, Watts are indicated at 0.2 in WG static pressure.

Specification

Voltage: 120 V, 60 Hz

Motor: Single-phase external rotor motor with backward curved centrifugal impellers

Duct compatibility: Ø 4", 5", 6", 8", 10", 12 3/8"

Airflow capacity: up to 871 CFM

Sones: 7.1 – 11.5

Power consumption: 106 – 293 W

Suitable for working airstreams up to 149 °F

IPX4 protection

Thermal overload protection

Pressure switch, mounting bracket and power cord included

Five year warranty

Contacts

Tel: 888-640-0925

513-348-3853

Fax: 513-268-4597

Sales@ventsus.com

VentsUS.com

11013 Kenwood Road, Cincinnati, Ohio 45242

VENTS-US reserves the rights to modify any of its products features, designs, components, and specifications at any time and without notice to maintain the development and quality of manufactured goods.

