

## PRODUCT SPECIFICATIONS

## TECHNICAL DATA

## INLINE CENTRIFUGAL FAN



### DESCRIPTION

VENTS VKM inline centrifugal duct fans are designed for residential and commercial ventilation applications. The fan's housing is made of steel with polymer coating. The quiet and efficient backward curved impeller is capable of operating in high pressure systems. In-line configuration simplifies installation. All VKM models are designed for standard diameter round ducting. VENTS VKM inline duct fans can eliminate many ventilation problems. They are designed to boost airflow through long or complex duct runs and provide ideal solutions for residential and commercial applications. VENTS VKM sizes range from 4" to 12" with airflows ranging up to 985 CFM. The VKM series fans are specifically for simple installation and maintenance free operation. Five year warranty.

### CASING

Fans have a housing made of steel with polymer coating.

### MOTOR

Motors are supplied with automatic reset thermal protection and are equipped with ball bearings for longer service life (40,000 hrs).

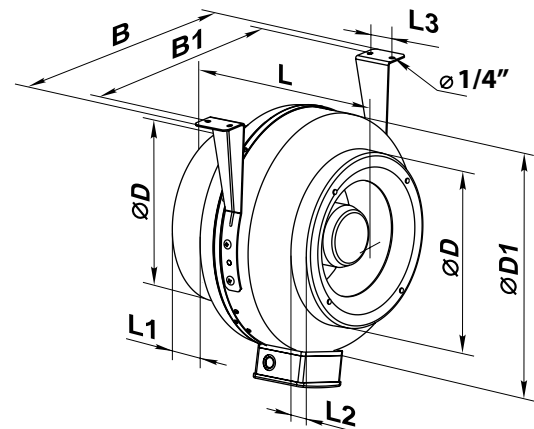
Suitable for air stream temperature from -13 °F to 105 °F.

### SUITABLE FOR:

Bathroom exhaust; kitchen ventilation; living area; whole house ventilation; workshops & smoking areas; offices; bars & restaurants; warehouses; duct boosting.

### DIMENSIONS

Model	Measurements [in.]									Duct dia
	Ø D	Ø D1	B	B1	L	L1	L2	L3		
VKM 100 E	3 15/16"	8"	-	-	7 11/16"	13/16"	13/16"	10 5/16"	4"	
VKM 100	3 15/16"	10"	11 3/4"	10 3/16"	8 1/16"	13/16"	1"	1 3/16"	4"	
VKM 125 E	4 15/16"	8"	-	-	7 11/16"	13/16"	13/16"	10 5/16"	5"	
VKM 125	4 15/16"	10"	11 3/4"	10 3/16"	8 1/16"	13/16"	1"	1 3/16"	5"	
VKM 150 E	5 7/8"	11 15/16"	13 3/4"	12 3/16"	8 11/16"	1"	1"	1 3/16"	6"	
VKM 150	5 7/8"	11 15/16"	13 3/4"	12 3/16"	8 11/16"	1"	1"	1 3/16"	6"	
VKM 200 E	7 7/8"	13 9/16"	15 3/8"	13 3/4"	9 7/8"	1"	1 1/8"	1 9/16"	8"	
VKM 200	7 7/8"	13 9/16"	15 3/8"	13 3/4"	9 7/8"	1"	1 1/8"	1 9/16"	8"	
VKMS 200	7 7/8"	13 9/16"	15 3/8"	13 3/4"	9 7/8"	1"	1 1/8"	1 9/16"	8"	
VKM 250 E	9 13/16"	13 9/16"	15 3/8"	13 3/4"	9 3/16"	1"	1 1/4"	1 9/16"	10"	
VKM 250	9 13/16"	13 9/16"	15 3/8"	13 3/4"	9 3/16"	1"	1 1/4"	1 9/16"	10"	
VKM 305 E	12"	15 7/8"	17 3/4"	16 5/16"	10 1/4"	15/16"	1 3/16"	1 9/16"	12"	
VKM 305	12"	15 7/8"	17 3/4"	16 5/16"	10 1/4"	15/16"	1 3/16"	1 9/16"	12"	
VKMS 305	12"	15 7/8"	17 3/4"	16 5/16"	10 1/4"	15/16"	1 3/16"	1 9/16"	12"	



Tel: 888-640-0925  
513-348-3853  
Fax: 513-268-4597

Sales@ventsus.com  
VentsUS.com  
11013 Kenwood Road,  
Cincinnati, Ohio 45242





# VKM

## PRODUCT SPECIFICATIONS

## TECHNICAL DATA

## INLINE CENTRIFUGAL FAN

### PERFORMANCE

Model	Current* [Amp]	Power* [W]	RPM*	Energy Star compliant	[Volts/Hz]
VKM 100 E	0.22	25	3084	Yes	120/60
VKM 100	0.90	108	3000	No	120/60
VKM 125 E	0.22	26	3084	Yes	120/60
VKM 125	0.97	112	2950	No	120/60
VKM 150 E	0.44	51	3036	Yes	120/60
VKM 150	0.90	110	2400	No	120/60
VKM 200 E	0.75	89	3288	Yes	120/60
VKM 200	1.63	195	2520	No	120/60
VKMS 200	2.14	240	2745	No	120/60
VKM 250 E	1.20	144	2832	Yes	120/60
VKM 250	1.95	232	2516	No	120/60
VKM 305 E	1.22	146	2772	Yes	120/60
VKM 305	2.10	244	2981	No	120/60
VKMS 305	2.42	272	2320	No	120/60

\* The parameters Volts, Watts, Amps are indicated at 0.2 in WG static pressure

Model	CFM vs. Static Pressure (Ps) in WG											Max Ps
	0"	0.125"	0.2"	0.25"	0.375"	0.5"	0.75"	1.0"	1.25"	1.5"	2.5"	
VKM 100 E	135	114	105	99	83	68	36	-	-	-	-	0.98
VKM 100	174	167	162	159	151	142	124	106	84	60	-	2.13
VKM 125 E	162	142	131	123	105	87	46	1	-	-	-	1.01
VKM 125	239	228	222	217	205	192	165	130	102	72	-	1.94
VKM 150 E	254	235	225	216	196	175	137	93	34	-	-	1.475
VKM 150	325	292	275	265	241	214	172	139	107	67	-	1.88
VKM 200 E	445	421	405	396	374	350	301	252	225	143	-	1.925
VKM 200	541	502	480	464	428	391	320	265	222	183	36	2.76
VKMS 200	657	640	632	625	608	590	550	498	434	370	112	2.80
VKM 250 E	680	655	631	610	587	535	426	323	284	194	-	2.375
VKM 250	678	638	613	599	550	479	408	340	292	248	90	3.00
VKM 305 E	695	650	625	610	575	520	405	315	248	180	-	2.30
VKM 305	784	756	738	727	698	669	611	542	480	428	168	3.25
VKMS 305	985	920	890	869	818	773	680	594	512	441	210	3.65

MODEL	QUANTITY	COMMENTS	PROJECT
			location:
			architect:
			engineer:
			contractor:
			submitted by:

Tel: 888-640-0925      Sales@ventsus.com  
 513-348-3853          VentsUS.com  
 Fax: 513-268-4597      11013 Kenwood Road,  
 Cincinnati, Ohio 45242

