

INSTALLATION GUIDE

INDUSTRIAL ELECTRIC AXIAL FANS

VKOM 150
VKOM 200
VKOM 250
VKOM 315



INSTALLATION

Tools required



Pencil



Drill

(Ø 8 mm for VKOM 150,200,250)

(Ø 10mm for VKOM 315)



Screwdriver



Dowel

(NTS 8/50 for VKOM 150,200,250)

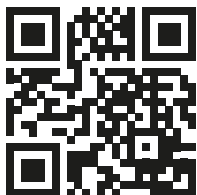
(NTS 10/60 VKOM 315)



Screws

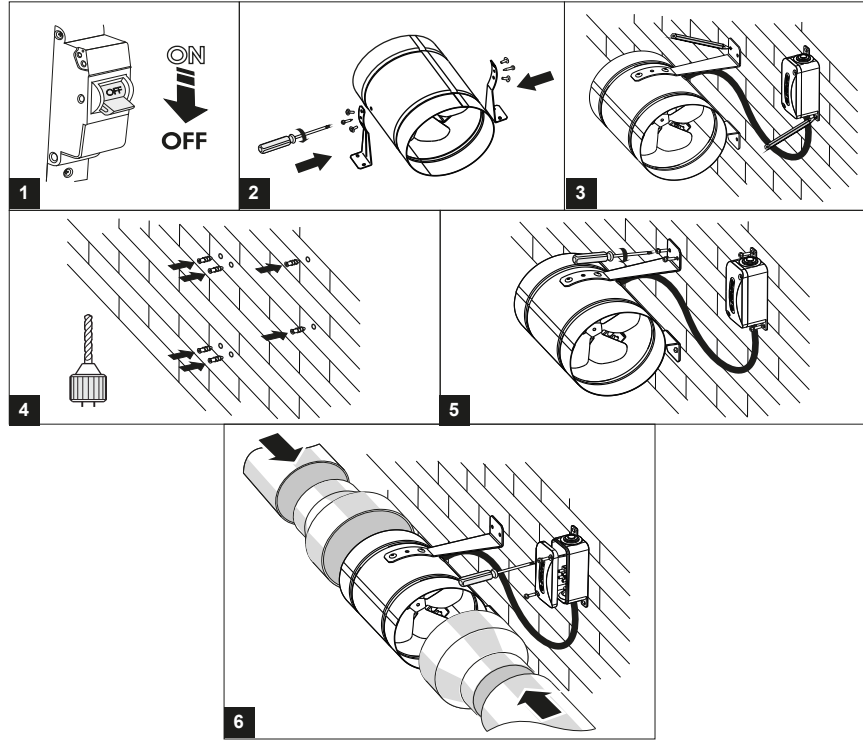
(5,0x50 mm
for VKOM 150,200,250)

(8,0x60 mm for VKOM 315)



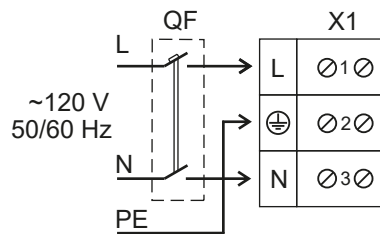
The VKOM fans are installed into air duct by means of an RM reducer which enables joining different diameter ducts. Once done, the assembly is secured with clamps. The VKOM delivery package includes mounting brackets for attaching the units to a wall. The power is supplied via the remote-position terminal box.

- 1) Disconnect the fan from power supply.
- 2) Deinstall the fixing brackets.
- 3) Mark holes on the wall.
- 4) Drill the holes and insert the expansion anchors.
- 5) Fix the fan.
- 6) Connect air ducts



The fan must be connected using durable, insulated and heat-resistant cables and wires. The external lead-in must be equipped with a QF automatic circuit breaker with a magnetic trip built into the stationary wiring capable of disconnecting all the phases. The location of the QF external circuit breaker must ensure free access for quick shutdown of the fan. The protection trip current must be consistent with the current consumption of the fan. The fans are connected to the power mains in accordance with the applicable wiring diagram.

Connection fans with single-phase motors to AC mains



- 1) Disconnect the fan from power supply.
- 2) Remove the cover from the terminal block. Remove the cable clamp.
- 3) Connect the cables according to the wiring diagram.
- 4) Install the terminal block cover

