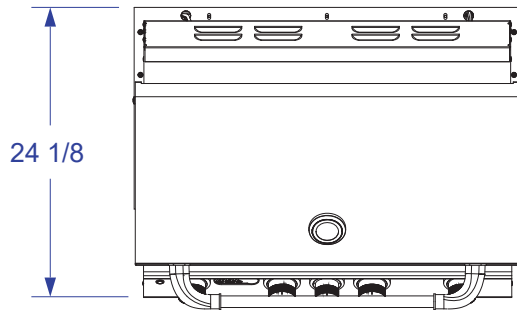
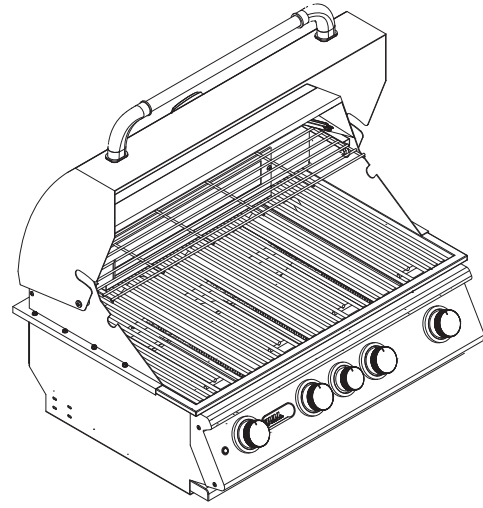




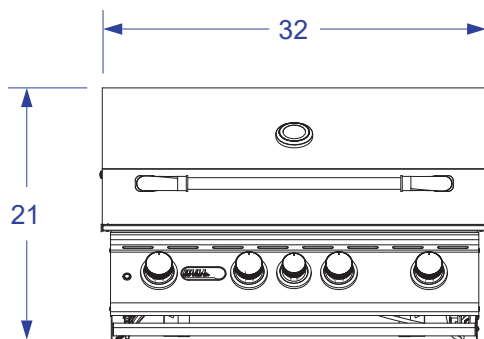
# ANGUS GRILL SPEC SHEET

ITEM# 47628 LP

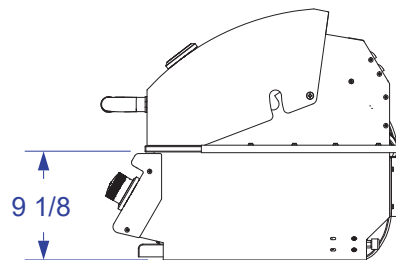
ITEM# 47629 NG



TOP



FRONT



RIGHT

**NOTES:**

1. CUTOUT DIMENSIONS: 31"W X 21"D X 9 1/2"H
2. ISLAND MUST BE CONSTRUCTED OF NON-COMBUSTIBLE MATERIAL.
3. SCALE: 3/4" = 1'-0"