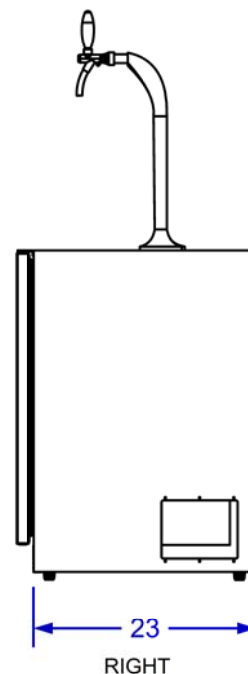
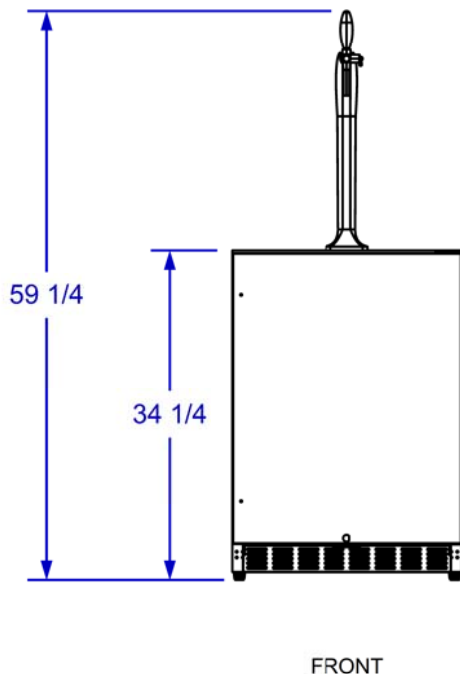
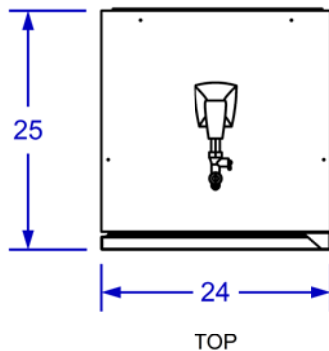
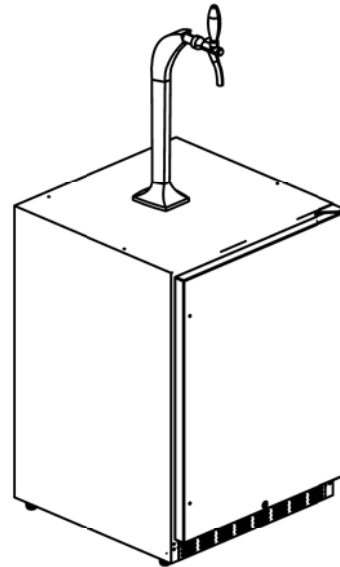




KEGERATOR

SPEC SHEET

ITEM# 17900



NOTES:

1. DIMENSIONS ARE IN INCHES
2. PACKAGED SHIP WEIGHT IS 145 lbs
3. CUTOUT DIMENSIONS FOR KEGERATOR: 34 3/4" H x 24 1/2"W x 25 1/2"D
4. CUTOUT DIMENSIONS FOR TAP: 1 1/2" DIA. HOLE, 15" FROM FRONT PANEL.