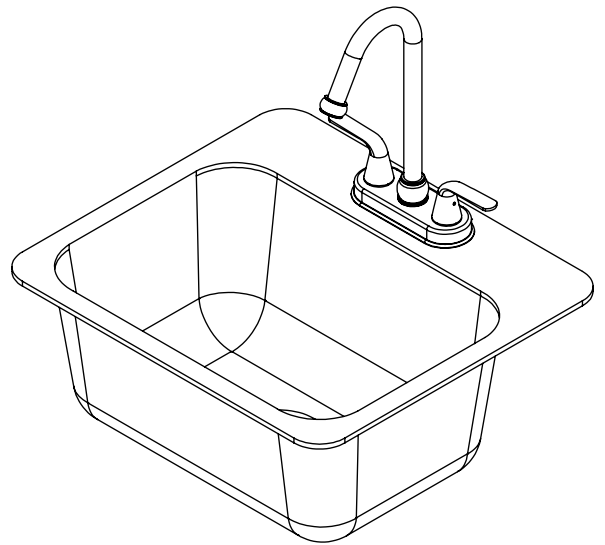
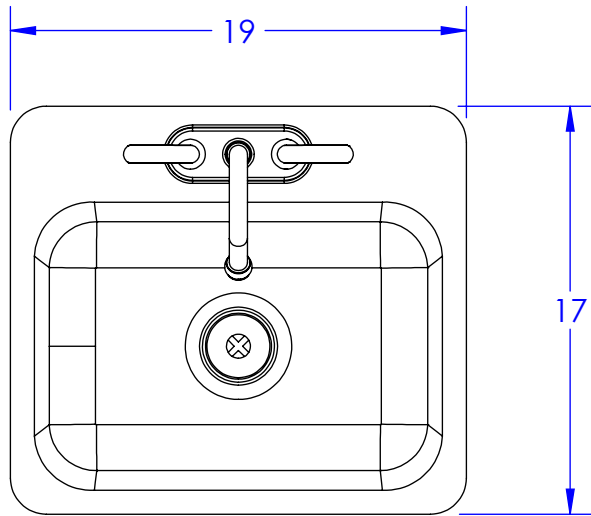




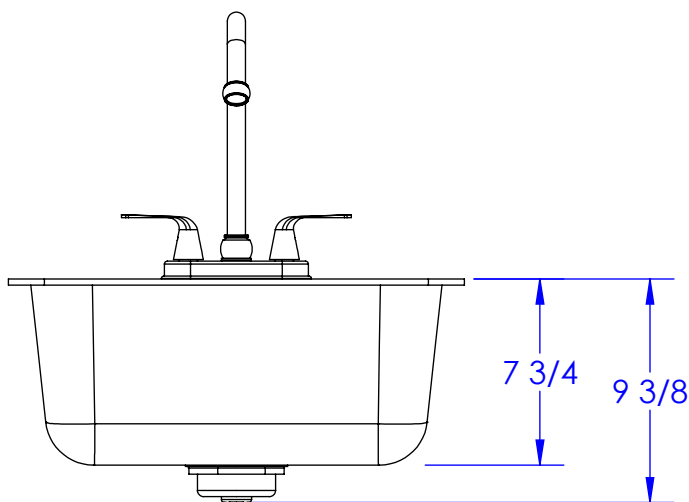
LARGE STAINLESS
STEEL SINK
SPEC SHEET
SKU #12391



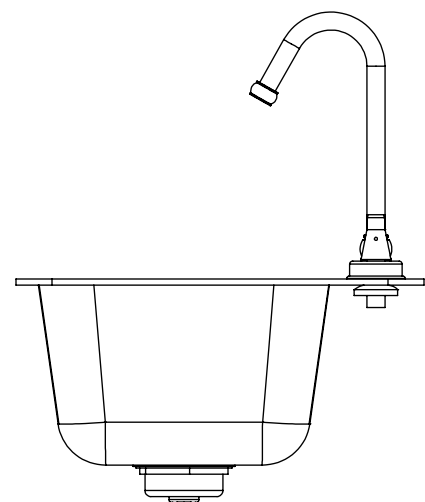
ISOMETRIC VIEW



TOP VIEW



FRONT VIEW



RIGHT SIDE VIEW

- NOTES:
1. CUTOUT DIMENSIONS: 18 1/8"W X 16 1/8"D X 9 1/2"H
2. SCALE : 1 1/2" = 1'-0"