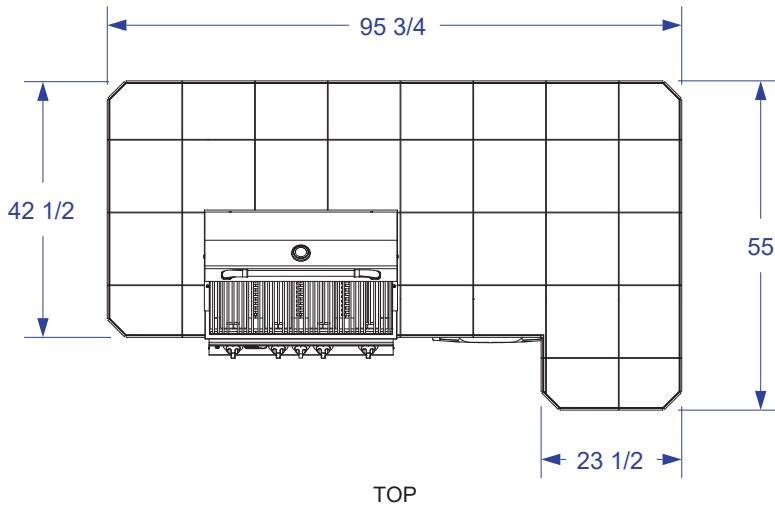
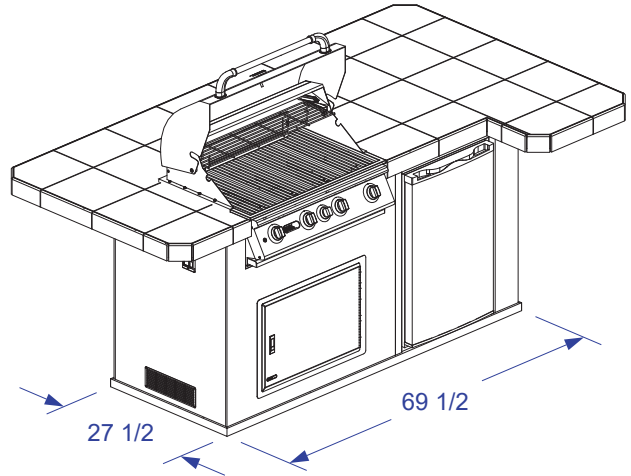
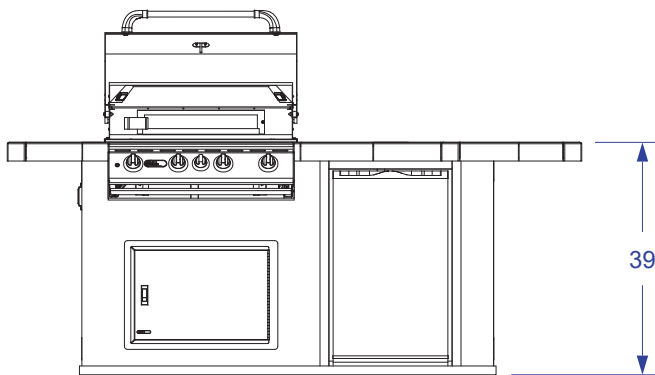




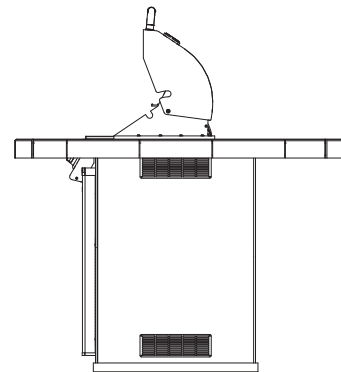
# POWER BBQ ISLAND SPEC SHEET



TOP



FRONT



RIGHT

**NOTES:**

1. FOR ROCK FINISHES, ADD 1 1/2" ON ALL BASE SIDES.
2. 6" MAX HEIGHT ON ALL STUB-UPS.
3. SHOWN WITH STANDARD 4-BURNER ANGUS GRILL.
4. SCALE: 3/8" = 1'-0"