

# Type JBH/JBHX

## Belt Drive Upblast Power Roof Ventilator



P.O. Box 2300 Jacksonville, Florida 32203  
 Phone: (904) 389-3646  
 Fax: (904) 387-3449 • (904) 381-7560  
 E-mail: info@coolair.com  
 Internet: www.coolair.com

### Abbreviations for Accessories

- DS – Safety disconnect switch (specify voltage)
- PFC1 – Surface mount prefabricated roof curb
- ML – Magnetic latches
- HSV – Automatic heat and smoke release
- EPX – 6 mil epoxy finish
- CA – Cork-impregnated asphalt
- OG – Outlet guard
- DD-M – Galvanized damper doors

### Standard Fan Features

- Low profile
- All-weather performance
- All-welded steel curb cap
- Rugged angle frame
- Unique drive assembly—longer bearing life
- Bearings permanently lubricated and sealed
- Six die-formed steel propeller blades
- Variable pitch motor pulley (most models)
- UL Listed for Standard 705 (most models)

### Dimensions

Dimension A is the diameter of the circular wind shroud.

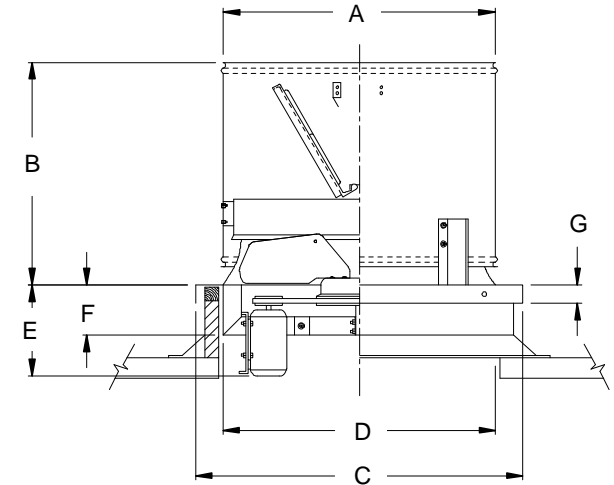
Dimension B is the overall height above the curb.

Dimension C is the I.D. of the curb cap flange.

Dimension D is the inside curb minimum.

Dimension E is the maximum projection of the motor below top of curb for constant speed, 3-phase TEFC motor of maximum frame size for PRV size and style indicated. This dimension will vary with the type and HP of the motor actually selected.

Dimension F is the depth of the fan angle structure.



Fan	Dimensions in Inches						
	A	B	C	D	E	F	G
24	32	28 3/4	38	32	11 7/8	5 1/8	2
30	38	33 5/8	44	38	16 3/4	5 1/8	2
36	44	33 5/8	50	44	17	5 1/8	2
42	50	38 1/2	56	50	17	5 1/8	2
H48	56	39 1/2	62	56	17	5 1/8	2
HX48					20 1/4	6 5/8	
H54	62	43 7/8	68	62	17	5 1/8	2
HX54					20 1/4	6 5/8	
60	68	46 7/8	77	69	21 1/4	7 5/8	3

### Specifications

FAN DATA							MOTOR DATA						ACCESSORIES AND REMARKS
FAN NO.	QTY.	MODEL NO.	CFM	SP	RPM	SONES	HP	RPM	VOLTAGE	PH	HZ	ENCLOSURE	

PROJECT \_\_\_\_\_ ENGINEER \_\_\_\_\_ SUBMITTED BY \_\_\_\_\_ DATE \_\_\_\_\_  
 LOCATION \_\_\_\_\_ CONTRACTOR \_\_\_\_\_ APPROVED BY \_\_\_\_\_ DATE \_\_\_\_\_