



Your Source for Home Comfort

17,700, 18,500, 25,000 & 28,000 BTU

# WINDOW AIR CONDITIONER

## USER MANUAL

FOR MODELS:

**3PAHP18002**

*with 11,200 BTU heat pump*

**3PACH18000**

*with 16,000 BTU electric heater*

**3PACH25000**

*with 16,000 BTU electric heater*

**3PNC28000**



Before using your window air conditioner, please read this manual carefully and keep it for future reference, along with your receipt.

# CONTENTS

SAFETY PRECAUTIONS .....	2
IMPORTANT SAFETY INSTRUCTIONS .....	4
NORMAL SOUNDS .....	5
AIR CONDITIONER FEATURES .....	5
INSTALLATION INSTRUCTIONS .....	8
CARE AND CLEANING .....	15
TROUBLESHOOTING TIPS .....	16

This manual provides the information needed for proper use and maintenance of this air conditioner. Basic preventative care can help extend the life of this unit. The “Troubleshooting Tips” section in this manual contains a chart with solutions to the most common problems. Referring to this section may save time and prevent the need for a service call in the event of a problem.

## CAUTION



- Contact an authorized service technician for repair or maintenance of this unit.
- Contact an installer for installation of this unit if necessary.
- ***The air conditioner is not intended for use by young children without supervision.***  
Young children should be supervised to ensure that they do not play with the air conditioner.
- Disabled persons may require assistance with set up.
- If the power cord is to be replaced, replacement work should be performed by authorized personnel only.
- Installation and repair work must be performed in accordance with the national wiring standards by authorized personnel only.
- Do not operate your air conditioner in a wet room such as a bathroom or laundry room.
- Units with a heating function should be at least 3 1/3 ft (1 meter) away from any combustible/flammable materials.

**NOTE:** *All the illustrations in this manual are for explanation purposes only. Unit purchased may be slightly different.*



The design and specifications are subject to change without prior notice for product improvement. Contact customer service for details.

# SAFETY PRECAUTIONS

To prevent injury to the user or other people and property damage, the following instructions must be followed. Incorrect operation due to ignoring of instructions may cause harm or damage. The seriousness is classified by the following indications.

 <b>WARNING</b>	This symbol indicates the possibility of death or serious injury.
 <b>CAUTION</b>	This symbol indicates the possibility of injury or damage to property.


■ Meanings of symbols used in this manual are as shown below.

	<b>Never do this.</b>
	<b>Always do this.</b>

## **WARNING**

 Plug in power plug properly.


● Failure to do so may cause electric shock or fire due to excess heat generation.

 Do not operate or stop the unit by inserting or pulling out the power plug directly from the wall.

● Doing so may cause electric shock or fire due to heat generation.

 Do not use a damaged power cord.


● Doing so may cause electric shock or fire. If the power cord is damaged, it must be replaced by the manufacturer or an authorized service center or a similarly qualified person in order to avoid a hazard.

 Do not modify power cord length or share the outlet with other appliances.


● Doing so may cause electric shock or fire due to heat generation.

 Do not operate with wet hands or in damp environment.


● Doing so may cause electric shock.

 Do not direct airflow directly at room occupants.


● This could cause health issues.

 Always ensure effective grounding.


● Incorrect grounding may cause electric shock.

 Do not allow water to run into electric parts.

● Doing so may cause failure of machine or electric shock.

 Always install circuit breaker and a dedicated power circuit.


● Incorrect installation may cause fire and electric shock.

 Always unplug the unit if strange sounds, smell or smoke comes from the unit.

● Failure to do so may cause fire and electric shock.

 Do not use the socket if it is loose or damaged.

● Doing so may cause fire and electric shock.

 Do not open the unit during operation.


● Doing so may cause electric shock.

 Do not use firearms near unit.

● Doing so may cause fire.

 Do not use the power cord close to heating appliances.


● Doing so may cause fire and electric shock.

 Do not disassemble, modify, or drill holes into the air conditioner.

● Doing so may cause failure and electric shock.

 Ventilate room before operating air conditioner if there is a gas leakage from another appliance such as a stove.

● Failure to do so may cause explosion, fire and burns.

 Do not use the power cord near flammable gas or combustibles, such as gasoline, benzene, thinner, etc.

● Doing so may cause an explosion or fire.



## CAUTION

⊘ When removing air filter, do not touch metal parts of the unit.

- Doing so may cause an injury.

⊘ Do not clean with water.

- Water may enter the unit and degrade the insulation causing an electric shock.

⚠ Ensure proper ventilation especially in rooms with a stove or other appliances.

- Failure to do so may result in an oxygen shortage.

⚠ Unit and Circuit breaker/fuse must be switched OFF when cleaning.

- Cleaning unit when power is ON may cause fire and electric shock and may cause an injury.

⊘ Do not put a pet or house plant where it will be exposed to direct air flow.

- This could injure the pet or plant.

⚠ Use only as intended.

- This unit is NOT intended to preserve precision devices, food, pets, plants, and art objects. It may cause deterioration of quality, etc.

⚠ Stop operation and close the window in severe storms or hurricanes.

- Operation with windows open may cause moisture to enter the room.

⚠ Hold the plug by the head of the power plug when taking it out.

- Failure to do so may cause electric shock and damage.

⚠ If unit will not be used for a long period of time, turn OFF main power switch.

- Leaving power on may cause unit failure or fire.

⊘ Do not place obstacles around air-inlets or inside of air-outlet.

- Obstacles may cause appliance failure or accident.

⚠ Periodically check installation bracket for damage.

- Prolonged exposure to outdoor elements may cause damage to installation bracket causing unit to fall.

⚠ Always insert the filters securely. Clean filter AT LEAST once every two weeks.

- Operation without secured filters may cause failure. A dirty filter can cause the unit to not run efficiently.

⚠ Use only a soft cloth to clean the unit.

- Cleaners or detergents may change the color or scratch the surface of the unit.

⚠ Use caution when unpacking and installing.

- Sharp edges could cause injury.

⊘ NEVER drink water drained from air conditioner.

- Water from unit contains contaminants and could cause illness.

⊘ Do not place heavy objects on the power cord and always ensure that the cord is not compressed.

- There is danger of fire or electric shock.

⚠ If water enters the unit, turn the unit off at the power outlet and switch off the circuit breaker. Isolate supply by taking the power-plug out and contact a qualified serviced technician.

- There is danger of electric shock.

## Meeting Electrical Requirements



### WARNING

#### Electrical Shock and Personal Injury Hazard

- Electrical ground is required on this appliance.
  - DO NOT ground to a gas line.
  - If cold water pipe is interrupted by using plastic, non-metallic gaskets, or other insulating materials. DO NOT use for grounding.
  - Check with a qualified electrician if you are in doubt as to whether the appliance is properly grounded.
  - DO NOT modify power supply cord plug. If it does not fit the outlet, have a proper outlet installed by a qualified electrician.
  - DO NOT have a fuse in the neutral or grounding circuit.
- A fuse in the neutral, or grounding circuit could result in an electrical shock.
- DO NOT use an extension cord with this appliance.

**Failure to follow these instructions could result in electrical shock, serious injury, or death.**

**Observe all local governing codes and ordinances.**

**Do not, under any circumstances, remove the power supply cord grounding prong.**

**NOTE:** If codes permit, and a separate grounding wire is used, it is recommended that a qualified electrician determine that the grounding path is adequate and not interrupted by plastic, non-metallic gaskets, or other insulating materials.

#### Receptacle Wiring

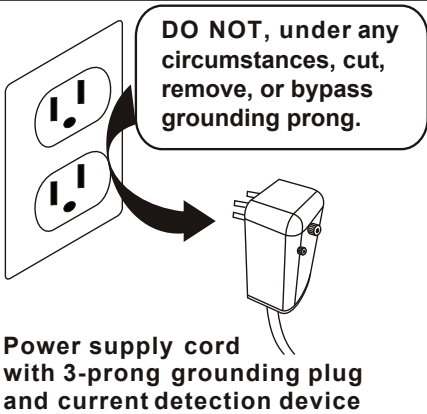
Receptacle wiring should be a minimum of 14 gauge. Use copper wire only. It is your responsibility to provide proper and adequate receptacle wiring, installed by a qualified electrician.

#### Electrical Requirements

A time delay fuse or time delay circuit breaker is also required. A separate circuit, serving only this appliance, MUST be provided.

# IMPORTANT SAFETY INSTRUCTIONS

**NOTE** The power supply cord with this air conditioner contains a current detection device designed to reduce the risk of fire. Please refer to the section "Operation of Current Device" (below) for details. In the event that the power supply cord is damaged, it **MUST** be replaced by an authorized repairman.



## **⚠️ WARNING!** For Your Safety

- DO NOT store or use gasoline or other flammable vapors or liquids in the vicinity of this or any other appliance.
- Avoid fire hazard or electric shock. DO NOT use an extension cord or an adaptor plug. DO NOT remove any prong from the power cord.

## **⚠️ WARNING!** Electrical Information

- Be sure the electrical service is adequate for the model you have chosen. This information can be found on the serial plate, which is located on the side of the cabinet and behind the grille.
- Be sure the air conditioner is properly grounded. To minimize shock and fire hazards, proper grounding is important. The power cord is equipped with a three-prong grounding plug for protection against shock hazards.
- Your air conditioner must be used in a properly grounded wall receptacle. If the wall receptacle you intend to use is not adequately grounded or protected by a time delay fuse or circuit breaker, have a qualified electrician install the proper receptacle.
- Ensure the receptacle is accessible after the unit installation.
- Do not run air conditioner without side protective cover in place. This could result in mechanical damage within the air conditioner.
- **Do not use an extension cord or an adaptor plug.**

## **⚠️ WARNING!** Prevent Accidents

To reduce the risk of fire, electrical shock, or injury to persons when using your air conditioner, follow basic precautions, including the following:

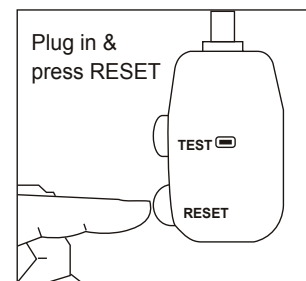
- If the air conditioner is to be installed in a window, you will probably want to clean both sides of the glass first. If the window is a triple-track type with a screen panel included, remove the screen completely before installation.
- Be sure the air conditioner has been securely and correctly installed according to the installation instructions in this manual. Save this manual for possible future use in removing or installing this unit.
- When handling the air conditioner, be careful to avoid cuts from sharp metal fins on front and rear coils.

## Operation of Current Device

The power supply cord contains a current device that senses damage to the power cord. To test your power supply cord do the following:

1. Plug in the air conditioner.
2. The power supply cord will have TWO buttons on the plug head. Press the TEST button. The RESET button will click as it pops out.
3. Press the RESET button; again you will notice a click as the button engages.
4. The power supply cord is now supplying electricity to the unit.  
(On some products this is also indicated by a light on the plug head.)

- NOTES:**
- Do not use this device to turn the unit on or off.
  - Always make sure the RESET button is pushed in for correct operation.
  - The power supply must be replaced if it fails to reset when either the TEST button is pushed or it cannot be reset.
  - If power supply cord is damaged, it cannot be repaired. Please call customer service to assist with replacement.



NOTE: Some plugs have buttons on the top.

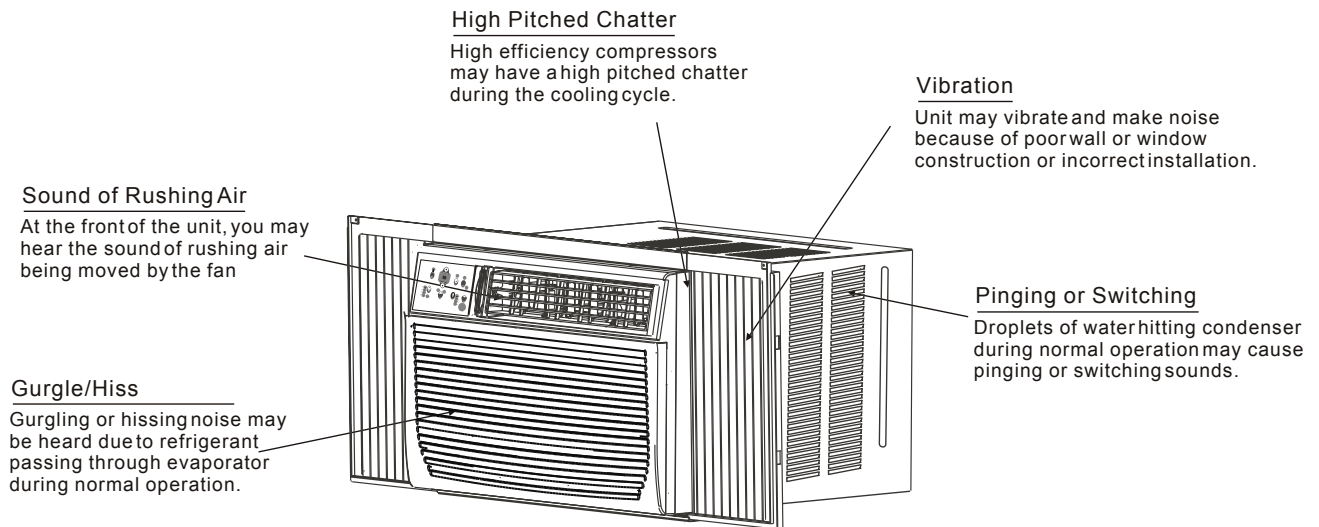
**NOTE:** This air conditioner is designed to be operated under conditions as follows:

Cooling operation	Outdoor temp:	18-43°C/64-109°F (18-52°C/64-125°F for special tropical models)
	Indoor temp:	17-32°C/62-90°F
Heating operation	Outdoor temp:	-5-24°C/23-76°F
	Indoor temp:	0-27°C/32-80°F

\*Please note that not all units come with a heating element. The "Heating operation" specifications only apply for units that DO have a heating element.

If the unit is operated beyond the conditions specified above, it may cause a failure of the unit.

# NORMAL SOUNDS

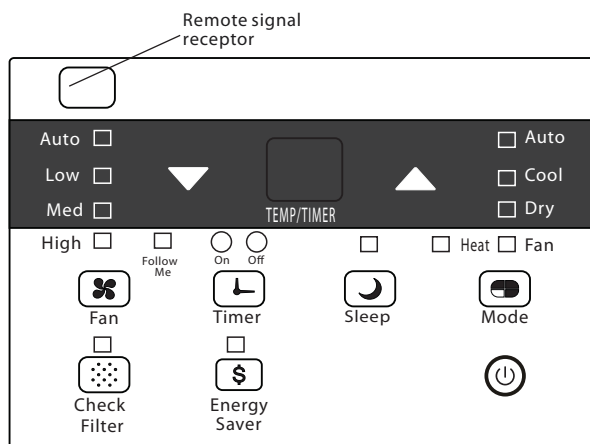


**NOTE:** All of the pictures in this manual are for explanatory purposes only. The actual shape/look of the air conditioner purchased may be slightly different, but the operations and functions are similar.

# AIR CONDITIONER FEATURES

## ELECTRONIC CONTROL OPERATING INSTRUCTIONS

Before you begin, thoroughly familiarize yourself with the control panel as shown below and all its functions. Then, follow the symbol for the functions you desire. The unit can be controlled by the unit controls alone or with the remote control.



**UNIT CONTROL PANEL**  
Heat indicator on models with heating capabilities only.

### TO TURN UNIT ON OR OFF:

Press **ON/OFF** button to turn the unit on or off.

**NOTE:** The unit will automatically initiate the Energy Saver function under "Cool," "Dry" and "Auto" (only Auto-Cooling and Auto-Fan) modes.


### TO CHANGE TEMPERATURE SETTING:

Press **UP/DOWN** button to change the temperature setting.


**NOTE:** Press or hold either UP() or DOWN() button until the desired temperature is seen on the display. This temperature will be automatically maintained anywhere between 62°F (17°C) and 86°F (30°C). If you want the display to read the actual room temperature, see "To Operate on Fan Only" section.

# AIR CONDITIONER FEATURES (CONTINUED)


## TO ADJUST THE FAN SPEED:

Press  to select one of four fan speeds: "Auto," "Low," "Med" or "High." Each time the button is pressed, the fan speed mode is shifted. On "Dry" mode the fan speed is set at low automatically. For some models with heating capabilities, the fan speed cannot be adjusted under "Heat" mode.


## SLEEP FEATURE:

Press  Sleep button to initiate the sleep mode. In this mode the selected temperature will increase (cooling) or decrease (units with heating only) by 2°F/ 1°C 30 minutes after the mode is selected. The temperature will then increase (cooling) or decrease (units with heating only) by another 2°F/1°C after an additional 30 minutes. This new temperature will be maintained for 6 hours before it returns to the originally selected temperature. This ends the Sleep mode and the unit will continue to operate as originally programmed. The Sleep mode program can be cancelled at any time during operation by pressing the "Sleep" button again.

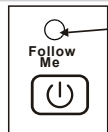
## CHECK FILTER FEATURE:

Press  Check Filter button to initiate this feature. This feature is a reminder to clean the Air Filter for more efficient operation. The LED (light) will illuminate after 250 hours of operation. To reset after cleaning the filter, press the "Check Filter" button and the light will go off.

## ENERGY SAVER FEATURE:

Press  Energy Saver button to initiate this function. This function is available on "Cool," "Dry," and "Auto" (only Auto-Cooling and Auto-Fan) modes. In this mode, the fan will continue to run for 3 minutes after the compressor shuts off. The fan then cycles on for 2 minutes, at 10 minute intervals, until the room temperature is above the set temperature, at which time the compressor turns back on and cooling starts.

## FOLLOW ME FEATURE:




Light flashing

*This feature can ONLY be activated from the remote control. The remote control serves as a remote thermostat allowing for precise temperature control at its location.*

To activate the Follow Me feature, point the remote control towards the unit and press the "Follow Me" button. The remote displays the actual temperature at its location. The remote control will send this signal to the air conditioner every 3 minutes until the Follow Me button is pressed again. If the unit does not receive the Follow Me signal during any 7 minute interval, the unit will beep to indicate the Follow Me mode has ended. The actual temperature can be displayed at the unit by pressing the "Fan" only mode. When in the "Cool" mode, the unit display indicates the set temperature.

## TO SELECT THE OPERATING MODE:

To choose operating mode, press the  Mode button. Each time you press the button, a mode is selected in a sequence that goes from "Auto," "Cool," "Dry," "Heat," (for units with heating function) and "Fan." The indicator light will be illuminated and remain on once the mode is selected. **The unit will automatically initiate the Energy Saver function under "Cool," "Dry," and "Auto" (only Auto-Cooling and Auto-Fan) modes.**

### To operate on "Auto" feature:

When you set the air conditioner in AUTO mode, it will automatically select cooling, heating (on models with heating capabilities), or fan only operation depending on what temperature you have selected and the room temperature. The air conditioner will control room temperature automatically around the temperature you set. **In this mode, the fan speed cannot be adjusted.** It starts automatically at a speed according to the room temperature.


### To operate on "Fan" only:

Use this function only when cooling is not desired, such as for room air circulation or to exhaust stale air. (Remember to open the vent during this function, but keep it closed during cooling for maximum cooling efficiency.) You can choose any fan speed you prefer. During this function, the display will show the actual room temperature, not the set temperature as in the cooling mode.

### To operate on "Dry" mode:

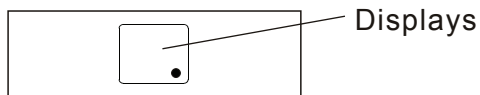
In this mode, the air conditioner will reduce air humidity. If the space is a closed or sealed area, some degree of cooling will continue.

## TIMER: AUTO START/STOP FEATURE:

- When the unit is on or off, first press  Timer button. The TIMER ON indicator light illuminates. It indicates the Auto Start program is initiated.
- When the time of TIMER ON is displayed, if you press the Timer button again, the TIMER OFF indicator light illuminates. It indicates the Auto Stop program is initiated.
- Press or hold the UP or DOWN button to change the Auto time by 0.5 hour increments, up to 10 hours, then by 1 hour increments, up to 24 hours. The control will count down the time remaining until start.
- The selected time will register in 5 seconds and the system will automatically revert back to display the previous temperature setting or the room temperature (depending on whether the unit is powered on or off and the mode it is in).
- Turning the unit ON or OFF at any time or adjusting the timer setting to 0.0 will cancel the Auto Start/Stop program.

# AIR CONDITIONER FEATURES (CONTINUED)

## DISPLAYS



Displays

**NOTE:** If the unit breaks off unexpectedly due to power being cut, it will restart with the previous function setting automatically when the power resumes.

Shows the set temperature in “°C” or “°F” and the Auto-timer settings. While on “Fan” only mode, it shows the room temperature.

### Error Codes:

**AS - Room temperature sensor error** - Unplug the unit and plug it back in. If error repeats, call customer service.

**NOTE:** If error occurs in “Fan” only mode, unit will display “LO” (loose connection) or “HI” (short circuit).

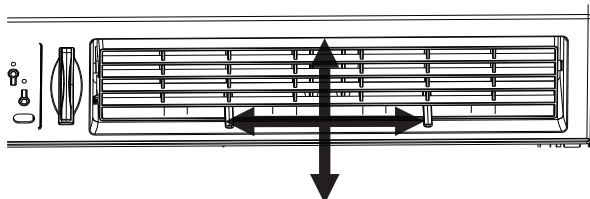
**HS - Electric heating sensor error** - Unplug the unit and plug it back in. If error repeats, call customer service.

• - **Evaporator temperature sensor error** - Unplug the unit and plug it back in. If error repeats, call customer service. (“•” is displayed as shown in left picture.)

## ADDITIONAL THINGS YOU SHOULD KNOW

- The Cool circuit has an automatic 3 minute time delayed start if the unit is turned off and on quickly. After unit is turned off, leave unit off for a minimum of 3 minutes before attempting to turn back on. This prevents overheating of the compressor and possible circuit breaker tripping. The fan will continue to run during this time.
- The control is capable of displaying temperature in degrees Fahrenheit or degrees Celsius. To convert from one to the other, press and hold the Up and Down Temp/Timer buttons at the same time, for 3 seconds.

### Air Directional Louvers



Air Direction (4- way)

### HOW TO USE:

Use the 4-way directional louvers to direct the air flow Up or Down and Left or Right throughout the room as needed. Pivot horizontal louvers until the desired Up/Down direction is obtained.

Move the Center Handles from side to side until the desired Left/Right direction is obtained.

### Fresh Air Vent Control (on some models):

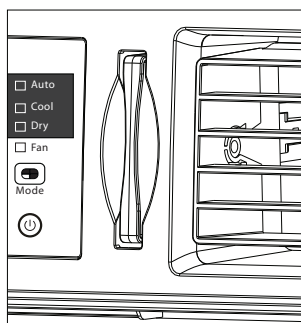


Figure A  
(VENT CLOSED)

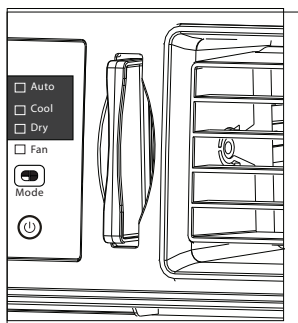


Figure B  
(VENT OPEN)

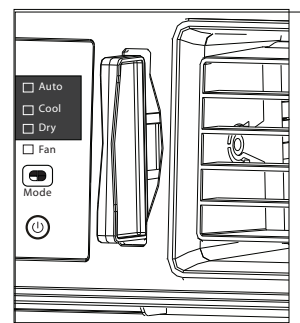


Figure C  
(VENT & EXHAUST OPEN)

- The Fresh Air Vent allows the air conditioner to:
1. Recirculate inside air - Vent Closed (See Fig.A)
  2. Draw fresh air into the room - Vent Open (see Fig.B)
  3. Exchange air from the room and draw fresh air into the room - Vent and Exhaust Open (see Fig. C)



# INSTALLATION INSTRUCTIONS



## BEFORE YOU BEGIN

Read these instructions completely and carefully.

**IMPORTANT-** Save these instructions.

**IMPORTANT-** Observe all governing codes and ordinances.

*Note to Installer-* Be sure to leave these instructions with the Consumer.

*Note to Consumer-* Keep these instructions for future reference.

**Skill level-** Installation of this appliance requires basic mechanical skills.

**Completion time-** Approximately 1 hour.

We recommend that two people install this product.

Proper installation is the responsibility of the installer.

Product failure due to improper installation is not covered under the Warranty.

You **MUST** use all supplied parts and use proper installation procedures as described in these instructions when installing this air conditioner.



## CAUTION

Do not, under any circumstances, cut or remove the third (ground) prong from the power cord.

Do not change the plug on the power cord of the air conditioner.

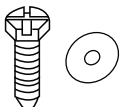
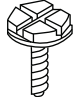
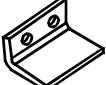
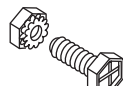
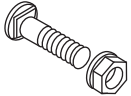
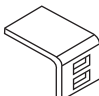
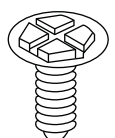
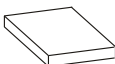

Aluminum house wiring may present special problems- consult a qualified electrician.

When handling unit, be careful to avoid cuts from sharp metal edges and aluminum fins on front and rear coils.

## Required Tools/Hardware

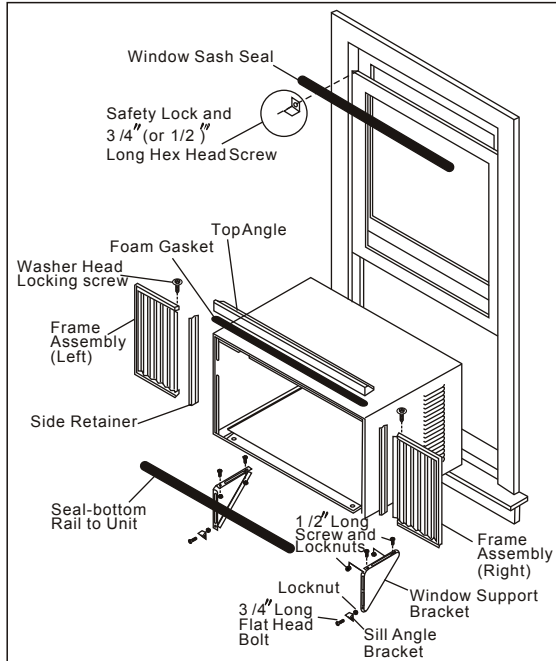
### Tools Required (Not Included)

- Pencil
- Level
- Tape measure
- Socket wrenches
- Phillips screwdriver
- Adjustable wrench or pliers
- Large flat blade screwdriver

Hardware (Included - Packed with the unit)		
	7/16 inch Locking screw and Flat washer for window panels	2 ea.
	3/4 (or 1/2) inch Long Hex-head Screw	4
	Safety Lock	1
	1/2 inch Long screw and Locknut	4 ea.
	3/4 inch Long Flat Head Bolt and Locknut	2 ea.
	Sill Angle Bracket	2
	Long hex-head locking screw for top angle, side retainer 5 /16 inch Long	10
	Foam insert	2
	Window sash seal foam	1

# INSTALLATION INSTRUCTIONS (CONTINUED)

Please read ALL instructions before installing. Two people are recommended to install this product. If a new electrical outlet is required, have the outlet installed by a qualified electrician before installing the unit.



## Preliminary Instructions

Do the following before installing the unit. (See illustrations on left.)

Check dimensions of your unit to determine proper window dimensions:

Unit Height:	17 <sup>5</sup> / <sub>8</sub> "	or	18 <sup>5</sup> / <sub>8</sub> "
Unit Width:	23 <sup>5</sup> / <sub>8</sub> "	or	26 <sup>1</sup> / <sub>2</sub> "
Min. Window Height:	18 <sup>1</sup> / <sub>2</sub> "	or	19 <sup>1</sup> / <sub>2</sub> "
Min. Window Width:	26 <sup>1</sup> / <sub>2</sub> "	or	31"
Max. Window Width:	40 <sup>1</sup> / <sub>2</sub> "	or	42"

1. **Check window opening size**-The mounting parts furnished with this air conditioner are made to install in a wooden sill, double-hung window. The standard parts are for window dimensions listed above. Open sash to a minimum of 19 inches (483 mm). See Fig. D.

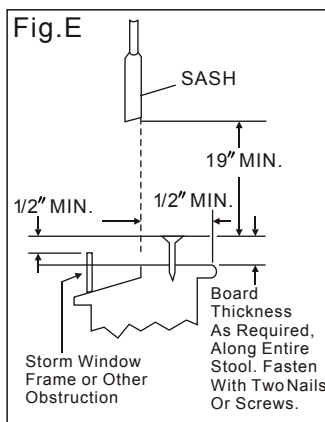
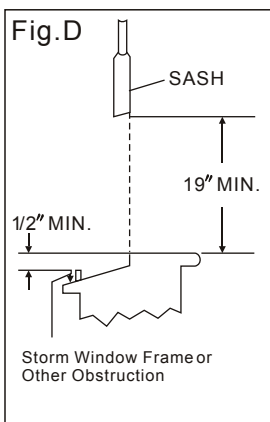
2. **Check condition of window**-All wood parts of window MUST be in good shape and able to firmly hold the needed screws. If not, make repairs before installing unit.

3. **Check your storm windows**-If your storm window frame does not allow the clearance required, correct by adding a piece of wood as shown in Fig. E, or by removing storm window while room air conditioner is being installed.

4. **Check for anything that could block airflow**-Check area outside of window for things such as shrubs, trees, or awnings. Inside, be sure furniture, drapes, or blinds will not stop proper airflow.

5. **Check the available electrical service**-Power supply MUST be the same as that shown on the unit serial nameplate. Power cord is 48 inches long. Be sure you have an outlet near. DO NOT use an extension cord.

6. **Carefully unpack the air conditioner**-Remove all packaging material. Cover the floor during installation to prevent damage. Two people should be used to move and install unit.



## Window Mounting

### 1 Remove Chassis

1. Pull down front grille and remove filter. (See Fig. 1.)
2. Lift front grille upwards and place to one side.
3. Locate and remove the four front screws. These screws will be needed to re-install the front panel later. (See Fig. 2.)
4. Push metal cabinet side to release plastic tabs on each side of front panel. (See Fig. 3.)
5. Gently lift front panel off unit. (See Fig. 3A.)
6. Disconnect the connector plug of the display panel from the unit and place front panel to one side. (See Fig. 4.)
7. Remove shipping screws from top of unit and also on the side by the base if installed. (See Fig. 5.)
8. Hold the cabinet while pulling on the base handle, and carefully remove the unit.
9. Add two foam inserts to holes in top of cabinet where shipping screws were removed from. (See Fig. 6.)
10. Your unit may come with internal packaging. This packaging **MUST** be removed prior to installing the air conditioner back into the cabinet. (See Fig. 7.)
  - **Do not lift, pull or remove any expanded polystyrene (foam) from inside of the air conditioner. It is NOT packing material.**

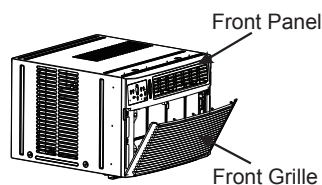


Fig. 1

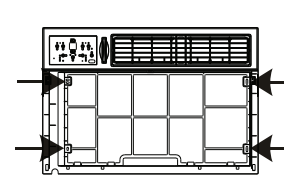


Fig. 2

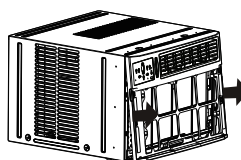


Fig. 3

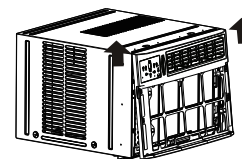


Fig. 3A

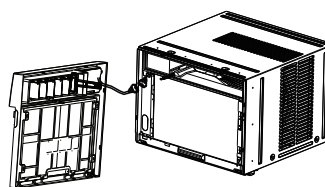


Fig. 4

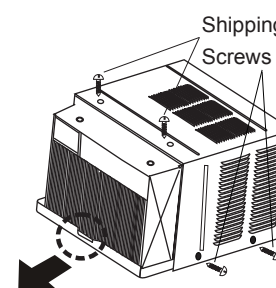


Fig. 5

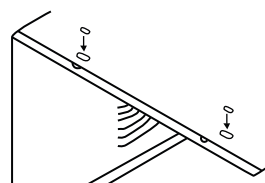


Fig. 6

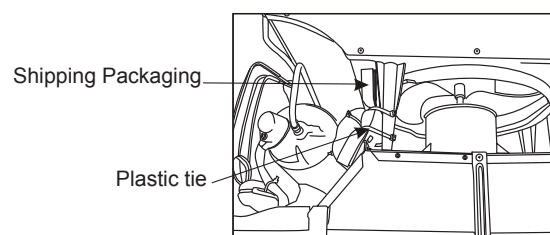


Fig. 7

### 2 Install Top Angle and Side Bracket

1. Attach foam gasket to top angle above holes. (See Fig. 6.)
2. Install top angle and side retainers to cabinet. (See Fig. 8.)

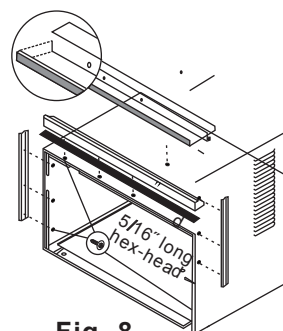


Fig. 8

### 3 Assemble Window Filler Panels

1. Place cabinet on floor, a bench or a table.
2. Slide "I" section of window filler panel into side retainer on the side of the cabinet. (See Fig. 9.)
3. Insert top and bottom legs of window filler panel frame into channel in the top angle and bottom rail. Do both sides (See Fig. 9A.)
4. Insert washer head locking 7/16" screws (2) into holes in top leg of filler panel frame. (See Section 6.) Do not totally tighten. Allow leg to slide freely. Screws will be tightened after section 6.

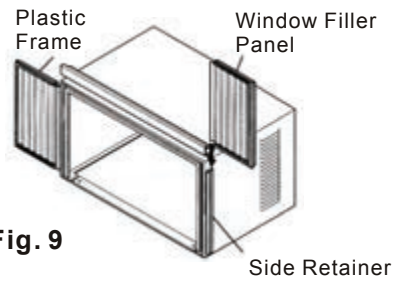


Fig. 9

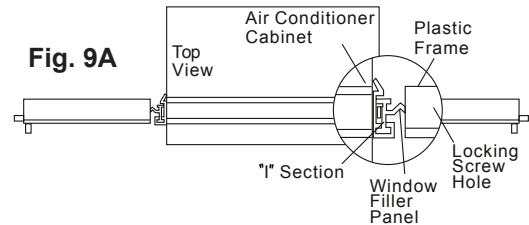


Fig. 9A

### 4 Place Cabinet in Window

1. Open window and mark center of window sill. (See Fig. 10.)
2. Place cabinet in window with bottom sill angle firmly seated over window sill as shown. (See Fig. 10A.) Bring window down temporarily behind top angle to hold cabinet in place.
3. Shift cabinet left or right as needed to line up center of cabinet on center line marked on sill.
4. Fasten cabinet to window sill with 2 screws into holes. (You may wish to pre-drill pilot holes.)
5. Add bottom rail seal over screws in window sill. (See Fig. 11.)

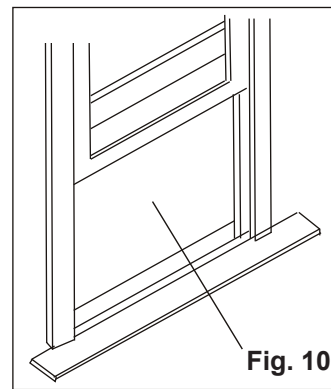


Fig. 10

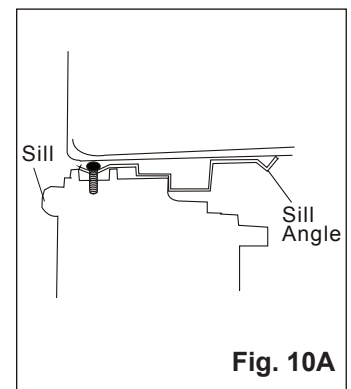


Fig. 10A

### 5 Install Support Bracket

1. Hold each support bracket flush against outside of sill and tighten to bottom of cabinet as shown in Figure 12. Mark brackets at top level of sill and remove.
2. Assemble sill angle bracket to support brackets at the marked position as shown in Figure 13. Hand tighten, but allow for any changes later.
3. Install support brackets (with sill angle brackets attached) to correct hole in bottom of cabinet. (See Fig. 14.)
4. Tighten all 6 bolts securely.

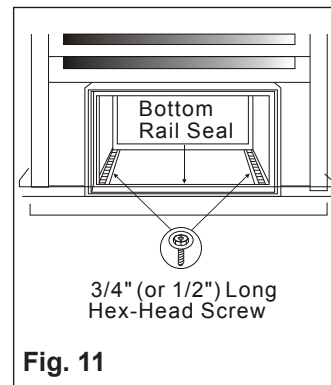


Fig. 11

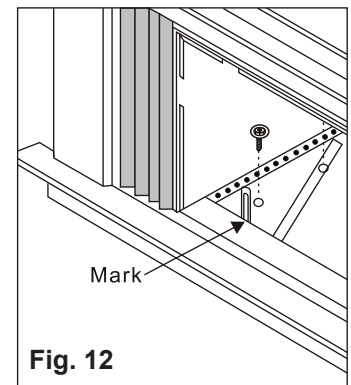


Fig. 12

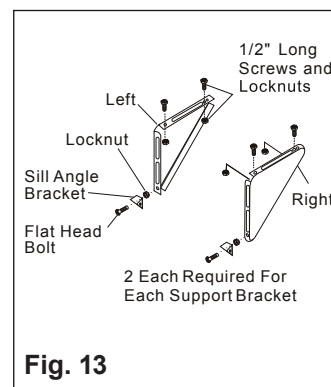


Fig. 13

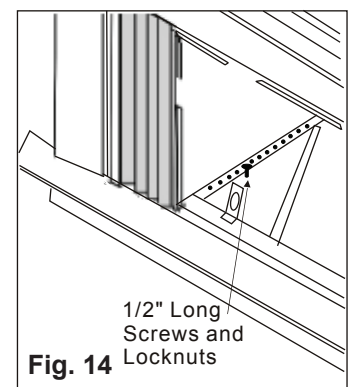


Fig. 14

## 6 Extend Window Filler Panels

1. Carefully raise window to expose filler panel locking screws. Loosen screws so filler panels slide easily. (See Fig. 15.)
2. Extend panels to fill window opening completely. Tighten locking screws on top. (See Fig. 15.)
3. Close window behind top angle.

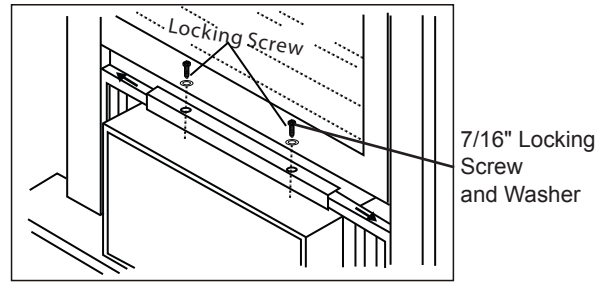


Fig. 15

## 7 Install Window Lock and Sash Seal

1. Trim sash seal to fit window width. Insert into space between upper and lower sashes. (See Fig. 16.)
2. Attach right angle safety lock as shown. (See Fig. 17.)

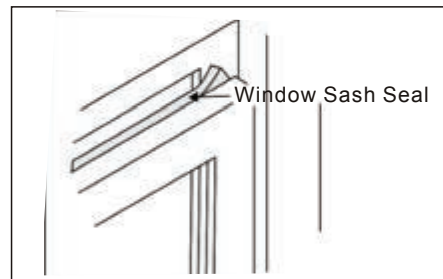


Fig. 16

## 8 Install Chassis into Cabinet and Install Front to Unit

1. Lift air conditioner and carefully slide into cabinet leaving 6 inches protruding.
2. DO NOT push on controls or finned coils.
3. Be sure chassis is firmly seated towards rear of cabinet.
4. Installation of front is the reverse of removal outlined in Section 1.

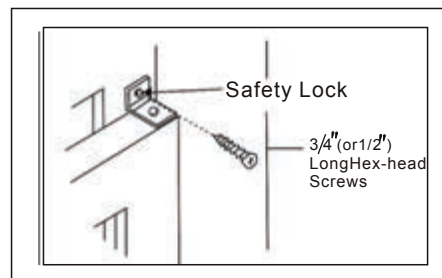


Fig. 17

## Thru-The-Wall Installation

NOTE: Consult local building codes or a qualified carpenter prior to installation.

### 1 Select Wall Location

The air conditioner has a slide-out chassis so that it can be installed through an outside wall as specified below:

Max. Wall Thickness: 12" or 10"

IMPORTANT: Side louvers must never be blocked.

NOTE: All parts needed for Thru-The-Wall Installation are provided except a wood frame, shims, and 10 wood screws (#10-1 long minimum).

Select a wall surface that:

- Does not support major structural loads such as the frame construction at ends of windows, under truss-bearing points, etc.
- Does not have plumbing or wiring inside.
- Is near existing electrical outlets, or where another outlet can be installed.
- Faces (and is not blocked) the area to be cooled.
- Allows unblocked airflow from rear sides and end (outside) of installed air conditioner.

### 2 Prepare Wall

1. Prepare wall in frame construction (including brick and stucco veneer). Working from inside the room, find wall stud nearest the center of area where air conditioner will be installed (by sounding wall, or by magnetically finding nails).

2. Cut or knock out a hole on each side of center stud.

3. Measure between inside edges of every other stud as shown in Fig. 1.

\*Carefully measure and cut an opening with the following dimensions depending on your model. (See Fig. 1 and 2.)

WIDTH "X" = inside model width plus twice the thickness of framing material used.

HEIGHT "Y" = inside model height plus twice the thickness of framing material used.

Inside Frame Height: 18 7/8" (47.9 cm) or 18" (45.7 cm)

Inside Frame Width: 26 3/4" (67.9 cm) or 23 7/8" (60.6 cm)

4. Build wooden frame with the INSIDE dimensions of your model listed above. (Be sure to measure twice for accuracy.) Frame depth should be the same as wall thickness. Fill in the space from the opening to the studs with wood spacers. (See Fig. 3)

5. Nail frame spacers with front flush with drywall.

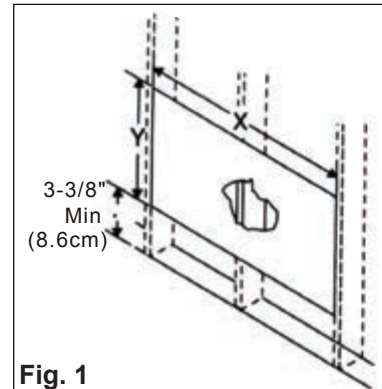


Fig. 1

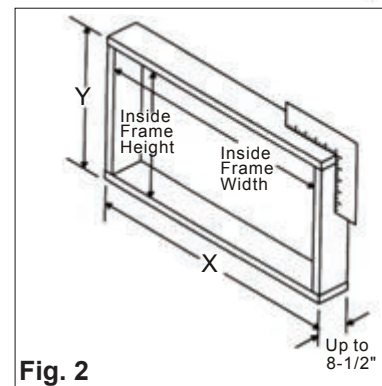


Fig. 2

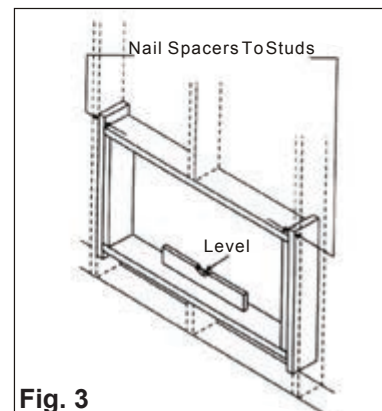


Fig. 3

NOTE:  
If wall thickness is 8-1/2" or more, add aluminum flashing over bottom of frame opening to assure no water can enter area between inner and outer wall.

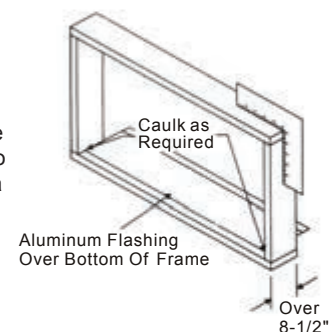


Fig. 4

### 3 Prepare and Install Cabinet

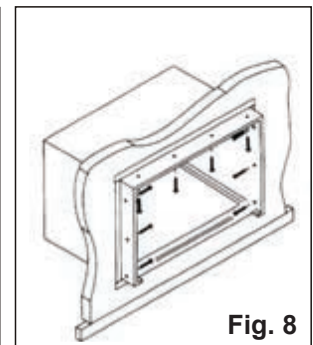
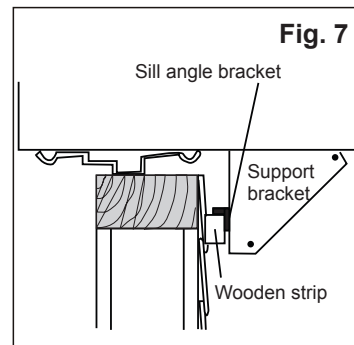
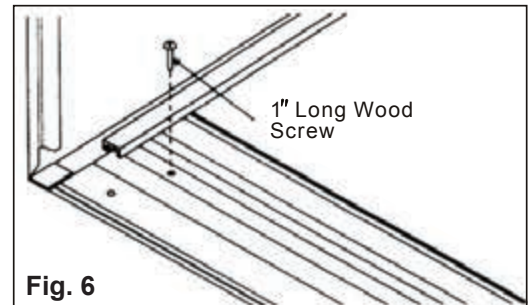
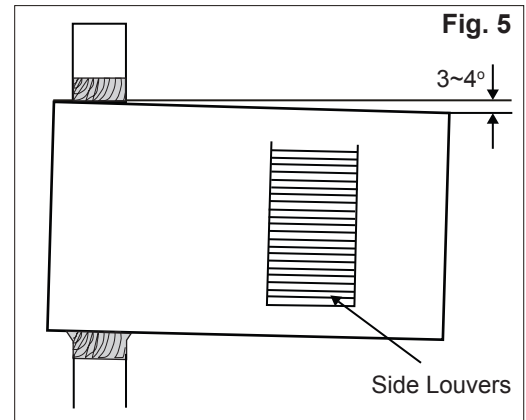
1. Slide chassis from cabinet. Refer back to Step 1 of Window Mounting.
2. Place cabinet into opening with bottom rail resting firmly on bottom board of wooden frame.
3. Position cabinet to achieve proper slope for water removal. (See Fig. 5.)
4. Secure bottom rail to wooden frame with two large wood screws 1" (2.5 cm) long using the two holes in the bottom of the channel resting on frame. (See Fig. 6.)

Refer to Step 5 of Window Mounting for assembly of support brackets. A wooden strip nailed to the outside wall should be used in conjunction with sill support angle brackets. (See Fig. 7.)

5. Screw or nail cabinet wooden frame using shims, if frame is oversized, to eliminate distortion. (See Fig. 8.) Remember to maintain proper slope as described in Step 3.
6. Install chassis into cabinet by following all directions in Step 8 of Window Mounting.

OPTIONAL: Caulking and installation of trim on interior wall may be done. You can buy wood from your local lumber or hardware supply. On the outside, caulk openings around top and sides of cabinet, and all sides of wood sleeve to the opening.

NOTE: See Fig. 11 of Window Mounting Instructions for bottom rail seal location.



## MASONRY CONSTRUCTION

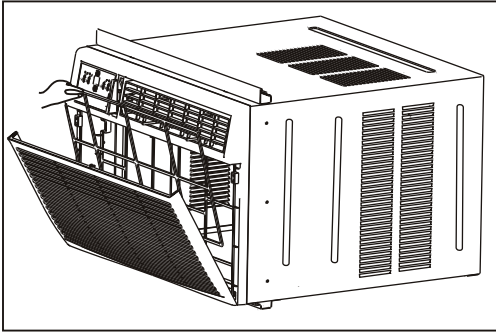
1. Cut or build a wall opening in the masonry wall similar to the frame construction (refer to Step 2 of Thru-The-Wall Installation for wall thickness greater than 8-1/2").
2. Secure cabinet in place using masonry nails or the right masonry anchor screws. (Another way to do this is to build an in-between frame of 2x4's as shown in Step 2 of Thru-The-Wall Installation but make it double framed on either side and install between masonry wall opening and cabinet. Frame must be securely anchored to masonry wall opening.) This way gives very good louver clearance on either side of cabinet.
3. Install a lintel to support masonry wall above cabinet. Existing holes in cabinet can be used and/or additional holes can be drilled to fasten cabinet at various positions. Be sure that side louver clearance is in accordance with Step 1 of Masonry Construction.
4. Install exterior cabinet support brackets as shown in Step 2 of Thru-The-Wall Installation. Caulk or flash if needed to provide a weather-tight seal around top and sides of cabinet.
5. To complete installation, apply wood trim moulding around room side projection of cabinet.

NOTE: After installing, make sure the air conditioner is tilted 3-4° to the outside to allow water drainage and perfect cooling efficiency.

# CARE AND CLEANING

## CAUTION

Clean air conditioner occasionally to keep it looking and operating like new. Be sure to unplug the unit before cleaning to prevent shock or fire hazards.



### Air Filter Cleaning

The air filter should be cleaned at least every two weeks or as necessary. Trapped particles in the filter can build up and cause an accumulation of frost on the cooling coils.

- Push the vent handle to the Vent Closed position (where applicable).
- Open the front panel.
- Grasp the filter by the center and pull up and out.
- Wash the filter using liquid dishwashing detergent and warm water. Rinse filter thoroughly.
- Gently shake excess water from the filter. Be sure the filter is thoroughly dry before replacing.
- As an alternative, vacuum the filter clean.

NOTE: Never use hot water over 104°F (40°C) to clean the air filter. Never attempt to operate the unit without the air filter.

### Cabinet Cleaning

- Be sure to unplug the air conditioner to prevent shock or fire hazard. The cabinet and front may be dusted with an oil-free cloth or with a cloth dampened in a solution of warm water and mild liquid dishwashing detergent. Rinse thoroughly and wipe dry.
- Never use harsh cleaners, wax or polish on the cabinet front.
- Be sure to wring excess water from the cloth before wiping the controls. Excess water in or around the controls may cause damage to the air conditioner.
- Plug in air conditioner after unit has dried completely.

### Winter Storage

If air conditioner will be stored during the winter, remove it carefully from the window according to the installation instructions. Cover it with plastic or return it to the original carton. **Always store unit in upright position.**



# TROUBLESHOOTING TIPS

*Before calling for service, please review the chart below.*

Issue	Possible Solutions
<b>AIR CONDITIONER NOT COOLING ROOM, OR NOT BLOWING COLD AIR</b>	<ul style="list-style-type: none"> <li>• Be sure unit is not too large or too small for the area of the room.</li> <li>• Verify that all doors, windows, curtains and any other openings are closed off. Verify nothing is obstructing the front grille of unit, such as curtains, etc.</li> <li>• Allow enough time for room to cool, especially if outside temp is very high.</li> <li>• Check that the filter is not dirty and louvers are open all the way and blowing in the direction desired.</li> <li>• Check that unit is set to Cool Mode and that temperature is down enough (but not too low).</li> <li>• If unit is near a heat source, such as a stove, etc., then relocate unit.</li> <li>• If air coming from unit is cool to the touch, then unit is working properly; please double check the first three bullet points above.</li> <li>• If using Follow Me remote feature, move remote away from unit.</li> <li>• Temperature sensor behind air filter touching cold coil. These two elements should not be touching. Carefully straighten tube away from coil.</li> <li>• Unplug unit for at least 5 minutes. Follow Reset instructions on plug.</li> </ul>
<b>AIR CONDITIONER COOLING BUT ROOM IS TOO WARM - ICE FORMING ON COOLING COIL BEHIND DECORATIVE FRONT</b>	<ul style="list-style-type: none"> <li>• Outdoor temperature is below 64°F (18°C). To defrost the coil, set to Fan Only mode.</li> <li>• Air filter may be dirty. Clean filter. Refer to Care and Cleaning section. To defrost, set to Fan Only mode.</li> <li>• Thermostat is set too cold for night-time cooling. To defrost the coil, set to Fan Only mode. Then, set temperature to a higher setting.</li> </ul>
<b>AIR CONDITIONER CYCLING ON AND OFF TOO FREQUENTLY OR NOT ENOUGH</b>	<ul style="list-style-type: none"> <li>• Be sure unit is not too large or too small for the area of the room.</li> <li>• Remove grille and make sure the temperature sensor is not too close to the coils. These two elements should not be touching. Carefully straighten tube away from coil.</li> <li>• Make sure nothing is blocking the grille or side vents.</li> <li>• Make sure there is no dirt or debris inside the unit or on the filter.</li> </ul>
<b>UNIT WILL NOT TURN ON</b>	<ul style="list-style-type: none"> <li>• Reset circuit breaker. Make sure there are not too many items (ie lamps, TV's, etc.) working off the same breaker.</li> <li>• Check plug connection.</li> <li>• If plug is operating on an on/off switch, be sure that the switch is 'on'.</li> <li>• Try plugging unit into another outlet.</li> <li>• Unplug unit for at least 5 minutes. Follow Reset instructions on plug.</li> </ul>
<b>UNIT BLOWS FUSES OR POPS CIRCUIT BREAKER</b>	<ul style="list-style-type: none"> <li>• Make sure there are enough available amps on the circuit for the air conditioner.</li> <li>• Large units which run on a 230v will require a dedicated 20 or 30 amp circuit.</li> </ul>
<b>AIR CONDITIONER IS MAKING NOISES</b>	<ul style="list-style-type: none"> <li>• Check to be sure the unit is free from debris such as leaves, sticks, etc. Verify nothing is obstructing the unit.</li> <li>• Check the fan blade for cracks or chips.</li> <li>• Make sure the unit is properly and securely mounted inside the window or wall.</li> <li>• Clean the air filter.</li> </ul>
<b>WATER PUDDLES INSIDE UNIT OR IS COMING INTO ROOM</b>	<ul style="list-style-type: none"> <li>• Adjust the slope of the unit so that it drains downward toward the exterior of the home. (See Installation Instructions.)</li> <li>• Make sure that there is no debris blocking the drainage area of the unit.</li> </ul>
<b>WATER DRIPPING OUTSIDE</b>	<ul style="list-style-type: none"> <li>• Unit is removing a large quantity of moisture from a humid room. This is normal during excessively humid days.</li> </ul>
<b>REMOTE SENSING / FOLLOW ME DEACTIVATING PREMATURELY</b>	<ul style="list-style-type: none"> <li>• Remote control not located within range. Place remote control within 20 ft and 180° radius of the front of the unit.</li> <li>• Remote control signal obstructed. Remove obstruction.</li> </ul>

**NOTE:** A highly recommended troubleshoot for any issue in general consists of turning off unit and unplugging for 5 minutes. It is also recommended to try another wall outlet.



Your Source for Home Comfort

**Distributed by:**

Perfect Aire, LLC  
5151 Belt Line Rd.  
Suite 878  
Dallas, TX 75254

**877-365-6274**

**[www.perfectaire.us](http://www.perfectaire.us)**

Specification and performance data is subject to change without notice.

Printed in China