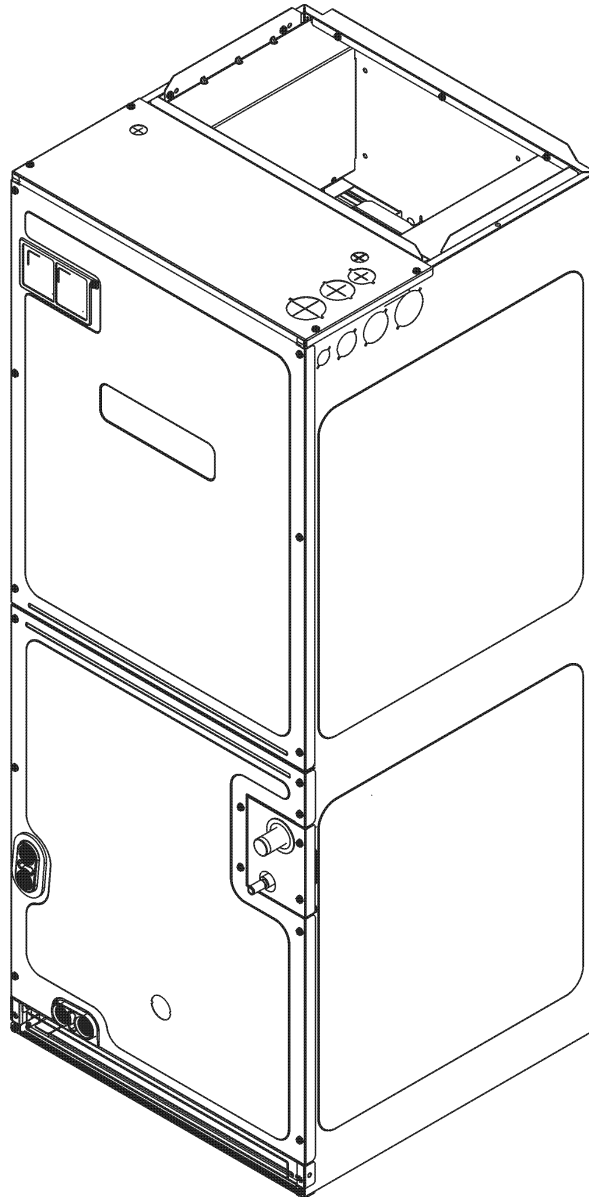


REPAIR PARTS

AVPTC Air Handler

AVPTC25B14AA
AVPTC25B14AB
AVPTC29B14AA
AVPTC29B14AB
AVPTC31C14AA
AVPTC31C14AC
AVPTC33C14AB
AVPTC37B14AA
AVPTC37B14AB
AVPTC37C14AA
AVPTC37C14AC
AVPTC37D14AA
AVPTC37D14AC
AVPTC39C14AC
AVPTC49C14AC
AVPTC49D14AA
AVPTC49D14AB
AVPTC59C14AA
AVPTC59C14AC
AVPTC59D14AA
AVPTC59D14AC
AVPTC61D14AA
AVPTC61D14AC



This manual is to be used by qualified technicians only.

This manual replaces RP-A4036.

© 2016 - 2017 Goodman Manufacturing Company, L.P. ♦ 5151 San Felipe St, Suite 500 ♦ Houston, TX 77056

Important Information

Index

Functional Parts List	3
Illustration and Parts	4 - 9

Views shown are for parts illustrations only, not servicing procedures

Text Codes:

AR - As Required

NA - Not Available

NS - Not Shown

00000000 - See Note

QTY - Quantity Example (QTY 3) (If Quantity not shown, Quantity = 1)

M - Model Example (M1) (If M Code not shown, then part is used on all Models)

Expanded Model Nomenclature:

Example M1 - Model#1 M2 - Model#2 M3 - Model#3

Goodman Manufacturing Company, L.P. is not responsible for personal injury or property damage resulting from improper service. Review all service information before beginning repairs.

Warranty service must be performed by an authorized technician, using authorized factory parts. If service is required after the warranty expires, Goodman Manufacturing Company, L.P. also recommends contacting an authorized technician and using authorized factory parts.

Goodman Manufacturing Company, L.P. reserves the right to discontinue, or change at any time, specifications or designs without notice or without incurring obligations.

For assistance within the U.S.A. contact:
Homeowner Support
Goodman Manufacturing Company, L.P.
19001 Kermier Road
Waller, Texas 77484
877-254-4729-Telephone
713-863-2382-Facsimile

For assistance outside the U.S.A. contact:
International Division
Goodman Manufacturing Company, L.P.
19001 Kermier Road
Waller, Texas 77484
713-861-2500-Telephone
713-863-2382-Facsimile

Functional Parts

**Part
No:**

Description:

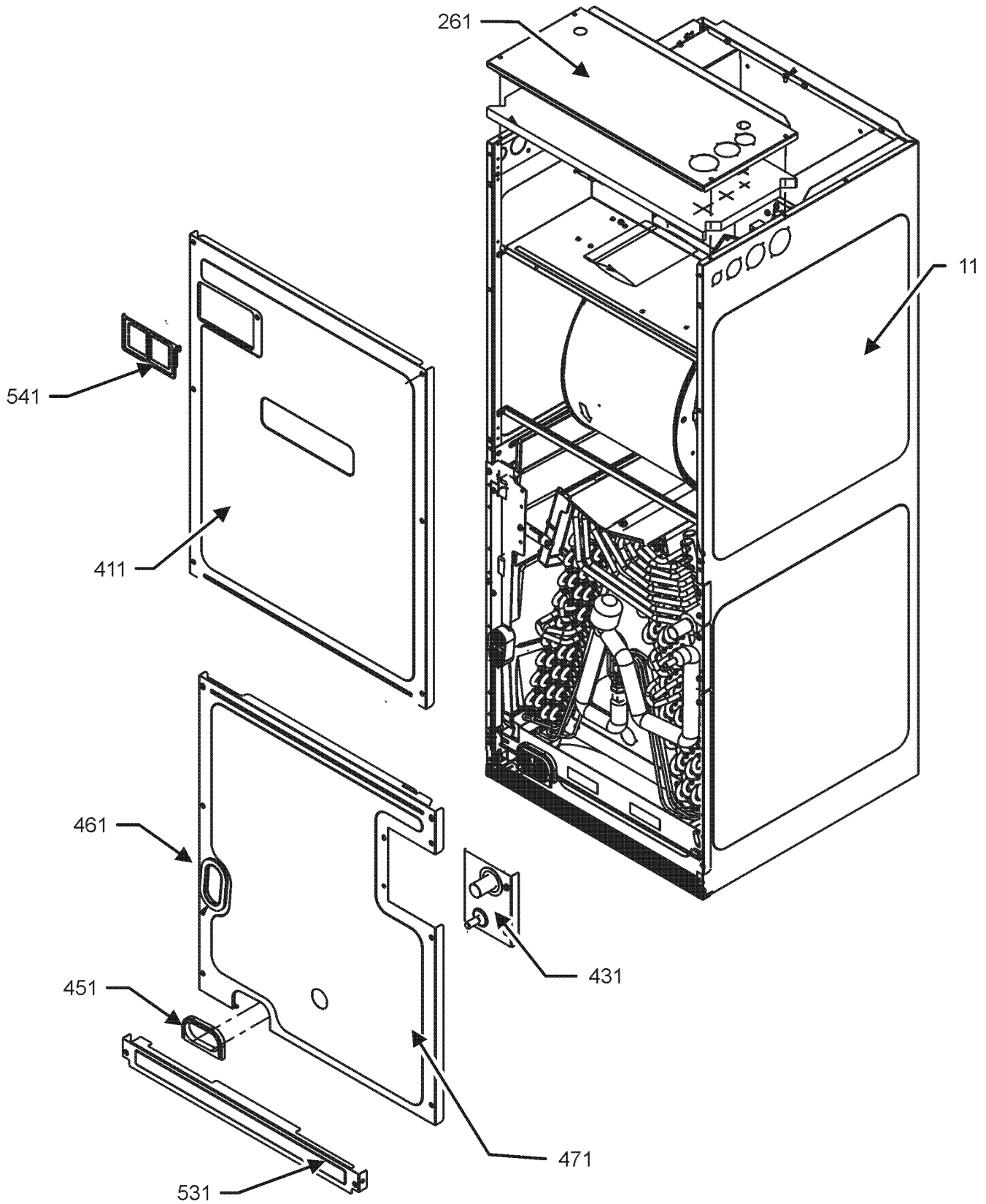
Expanded Model Nomenclature

0131M00272	MOTOR, 1 HP, SERIAL ECM (M18, M19, M20, M21, M22, M23)
0131M00270	MOTOR, 1/2 HP, SERIAL ECM (M1, M2, M7)
0131M00271	MOTOR, 3/4 HP, SERIAL ECM (M3, M4, M5, M6, M8, M9, M10, M11, M12, M13, M14, M15, M16, M17)
0130A00120	PCB SHARED DATA (M20)
0130A00114	PCB SHARED DATA (M1)
0130A00115	PCB SHARED DATA (M8)
0130A00116	PCB SHARED DATA (M5)
0130A00117	PCB SHARED DATA (M10)
0130A00119	PCB SHARED DATA (M12)
0130A00121	PCB SHARED DATA (M22)
0130A00122	PCB SHARED DATA (M16)
0130A00124	PCB SHARED DATA (M3)
0130A00118	PCB SHARED DATA (M18)
PCBJA104	PCB, CONTROL, AIR HANDLER
0130M00423	SHARED DATA (M14)
0130M00426	SHARED DATA (M21)
0130M00424	SHARED DATA (M15)
0130M00359	SHARED DATA (M2)
0130M00422	SHARED DATA (M13)
0130M00421	SHARED DATA (M11)
0130M00420	SHARED DATA (M6)
0130M00368	SHARED DATA (M17)
0130M00427	SHARED DATA (M23)
0130M00363	SHARED DATA (M9)
0130M00362	SHARED DATA (M7)
0130M00360	SHARED DATA (M4)
0130M00425	SHARED DATA (M19)
0130M00138	TRANSFORMER 208/230, 24V
0151R00133	VALVE, TXV R-410A (M18, M19, M20, M21, M22, M23)
0151R00131	VALVE, TXV R-410A (M8, M9, M10, M11, M12, M13, M16, M17)
0151R00130	VALVE, TXV R-410A (M1, M2, M3, M4, M5, M6)
0151M00067	VALVE, TXV R-410A BOOSTER CHG (M15)
0151M00066	VALVE, TXV R-410A BOOSTER CHG (M14)
0151M00065	VALVE, TXV R-410A BOOSTER CHG (M7)

M1 - AVPTC25B14AA
M2 - AVPTC25B14AB
M3 - AVPTC29B14AA
M4 - AVPTC29B14AB
M5 - AVPTC31C14AA
M6 - AVPTC31C14AC
M7 - AVPTC33C14AB
M8 - AVPTC37B14AA
M9 - AVPTC37B14AB
M10 - AVPTC37C14AA
M11 - AVPTC37C14AC
M12 - AVPTC37D14AA
M13 - AVPTC37D14AC
M14 - AVPTC39C14AC
M15 - AVPTC49C14AC
M16 - AVPTC49D14AA
M17 - AVPTC49D14AB
M18 - AVPTC59C14AA
M19 - AVPTC59C14AC
M20 - AVPTC59D14AA
M21 - AVPTC59D14AC
M22 - AVPTC61D14AA
M23 - AVPTC61D14AC

WRAPPER ASSEMBLY

WRAPPER ASSEMBLY



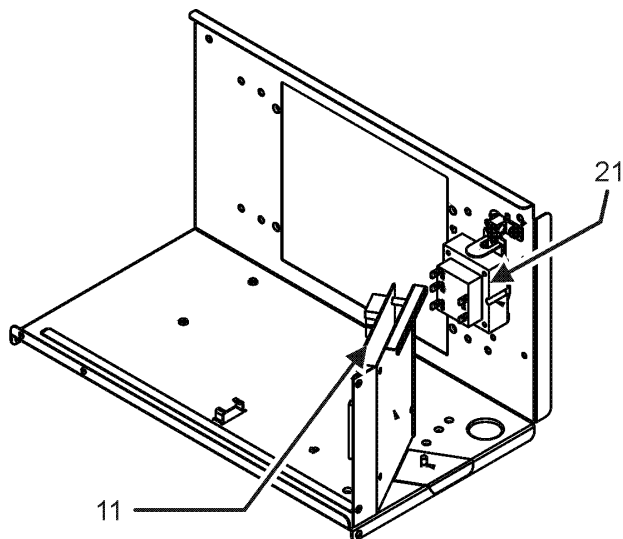
WRAPPER ASSEMBLY

Ref. Part No:	Description:	Ref. Part No:	Description:
Image 1:		Expanded Model Nomenclature	
11	0121A00455PDG WRAPPER (M12, M13, M20, M21)	M1 -	AVPTC25B14AA
11	0121A00456PDG WRAPPER (M5, M6, M10, M11, M18, M19)	M2 -	AVPTC25B14AB
11	0121A00458PDG WRAPPER (M3, M4, M8, M9)	M3 -	AVPTC29B14AA
11	0121A00276PDG WRAPPER, LARGE, PAINTED (M16, M17, M22, M23)	M4 -	AVPTC29B14AB
11	0121A00280PDG WRAPPER, MED, PAINTED (M7, M14, M15)	M5 -	AVPTC31C14AA
11	0121A00281PDG WRAPPER, SM, PAINTED (M1, M2)	M6 -	AVPTC31C14AC
261	0121A00373PDG Plate, Upper Tie (M1, M2, M3, M4, M8, M9)	M7 -	AVPTC33C14AB
261	0121A00374PDG Plate, Upper Tie (M5, M6, M7, M10, M11, M14, M15, M18, M19)	M8 -	AVPTC37B14AA
261	0121A00375PDG Plate, Upper Tie (M12, M13, M16, M17, M20, M21, M22, M23)	M9 -	AVPTC37B14AB
411	0121A00838PDG PANEL, UPPER ACCESS (M1, M2, M3, M4, M8, M9)	M10 -	AVPTC37C14AA
411	0121A00836PDG PANEL, UPPER ACCESS (M12, M13, M16, M17, M20, M21, M22, M23)	M11 -	AVPTC37C14AC
411	0121A00837PDG PANEL, UPPER ACCESS (M5, M6, M7, M10, M11, M14, M15, M18, M19)	M12 -	AVPTC37D14AA
431	0121A00658PDG Panel, Refrigerant Tubing	M13 -	AVPTC37D14AC
451	0154A00006BL GASKET, DRAIN PAN	M14 -	AVPTC39C14AC
461	0154A00007BL GASKET, DRAIN PAN	M15 -	AVPTC49C14AC
471	0121A00460PDG LOWER ACCESS PANEL (M12, M13, M20, M21)	M16 -	AVPTC49D14AA
471	0121A00461PDG LOWER ACCESS PANEL (M5, M6, M10, M11, M18, M19)	M17 -	AVPTC49D14AB
471	0121A00463PDG LOWER ACCESS PANEL (M3, M4, M8, M9)	M18 -	AVPTC59C14AA
471	0121A00618PDG LOWER ACCESS PANEL (M16, M17, M22, M23)	M19 -	AVPTC59C14AC
471	0121A00620PDG LOWER ACCESS PANEL (M1, M2)	M20 -	AVPTC59D14AA
471	0121A00619PDG LOWER ACCESS PANEL, PAINTED (M7, M14, M15)	M21 -	AVPTC59D14AC
531	0121A00242PDG Panel, Filter Access (M1, M2, M3, M4, M8, M9)	M22 -	AVPTC61D14AA
531	0121A00243PDG Panel, Filter Access (M5, M6, M7, M10, M11, M14, M15, M18, M19)	M23 -	AVPTC61D14AC
531	0121A00244PDG Panel, Filter Access (M12, M13, M16, M17, M20, M21, M22, M23)		
541	0161A00073 CIRCUIT BREAKER COVER		
NS	BT1369063 90 DEGREE STUB		
NS	0164A00002 GROMMET		
NS	0163M00036 SCREW,#10X1/2,B,BZ,SLOT,SR,BLK (QTY 4)		
NS	0163A00026 THUMB SCREW (QTY 2)		
NS	BT1392909 WASHER; SS RETAINING (QTY 2)		

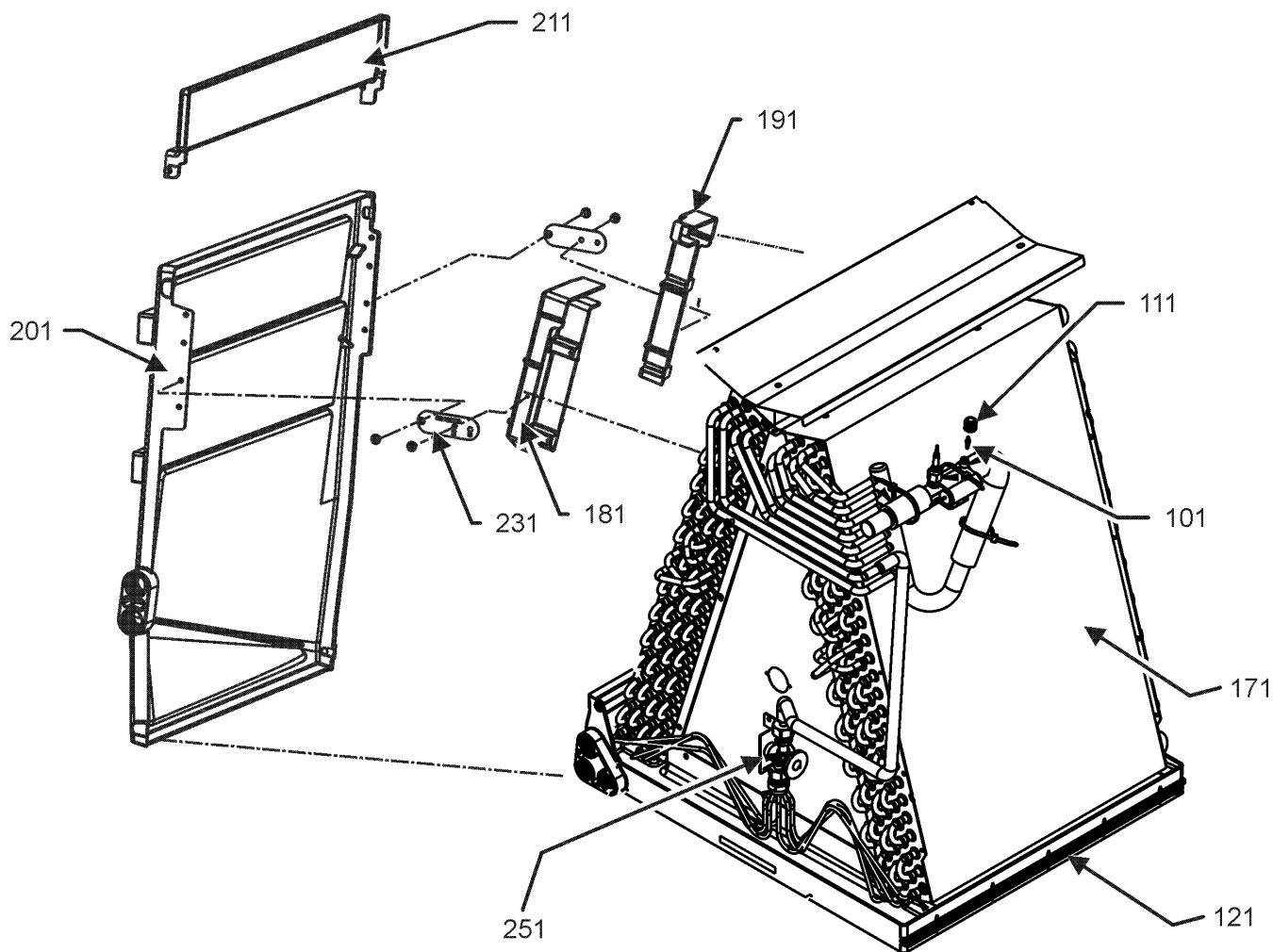
CONTROL BOX & COIL ASSEMBLY

CONTROL PANEL ASSEMBLY

NOTE: CONTROL PANEL ASSEMBLY MAY DIFFER FROM WHAT IS SHOWN



COIL TUBING ASSEMBLY



NOTE: COIL TUBING ASSEMBLY MAY DIFFER FROM WHAT IS SHOWN

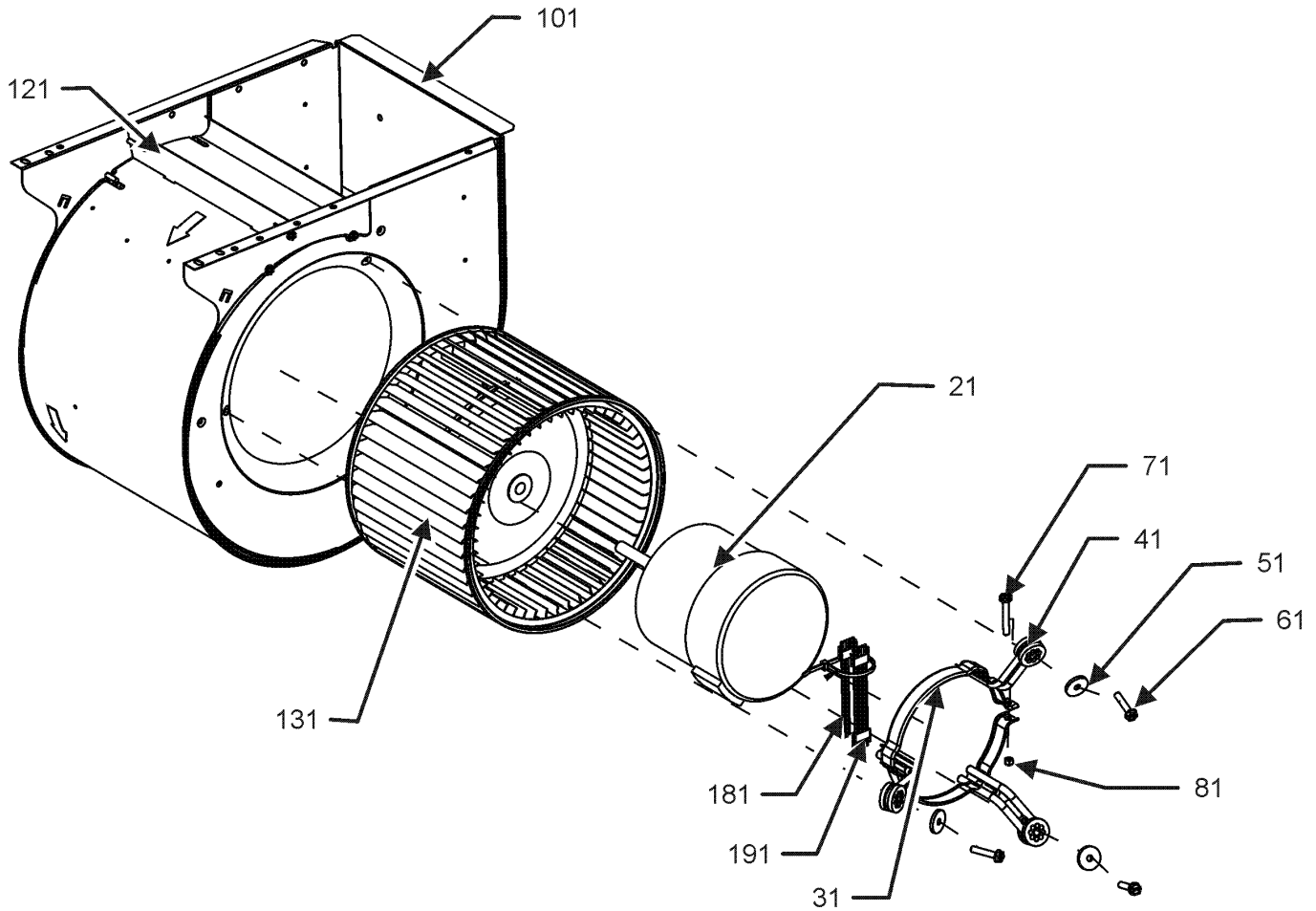
CONTROL BOX & COIL ASSEMBLY

Ref. Part No: No:	Description:	Ref. Part No: No:	Description:
Image 1:		Expanded Model Nomenclature	
11	PCBJA104	M1	AVPTC25B14AA
21	0130M00138	M2	AVPTC25B14AB
101	0163M00175	M3	AVPTC29B14AA
111	B1787000	M4	AVPTC29B14AB
121	0161A00049	M5	AVPTC31C14AA
121	0161A00051	M6	AVPTC31C14AC
		M7	AVPTC33C14AB
121	0161A00052	M8	AVPTC37B14AA
		M9	AVPTC37B14AB
171	0270A00854	M10	AVPTC37C14AA
171	0270A00855	M11	AVPTC37C14AC
171	0270A00857	M12	AVPTC37D14AA
171	0270A00903	M13	AVPTC37D14AC
171	0270A00906	M14	AVPTC39C14AC
171	0270A01030	M15	AVPTC49C14AC
171	0270A01032	M16	AVPTC49D14AA
171	0270A01032	M17	AVPTC49D14AB
171	0270A01034	M18	AVPTC59C14AA
171	0270A01081	M19	AVPTC59C14AC
171	0270A01085	M20	AVPTC59D14AA
171	0270A01086	M21	AVPTC59D14AC
171	0270A01097	M22	AVPTC61D14AA
171	0270A01194	M23	AVPTC61D14AC
181	0161A00060		
191	0161A00061		
201	0161A00055		
201	0161A00053		
211	0161A00054		
211	0161A00056		
231	0121A00633		
231	0121A00634		
251	0151R00130		
251	0151R00131		
251	0151R00133		
251	0151M00065		
251	0151M00066		
251	0151M00067		
NS	0259A00012P		
NS	0259A00016		

BLOWER ASSEMBLY

BLOWER ASSEMBLY

*If end bells are needed please order the following:
0131M00182 - 1/2 HP
0131M00183 - 3/4 HP
0131M00184 - 1 HP



BLOWER ASSEMBLY

Ref. Part No: No:	Description:	Ref. Part No: No:	Description:
Image 1:		Image 1:	
21	0131M00272	MOTOR, 1 HP, SERIAL ECM (M18, M19, M20, M21, M22, M23)	NS 0130M00426 SHARED DATA (M21) NS 0130M00427 SHARED DATA (M23)
21	0131M00270	MOTOR, 1/2 HP, SERIAL ECM (M1, M2, M7)	Expanded Model Nomenclature M1 - AVPTC25B14AA M2 - AVPTC25B14AB M3 - AVPTC29B14AA M4 - AVPTC29B14AB M5 - AVPTC31C14AA M6 - AVPTC31C14AC M7 - AVPTC33C14AB M8 - AVPTC37B14AA M9 - AVPTC37B14AB M10 - AVPTC37C14AA M11 - AVPTC37C14AC M12 - AVPTC37D14AA M13 - AVPTC37D14AC M14 - AVPTC39C14AC M15 - AVPTC49C14AC M16 - AVPTC49D14AA M17 - AVPTC49D14AB M18 - AVPTC59C14AA M19 - AVPTC59C14AC M20 - AVPTC59D14AA M21 - AVPTC59D14AC M22 - AVPTC61D14AA M23 - AVPTC61D14AC
21	0131M00271	MOTOR, 3/4 HP, SERIAL ECM (M3, M4, M5, M6, M8, M9, M10, M11, M12, M13, M14, M15, M16, M17)	
31	0121M00038	MOTOR MOUNT BAND (M1, M2, M3, M4, M5, M6, M7, M8, M9, M10, M11, M14, M15)	
31	0121M00039	MOTOR MOUNT BAND (HEAVY DUTY) (M12, M13, M16, M17, M18, M19, M20, M21, M22, M23)	
41	B1376853	MOTOR MOUNT ARM (M5, M6, M7, M10, M11, M14, M15)	
41	B1376861	MOTOR MOUNT ARM (M1, M2, M3, M4, M8, M9)	
41	B1376863	MOTOR MOUNT ARM (HEAVY DUTY) (M12, M13, M16, M17, M18, M19, M20, M21, M22, M23)	
51	B1392918	WASHER, FLAT 1/4 ID X 1 OD (QTY 3)	
61	M0250565	TC SCREW 1.25" (QTY 3)	
71	0163M00320	HEX HED ALL THREAD TAP BOLT	
81	B1393800	LOCKNUT, NYLON, INSERT 1/4, 20	
101	0271A00016	BLOWER HOUSING ASSY 10 X 10 (M12, M13, M16, M17)	
101	0271A00029	BLOWER HOUSING ASSY 10 X 8 (M5, M6, M7, M10, M11, M14, M15, M18, M19)	
101	0271A00206	BLOWER SHELL ASSY (M20, M21, M22, M23)	
101	0271A00299	BLOWER SHELL ASSY 9X6, MORRISON (M1, M2, M3, M4, M8, M9)	
121	764741	BLOWER BLOCK-OFF 10 X 10 (M12, M13, M16, M17)	
121	764740	BLOWER BLOCK-OFF 10 X 8 (M5, M6, M7, M10, M11, M14, M15, M18, M19)	
131	D6723306	BLOWER WHEEL (M12, M13, M16, M17)	
131	B1368016	BLOWER WHEEL 10 X 8 (M18, M19)	
131	B1368058	BLOWER WHEEL 10 X 8 (M5, M6, M7, M10, M11, M14, M15)	
181	0259A00020	HIGH VOLTAGE WIRE HARNESS	
191	0259A00019	WIRE HARNESS (M1, M2, M3, M4, M5, M6, M8, M9, M10, M11, M14, M15, M18, M19)	
NS	0130A00114	PCB SHARED DATA (M1)	
NS	0130A00115	PCB SHARED DATA (M8)	
NS	0130A00116	PCB SHARED DATA (M5)	
NS	0130A00117	PCB SHARED DATA (M10)	
NS	0130A00118	PCB SHARED DATA (M18)	
NS	0130A00119	PCB SHARED DATA (M12)	
NS	0130A00120	PCB SHARED DATA (M20)	
NS	0130A00121	PCB SHARED DATA (M22)	
NS	0130A00122	PCB SHARED DATA (M16)	
NS	0130A00124	PCB SHARED DATA (M3)	
NS	B1393530	SCREW HWH, 10 X 1/2, A, YZD, SLOT, SR (QTY 2)	
NS	0130M00359	SHARED DATA (M2)	
NS	0130M00360	SHARED DATA (M4)	
NS	0130M00362	SHARED DATA (M7)	
NS	0130M00363	SHARED DATA (M9)	
NS	0130M00368	SHARED DATA (M17)	
NS	0130M00420	SHARED DATA (M6)	
NS	0130M00421	SHARED DATA (M11)	
NS	0130M00422	SHARED DATA (M13)	
NS	0130M00423	SHARED DATA (M14)	
NS	0130M00424	SHARED DATA (M15)	
NS	0130M00425	SHARED DATA (M19)	