

*MULTI-POSITION, VARIABLE-SPEED,
ECM-BASED AIR HANDLER
WITH INTERNAL TXV
COMFORTNET® COMPATIBLE
1½ TO 5 TONS*



Contents

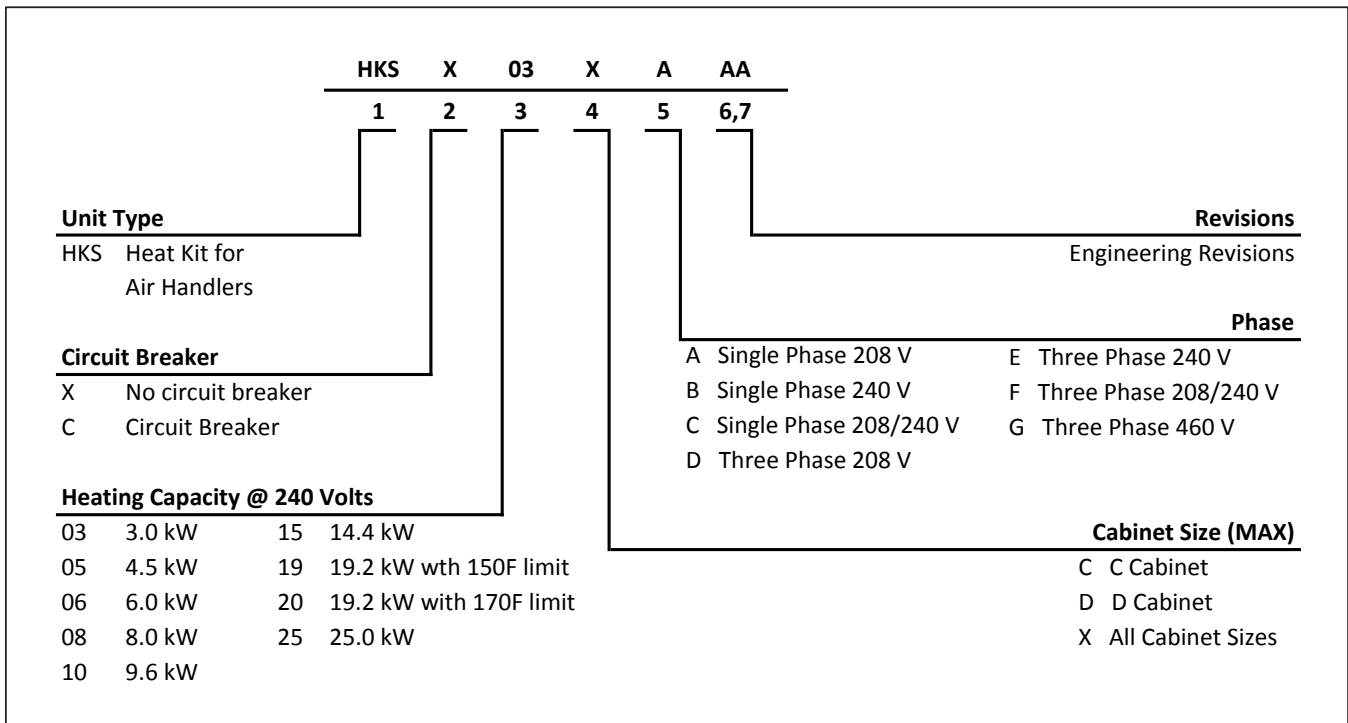
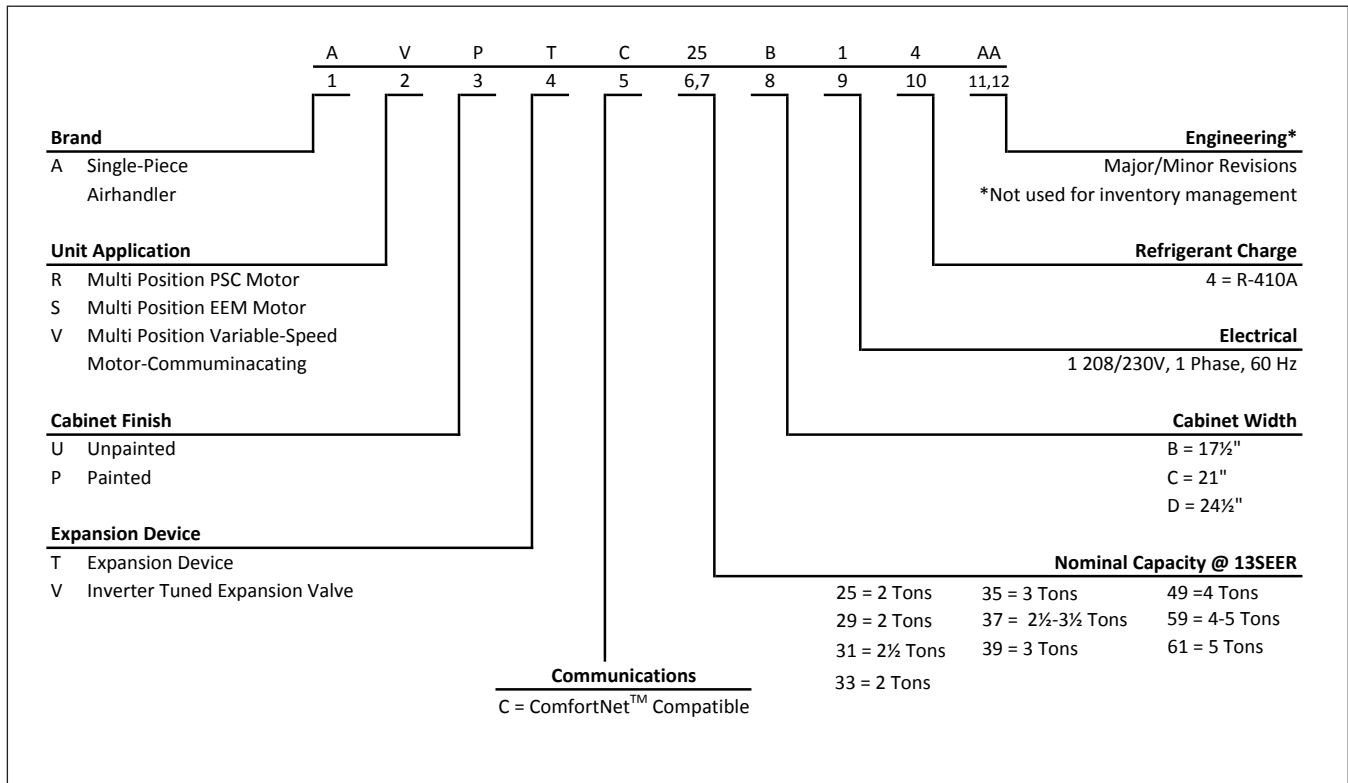
Air Handler Nomenclature..... 2
 Heater Kit Nomenclature 2
 Product Specifications..... 3
 Dimensions 4
 Airflow Data 5
 Heat Kit Data..... 7
 Wiring Diagram..... 16
 Accessories 18

Product Features

- Internal factory-installed thermal expansion valves for cooling and heat pump applications
- Variable-speed ECM blower motor
- ComfortNet® Communicating System compatible
- Auto configuration of the airflow and tonnage in communicating mode
- Provides constant CFM over a wide range of static pressure conditions independent of duct system
- CFM indicator
- Fault recall of six most recent faults
- Provides adjustable low CFM for efficient fan-only operation
- Improved humidity and comfort control
- Built-in compatibility with multi-stage heat pump and cooling applications
- All-aluminum evaporator coil
- AHRI certified; ETL listed
- Rigid SmartFrame™ cabinet
- Cabinet air leakage less than 2.0% at 1.0 inch H₂O when tested in accordance with ASHRAE standard 193
- Cabinet air leakage less than 1.4% at 0.5 inch H₂O when tested in accordance with ASHRAE standard 193
- Horizontal or vertical configuration capabilities
- 21" depth for easier attic access
- DecaBDE-free thermoplastic drain pan with secondary drain connections
- Screw-less sides and back helps to reduce condensation when installed in humid locations
- Foil-faced insulation covers the internal casing to reduce cabinet condensation
- Galvanized, leather grain-embossed finish
- Glue-less cabinet insulation retention
- Tool-less filter access
- Field Installed 3 kW – 25 kW electric heater kits available



* Complete warranty details available from your local dealer or at www.goodmanmfg.com. To receive the 10-Year Parts Limited Warranty, online registration must be completed within 60 days of installation. Online registration is not required in California or Quebec.

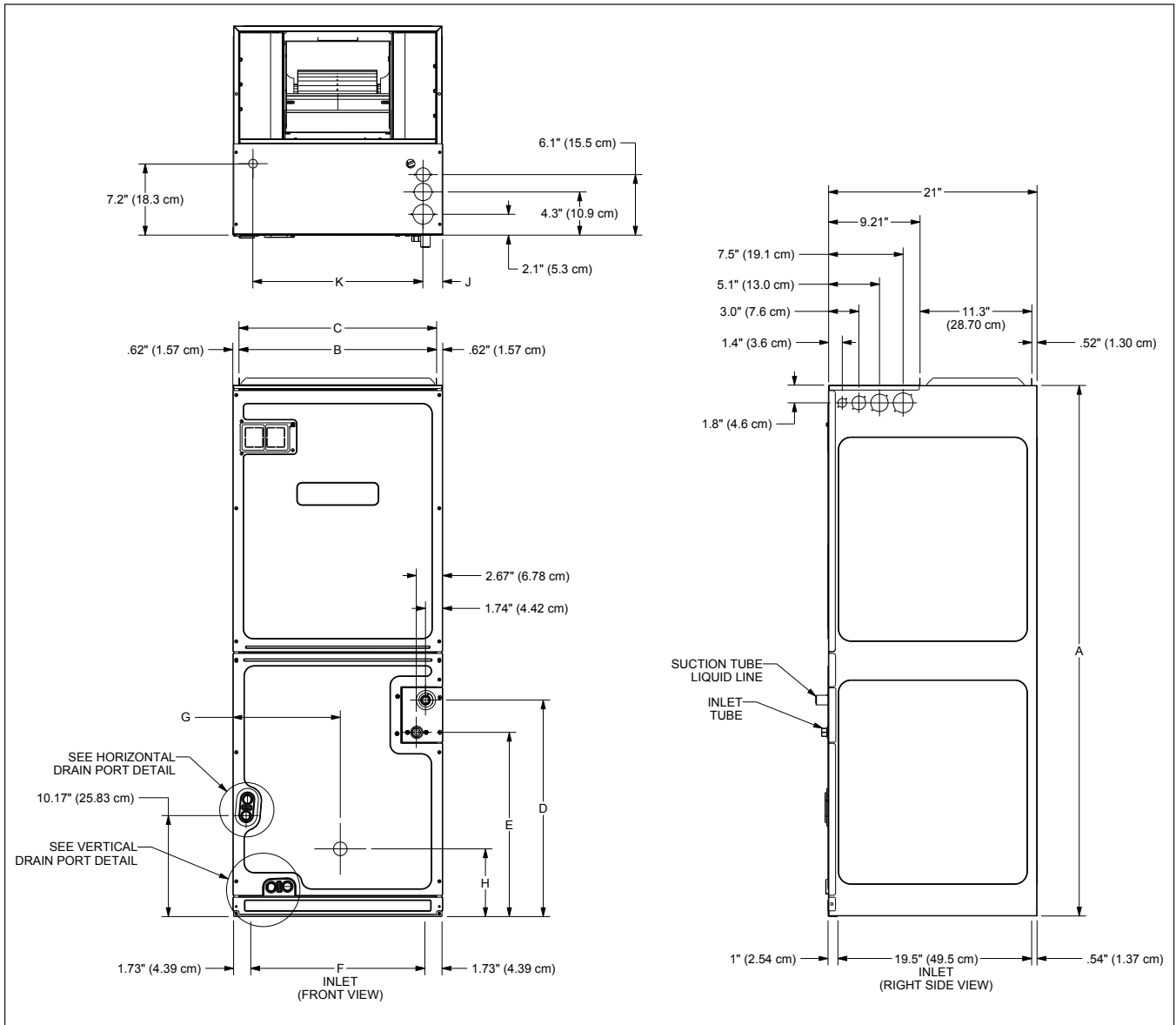


| | AVPTC 25B14A* | AVPTC 29B14A* | AVPTC 31C14A* | AVPTC 33C14* | AVPTC 35B14A* | AVPTC 37B14A* | AVPTC 37C14A* | AVPTC 37D14A* |
|--------------------------------|------------------|------------------|------------------|-----------------|------------------|------------------|------------------|------------------|
| NOMINAL RATINGS | | | | | | | | |
| Cooling (BTU/h) | 24,000 | 30,000 | 30,000 | 24,000 | 28,000 | 36,000 | 36,000 | 36,000 |
| CFM (High range) | 1085/650 | 1085/610 | 1315/870 | 1090/685 | 1020/685 | 1085/610 | 1315/870 | 1375/865 |
| BLOWER | | | | | | | | |
| Diameter | 9½" | 9½" | 10⅝" | 10⅝" | 9½" | 9½" | 10⅝" | 10⅝" |
| Width | 6" | 6" | 8" | 8" | 6" | 6" | 8" | 10⅝" |
| Coil Drain Connection FPT | ¾" | ¾" | ¾" | ¾" | ¾" | ¾" | ¾" | ¾" |
| SERVICE VALVE | | | | | | | | |
| Liquid | ⅜" | ⅜" | ⅜" | ⅜" | ⅜" | ⅜" | ⅜" | ⅜" |
| Suction | ¾" | ⅞" | ⅞" | ⅞" | ¾" | ⅞" | ⅞" | ⅞" |
| ELECTRICAL DATA | | | | | | | | |
| Voltage | 208/240 | 208/240 | 208/240 | 208/240 | 208/240 | 208/240 | 208/240 | 208/240 |
| Min Circuit Ampacity | 4.9/4.9 | 6.5/6.5 | 6.5/6.5 | 4.9/4.9 | 4.9/4.9 | 6.5/6.5 | 6.5/6.5 | 6.5/6.5 |
| Max. Overcurrent Device (amps) | 15/15 | 15/15 | 15/15 | 15/15 | 15/15 | 15/15 | 15/15 | 15/15 |
| Minimum VAC | 197 | 197 | 197 | 197 | 197 | 197 | 197 | 197 |
| Maximum VAC | 253 | 253 | 253 | 253 | 253 | 253 | 253 | 253 |
| BLOWER MOTOR | | | | | | | | |
| FLA | 3.9 | 5.2 | 5.2 | 3.9 | 3.9 | 5.2 | 5.2 | 5.2 |
| HP | ½ | ¾ | ¾ | ½ | ½ | ¾ | ¾ | ¾ |
| SHIP WEIGHT (LBS) | 116 | 129 | 144 | 118 | 116 | 129 | 144 | 155 |

Note: Minimum Circuit Ampacity (MCA) and Maximum Overcurrent Protection (MOP) for blower without supplemental heat installed. Refer to unit nameplate and/or Heat Kit Data for specification with approved accessory heaters installed

| | AVPTC 39C14* | AVPTC 49C14* | AVPTC 49D14A* | AVPTC 59C14A* | AVPTC 59D14A* | AVPTC 61D14A* |
|--------------------------------|-----------------|-----------------|------------------|------------------|------------------------------------|------------------------------------|
| NOMINAL RATINGS | | | | | | |
| Cooling (BTU/h) | 36,000 | 48,000 | 42,000 | 48,000 | 48,000 | 60,000 |
| CFM (High range) | 1315/965 | 1420/1040 | 1530/1195 | 1595/875 | 1990/1445 | 2025/1630 |
| BLOWER | | | | | | |
| Diameter | 10⅝" | 10⅝" | 10⅝" | 10⅝" | 11 ¹⁵ / ₁₆ " | 11 ¹⁵ / ₁₆ " |
| Width | 8" | 8" | 10⅝" | 8" | 10⅝" | 10⅝" |
| Coil Drain Connection FPT | ¾" | ¾" | ¾" | ¾" | ¾" | ¾" |
| SERVICE VALVE | | | | | | |
| Liquid | ⅜" | ⅜" | ⅜" | ⅜" | ⅜" | ⅜" |
| Suction | ⅞" | ⅞" | ⅞" | ⅞" | ⅞" | ⅞" |
| ELECTRICAL DATA | | | | | | |
| Voltage | 208/240 | 208/240 | 208/240 | 208/240 | 208/240 | 208/240 |
| Min Circuit Ampacity | 6.5/6.5 | 6.5/6.5 | 6.5/6.5 | 8.6/8.6 | 8.6/8.6 | 8.6/8.6 |
| Max. Overcurrent Device (amps) | 15/15 | 15/15 | 15/15 | 15/15 | 15/15 | 15/15 |
| Minimum VAC | 197 | 197 | 197 | 197 | 197 | 197 |
| Maximum VAC | 253 | 253 | 253 | 253 | 253 | 253 |
| BLOWER MOTOR | | | | | | |
| FLA | 5.2 | 5.2 | 5.2 | 6.9 | 6.9 | 6.9 |
| HP | ¾ | ¾ | ¾ | 1 | 1 | 1 |
| SHIP WEIGHT (LBS) | 118 | 125 | 167 | 144 | 155 | 167 |

Note: Minimum Circuit Ampacity (MCA) and Maximum Overcurrent Protection (MOP) for blower without supplemental heat installed. Refer to unit nameplate and/or Heat Kit Data for specification with approved accessory heaters installed



| MODEL | A | B | C | D | E | F | G | H |
|-------------|-------------------|-------------------|------------------|--------------------|-------------------|--------------------|--------------------|-------------------|
| AVPTC25B14* | 45 | 16 $\frac{3}{16}$ | 17 $\frac{1}{2}$ | 15 $\frac{1}{4}$ | 12 | 14 $\frac{1}{16}$ | 9 $\frac{1}{8}$ | 12 $\frac{3}{8}$ |
| AVPTC29B14* | 53 $\frac{7}{16}$ | 16 $\frac{3}{16}$ | 17 $\frac{1}{2}$ | 23 $\frac{11}{16}$ | 20 $\frac{1}{2}$ | 14 $\frac{1}{16}$ | 9 $\frac{1}{8}$ | 7 $\frac{1}{8}$ |
| AVPTC31C14* | 53 $\frac{7}{16}$ | 19 $\frac{1}{8}$ | 21 | 21 $\frac{13}{16}$ | 18 $\frac{1}{8}$ | 17 $\frac{11}{16}$ | 10 $\frac{13}{16}$ | 6 $\frac{13}{16}$ |
| AVPTC33C14* | 49 | 19 $\frac{1}{8}$ | 21 | 17 $\frac{9}{16}$ | 14 $\frac{3}{8}$ | 17 $\frac{11}{16}$ | 10 $\frac{9}{16}$ | 12 $\frac{1}{2}$ |
| AVPTC35B14* | 45 | 16 $\frac{3}{16}$ | 17 $\frac{1}{2}$ | 15 $\frac{1}{4}$ | 12 | 14 $\frac{1}{16}$ | 9 $\frac{1}{8}$ | 12 $\frac{3}{8}$ |
| AVPTC37B14* | 53 $\frac{7}{16}$ | 16 $\frac{3}{16}$ | 17 $\frac{1}{2}$ | 23 $\frac{11}{16}$ | 20 $\frac{1}{2}$ | 14 $\frac{1}{16}$ | 9 $\frac{1}{8}$ | 7 $\frac{1}{8}$ |
| AVPTC37C14* | 53 $\frac{7}{16}$ | 19 $\frac{1}{8}$ | 21 | 21 $\frac{13}{16}$ | 18 $\frac{1}{8}$ | 17 $\frac{11}{16}$ | 10 $\frac{13}{16}$ | 6 $\frac{13}{16}$ |
| AVPTC37D14* | 53 $\frac{7}{16}$ | 23 $\frac{5}{16}$ | 24 $\frac{1}{2}$ | 21 $\frac{1}{2}$ | 18 $\frac{5}{16}$ | 21 $\frac{3}{16}$ | 12 $\frac{3}{8}$ | 6 $\frac{1}{8}$ |
| AVPTC39C14* | 49 | 19 $\frac{1}{8}$ | 21 | 17 $\frac{9}{16}$ | 14 $\frac{3}{8}$ | 17 $\frac{11}{16}$ | 10 $\frac{9}{16}$ | 12 $\frac{1}{2}$ |
| AVPTC49C14* | 49 | 19 $\frac{1}{8}$ | 21 | 17 $\frac{9}{16}$ | 14 $\frac{3}{8}$ | 17 $\frac{11}{16}$ | 10 $\frac{9}{16}$ | 12 $\frac{1}{2}$ |
| AVPTC49D14* | 58 | 23 $\frac{5}{16}$ | 24 $\frac{1}{2}$ | 26 $\frac{1}{8}$ | 22 $\frac{1}{2}$ | 21 $\frac{3}{16}$ | 12 $\frac{3}{8}$ | 25 $\frac{1}{8}$ |
| AVPTC59C14* | 53 $\frac{7}{16}$ | 19 $\frac{1}{8}$ | 21 | 21 $\frac{13}{16}$ | 18 $\frac{1}{8}$ | 17 $\frac{11}{16}$ | 10 $\frac{13}{16}$ | 6 $\frac{13}{16}$ |
| AVPTC59D14* | 53 $\frac{7}{16}$ | 23 $\frac{5}{16}$ | 24 $\frac{1}{2}$ | 21 $\frac{1}{2}$ | 18 $\frac{5}{16}$ | 21 $\frac{3}{16}$ | 12 $\frac{3}{8}$ | 6 $\frac{1}{8}$ |
| AVPTC61D14* | 58 | 23 $\frac{5}{16}$ | 24 $\frac{1}{2}$ | 26 $\frac{1}{8}$ | 22 $\frac{1}{2}$ | 21 $\frac{3}{16}$ | 12 $\frac{3}{8}$ | 25 $\frac{1}{8}$ |

| MODEL | SPEED TAP | | 0.1 | 0.2 | 0.3 | 0.4 | 0.5 | 0.6 | 0.7 | 0.8 | 0.9 |
|------------------------------|-----------|------|------|------|------|------|------|------|------|------|------|
| AVPTC25B14AB | A | Low | 460 | 445 | 445 | 425 | 410 | 400 | 400 | 400 | 395 |
| | B | Low | 620 | 610 | 600 | 605 | 600 | 590 | 585 | 575 | 565 |
| | C | Low | 700 | 695 | 690 | 690 | 690 | 690 | 675 | 665 | 660 |
| | D | Low | 750 | 750 | 745 | 745 | 740 | 730 | 720 | 710 | 700 |
| | A | High | 670 | 660 | 650 | 650 | 655 | 645 | 640 | 635 | 625 |
| | B | High | 870 | 865 | 855 | 850 | 840 | 840 | 840 | 830 | 835 |
| | C | High | 1000 | 990 | 980 | 975 | 965 | 965 | 955 | 955 | 945 |
| | D | High | 1105 | 1095 | 1085 | 1075 | 1065 | 1055 | 1050 | 1040 | 1030 |
| AVPTC29B14AB AVPTC37B14AB | A | Low | 390 | 385 | 375 | 360 | 350 | 335 | 325 | 315 | 305 |
| | B | Low | 545 | 540 | 545 | 540 | 540 | 540 | 535 | 530 | 525 |
| | C | Low | 610 | 620 | 630 | 635 | 630 | 625 | 620 | 625 | 625 |
| | D | Low | 720 | 735 | 740 | 740 | 735 | 730 | 725 | 715 | 705 |
| | A | High | 615 | 620 | 610 | 605 | 610 | 615 | 615 | 620 | 625 |
| | B | High | 790 | 795 | 795 | 795 | 795 | 790 | 800 | 795 | 785 |
| | C | High | 925 | 930 | 930 | 925 | 925 | 920 | 915 | 910 | 905 |
| | D | High | 1085 | 1085 | 1085 | 1080 | 1080 | 1075 | 1070 | 1065 | 1060 |
| AVPTC31C14AD AVPTC37C14AC | A | Low | 610 | 600 | 590 | 590 | 600 | 605 | 610 | 610 | 610 |
| | B | Low | 710 | 710 | 705 | 705 | 695 | 690 | 685 | 675 | 665 |
| | C | Low | 845 | 845 | 845 | 825 | 815 | 810 | 800 | 805 | 795 |
| | D | Low | 915 | 910 | 910 | 900 | 850 | 840 | 830 | 820 | 825 |
| | A | High | 885 | 880 | 880 | 860 | 850 | 840 | 830 | 820 | 830 |
| | B | High | 1055 | 1055 | 1055 | 1040 | 1030 | 1015 | 1005 | 995 | 985 |
| | C | High | 1275 | 1270 | 1265 | 1260 | 1250 | 1240 | 1230 | 1215 | 1205 |
| | D | High | 1365 | 1360 | 1360 | 1330 | 1300 | 1290 | 1280 | 1270 | 1255 |
| AVPTC33C14AB | A | Low | 500 | 480 | 460 | 445 | 430 | 415 | 400 | 380 | 365 |
| | B | Low | 580 | 565 | 545 | 535 | 525 | 515 | 505 | 495 | 485 |
| | C | Low | 710 | 700 | 685 | 675 | 670 | 665 | 655 | 645 | 640 |
| | D | Low | 725 | 750 | 755 | 760 | 755 | 745 | 735 | 725 | 715 |
| | A | High | 710 | 700 | 685 | 685 | 685 | 680 | 670 | 660 | 645 |
| | B | High | 765 | 780 | 785 | 785 | 785 | 775 | 770 | 760 | 745 |
| | C | High | 950 | 960 | 970 | 970 | 970 | 960 | 955 | 945 | 935 |
| | D | High | 1090 | 1090 | 1090 | 1095 | 1090 | 1085 | 1080 | 1075 | 1065 |
| AVPTC35B14 | A | Low | 395 | 390 | 395 | 390 | 385 | 380 | 380 | 380 | 380 |
| | B | Low | 580 | 580 | 590 | 580 | 575 | 580 | 575 | 575 | 575 |
| | C | Low | 670 | 670 | 680 | 690 | 680 | 670 | 660 | 660 | 665 |
| | D | Low | 715 | 705 | 710 | 720 | 715 | 705 | 690 | 685 | 680 |
| | A | High | 645 | 630 | 645 | 645 | 635 | 630 | 630 | 635 | 635 |
| | B | High | 900 | 875 | 870 | 870 | 870 | 870 | 865 | 855 | 845 |
| | C | High | 1030 | 1015 | 1005 | 995 | 990 | 985 | 990 | 990 | 980 |
| | D | High | 1075 | 1060 | 1045 | 1035 | 1030 | 1025 | 1020 | 1020 | 1015 |
| AVPTC37D14AC | A | Low | 605 | 605 | 605 | 575 | 560 | 545 | 525 | 510 | 500 |
| | B | Low | 730 | 725 | 725 | 700 | 700 | 695 | 680 | 660 | 645 |
| | C | Low | 820 | 820 | 820 | 800 | 760 | 750 | 740 | 720 | 700 |
| | D | Low | 870 | 885 | 940 | 885 | 875 | 865 | 850 | 835 | 835 |
| | A | High | 910 | 905 | 900 | 870 | 870 | 860 | 855 | 845 | 845 |
| | B | High | 1085 | 1080 | 1080 | 1060 | 1060 | 1055 | 1045 | 1035 | 1020 |
| | C | High | 1230 | 1225 | 1225 | 1205 | 1205 | 1200 | 1190 | 1185 | 1180 |
| | D | High | 1405 | 1405 | 1405 | 1370 | 1365 | 1355 | 1345 | 1335 | 1330 |

Note: When applying a humidistat (normally closed), refer to the installation and operating instructions. The humidistat can adjust the cooling airflow to 85%.

AIRFLOW DATA (CONT.)

| MODEL | SPEED TAP | | 0.1 | 0.2 | 0.3 | 0.4 | 0.5 | 0.6 | 0.7 | 0.8 | 0.9 |
|--------------|-----------|------|------|------|------|------|------|------|------|------|------|
| AVPTC39C14AC | A | Low | 715 | 695 | 680 | 685 | 685 | 680 | 675 | 665 | 650 |
| | B | Low | 755 | 770 | 780 | 780 | 780 | 780 | 770 | 765 | 755 |
| | C | Low | 780 | 790 | 795 | 805 | 800 | 800 | 795 | 805 | 795 |
| | D | Low | 875 | 885 | 890 | 890 | 890 | 890 | 885 | 880 | 875 |
| | A | High | 960 | 960 | 965 | 970 | 965 | 965 | 960 | 955 | 950 |
| | B | High | 1120 | 1115 | 1115 | 1115 | 1120 | 1115 | 1115 | 1110 | 1105 |
| | C | High | 1180 | 1180 | 1175 | 1175 | 1175 | 1175 | 1170 | 1165 | 1160 |
| | D | High | 1325 | 1320 | 1315 | 1315 | 1310 | 1310 | 1310 | 1305 | 1300 |
| AVPTC49C14AC | A | Low | 705 | 710 | 725 | 735 | 740 | 740 | 740 | 735 | 730 |
| | B | Low | 730 | 745 | 760 | 770 | 775 | 775 | 775 | 770 | 765 |
| | C | Low | 850 | 865 | 870 | 875 | 880 | 880 | 875 | 870 | 865 |
| | D | Low | 950 | 955 | 960 | 965 | 965 | 965 | 965 | 960 | 955 |
| | A | High | 1030 | 1040 | 1040 | 1045 | 1045 | 1045 | 1045 | 1040 | 1035 |
| | B | High | 1090 | 1095 | 1095 | 1095 | 1095 | 1095 | 1095 | 1090 | 1085 |
| | C | High | 1290 | 1290 | 1280 | 1285 | 1280 | 1280 | 1275 | 1275 | 1270 |
| | D | High | 1425 | 1425 | 1420 | 1420 | 1415 | 1410 | 1410 | 1405 | 1400 |
| AVPTC49D144B | A | Low | 795 | 815 | 820 | 820 | 810 | 800 | 785 | 785 | 770 |
| | B | Low | 870 | 890 | 895 | 895 | 890 | 875 | 865 | 850 | 850 |
| | C | Low | 985 | 990 | 995 | 995 | 990 | 980 | 970 | 955 | 940 |
| | D | Low | 1040 | 1055 | 1055 | 1055 | 1045 | 1035 | 1025 | 1020 | 1005 |
| | A | High | 1195 | 1195 | 1195 | 1200 | 1195 | 1185 | 1175 | 1165 | 1155 |
| | B | High | 1325 | 1320 | 1320 | 1315 | 1315 | 1305 | 1295 | 1285 | 1275 |
| | C | High | 1460 | 1460 | 1455 | 1455 | 1455 | 1450 | 1440 | 1430 | 1420 |
| | D | High | 1520 | 1530 | 1530 | 1530 | 1530 | 1525 | 1515 | 1510 | 1495 |
| AVPTC59C14AC | A | Low | 635 | 620 | 610 | 600 | 600 | 600 | 600 | 600 | 600 |
| | B | Low | 790 | 805 | 810 | 810 | 805 | 805 | 795 | 810 | 800 |
| | C | Low | 930 | 940 | 940 | 935 | 930 | 925 | 920 | 915 | 905 |
| | D | Low | 1065 | 1065 | 1070 | 1065 | 1060 | 1050 | 1045 | 1035 | 1030 |
| | A | High | 870 | 880 | 875 | 875 | 870 | 865 | 860 | 860 | 845 |
| | B | High | 1230 | 1230 | 1225 | 1220 | 1210 | 1205 | 1200 | 1190 | 1180 |
| | C | High | 1420 | 1410 | 1410 | 1405 | 1395 | 1385 | 1380 | 1380 | 1370 |
| | D | High | 1615 | 1600 | 1595 | 1595 | 1585 | 1580 | 1570 | 1565 | 1555 |
| AVPTC59D14AC | A | Low | 1030 | 1035 | 1040 | 1040 | 1030 | 1025 | 1015 | 995 | 970 |
| | B | Low | 1260 | 1260 | 1260 | 1260 | 1260 | 1250 | 1245 | 1235 | 1225 |
| | C | Low | 1330 | 1335 | 1330 | 1330 | 1325 | 1320 | 1315 | 1305 | 1295 |
| | D | Low | 1395 | 1395 | 1395 | 1390 | 1390 | 1385 | 1375 | 1365 | 1355 |
| | A | High | 1450 | 1445 | 1445 | 1435 | 1430 | 1425 | 1420 | 1410 | 1395 |
| | B | High | 1795 | 1790 | 1790 | 1785 | 1775 | 1765 | 1760 | 1750 | 1745 |
| | C | High | 1890 | 1890 | 1890 | 1880 | 1870 | 1865 | 1855 | 1850 | 1840 |
| | D | High | 1995 | 1995 | 1990 | 1985 | 1985 | 1975 | 1965 | 1955 | 1945 |
| AVPTC61D14AC | A | Low | 1080 | 1085 | 1080 | 1085 | 1080 | 1075 | 1070 | 1065 | 1055 |
| | B | Low | 1200 | 1200 | 1210 | 1210 | 1210 | 1210 | 1205 | 1205 | 1200 |
| | C | Low | 1290 | 1290 | 1280 | 1275 | 1280 | 1280 | 1270 | 1265 | 1265 |
| | D | Low | 1360 | 1355 | 1350 | 1355 | 1350 | 1345 | 1340 | 1340 | 1330 |
| | A | High | 1630 | 1630 | 1630 | 1625 | 1620 | 1615 | 1610 | 1600 | 1590 |
| | B | High | 1820 | 1820 | 1820 | 1815 | 1805 | 1795 | 1785 | 1780 | 1770 |
| | C | High | 1935 | 1930 | 1925 | 1920 | 1905 | 1900 | 1890 | 1875 | 1865 |
| | D | High | 2035 | 2030 | 2025 | 2020 | 2005 | 1995 | 1985 | 1960 | 1955 |

Note: When applying a humidistat (normally closed), refer to the installation and operating instructions. The humidistat can adjust the cooling airflow to 85%.

| HTR kW | 9 | 10 | 11 | AVPTC 25B14 | AVPTC 29B14 | AVPTC 31C14 | AVPTC 33C14 | AVPTC 35B14 | AVPTC 37B14 | AVPTC 37C14 | AVPTC 37D14 | AVPTC 39C14 |
|-----------|-----|-----|-----|-------------|-------------|-------------|-------------|-------------|-------------|-------------|-------------|-------------|
| 3 | ON | ON | ON | 550 | 550 | 600 | 600 | 550 | 550 | --- | --- | --- |
| 5 | ON | ON | OFF | 650 | 650 | 850 | 700 | 660 | 650 | 850 | 1240 | 850 |
| 6 | ON | OFF | ON | 700 | 700 | 900 | 750 | 700 | 700 | 900 | 1240 | 900 |
| 8 | ON | OFF | OFF | 800 | 800 | 1000 | 875 | 800 | 800 | 1000 | 1240 | 1000 |
| 10 | OFF | ON | ON | 850 | 875 | 1170 | 950 | 875 | 875 | 1170 | 1240 | 1170 |
| 15 | OFF | ON | OFF | 875 | 875 | 1345 | 950 | 875 | 1050 | 1345 | 1520 | 1345 |
| 19* | OFF | OFF | ON | --- | --- | 1345 | --- | --- | --- | 1345 | --- | 1345 |
| 20 | | | | --- | --- | --- | --- | --- | --- | --- | 1520 | --- |
| 21 or 25* | OFF | OFF | OFF | --- | --- | --- | --- | --- | --- | --- | --- | --- |

Note: Airflow data shown applies to the electric heat only in either legacy mode or communicating mode operation

--- indicates Not Rated

* Within thermostat user menu, CTK0* communicating thermostat will display 20kW for OFF- OFF- ON dipswitch selection, 21kW for OFF-OFF-OFF dipswitch selection.

† For match up with a 2 ton outdoor unit: Heater kit application shall not exceed 10 kW. Airflow for 5 kW up to 10 kW heater kits shall be set to 850 cfm speed tap of ON-ON-ON.

†† For match up with a 3 ton outdoor unit: Heater kit application shall not exceed 15 kW. Airflow for 5 kW up to 15 kW heater kits shall be set to 1300 cfm speed tap of ON-OFF-ON.

††† For match up with a 3.5 ton outdoor unit: Heater kit application shall not exceed 20 kW. Airflow for 5 kW up to 20 kW heater kits shall be set to 1500 cfm speed tap of ON-OFF-OFF

** 3 kW heater kit is not applicable for this indoor application.

| HTR kW | 9 | 10 | 11 | AVPTC 49C14 | AVPTC 49D14 †† | AVPTC 59C14 | AVPT C59D14 | AVPTC 61D14 ††† |
|-----------|-----|-----|-----|-------------|----------------|-------------|-------------|-----------------|
| 3 | ON | ON | ON | --- | --- | --- | --- | --- |
| 5 | ON | ON | OFF | 1170 | 1250 | 1170 | 1240 | 1250 |
| 6 | ON | OFF | ON | 1170 | 1300 | 1170 | 1240 | 1300 |
| 8 | ON | OFF | OFF | 1170 | 1500 | 1170 | 1240 | 1500 |
| 10 | OFF | ON | ON | 1170 | 1550 | 1170 | 1240 | 1550 |
| 15 | OFF | ON | OFF | 1345 | 1720 | 1345 | 1520 | 1780 |
| 19* | OFF | OFF | ON | 1345 | --- | 1345 | --- | --- |
| 20 | | | | --- | --- | --- | 1520 | 1850 |
| 21 or 25* | OFF | OFF | OFF | --- | --- | --- | --- | 1850 |

Note: Airflow data shown applies to the electric heat only in either legacy mode or communicating mode operation

--- indicates Not Rated

* Within thermostat user menu, CTK0* communicating thermostat will display 20kW for OFF- OFF- ON dipswitch selection, 21kW for OFF-OFF-OFF dipswitch selection.

† For match up with a 2 ton outdoor unit: Heater kit application shall not exceed 10 kW. Airflow for 5 kW up to 10 kW heater kits shall be set to 850 cfm speed tap of ON-ON-ON.

†† For match up with a 3 ton outdoor unit: Heater kit application shall not exceed 15 kW. Airflow for 5 kW up to 15 kW heater kits shall be set to 1300 cfm speed tap of ON-OFF-ON.

††† For match up with a 3.5 ton outdoor unit: Heater kit application shall not exceed 20 kW. Airflow for 5 kW up to 20 kW heater kits shall be set to 1500 cfm speed tap of ON-OFF-OFF

** 3 kW heater kit is not applicable for this indoor application.

HEAT KIT DATA

| HEATER KIT MODEL | | CIRCUIT 1 | | | CIRCUIT 2 | | | SINGLE-POINT KIT | |
|---------------------|------------|-------------|------------------|------------------|-------------|------------------|------------------|------------------|------------------|
| | | HEATER AMPS | MCA ¹ | MOP ² | HEATER AMPS | MCA ¹ | MOP ² | MCA ¹ | MOP ² |
| AVPTC25B14AB | | 0/0 | 4.9/4.9 | 15/15 | --- | --- | --- | --- | --- |
| HKSX03XC - 208 V | No Breaker | 10.8 | 18.4 | 20 | --- | --- | --- | --- | --- |
| HKSX05XC - 208 V | | 17.3 | 27 | 30 | --- | --- | --- | --- | --- |
| HKSX06XC - 208 V | | 21.7 | 32 | 35 | --- | --- | --- | --- | --- |
| HKSX08XC - 208 V | | 28.9 | 41 | 45 | --- | --- | --- | --- | --- |
| HKSX10XC - 208 V | | 34.7 | 48 | 50 | --- | --- | --- | --- | --- |
| HKSC05XC - 208 V | Breaker | 17.3 | 27 | 30 | --- | --- | --- | --- | --- |
| HKSC08XC - 208 V | | 28.9 | 41 | 45 | --- | --- | --- | --- | --- |
| HKSC10XC - 208 V | | 34.7 | 48 | 50 | --- | --- | --- | --- | --- |
| HKSC15XA - 208 V | | 34.7 | 48 | 50 | 17.3 | 21.7 | 25 | 69.9 | 70 |
| HKSX03XC - 240 V | No Breaker | 12.5 | 21 | 25 | --- | --- | --- | --- | --- |
| HKSX05XC - 240 V | | 20 | 29.9 | 30 | --- | --- | --- | --- | --- |
| HKSX06XC - 240 V | | 25 | 36.1 | 40 | --- | --- | --- | --- | --- |
| HKSX08XC - 240 V | | 33.3 | 46.5 | 50 | --- | --- | --- | --- | --- |
| HKSX10XC - 240 V | | 40 | 54.9 | 60 | --- | --- | --- | --- | --- |
| HKSC05XC - 240 V | Breaker | 20 | 29.9 | 30 | --- | --- | --- | --- | --- |
| HKSC08XC - 240 V | | 33.3 | 46.5 | 50 | --- | --- | --- | --- | --- |
| HKSC10XC - 240 V | | 40 | 54.9 | 60 | --- | --- | --- | --- | --- |
| HKSC15XB - 240 V | | 40 | 54.9 | 60 | 20 | 25 | 25 | 79.9 | 80 |
| AVPTC29B14AB | | 0/0 | 6.5/6.5 | 15/15 | --- | --- | --- | --- | --- |
| HKSX03XC - 208 V | No Breaker | 10.8 | 20 | 20 | --- | --- | --- | --- | --- |
| HKSX05XC - 208 V | | 17.3 | 28.2 | 30 | --- | --- | --- | --- | --- |
| HKSX06XC - 208 V | | 21.7 | 33.6 | 35 | --- | --- | --- | --- | --- |
| HKSX08XC - 208 V | | 28.9 | 42.6 | 45 | --- | --- | --- | --- | --- |
| HKSX10XC - 208 V | | 34.7 | 49.8 | 50 | --- | --- | --- | --- | --- |
| HKSC05XC - 208 V | Breaker | 17.3 | 28.2 | 30 | --- | --- | --- | --- | --- |
| HKSC08XC - 208 V | | 28.9 | 42.6 | 45 | --- | --- | --- | --- | --- |
| HKSC10XC - 208 V | | 34.7 | 49.8 | 50 | --- | --- | --- | --- | --- |
| HKSC15XA - 208 V | | 34.7 | 49.8 | 50 | 17.3 | 21.7 | 25 | 71.5 | 80 |
| HKSX03XC - 240 V | No Breaker | 12.5 | 22.1 | 25 | --- | --- | --- | --- | --- |
| HKSX05XC - 240 V | | 20 | 32 | 35 | --- | --- | --- | --- | --- |
| HKSX06XC - 240 V | | 25 | 38 | 40 | --- | --- | --- | --- | --- |
| HKSX08XC - 240 V | | 33.3 | 48 | 50 | --- | --- | --- | --- | --- |
| HKSX10XC - 240 V | | 40 | 57 | 60 | --- | --- | --- | --- | --- |
| HKSC05XC - 240 V | Breaker | 20 | 32 | 35 | --- | --- | --- | --- | --- |
| HKSC08XC - 240 V | | 33.3 | 48 | 50 | --- | --- | --- | --- | --- |
| HKSC10XC - 240 V | | 40 | 57 | 60 | --- | --- | --- | --- | --- |
| HKSC15XB - 240 V | | 40 | 57 | 60 | 20 | 25 | 25 | 81.5 | 90 |
| AVPTC31C14AD | | 0/0 | 6.5/6.5 | 15/15 | --- | --- | --- | --- | --- |
| HKSX03XC - 208 V | No Breaker | 10.8 | 20 | 20 | --- | --- | --- | --- | --- |
| HKSX05XC - 208 V | | 17.3 | 28.2 | 30 | --- | --- | --- | --- | --- |
| HKSX06XC - 208 V | | 21.7 | 33.6 | 35 | --- | --- | --- | --- | --- |
| HKSX08XC - 208 V | | 28.9 | 42.6 | 45 | --- | --- | --- | --- | --- |
| HKSX10XC - 208 V | | 34.7 | 49.8 | 50 | --- | --- | --- | --- | --- |

See notes on page 15.

| HEATER KIT MODEL | | CIRCUIT 1 | | | CIRCUIT 2 | | | SINGLE-POINT KIT | |
|---------------------|------------|-------------|------------------|------------------|-------------|------------------|------------------|------------------|------------------|
| | | HEATER AMPS | MCA ¹ | MOP ² | HEATER AMPS | MCA ¹ | MOP ² | MCA ¹ | MOP ² |
| HKSC05XC - 208 V | Breaker | 17.3 | 28.2 | 30 | --- | --- | --- | --- | --- |
| HKSC08XC - 208 V | | 28.9 | 42.6 | 45 | --- | --- | --- | --- | --- |
| HKSC10XC - 208 V | | 34.7 | 49.8 | 50 | --- | --- | --- | --- | --- |
| HKSC15XA - 208 V | | 34.7 | 49.8 | 50 | 17.3 | 21.7 | 25 | 71.5 | 80 |
| HKSC19CA - 208 V | | 34.7 | 49.8 | 50 | 34.7 | 43.3 | 45 | 93.2 | 100 |
| HKSC15XF - 208 V ^ | | 0 | 6.5 | 15 | 30 | 37.5 | 40 | --- | --- |
| HKSX03XC - 240 V | No Breaker | 12.5 | 22.1 | 25 | --- | --- | --- | --- | --- |
| HKSX05XC - 240 V | | 20 | 32 | 35 | --- | --- | --- | --- | --- |
| HKSX06XC - 240 V | | 25 | 38 | 40 | --- | --- | --- | --- | --- |
| HKSX08XC - 240 V | | 33.3 | 48 | 50 | --- | --- | --- | --- | --- |
| HKSX10XC - 240 V | | 40 | 57 | 60 | --- | --- | --- | --- | --- |
| HKSC05XC - 240 V | Breaker | 20 | 32 | 35 | --- | --- | --- | --- | --- |
| HKSC08XC - 240 V | | 33.3 | 48 | 50 | --- | --- | --- | --- | --- |
| HKSC10XC - 240 V | | 40 | 57 | 60 | --- | --- | --- | --- | --- |
| HKSC15XB - 240 V | | 40 | 56.5 | 60 | 20 | 25 | 25 | 81.5 | 90 |
| HKSC19CB - 240 V | | 40 | 56.5 | 60 | 40 | 50 | 50 | 107 | 110 |
| HKSC15XF - 240 V ^ | | 0 | 6.5 | 15 | 34.6 | 43 | 45 | --- | --- |
| AVPTC33C14AB | | 0.0/0.0 | 4.9/4.9 | 15/15 | --- | --- | --- | --- | --- |
| HKSX03XC - 208 V | No Breaker | 10.8 | 18.4 | 20 | --- | --- | --- | --- | --- |
| HKSX05XC - 208 V | | 17.3 | 27 | 30 | --- | --- | --- | --- | --- |
| HKSX06XC - 208 V | | 21.7 | 32 | 35 | --- | --- | --- | --- | --- |
| HKSX08XC - 208 V | | 28.9 | 41 | 45 | --- | --- | --- | --- | --- |
| HKSX10XC - 208 V | | 34.7 | 48 | 50 | --- | --- | --- | --- | --- |
| HKSC05XC - 208 V | Breaker | 17.3 | 27 | 30 | --- | --- | --- | --- | --- |
| HKSC08XC - 208 V | | 21.7 | 32 | 35 | --- | --- | --- | --- | --- |
| HKSC10XC - 208 V | | 28.9 | 41 | 45 | --- | --- | --- | --- | --- |
| HKSC15XA - 208 V | | 34.7 | 48 | 50 | 17.3 | 21.7 | 25 | 69.9 | 70 |
| HKSX03XC - 240 V | No Breaker | 12.5 | 21 | 25 | --- | --- | --- | --- | --- |
| HKSX05XC - 240 V | | 20 | 29.9 | 30 | --- | --- | --- | --- | --- |
| HKSX06XC - 240 V | | 25 | 36.1 | 40 | --- | --- | --- | --- | --- |
| HKSX08XC - 240 V | | 33.3 | 46.5 | 50 | --- | --- | --- | --- | --- |
| HKSX10XC - 240 V | | 40 | 54.9 | 60 | --- | --- | --- | --- | --- |
| HKSC05XC - 240 V | Breaker | 20 | 29.9 | 30 | --- | --- | --- | --- | --- |
| HKSC08XC - 240 V | | 33.3 | 46.5 | 50 | --- | --- | --- | --- | --- |
| HKSC10XC - 240 V | | 40 | 54.9 | 60 | --- | --- | --- | --- | --- |
| HKSC15XB - 240 V | | 40 | 54.9 | 60 | 20 | 25 | 25 | 79.9 | 80 |
| AVPTC35C14AA | | 0/0 | 4.9/4.9 | 15/15 | --- | --- | --- | --- | --- |
| HKSX03XC - 208 V | No Breaker | 10.8 | 18.4 | 20 | --- | --- | --- | --- | --- |
| HKSX05XC - 208 V | | 17.3 | 27 | 30 | --- | --- | --- | --- | --- |
| HKSX06XC - 208 V | | 21.7 | 32 | 35 | --- | --- | --- | --- | --- |
| HKSX08XC - 208 V | | 28.9 | 41 | 45 | --- | --- | --- | --- | --- |
| HKSX10XC - 208 V | | 34.7 | 48 | 50 | --- | --- | --- | --- | --- |

See notes on page 15.

HEAT KIT DATA (CONT.)

| HEATER KIT MODEL | | CIRCUIT 1 | | | CIRCUIT 2 | | | SINGLE-POINT KIT | |
|---------------------|------------|-------------|------------------|------------------|-------------|------------------|------------------|------------------|------------------|
| | | HEATER AMPS | MCA ¹ | MOP ² | HEATER AMPS | MCA ¹ | MOP ² | MCA ¹ | MOP ² |
| HKSC05XC - 208 V | Breaker | 17.3 | 27 | 30 | --- | --- | --- | --- | --- |
| HKSC08XC - 208 V | | 28.9 | 41 | 45 | --- | --- | --- | --- | --- |
| HKSC10XC - 208 V | | 34.7 | 48 | 50 | --- | --- | --- | --- | --- |
| HKSC15XA - 208 V | | 34.7 | 48 | 50 | 17.3 | 21.7 | 25 | 69.9 | 70 |
| HKSX03XC - 240 V | No Breaker | 12.5 | 21 | 25 | --- | --- | --- | --- | --- |
| HKSX05XC - 240 V | | 20 | 29.9 | 30 | --- | --- | --- | --- | --- |
| HKSX06XC - 240 V | | 25 | 36.1 | 40 | --- | --- | --- | --- | --- |
| HKSX08XC - 240 V | | 33.3 | 46.5 | 50 | --- | --- | --- | --- | --- |
| HKSX10XC - 240 V | | 40 | 54.9 | 60 | --- | --- | --- | --- | --- |
| HKSC05XC - 240 V | Breaker | 20 | 29.9 | 30 | --- | --- | --- | --- | --- |
| HKSC08XC - 240 V | | 33.3 | 46.5 | 50 | --- | --- | --- | --- | --- |
| HKSC10XC - 240 V | | 40 | 54.9 | 60 | --- | --- | --- | --- | --- |
| HKSC15XB - 240 V | | 40 | 54.9 | 60 | 20 | 25 | 25 | 79.9 | 80 |
| AVPTC37B14AB | | 0/0 | 6.5/6.5 | 15/15 | --- | --- | --- | --- | --- |
| HKSX03XC - 208 V | No Breaker | 10.8 | 20 | 20 | --- | --- | --- | --- | --- |
| HKSX05XC - 208 V | | 17.3 | 28.2 | 30 | --- | --- | --- | --- | --- |
| HKSX06XC - 208 V | | 21.7 | 33.6 | 35 | --- | --- | --- | --- | --- |
| HKSX08XC - 208 V | | 28.9 | 42.6 | 45 | --- | --- | --- | --- | --- |
| HKSX10XC - 208 V | | 34.7 | 49.8 | 50 | --- | --- | --- | --- | --- |
| HKSC05XC - 208 V | Breaker | 17.3 | 28.2 | 30 | --- | --- | --- | --- | --- |
| HKSC08XC - 208 V | | 28.9 | 42.6 | 45 | --- | --- | --- | --- | --- |
| HKSC10XC - 208 V | | 34.7 | 49.8 | 50 | --- | --- | --- | --- | --- |
| HKSC15XA - 208 V | | 34.7 | 49.8 | 50 | 17.3 | 21.7 | 25 | 71.5 | 80 |
| HKSX03XC - 240 V | No Breaker | 12.5 | 22.1 | 25 | --- | --- | --- | --- | --- |
| HKSX05XC - 240 V | | 20 | 32 | 35 | --- | --- | --- | --- | --- |
| HKSX06XC - 240 V | | 25 | 38 | 40 | --- | --- | --- | --- | --- |
| HKSX08XC - 240 V | | 33.3 | 48 | 50 | --- | --- | --- | --- | --- |
| HKSX10XC - 240 V | | 40 | 57 | 60 | --- | --- | --- | --- | --- |
| HKSC05XC - 240 V | Breaker | 20 | 32 | 35 | --- | --- | --- | --- | --- |
| HKSC08XC - 240 V | | 33.3 | 48 | 50 | --- | --- | --- | --- | --- |
| HKSC10XC - 240 V | | 40 | 57 | 60 | --- | --- | --- | --- | --- |
| HKSC15XB - 240 V | | 40 | 57 | 60 | 20 | 25 | 25 | 81.5 | 90 |
| AVPTC37C14AC | | 0/0 | 6.5/6.5 | 15/15 | --- | --- | --- | --- | --- |
| HKSX03XC - 208 V | No Breaker | --- | --- | --- | --- | --- | --- | --- | --- |
| HKSX05XC - 208 V | | 17.3 | 28.2 | 30 | --- | --- | --- | --- | --- |
| HKSX06XC - 208 V | | 21.7 | 33.6 | 35 | --- | --- | --- | --- | --- |
| HKSX08XC - 208 V | | 28.9 | 42.6 | 45 | --- | --- | --- | --- | --- |
| HKSX10XC - 208 V | | 34.7 | 49.8 | 50 | --- | --- | --- | --- | --- |
| HKSC05XC - 208 V | Breaker | 17.3 | 28.2 | 30 | --- | --- | --- | --- | --- |
| HKSC08XC - 208 V | | 28.9 | 42.6 | 45 | --- | --- | --- | --- | --- |
| HKSC10XC - 208 V | | 34.7 | 49.8 | 50 | --- | --- | --- | --- | --- |
| HKSC15XA - 208 V | | 34.7 | 49.8 | 50 | 17.3 | 21.7 | 25 | 71.5 | 80 |
| HKSC19CA - 208 V | | 34.7 | 49.8 | 50 | 34.7 | 43.3 | 45 | 93.2 | 100 |
| HKSC15XF - 208 V ^ | | 0 | 6.5 | 15 | 30 | 37.5 | 40 | --- | --- |

See notes on page 15.

| HEATER KIT MODEL | | CIRCUIT 1 | | | CIRCUIT 2 | | | SINGLE-POINT KIT | |
|---------------------|------------|-------------|------------------|------------------|-------------|------------------|------------------|------------------|------------------|
| | | HEATER AMPS | MCA ¹ | MOP ² | HEATER AMPS | MCA ¹ | MOP ² | MCA ¹ | MOP ² |
| HKSX03XC - 240 V | No Breaker | --- | --- | --- | --- | --- | --- | --- | --- |
| HKSX05XC - 240 V | | 20 | 32 | 35 | --- | --- | --- | --- | --- |
| HKSX06XC - 240 V | | 25 | 38 | 40 | --- | --- | --- | --- | --- |
| HKSX08XC - 240 V | | 33.3 | 48 | 50 | --- | --- | --- | --- | --- |
| HKSX10XC - 240 V | | 40 | 57 | 60 | --- | --- | --- | --- | --- |
| HKSC05XC - 240 V | Breaker | 20 | 32 | 35 | --- | --- | --- | --- | --- |
| HKSC08XC - 240 V | | 33.3 | 48 | 50 | --- | --- | --- | --- | --- |
| HKSC10XC - 240 V | | 40 | 57 | 60 | --- | --- | --- | --- | --- |
| HKSC15XB - 240 V | | 40 | 57 | 60 | 20 | 25 | 25 | 81.5 | 90 |
| HKSC19CB - 240 V | | 40 | 57 | 60 | 40 | 50 | 50 | 106.5 | 110 |
| HKSC15XF - 240 V ^ | | 0 | 6.5 | 15 | 34.6 | 43 | 45 | --- | --- |
| AVPTC37D14AC | | 0/0 | 6.5/6.5 | 15/15 | --- | --- | --- | --- | --- |
| HKSX03XC - 208 V | No Breaker | --- | --- | --- | --- | --- | --- | --- | --- |
| HKSX05XC - 208 V | | 17.3 | 28.2 | 30 | --- | --- | --- | --- | --- |
| HKSX06XC - 208 V | | 21.7 | 33.6 | 35 | --- | --- | --- | --- | --- |
| HKSX08XC - 208 V | | 28.9 | 42.6 | 45 | --- | --- | --- | --- | --- |
| HKSX10XC - 208 V | | 34.7 | 49.8 | 50 | --- | --- | --- | --- | --- |
| HKSC05XC - 208 V | Breaker | 17.3 | 28.2 | 30 | --- | --- | --- | --- | --- |
| HKSC08XC - 208 V | | 28.9 | 42.6 | 45 | --- | --- | --- | --- | --- |
| HKSC10XC - 208 V | | 34.7 | 49.8 | 50 | --- | --- | --- | --- | --- |
| HKSC15XA - 208 V | | 34.7 | 49.8 | 50 | 17.3 | 21.7 | 25 | 71.5 | 80 |
| HKSC20DA - 208 V | | 34.7 | 49.8 | 50 | 34.7 | 43.3 | 45 | 93.2 | 100 |
| HKSC15XF - 208 V ^ | | 0 | 6.5 | 15 | 30 | 37.5 | 40 | --- | --- |
| HKSC20XF - 208 V ^ | 0 | 6.5 | 15 | 37.5 | 47 | 50 | --- | --- | |
| HKSX03XC - 240 V | No Breaker | --- | --- | --- | --- | --- | --- | --- | --- |
| HKSX05XC - 240 V | | 20 | 32 | 35 | --- | --- | --- | --- | --- |
| HKSX06XC - 240 V | | 25 | 38 | 40 | --- | --- | --- | --- | --- |
| HKSX08XC - 240 V | | 33.3 | 48 | 50 | --- | --- | --- | --- | --- |
| HKSX10XC - 240 V | | 40 | 57 | 60 | --- | --- | --- | --- | --- |
| HKSC05XC - 240 V | Breaker | 20 | 32 | 35 | --- | --- | --- | --- | --- |
| HKSC08XC - 240 V | | 33.3 | 48 | 50 | --- | --- | --- | --- | --- |
| HKSC10XC - 240 V | | 40 | 57 | 60 | --- | --- | --- | --- | --- |
| HKSC15XB - 240 V | | 40 | 57 | 60 | 20 | 25 | 25 | 81.5 | 90 |
| HKSC20DB - 240 V | | 40 | 57 | 60 | 40 | 50 | 50 | 106.5 | 110 |
| HKSC15XF - 240 V ^ | | 0 | 6.5 | 15 | 34.6 | 43 | 45 | --- | --- |
| HKSC20XF - 240 V ^ | 0 | 6.5 | 15 | 43 | 54 | 60 | --- | --- | |
| AVPTC39C14AC | | 0.0/0.0 | 6.5/6.5 | 15/15 | --- | --- | --- | --- | --- |
| HKSX03XC - 208 V | No Breaker | --- | --- | --- | --- | --- | --- | --- | --- |
| HKSX05XC - 208 V | | 17.3 | 28.2 | 30 | --- | --- | --- | --- | --- |
| HKSX06XC - 208 V | | 21.7 | 33.6 | 35 | --- | --- | --- | --- | --- |
| HKSX08XC - 208 V | | 28.9 | 42.6 | 45 | --- | --- | --- | --- | --- |
| HKSX10XC - 208 V | | 34.7 | 49.8 | 50 | --- | --- | --- | --- | --- |

See notes on page 15.

HEAT KIT DATA (CONT.)

| HEATER KIT MODEL | | CIRCUIT 1 | | | CIRCUIT 2 | | | SINGLE-POINT KIT | |
|---------------------|------------|-------------|------------------|------------------|-------------|------------------|------------------|------------------|------------------|
| | | HEATER AMPS | MCA ¹ | MOP ² | HEATER AMPS | MCA ¹ | MOP ² | MCA ¹ | MOP ² |
| HKSC05XC - 208 V | Breaker | 17.3 | 28.2 | 30 | --- | --- | --- | --- | --- |
| HKSC08XC - 208 V | | 28.9 | 42.6 | 45 | --- | --- | --- | --- | --- |
| HKSC10XC - 208 V | | 34.7 | 49.8 | 50 | --- | --- | --- | --- | --- |
| HKSC15XA - 208 V | | 34.7 | 49.8 | 50 | 17.3 | 21.7 | 25 | 71.5 | 80 |
| HKSC19CA - 208 V | | 34.7 | 49.8 | 50 | 34.7 | 43.3 | 45 | 93.2 | 100 |
| HKSC15XF - 208 V ^ | | 0 | 6.5 | 15 | 30 | 37.5 | 40 | --- | --- |
| HKSX03XC - 240 V | No Breaker | --- | --- | --- | --- | --- | --- | --- | --- |
| HKSX05XC - 240 V | | 20 | 32 | 35 | --- | --- | --- | --- | --- |
| HKSX06XC - 240 V | | 25 | 38 | 40 | --- | --- | --- | --- | --- |
| HKSX08XC - 240 V | | 33.3 | 48 | 50 | --- | --- | --- | --- | --- |
| HKSX10XC - 240 V | | 40 | 57 | 60 | --- | --- | --- | --- | --- |
| HKSC05XC - 240 V | Breaker | 20 | 32 | 35 | --- | --- | --- | --- | --- |
| HKSC08XC - 240 V | | 33.3 | 48 | 50 | --- | --- | --- | --- | --- |
| HKSC10XC - 240 V | | 40 | 57 | 60 | --- | --- | --- | --- | --- |
| HKSC15XB - 240 V | | 40 | 57 | 60 | 20 | 25 | 25 | 81.5 | 90 |
| HKSC19CB - 240 V | | 40 | 57 | 60 | 40 | 50 | 50 | 106.5 | 110 |
| HKSC15XF - 240 V ^ | | 0 | 6.5 | 15 | 34.6 | 43 | 45 | --- | --- |
| AVPTC49C14AC | | 0.0/0.0 | 6.5/6.5 | 15/15 | --- | --- | --- | --- | --- |
| HKSX03XC - 208 V | No Breaker | --- | --- | --- | --- | --- | --- | --- | --- |
| HKSX05XC - 208 V | | 17.3 | 28.2 | 30 | --- | --- | --- | --- | --- |
| HKSX06XC - 208 V | | 21.7 | 33.6 | 35 | --- | --- | --- | --- | --- |
| HKSX08XC - 208 V | | 28.9 | 42.6 | 45 | --- | --- | --- | --- | --- |
| HKSX10XC - 208 V | | 34.7 | 49.8 | 50 | --- | --- | --- | --- | --- |
| HKSC05XC - 208 V | Breaker | 17.3 | 28.2 | 30 | --- | --- | --- | --- | --- |
| HKSC08XC - 208 V | | 28.9 | 42.6 | 45 | --- | --- | --- | --- | --- |
| HKSC10XC - 208 V | | 34.7 | 49.8 | 50 | --- | --- | --- | --- | --- |
| HKSC15XA - 208 V | | 34.7 | 49.8 | 50 | 17.3 | 21.7 | 25 | 71.5 | 80 |
| HKSC19CA - 208 V | | 34.7 | 49.8 | 50 | 34.7 | 43.3 | 45 | 93.2 | 100 |
| HKSC15XF - 208 V ^ | | 0 | 6.5 | 15 | 30 | 37.5 | 40 | --- | --- |
| HKSX03XC - 240 V | No Breaker | --- | --- | --- | --- | --- | --- | --- | --- |
| HKSX05XC - 240 V | | 20 | 32 | 35 | --- | --- | --- | --- | --- |
| HKSX06XC - 240 V | | 25 | 38 | 40 | --- | --- | --- | --- | --- |
| HKSX08XC - 240 V | | 33.3 | 48 | 50 | --- | --- | --- | --- | --- |
| HKSX10XC - 240 V | | 40 | 57 | 60 | --- | --- | --- | --- | --- |
| HKSC05XC - 240 V | Breaker | 20 | 32 | 35 | --- | --- | --- | --- | --- |
| HKSC08XC - 240 V | | 33.3 | 48 | 50 | --- | --- | --- | --- | --- |
| HKSC10XC - 240 V | | 40 | 57 | 60 | --- | --- | --- | --- | --- |
| HKSC15XB - 240 V | | 40 | 57 | 60 | 20 | 25 | 25 | 81.5 | 90 |
| HKSC19CB - 240 V | | 40 | 57 | 60 | 40 | 50 | 50 | 106.5 | 110 |
| HKSC15XF - 240 V ^ | | 0 | 6.5 | 15 | 34.6 | 43 | 45 | --- | --- |

See notes on page 15.

| HEATER KIT MODEL | | CIRCUIT 1 | | | CIRCUIT 2 | | | SINGLE-POINT KIT | |
|-------------------------------|------------|-------------|------------------|------------------|-------------|------------------|------------------|------------------|------------------|
| | | HEATER AMPS | MCA ¹ | MOP ² | HEATER AMPS | MCA ¹ | MOP ² | MCA ¹ | MOP ² |
| AVPTC49D14AB | | 0/0 | 6.5/6.5 | 15/15 | --- | --- | --- | --- | --- |
| HKX03XC - 208 V | No Breaker | --- | --- | --- | --- | --- | --- | --- | --- |
| HKX05XC - 208 V | | 17.3 | 28.2 | 30 | --- | --- | --- | --- | --- |
| HKX06XC - 208 V | | 21.7 | 33.6 | 35 | --- | --- | --- | --- | --- |
| HKX08XC - 208 V | | 28.9 | 42.6 | 45 | --- | --- | --- | --- | --- |
| HKX10XC - 208 V | | 34.7 | 49.8 | 50 | --- | --- | --- | --- | --- |
| HKSC05XC - 208 V | Breaker | 17.3 | 28.2 | 30 | --- | --- | --- | --- | --- |
| HKSC08XC - 208 V | | 28.9 | 42.6 | 45 | --- | --- | --- | --- | --- |
| HKSC10XC - 208 V | | 34.7 | 49.8 | 50 | --- | --- | --- | --- | --- |
| HKSC15XA - 208 V | | 34.7 | 49.8 | 50 | 17.3 | 21.7 | 25 | 71.5 | 80 |
| HKSC20DA - 208 V | | --- | --- | --- | --- | --- | --- | --- | --- |
| HKSC15XF - 208 V ^ | | --- | --- | --- | --- | --- | --- | --- | --- |
| HKSC20XF - 208 V ^ | | --- | --- | --- | --- | --- | --- | --- | --- |
| HKSC25DA - 208 V | --- | --- | --- | --- | --- | --- | --- | --- | |
| HKX03XC - 240 V | No Breaker | --- | --- | --- | --- | --- | --- | --- | --- |
| HKX05XC - 240 V | | 20 | 32 | 35 | --- | --- | --- | --- | --- |
| HKX06XC - 240 V | | 25 | 38 | 40 | --- | --- | --- | --- | --- |
| HKX08XC - 240 V | | 33.3 | 48 | 50 | --- | --- | --- | --- | --- |
| HKX10XC - 240 V | | 40 | 57 | 60 | --- | --- | --- | --- | --- |
| HKSC05XC - 240 V | Breaker | 20 | 32 | 35 | --- | --- | --- | --- | --- |
| HKSC08XC - 240 V | | 33.3 | 48 | 50 | --- | --- | --- | --- | --- |
| HKSC10XC - 240 V | | 40 | 57 | 60 | --- | --- | --- | --- | --- |
| HKSC15XB - 240 V | | 40 | 57 | 60 | 20 | 25 | 25 | 81.5 | 90 |
| HKSC20DB - 240 V | | --- | --- | --- | --- | --- | --- | --- | --- |
| HKSC15XF - 240 V ^ | | --- | --- | --- | --- | --- | --- | --- | --- |
| HKSC20XF - 240 V ^ | | --- | --- | --- | --- | --- | --- | --- | --- |
| HKSC25DB - 240 V | | --- | --- | --- | --- | --- | --- | --- | --- |
| AVPTC59C14AC | | 0/0 | 8.6/8.6 | 15/15 | --- | --- | --- | --- | --- |
| HKX03XC - 208 V | No Breaker | --- | --- | --- | --- | --- | --- | --- | --- |
| HKX05XC - 208 V | | 17.3 | 30.3 | 35 | --- | --- | --- | --- | --- |
| HKX06XC - 208 V | | 21.7 | 36 | 40 | --- | --- | --- | --- | --- |
| HKX08XC - 208 V | | 28.9 | 45 | 45 | --- | --- | --- | --- | --- |
| HKX10XC - 208 V | | 34.7 | 52 | 60 | --- | --- | --- | --- | --- |
| HKSC05XC - 208 V | Breaker | 17.3 | 30.3 | 35 | --- | --- | --- | --- | --- |
| HKSC08XC - 208 V | | 28.9 | 45 | 45 | --- | --- | --- | --- | --- |
| HKSC10XC - 208 V | | 34.7 | 52 | 60 | --- | --- | --- | --- | --- |
| HKSC15XB ³ - 208 V | | 34.7 | 52 | 60 | 17.3 | 21.7 | 25 | 73.6 | 80 |
| HKSC19CH - 208 V | | 34.7 | 52 | 60 | 34.7 | 43.3 | 45 | 95.3 | 100 |
| HKSC15XF - 208 V ^ | | 0 | 8.6 | 15 | 30 | 37.5 | 40 | --- | --- |
| HKSC20XF - 208 V ^ | | --- | --- | --- | --- | --- | --- | --- | --- |
| | | | | | | | | | |

See notes on page 15.

HEAT KIT DATA (CONT.)

| HEATER KIT MODEL | | CIRCUIT 1 | | | CIRCUIT 2 | | | SINGLE-POINT KIT | |
|-------------------------------|------------|-------------|------------------|------------------|-------------|------------------|------------------|------------------|------------------|
| | | HEATER AMPS | MCA ¹ | MOP ² | HEATER AMPS | MCA ¹ | MOP ² | MCA ¹ | MOP ² |
| HKSX03XC - 240 V | No Breaker | --- | --- | --- | --- | --- | --- | --- | --- |
| HKSX05XC - 240 V | | 20 | 34 | 35 | --- | --- | --- | --- | --- |
| HKSX06XC - 240 V | | 25 | 39.9 | 40 | --- | --- | --- | --- | --- |
| HKSX08XC - 240 V | | 33.3 | 50.3 | 60 | --- | --- | --- | --- | --- |
| HKSX10XC - 240 V | | 40 | 58.6 | 60 | --- | --- | --- | --- | --- |
| HKSC05XC - 240 V | Breaker | 20 | 34 | 35 | --- | --- | --- | --- | --- |
| HKSC08XC - 240 V | | 33.3 | 50.3 | 60 | --- | --- | --- | --- | --- |
| HKSC10XC - 240 V | | 40 | 58.6 | 60 | --- | --- | --- | --- | --- |
| HKSC15XB - 240 V | | 40 | 58.6 | 60 | 20 | 25 | 25 | 83.6 | 90 |
| HKSC19CB - 240 V | | 40 | 58.6 | 60 | 40 | 50 | 50 | 108.6 | 110 |
| HKSC15XF - 240 V ^ | | 0 | 8.6 | 15 | 34.6 | 43 | 45 | --- | --- |
| HKSC20XF - 240 V ^ | --- | --- | --- | --- | --- | --- | --- | --- | |
| AVPTC59D14AC | | 0/0 | 8.6/8.6 | 15/15 | --- | --- | --- | --- | --- |
| HKSX03XC - 208 V | No Breaker | --- | --- | --- | --- | --- | --- | --- | --- |
| HKSX06XC - 208 V | | 21.7 | 36 | 40 | --- | --- | --- | --- | --- |
| HKSX08XC - 208 V | | 28.9 | 45 | 45 | --- | --- | --- | --- | --- |
| HKSX10XC - 208 V | | 34.7 | 52 | 60 | --- | --- | --- | --- | --- |
| HKSC05XC - 208 V | Breaker | 17.3 | 30.3 | 35 | --- | --- | --- | --- | --- |
| HKSC08XC - 208 V | | 28.9 | 45 | 45 | --- | --- | --- | --- | --- |
| HKSC10XC - 208 V | | 34.7 | 52 | 60 | --- | --- | --- | --- | --- |
| HKSC15XB ³ - 208 V | | 34.7 | 52 | 60 | 17.3 | 21.7 | 25 | 73.6 | 80 |
| HKSC20DH - 208 V | | 34.7 | 52 | 60 | 34.7 | 43.3 | 45 | 95.3 | 100 |
| HKSC15XF - 208 V ^ | | 0 | 8.6 | 15 | 30 | 37.5 | 40 | --- | --- |
| HKSC20XF - 208 V ^ | 0 | 8.6 | 15 | 37.5 | 47 | 50 | --- | --- | |
| HKSX03XC - 240 V | No Breaker | --- | --- | --- | --- | --- | --- | --- | --- |
| HKSX05XC - 240 V | | 20 | 34 | 35 | --- | --- | --- | --- | --- |
| HKSX06XC - 240 V | | 25 | 39.9 | 40 | --- | --- | --- | --- | --- |
| HKSX08XC - 240 V | | 33.3 | 50.3 | 60 | --- | --- | --- | --- | --- |
| HKSX10XC - 240 V | | 40 | 58.6 | 60 | --- | --- | --- | --- | --- |
| HKSC05XC - 240 V | Breaker | 20 | 34 | 35 | --- | --- | --- | --- | --- |
| HKSC08XC - 240 V | | 33.3 | 50.3 | 60 | --- | --- | --- | --- | --- |
| HKSC10XC - 240 V | | 40 | 58.6 | 60 | --- | --- | --- | --- | --- |
| HKSC15XB - 240 V | | 40 | 58.6 | 60 | 20 | 25 | 25 | 83.6 | 90 |
| HKSC20DB - 240 V | | 40 | 58.6 | 60 | 40 | 50 | 50 | 108.6 | 110 |
| HKSC15XF - 240 V ^ | | 0 | 8.6 | 15 | 34.6 | 43 | 45 | --- | --- |
| HKSC20XF - 240 V ^ | 0 | 8.6 | 15 | 43 | 54 | 60 | --- | --- | |
| AVPTC61D14AC | | 0/0 | 8.6/8.6 | 15/15 | --- | --- | --- | --- | --- |
| HKSX03XC - 208 V | No Breaker | --- | --- | --- | --- | --- | --- | --- | --- |
| HKSX05XC - 208 V | | 17.3 | 30.3 | 35 | --- | --- | --- | --- | --- |
| HKSX06XC - 208 V | | 21.7 | 36 | 40 | --- | --- | --- | --- | --- |
| HKSX08XC - 208 V | | 28.9 | 45 | 45 | --- | --- | --- | --- | --- |
| HKSX10XC - 208 V | | 34.7 | 52 | 60 | --- | --- | --- | --- | --- |

See notes on page 15.

| HEATER KIT MODEL | | CIRCUIT 1 | | | CIRCUIT 2 | | | SINGLE-POINT KIT | |
|-------------------------------|------------|-------------|------------------|------------------|-------------|------------------|------------------|------------------|------------------|
| | | HEATER AMPS | MCA ¹ | MOP ² | HEATER AMPS | MCA ¹ | MOP ² | MCA ¹ | MOP ² |
| HKSC05XC - 208 V | Breaker | 17.3 | 30.3 | 35 | --- | --- | --- | --- | --- |
| HKSC08XC - 208 V | | 28.9 | 45 | 45 | --- | --- | --- | --- | --- |
| HKSC10XC - 208 V | | 34.7 | 52 | 60 | --- | --- | --- | --- | --- |
| HKSC15XB ³ - 208 V | | 34.7 | 52 | 60 | 17.3 | 21.7 | 25 | 73.6 | 80 |
| HKSC20DH - 208 V | | 34.7 | 52 | 60 | 34.7 | 43.3 | 45 | 95.3 | 100 |
| HKSC15XF - 208 V ^ | | 0 | 8.6 | 15 | 30 | 37.5 | 40 | --- | --- |
| HKSC20XF - 208 V ^ | | 0 | 8.6 | 15 | 37.5 | 47 | 50 | --- | --- |
| HKSC25DA - 208 V | | 52 | 73.6 | 80 | 34.7 | 43.3 | 45 | 117 | 125 |
| HKSX03XC - 240 V | No Breaker | --- | --- | --- | --- | --- | --- | --- | --- |
| HKSX05XC - 240 V | | 20 | 34 | 35 | --- | --- | --- | --- | --- |
| HKSX06XC - 240 V | | 25 | 39.9 | 40 | --- | --- | --- | --- | --- |
| HKSX08XC - 240 V | | 33.3 | 50.3 | 60 | --- | --- | --- | --- | --- |
| HKSX10XC - 240 V | | 40 | 58.6 | 60 | --- | --- | --- | --- | --- |
| HKSC05XC - 240 V | Breaker | 20 | 34 | 35 | --- | --- | --- | --- | --- |
| HKSC08XC - 240 V | | 33.3 | 50.3 | 60 | --- | --- | --- | --- | --- |
| HKSC10XC - 240 V | | 40 | 58.6 | 60 | --- | --- | --- | --- | --- |
| HKSC15XB - 240 V | | 40 | 58.6 | 60 | 20 | 25 | 25 | 83.6 | 90 |
| HKSC20DB - 240 V | | 40 | 58.6 | 60 | 40 | 50 | 50 | 108.6 | 110 |
| HKSC15XF - 240 V ^ | | 0 | 8.6 | 15 | 34.6 | 43 | 45 | --- | --- |
| HKSC20XF - 240 V ^ | | 0 | 8.6 | 15 | 43 | 54 | 60 | --- | --- |
| HKSC25DB - 240 V | | 60 | 84 | 90 | 40 | 50 | 50 | 133.6 | 150 |

¹ Minimum Circuit Ampacity (Heater Amps + Motor Amps) X 1.25

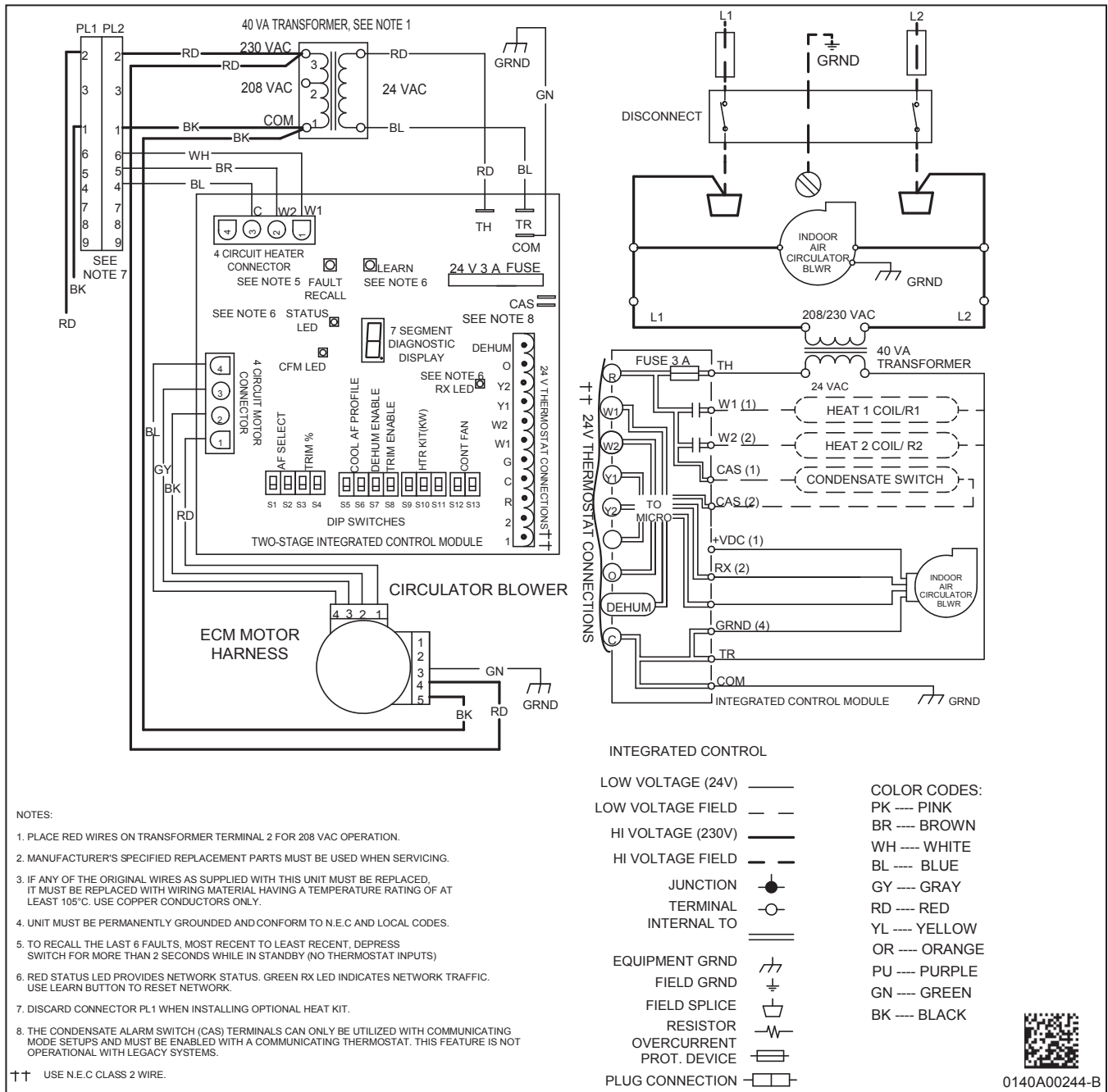
² Maximum Overcurrent Protection = 2.25 X Motor Amps + Heater Amps

[^] Circuit 1: Single-phase for Air Handlers Circuit 2: Three-phase for HKR3 Heater Kits

Note: The 208 or 240 in the heat kit part number field is for clarification of the nominal voltage for this model.

³Notation is correct as XB because technically the 240V heater kit application can be used here without any issues.

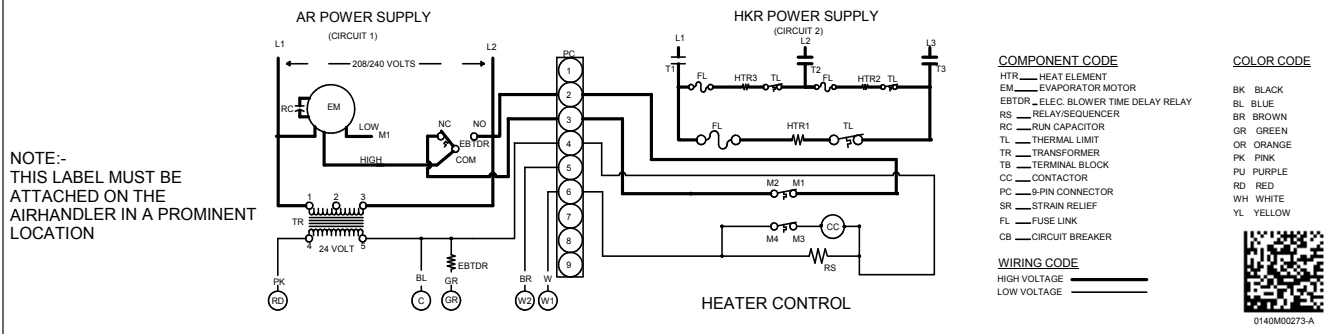
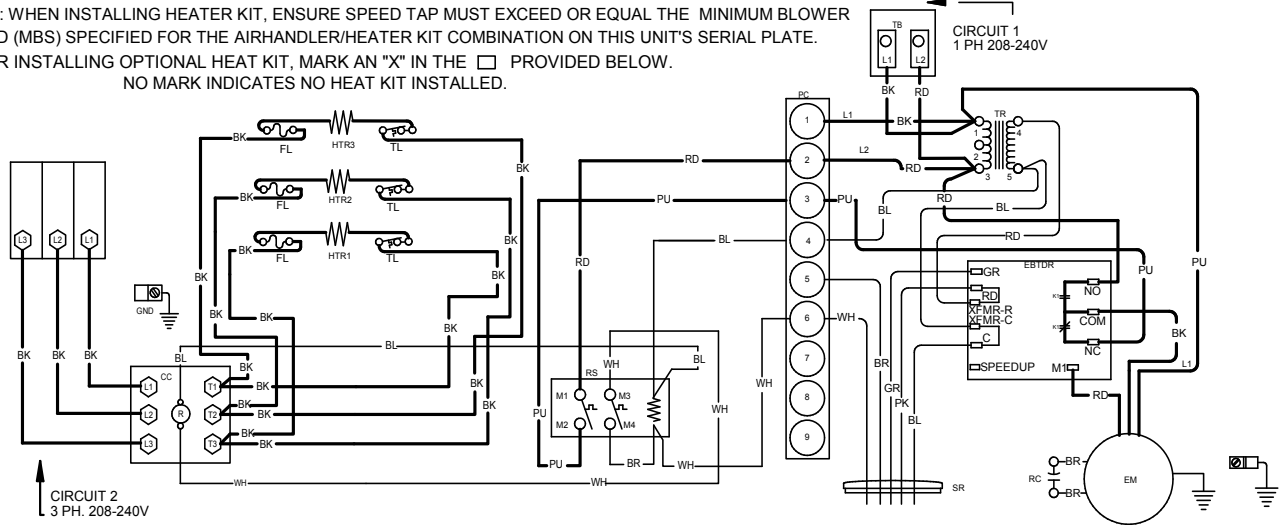
WIRING DIAGRAM – AIR HANDLER



Wiring is subject to change. Always refer to the wiring diagram on the unit for the most up-to-date wiring.

| | | | |
|--|----------------|--|--|
| | WARNING | <p>High Voltage: Disconnect all power before servicing or installing this unit. Multiple power sources may be present. Failure to do so may cause property damage, personal injury, or death.</p> | |
|--|----------------|--|--|

NOTE: WHEN INSTALLING HEATER KIT, ENSURE SPEED TAP MUST EXCEED OR EQUAL THE MINIMUM BLOWER SPEED (MBS) SPECIFIED FOR THE AIRHANDLER/HEATER KIT COMBINATION ON THIS UNIT'S SERIAL PLATE.
 AFTER INSTALLING OPTIONAL HEAT KIT, MARK AN "X" IN THE PROVIDED BELOW.
 NO MARK INDICATES NO HEAT KIT INSTALLED.



Wiring is subject to change. Always refer to the wiring diagram on the unit for the most up-to-date wiring.

| | | | |
|--|----------------|---|--|
| | WARNING | High Voltage: Disconnect all power before servicing or installing this unit. Multiple power sources may be present. Failure to do so may cause property damage, personal injury, or death. | |
|--|----------------|---|--|

DOWNFLOW KITS

| DFK-B | DFK-C | DFK-D |
|--------------|--------------|--------------|
| AVPTC25B14** | AVPTC31C14** | AVPTC37D14** |
| AVPTC29B14** | AVPTC33C14** | AVPTC59D14** |
| AVPTC35B14** | AVPTC37C14** | AVPTC49D14** |
| AVPTC37B14** | AVPTC39C14** | AVPTC61D14** |
| | AVPTC49C14** | |
| | AVPTC59C14** | |

FILTERS

| CHASSIS | PART # | SIZE |
|---------|--------------|---------------|
| B | ALFH16201E | 16.0" x 20.0" |
| C | ALFH1912201E | 19.5" x 20.0" |
| D | ALFH20231E | 23.0" x 20.0" |

SINGLE POINT KIT **

| MODEL | HKR-15C | HKR-20C | HKR-21C |
|--------|---------|---------|---------|
| SPW-01 | X | X | X |

** Must be installed along with any of the above compatible heat kits. This kit will fit any AVPTC air handler as long as a compatible heat kit is installed in the unit.