

Model No: C1EL120SM



Features:

- 156 sq. in. cooking area
- 5,000 hour heating element
- 304 stainless steel
- Teflon coated cooking surface
- Ceramic Heat Control Grid
- 120 VAC - 1300 WATTS - 11 AMPS - 60 HZ
- 550° F maximum temperature
- 60 minute safety timer with surge protector
- Removable frame for built-in application

Dimensions:

- Overall: 11-3/8" (H) x 18-1/8" (W) x 16-1/4" (D)
- Cutout: 3-3/8" (H) x 16" (W) x 15" (D)

Accessories:

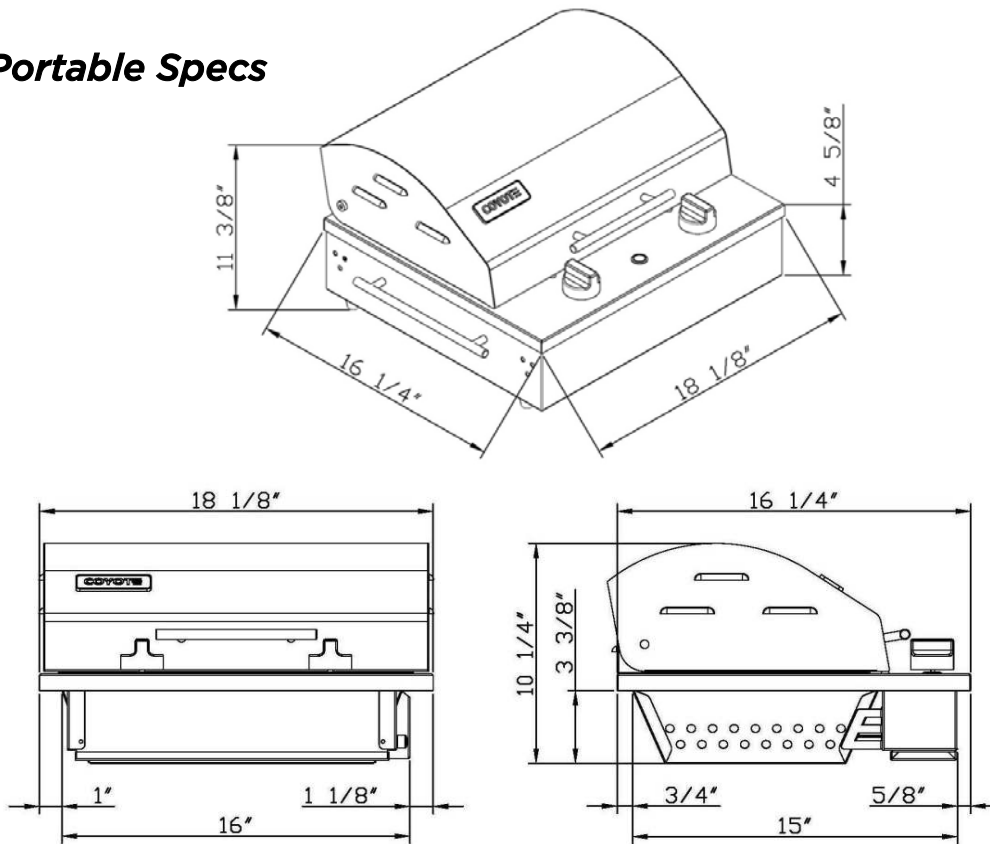
- Cover & 2 Piece Tool Set Included
- Pedestal Stand available (Model No. C1ELCT21)
 - Weighted base - no anchoring required
 - Fold-down side shelves



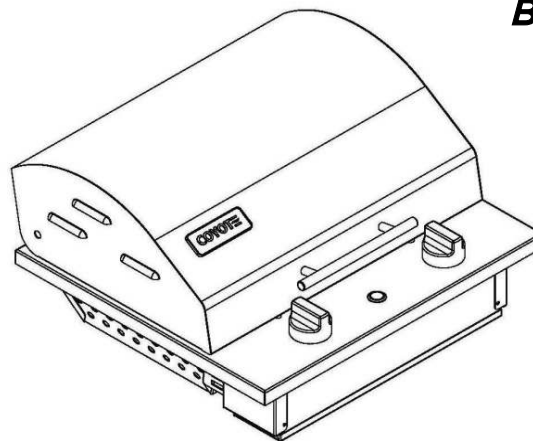
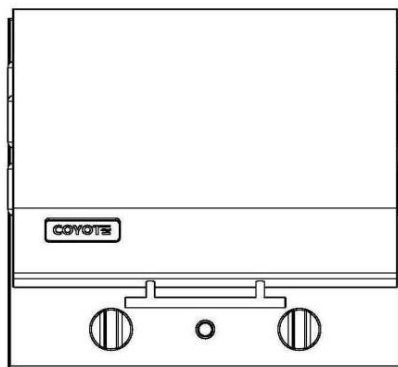
C1EL120SM PRODUCT SPECS

DIMENSIONAL RENDERINGS

Portable Specs



Built-In Specs



Overall Product Dimensions			
Model No.	Height	Width	Depth
C1EL120SM	11 3/8"	18 1/8"	16 1/4"

Cutout Dimensions for Island			
Model No.	Height	Width	Depth
C1EL120SM	3 3/8"	16"	15"

Model No.	Power Supply	Watts	Amps	Hz
C1EL120SM	120V AC	1300	11	60

COYOTE
Outdoor Living

www.coyoteoutdoor.com