



DVCT(36,40) LINER KIT INSTALLATION INSTRUCTIONS



CERAMIC FIBER LINERS		
Model 36	Model 40	Description
DVP36CPTB-1	DVP40PTB-1	Rustic Brick
DVP36CPWS-1	DVP40PWS-1	Old World Stone

LEAVE INSTRUCTIONS WITH THE HOMEOWNER.

CARTON CONTENTS	
Description	Ceramic Fiber Liners
LINER REAR	1
LINER SIDE - LEFT	1
LINER SIDE - RIGHT	1
LEFT FLOOR	1
RIGHT FLOOR	1
LINER BRACKET	1
#10 x 1/2 Screw	3
LINER TOP ASSEMBLY	1

Tools needed: Phillips screw driver

Installation of Floors

1. Remove barrier screen and glass door.
(See the owner's manual for instructions)
2. Place the RIGHT and LEFT FLOOR as
(Shown In Figure 1).

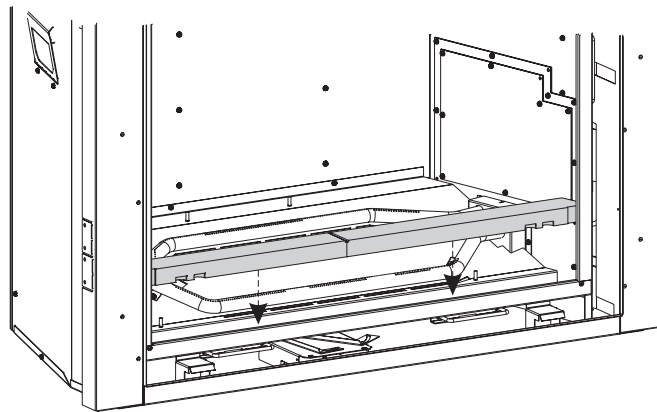


Figure 1
Left and Right Floor

NOTE: Video of liner installation available on our website at:
www.empirecomfort.com.

QR Code



Installation of Liner

1. Place LINER REAR on the back of the firebox and hold with one hand. (See Figure 2)

NOTE: (For Fiber Brick Liner Kit Only) Protruding bricks are installed towards the top.

NOTE: (For Fiber Rock Liner Kit Only) Thicker rocks are installed towards the top.

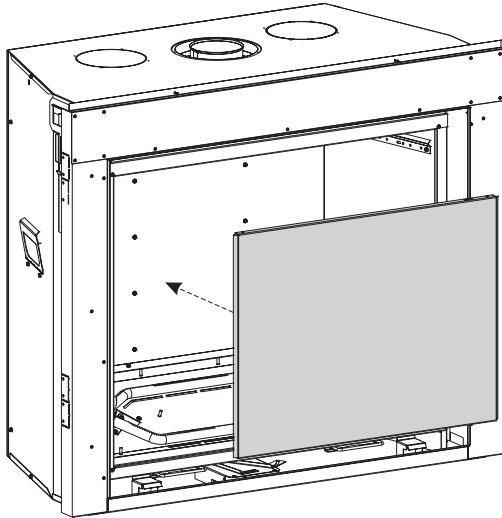


Figure 2

2. Place LINER SIDE- RIGHT against right firebox wall and LINER REAR and push back to hold into place. Repeat for LINER SIDE - LEFT. (See Figure 3)

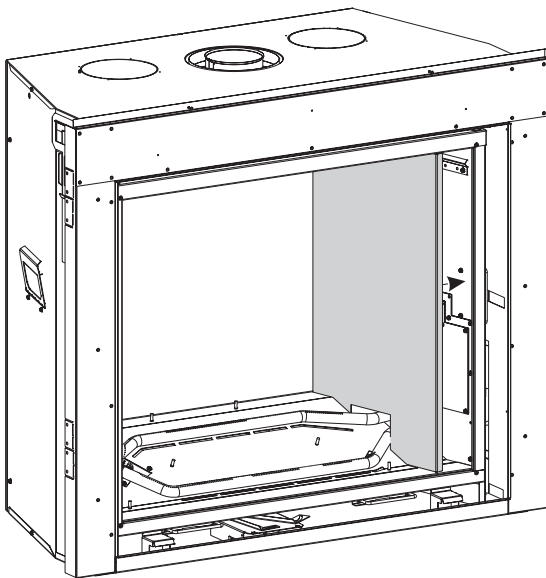


Figure 3

3. Place the LINER TOP ASSEMBLY so that it rests on the LINER REAR and secure with LINER BRACKET and (3) screws. (See figure 4)

NOTE: Ensure (painted side) faces down, (black side) should face up.

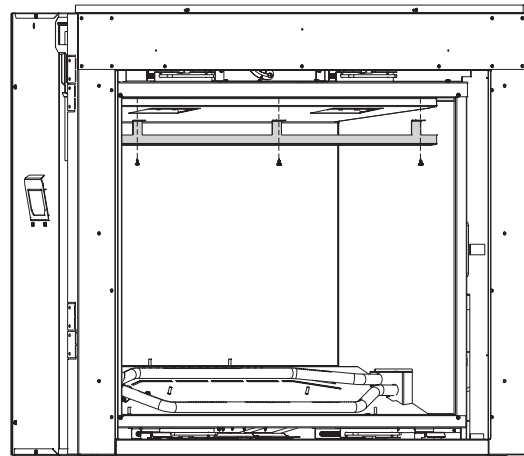
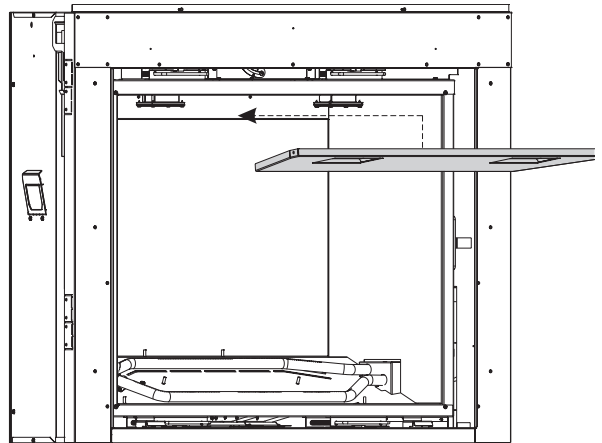
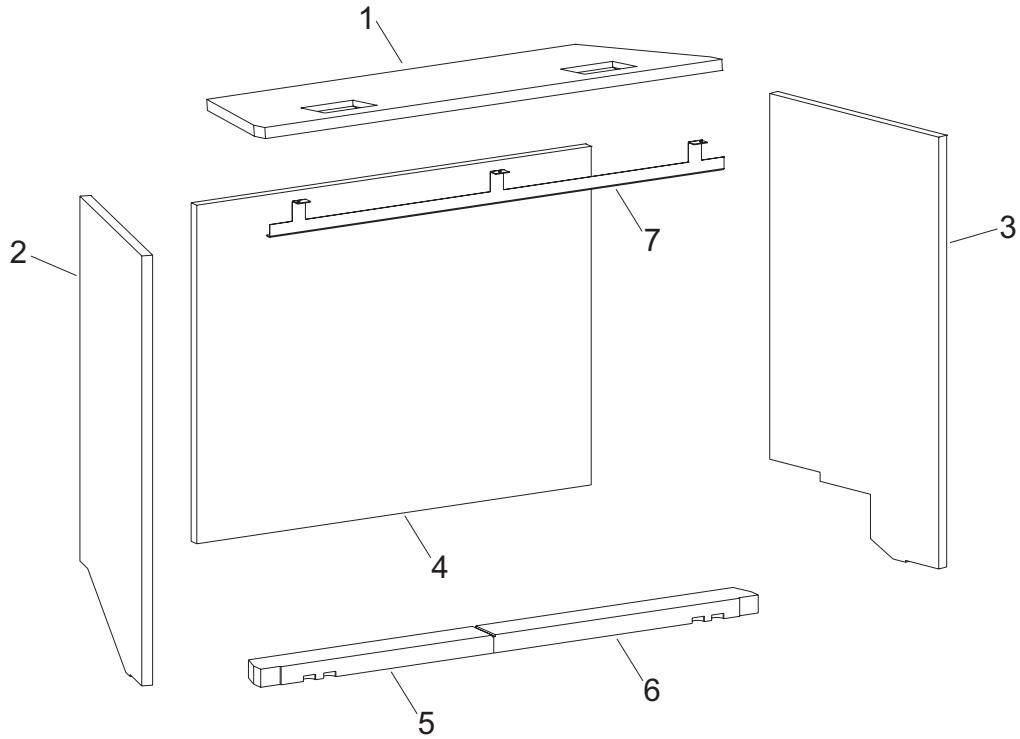


Figure 4

CERAMIC FIBER LINER KIT EXPLODED VIEW AND PARTS LIST



INDEX NO.	PART NUMBERS		DESCRIPTION	QTY SUPPLIED
	DVP36CPTB	DVP36CPWS		
1	37309	37309	LINER TOP	1
2	37324	37310	LINER SIDE - LEFT	1
3	37325	37311	LINER SIDE - RIGHT	1
4	31323	37308	LINER REAR	1
5	37322	37313	LINER FLOOR - LEFT	1
6	37321	37312	LINER FLOOR - RIGHT	1
7	37221	37221	LINER BRACKET	1

INDEX NO.	PART NUMBERS		DESCRIPTION	QTY SUPPLIED
	DVP40PTB	DVP40PWS		
1	34771	34771	LINER TOP	1
2	36257	34772	LINER SIDE - LEFT	1
3	36258	34773	LINER SIDE - RIGHT	1
4	36256	34770	LINER REAR	1
5	34076	34798	LINER FLOOR - LEFT	1
6	36254	34774	LINER FLOOR - RIGHT	1
7	34767	34767	LINER BRACKET	1
NOT SHOWN	R2737	R2737	HEX HEAD #10x1/2 SCREW	3



**Empire Comfort Systems Inc.
Belleville, IL**

If you have a general question
about our products, please e-mail
us at info@empirecomfort.com.

If you have a service or repair
question, please contact your dealer.

SINCE 1932

www.empirecomfort.com