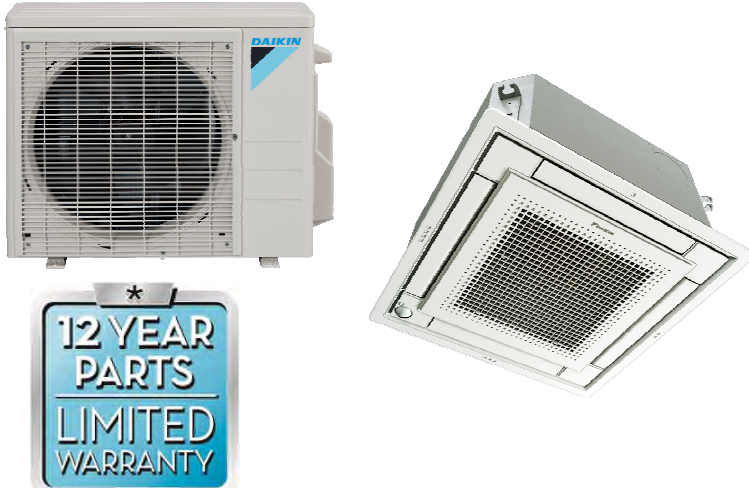


Job Name:	
Tag#	



Submittal Data Sheet	FFQ12Q2VJU / RX12RMVJU9
1-Ton Ceiling Mounted Heat Pump System	



Complete warranty details available from your local dealer or at www.daikincomfort.com. To receive the 12-Year Parts Limited Warranty, online registration must be completed within 60 days of installation. Online registration is not required in California or Quebec. *If product is installed in a commercial application, limited warranty period is 5 years.*

Indoor Specifications

Airflow Rate (cfm)	Cooling		Heating	
	H	M	H	M
	406	353	427	371
	L		L	
	268		282	
Sound (dBA) H / M / L	39 / 36 / 30		39 / 36 / 30	
Dimensions (H x W x D) (in)	10-1/4 x 22-5/8 x 22-5/8			
Weight (Lbs)	36			

Outdoor Specifications

Compressor	Hermetically Sealed Swing Type			
Refrigerant	R-410A			
Factory Charge (Lbs)	2.09			
Refrigerant Oil	PVE (FVC50K)			
Airflow Rate (cfm)	Cooling		Heating	
	H	1,105	H	1,105
Sound Pressure Level (dBA)	49 / 51			
Dimensions (H x W x D) (in)	21-5/8 x 26-9/16 x 11-3/16			
Weight (Lbs)	60			

Efficiency

Cooling		Heating	
SEER	20.20	HSPF	11.20
EER	12.5	COP	4.02

Performance

Cooling (Btu/hr)	
Rated (Min/Max)	10,800 (4,600 / 13,300)
Sensible @ AHRI	8,430
Standard Operating Range	50°F – 115°F
Extended Operating Range*	-4°F – 115°F

Rated Cooling Conditions: Indoor: 80°F DB/67°F WB
Outdoor: 95°F DB/75°F WB

*With field setting and wind baffle

Heating (Btu/hr)	
1: @ 47° Rated (Min/Max)	13,500 (4,600 / 16,800)
2: @ 17° Rated	8,300
3: @ 5°	6,040
Operating Range	5°F – 65°F

1: Rated Heating Conditions: Indoor: 70°F DB/60°F WB
Outdoor: 47°F DB/43°F WB
2: Rated Heating Conditions: Indoor: 70°F DB/60°F WB
Outdoor: 17°F DB/15°F WB
3: Heating Conditions: Indoor: 70°F DB/60°F WB
Outdoor: 5°F DB/5°F WB

Electrical

	208/60/1	230/60/1
System MCA	9.1	9.1
System MFA	15	15
Compressor RLA	7.5	7.5
Outdoor fan motor FLA	.13	.13
Outdoor fan motor W	39	39
Indoor fan motor FLA	.28	.28
Indoor fan motor W	50	50

MFA: Max. fuse amps MCA: Min. circuit amps (A) FLA: Full load amps (A)
RLA: Rated load amps (A) W: Fan motor rated output (W)

Piping

Liquid (in)	1/4
Gas (in)	3/8
Drain (in)	1-1/32
Max. Interunit Piping Length (ft)	65.625
Max. Interunit Height Difference (ft)	49.25
Chargeless (ft)	32.8
Additional Charge of Refrigerant (oz/ft)	.21

Daikin North America LLC 5151 San Felipe, Suite 500 Houston, TX 77056

(Daikin's products are subject to continuous improvements. Daikin reserves the right to modify product design, specifications and information in this data sheet without notice and without incurring any obligations)

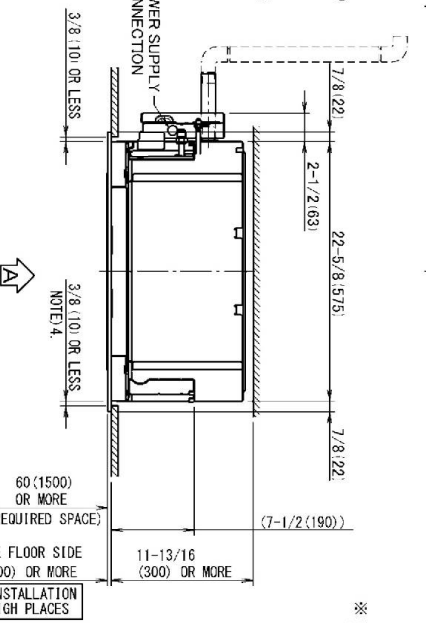
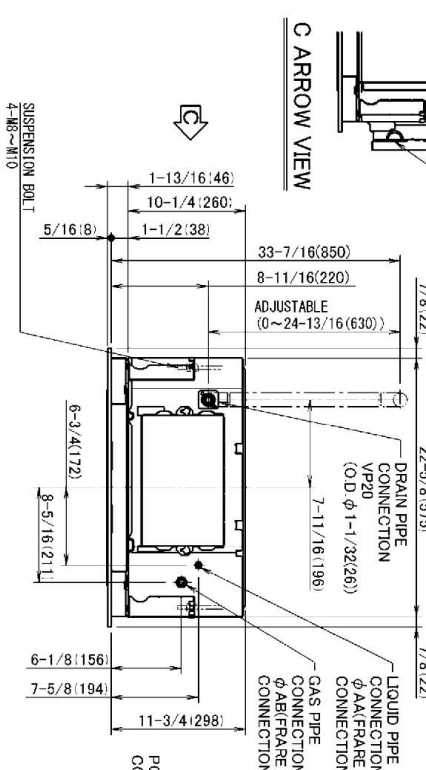
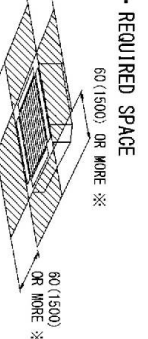
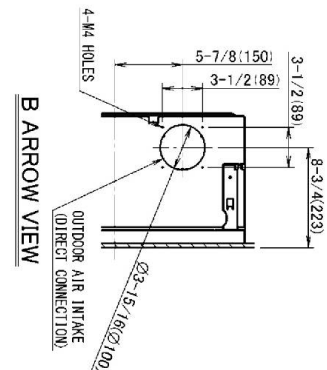
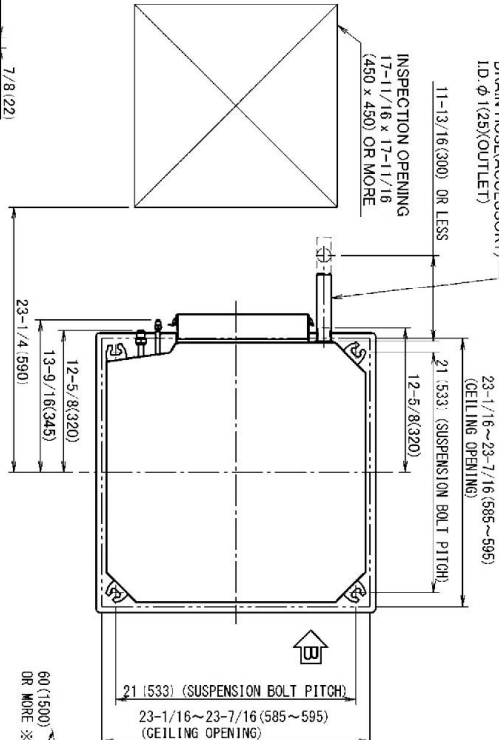
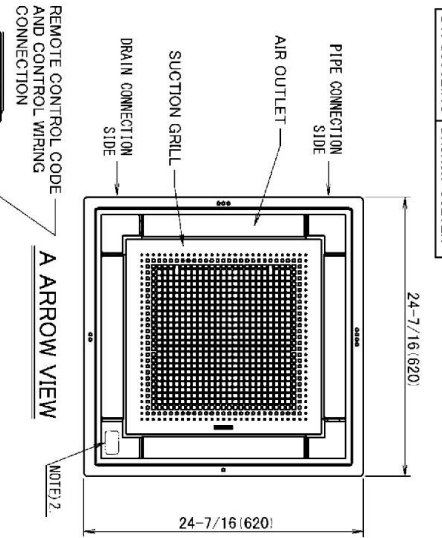
FFQ12Q2VJU Dimensional Data



• DECORATION PANEL

BYF060C2M1W	FRESH WHITE NO.5
BYF060C2M1S	DAIKIN SILVER

UNIT:inch(mm)



- NOTE: 1. STICKING LOCATION FOR MANUFACTURE'S LABEL
 MANUFACTURE'S LABEL FOR INDOOR UNIT: ON THE BELL MOUTH INSIDE SUCTION GRILLE
 MANUFACTURE'S LABEL FOR DECORATION PANEL: ON THE INNER FRAME INSIDE SUCTION GRILLE
 2. IN CASE OF USING WIRELESS REMOTE CONTROLLER, THE POSITION WILL BE A SIGNAL RECEIVER.
 3. REFER TO THE DRAWING OR WIRELESS REMOTE CONTROLLER IN DETAIL.
 4. WHEN THE TEMPERATURE AND HUMIDITY IN THE CEILING EXCEEDS 88°C(190°F) AND RH 80% OR THE FRESH AIR INTAKE FILTER THICKNESS IS 15(40) OR MORE OF GROSSING OR POLYESTER FIBER, INSULATION IS REQUIRED. THROUGH THE INSTALLATION IS ACCEPTABLE UP TO MAXIMUM OF 23-7/16(595) SQUARE CEILING OPENING. KEEP THE CLEARANCE OF 3/8(10) OR LESS BETWEEN THE MAIN UNIT AND THE CEILING OPENING SO THAT THE PANEL OVERLAP ALLOWANCE CAN BE ENSURED.

MODEL	AA	AB
FFQ090Q2VJU	1/4(6.4)	3/8(9.5)
FFQ12Q2VJU		1/2(12.7)
FFQ15Q2VJU		
FFQ18Q2VJU		

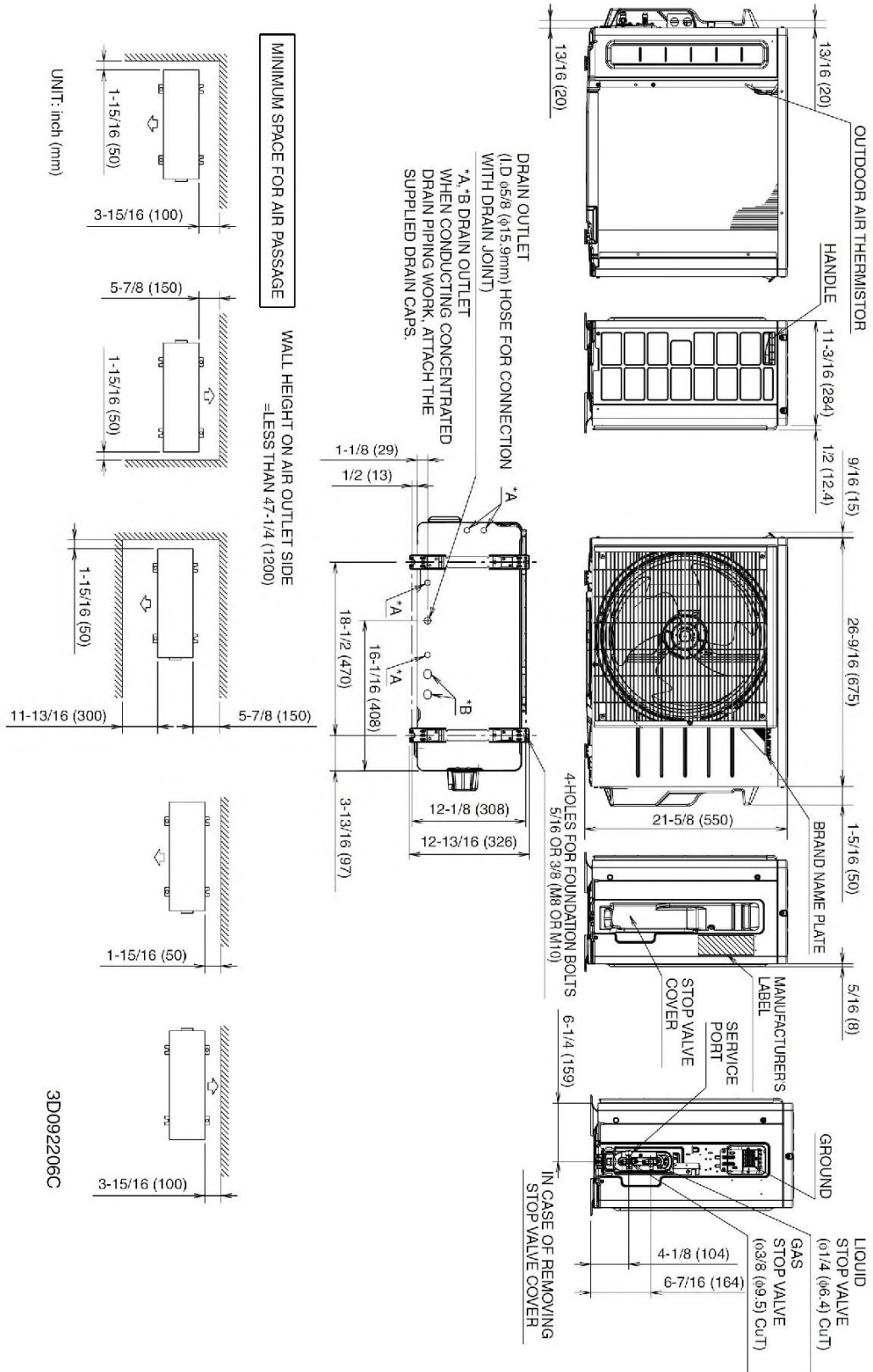
3D106039

Daikin North America LLC 5151 San Felipe, Suite 500 Houston, TX 77056

(Daikin's products are subject to continuous improvements. Daikin reserves the right to modify product design, specifications and information in this data sheet without notice and without incurring any obligations)

Submission Creation Date: June 2019

RX12RMVJU9 Dimensional Data



Daikin North America LLC 5151 San Felipe, Suite 500 Houston, TX 77056

(Daikin's products are subject to continuous improvements. Daikin reserves the right to modify product design, specifications and information in this data sheet without notice and without incurring any obligations)

Indoor Unit – One Controller & Decoration Panel are Required

Included	Part Number	Description
	BRC1E73	Wired Navigation Remote Controller
	BRC082A42W	Wireless Remote Controller (White)
	BRC082A42S	Wireless Remote Controller (Silver)
	BYFQ60C2W1S	Low Profile Decoration Panel (Silver) - $1-13/16 \times 24-7/16 \times 24-7/16$
	BYFQ60C2W1W	Low Profile Decoration Panel (White) - $1-13/16 \times 24-7/16 \times 24-7/16$
	BRYQ60A2S	Sensor kit (Silver) Intelligent Eye, Comfort Airflow, and Floor Sensor
	BRYQ60A2W	Sensor kit (White) Intelligent Eye, Comfort Airflow, and Floor Sensor
	BDBHQ44C60	Sealing member of air discharge outlet
	KAFQ441BA60	Long-life filter
	DACA-CP2-1	Maxi Orange Condensate Pump
	DACA-CP3-1	Mini Condensate Pump 5 gph
	AZAI6WSCDKA	DKN Cloud Wi-Fi Adaptor

Outdoor Unit

Included	Part Number	Description
	DACA-WB-1	Powder-Coated Wall-Mounted Bracket
	KPW937E4	Low Ambient Wind Baffle /Air Adjustment Grille (09 & 12)
	KEH067A41E	Drain Pan Heater
	KKG067A41	Back protection wire net (09 & 12)
	KPS067A41	Snow hood (intake side plate) (09 & 12)
	KPS067A42	Snow hood (intake rear place) (09 & 12)
	KPS067A44	Snow hood (outlet) (09 & 12)
	KKP937A4	Drain Plug for OD Unit