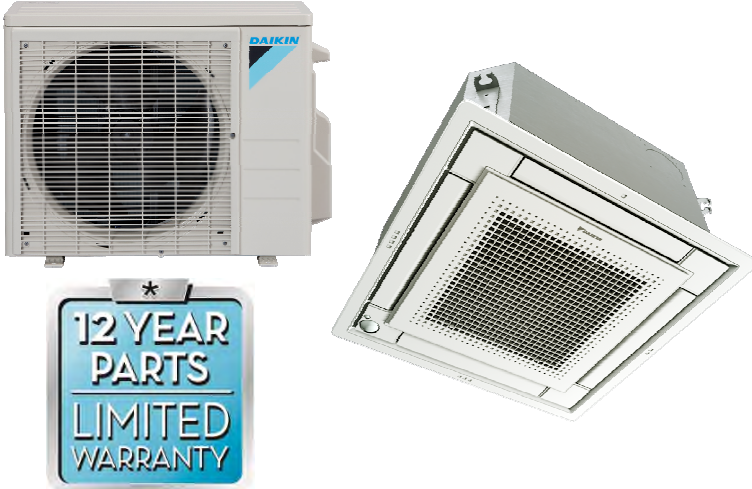


Job Name:	
Tag#	



Submittal Data Sheet	FFQ15Q2VJU / RX15RMVJU
1.25-Ton Ceiling Mounted Heat Pump System	



Complete warranty details available from your local dealer or at www.daikincomfort.com. To receive the 12-Year Parts Limited Warranty, online registration must be completed within 60 days of installation. Online registration is not required in California or Quebec. *If product is installed in a commercial application, limited warranty period is 5 years.*

Indoor Specifications

Airflow Rate (cfm)	Cooling		Heating	
	H	M	H	M
	420	367	441	385
	L		L	
	293		307	
Sound (dBA) H / M / L	40 / 37 / 31		40 / 37 / 10	
Dimensions (H x W x D) (in)	10-1/4 x 22-5/8 x 22-5/8			
Weight (Lbs)	36			

Outdoor Specifications

Compressor	Hermetically Sealed Swing Type			
Refrigerant	R-410A			
Factory Charge (Lbs)	2.49			
Refrigerant Oil	PVE (FVC50K)			
Airflow Rate (cfm)	Cooling		Heating	
	H	M	H	M
		2,313		2,108
Sound Pressure Level (dBA)	50 / 51			
Dimensions (H x W x D) (in)	28-15/16 x 34-1/4 x 12-5/18			
Weight (Lbs)	97			

Efficiency

Cooling		Heating	
SEER	20.70	HSPF	11.0
EER	12.5	COP	3.86

Performance

Cooling (Btu/hr)	
Rated (Min/Max)	14,400 (5,100 / 16,200)
Sensible @ AHRI	9,820
Standard Operating Range	50°F – 115°F
Extended Operating Range*	-4°F – 115°F

Rated Cooling Conditions: Indoor: 80°F DB/67°F WB
Outdoor: 95°F DB/75°F WB

*With field settings and wind baffle

Heating (Btu/hr)	
1: @ 47° Rated (Min/Max)	16,200 (5,200 / 16,300)
2: @ 17° Rated	10,600
3: @ 5°	7,230
Operating Range	5°F – 65°F

1: Rated Heating Conditions: Indoor: 70°F DB/60°F WB
Outdoor: 47°F DB/43°F WB
2: Rated Heating Conditions: Indoor: 70°F DB/60°F WB
Outdoor: 17°F DB/15°F WB
3: Heating Conditions: Indoor: 70°F DB/60°F WB
Outdoor: 5°F DB/5°F WB

Electrical

	208/60/1	230/60/1
System MCA	9.7	9.7
System MFA	15	15
Compressor RLA	8.0	8.0
Outdoor fan motor FLA	.31	.31
Outdoor fan motor W	91	91
Indoor fan motor FLA	.28	.28
Indoor fan motor W	50	50

MFA: Max. fuse amps MCA: Min. circuit amps (A) FLA: Full load amps (A)
RLA: Rated load amps (A) W: Fan motor rated output (W)

Piping

Liquid (in)	1/4
Gas (in)	1/2
Drain (in)	1-1/32
Max. Interunit Piping Length (ft)	98.4
Max. Interunit Height Difference (ft)	65.625
Chargeless (ft)	32.8
Additional Charge of Refrigerant (oz/ft)	.21

Daikin North America LLC 5151 San Felipe, Suite 500 Houston, TX 77056

(Daikin's products are subject to continuous improvements. Daikin reserves the right to modify product design, specifications and information in this data sheet without notice and without incurring any obligations)

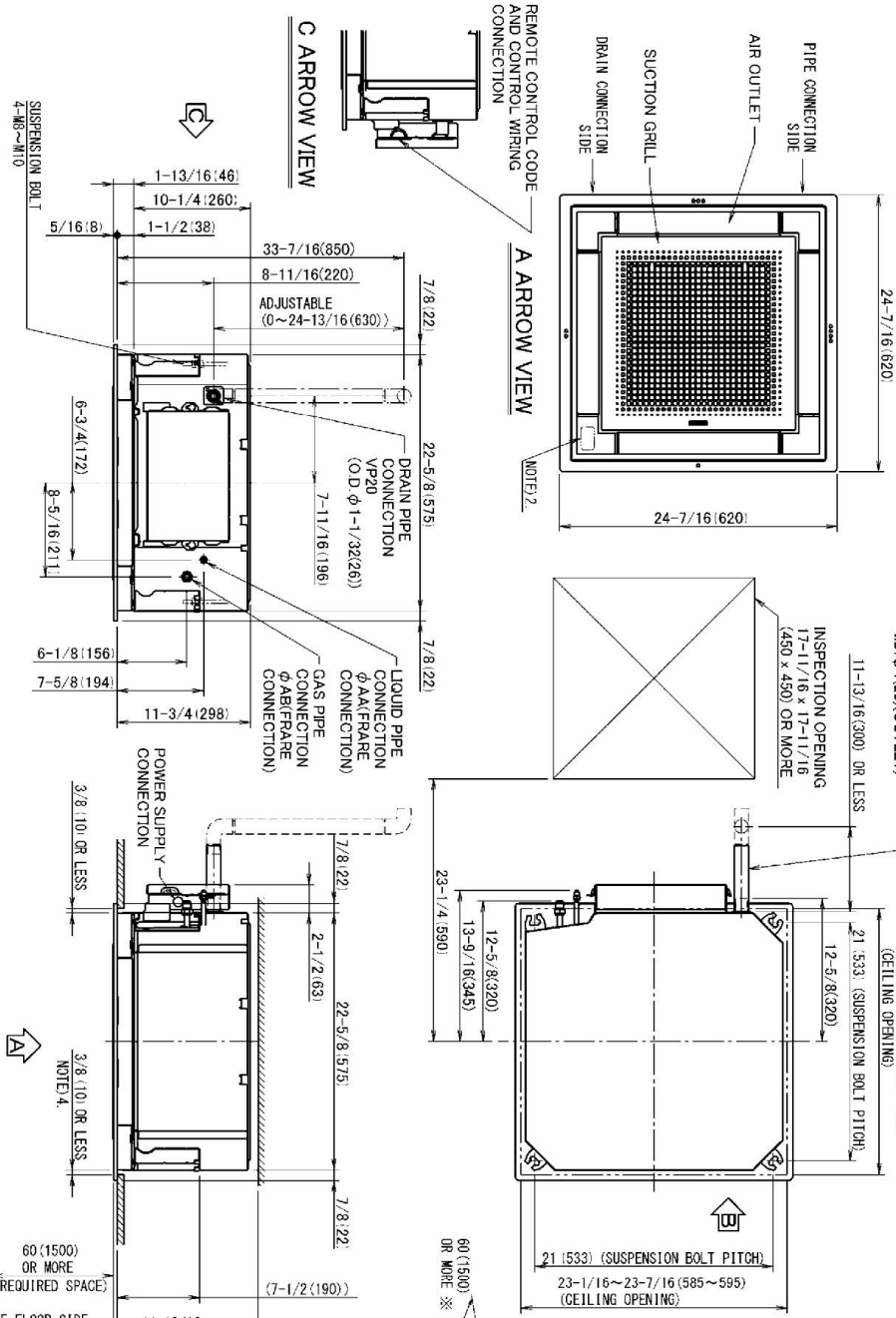
FFQ15Q2VJU Dimensional Data



DECORATION PANEL

BYF060C2M1W	FRESH WHITE W9.5
BYF060C2M1S	DAIKIN SILVER

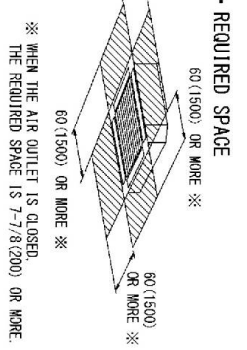
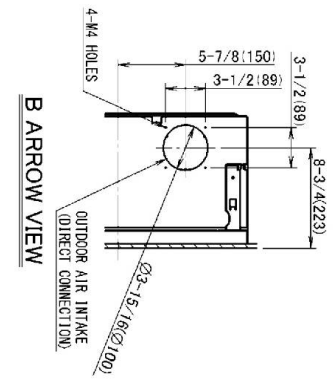
UNIT: inch(mm)



- NOTE 1. STOCKING LOCATION FOR MANUFACTURE'S LABEL
MANUFACTURE'S LABEL FOR INDOOR UNIT: ON THE BELL MOUTH INSIDE SUCTION GRILLE
MANUFACTURE'S LABEL FOR DECORATION PANEL: ON THE INNER FRAME INSIDE SUCTION GRILLE
2. IN CASE OF USING WIRELESS REMOTE CONTROLLER THIS POSITION WILL BE A SIGNAL RECEIVER
REFER TO THE DRAWING OF WIRELESS REMOTE CONTROLLER IN DETAIL
3. WHEN THE TEMPERATURE AND HUMIDITY IN THE CEILING EXCEED 88 (200°F), AND RH 80% OR THE FRESH AIR IS INTRODUCED THROUGH THE CEILING OR THE UNIT OF CONDENSATION FROM GENERAL AIR AND BEING INSULATED THROUGH THE CEILING, THE UNIT OF CONDENSATION FROM GENERAL AIR AND BEING INSULATED THROUGH THE CEILING IS ACCEPTABLE UP TO MAXIMUM OF 23-7/16 (585) SQUARE CEILING OPENING. KEEP THE CLEARANCE OF 3/8 (10) OR LESS BETWEEN THE MAIN UNIT AND THE CEILING OPENING SO THAT THE PANEL OVERLAP ALLOWANCE CAN BE ENSURED.

MODEL	AA	AB
FFQ0902VJU	1/4 (6.4)	3/8 (9.5)
FFQ1202VJU		
FFQ1502VJU		1/2 (12.7)
FFQ1802VJU		

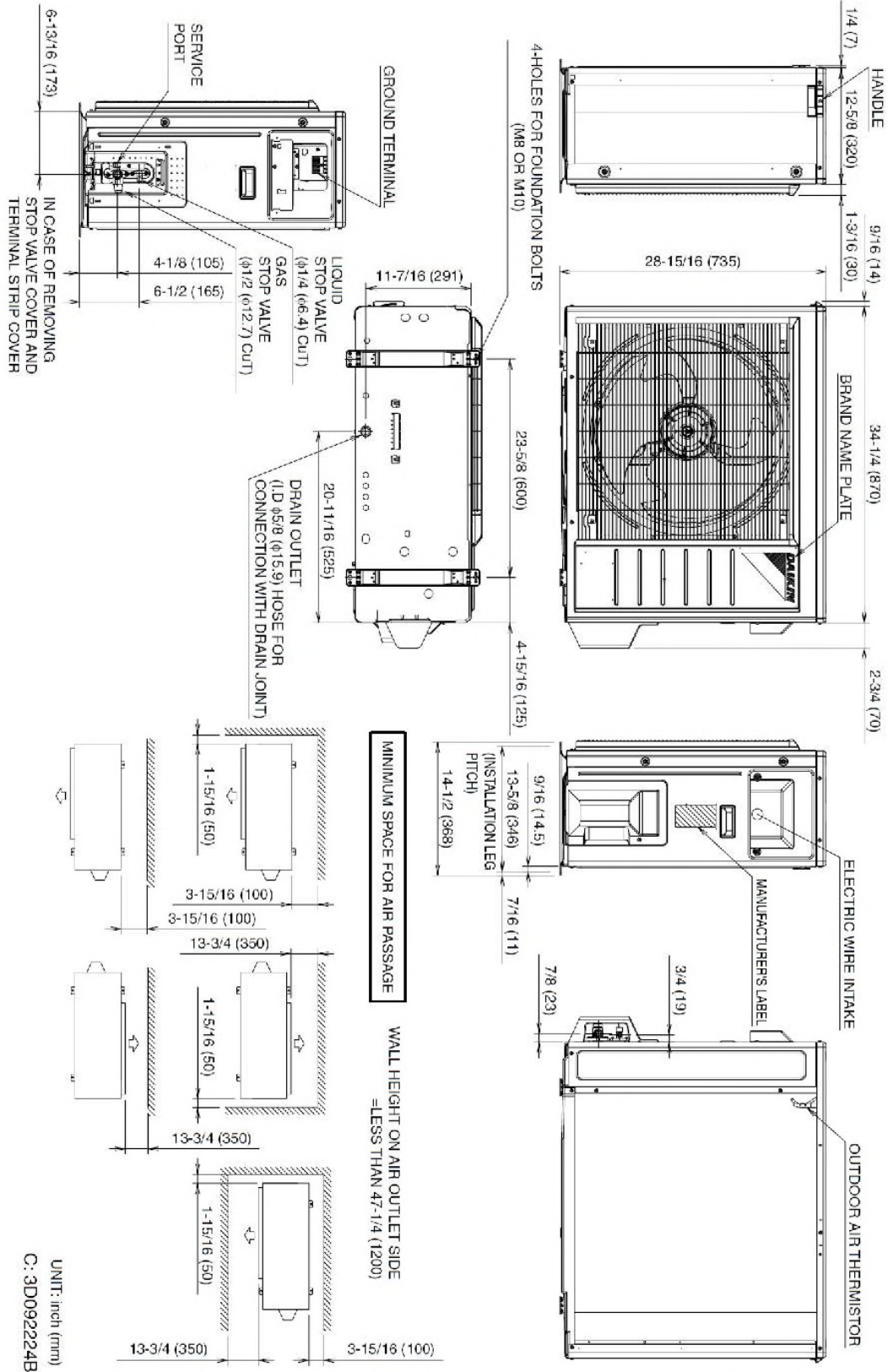
3D106039



Daikin North America LLC 5151 San Felipe, Suite 500 Houston, TX 77056

(Daikin's products are subject to continuous improvements. Daikin reserves the right to modify product design, specifications and information in this data sheet without notice and without incurring any obligations)

RX15RMVJU Dimensional Data



Daikin North America LLC 5151 San Felipe, Suite 500 Houston, TX 77056

(Daikin's products are subject to continuous improvements. Daikin reserves the right to modify product design, specifications and information in this data sheet without notice and without incurring any obligations)

Required & Optional Accessories



Indoor Unit – One Controller & Decoration Panel are Required

Included	Part Number	Description
	BRC1E73	Wired Navigation Remote Controller
	BRC082A42W	Wireless Remote Controller (White)
	BRC082A42S	Wireless Remote Controller (Silver)
	BYFQ60C2W1S	Low Profile Decoration Panel (Silver) - $1-13/16 \times 24-7/16 \times 24-7/16$
	BYFQ60C2W1W	Low Profile Decoration Panel (White) - $1-13/16 \times 24-7/16 \times 24-7/16$
	BRYQ60A2S	Sensor kit (Silver) Intelligent Eye, Comfort Airflow, and Floor Sensor
	BRYQ60A2W	Sensor kit (White) Intelligent Eye, Comfort Airflow, and Floor Sensor
	BDBHQ44C60	Sealing member of air discharge outlet
	KAFQ441BA60	Long-life filter
	DACA-CP2-1	Maxi Orange Condensate Pump
	DACA-CP3-1	Mini Condensate Pump 5 gph
	AZAI6WSCDKA	DKN Cloud Wi-Fi Adaptor

Outdoor Unit

Included	Part Number	Description
	DACA-WB-1	Powder-Coated Wall-Mounted Bracket
	DPW063A4	Low Ambient Wind Baffle /Air Adjustment Grille (15 & 18)
	KEH063A4E	Drain Pan Heater
	KKG063A42	Back protection wire net (15 & 18)
	KPS063A41	Snow hood (intake side plate) (15 & 18)
	KPS063A44	Snow hood (intake rear plate) (15 & 18)
	KPS063A47	Snow hood (outlet) (15 & 18)
	KKP937A4	Drain Plug for OD Unit

Daikin North America LLC 5151 San Felipe, Suite 500 Houston, TX 77056

(Daikin's products are subject to continuous improvements. Daikin reserves the right to modify product design, specifications and information in this data sheet without notice and without incurring any obligations)